



US00D445185S

(12) **United States Design Patent**
Najmi

(10) **Patent No.:** **US D445,185 S**

(45) **Date of Patent:** **** Jul. 17, 2001**

(54) **STETHOSCOPE HOLDER**

3,797,717 * 3/1974 Collins 224/230
5,692,657 * 12/1997 Kilo et al. 181/131

(75) Inventor: **Boman K Najmi**, Crofton, MD (US)

* cited by examiner

(73) Assignee: **BHS International, Inc.**, Crofton, MD (US)

Primary Examiner—Ian Simmons

(74) *Attorney, Agent, or Firm*—Rabin & Champagne, P.C.

(**) Term: **14 Years**

(57) **CLAIM**

(21) Appl. No.: **29/134,259**

The ornamental design for a stethoscope holder, as shown and described.

(22) Filed: **Dec. 19, 2000**

DESCRIPTION

(51) **LOC (7) Cl.** **24-02**

(52) **U.S. Cl.** **D24/134; D6/567**

(58) **Field of Search** D24/134, 128,
D24/127; D6/567; D3/203; D8/367; 181/131,
137; 224/269, 231, 230, 268; 248/300,
301, 304, 308

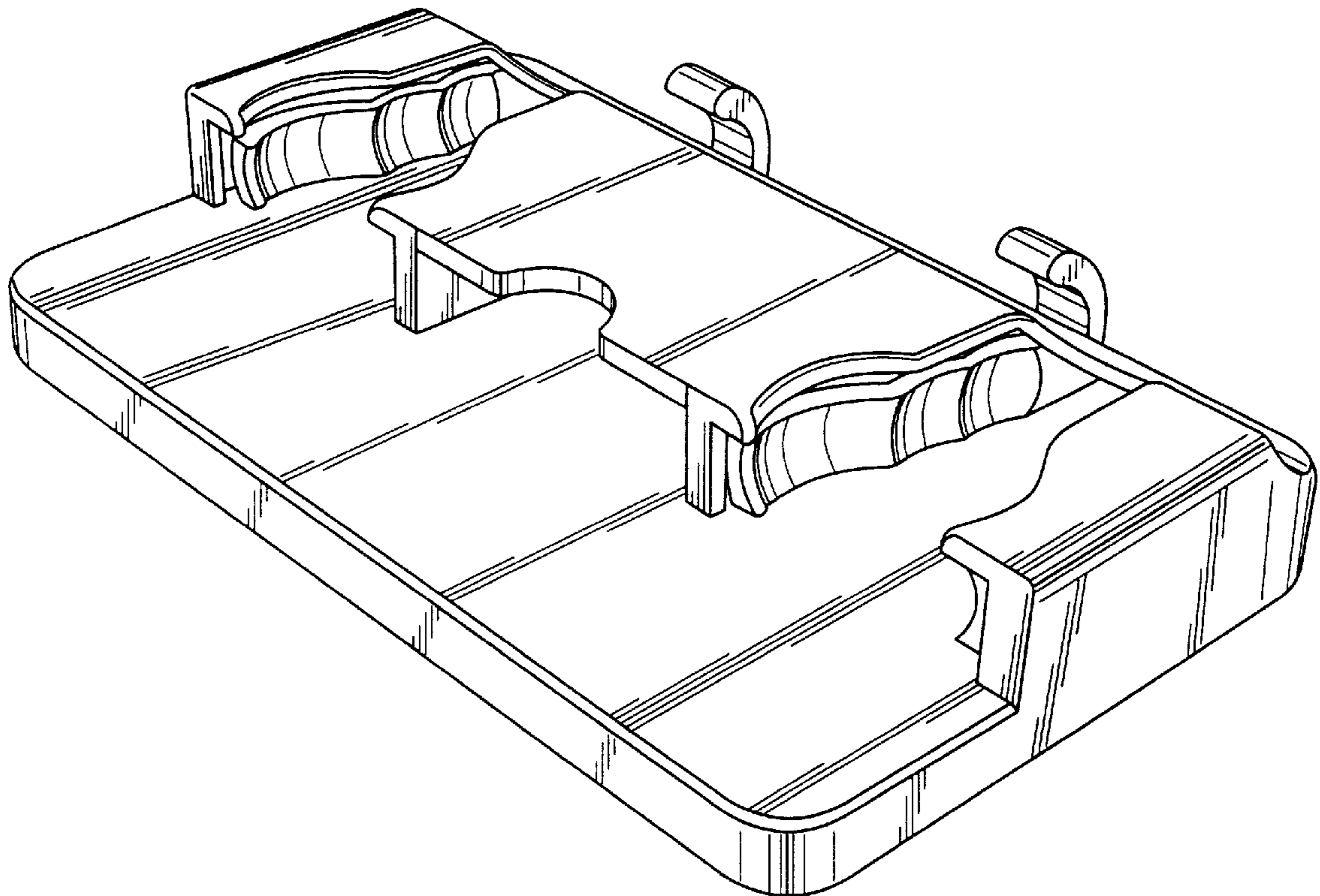
FIG. 1 is a front perspective view of a stethoscope holder showing my new design;
FIG. 2 is a front perspective view in extended position;
FIG. 3 is a front view thereof;
FIG. 4 is a rear view thereof;
FIG. 5 is a left side view thereof;
FIG. 6 is a right side view thereof;
FIG. 7 is a top view thereof; and,
FIG. 8 is a bottom view thereof.

(56) **References Cited**

U.S. PATENT DOCUMENTS

D. 229,514 * 12/1973 Einhorn D24/134
D. 425,353 * 5/2000 Foy D6/567

1 Claim, 3 Drawing Sheets



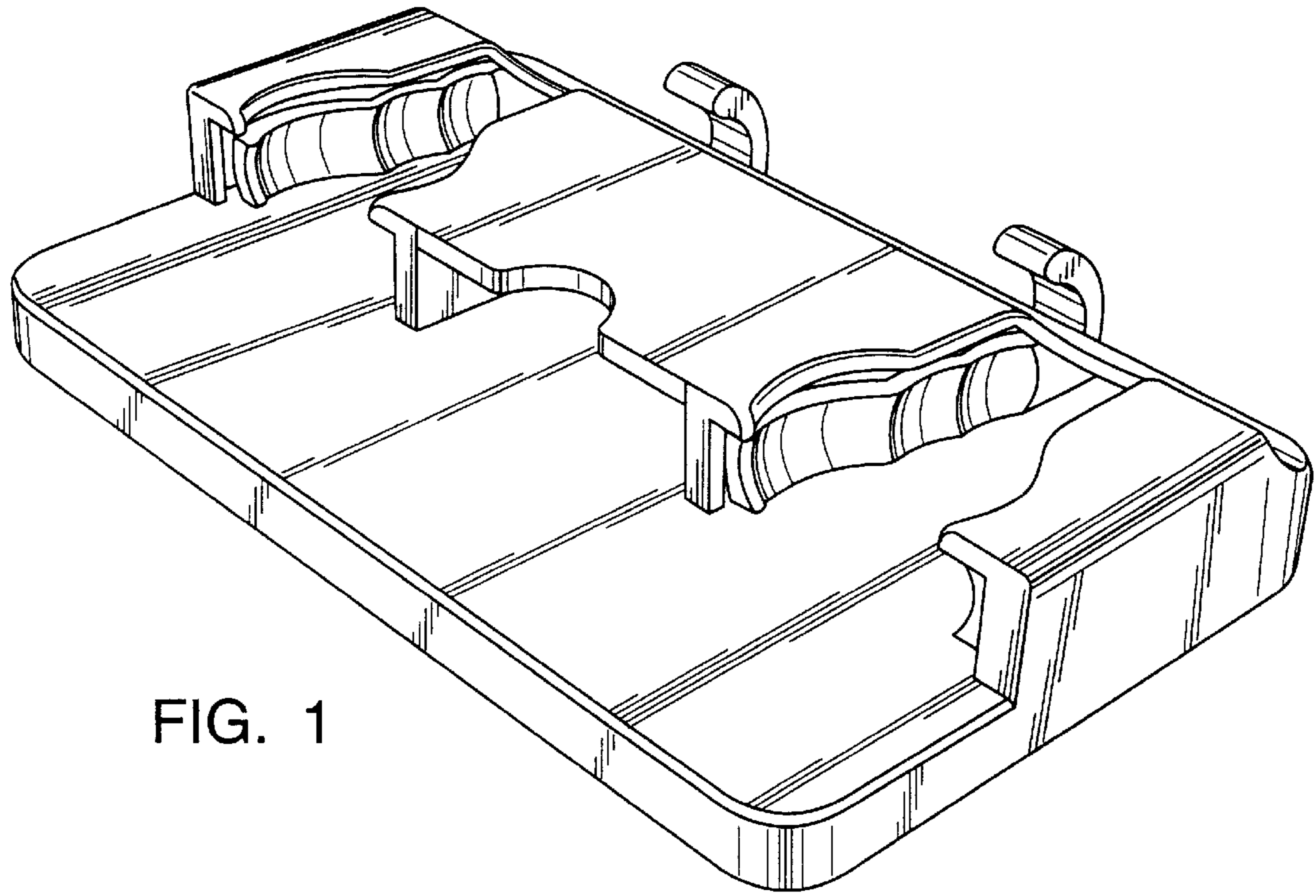


FIG. 1

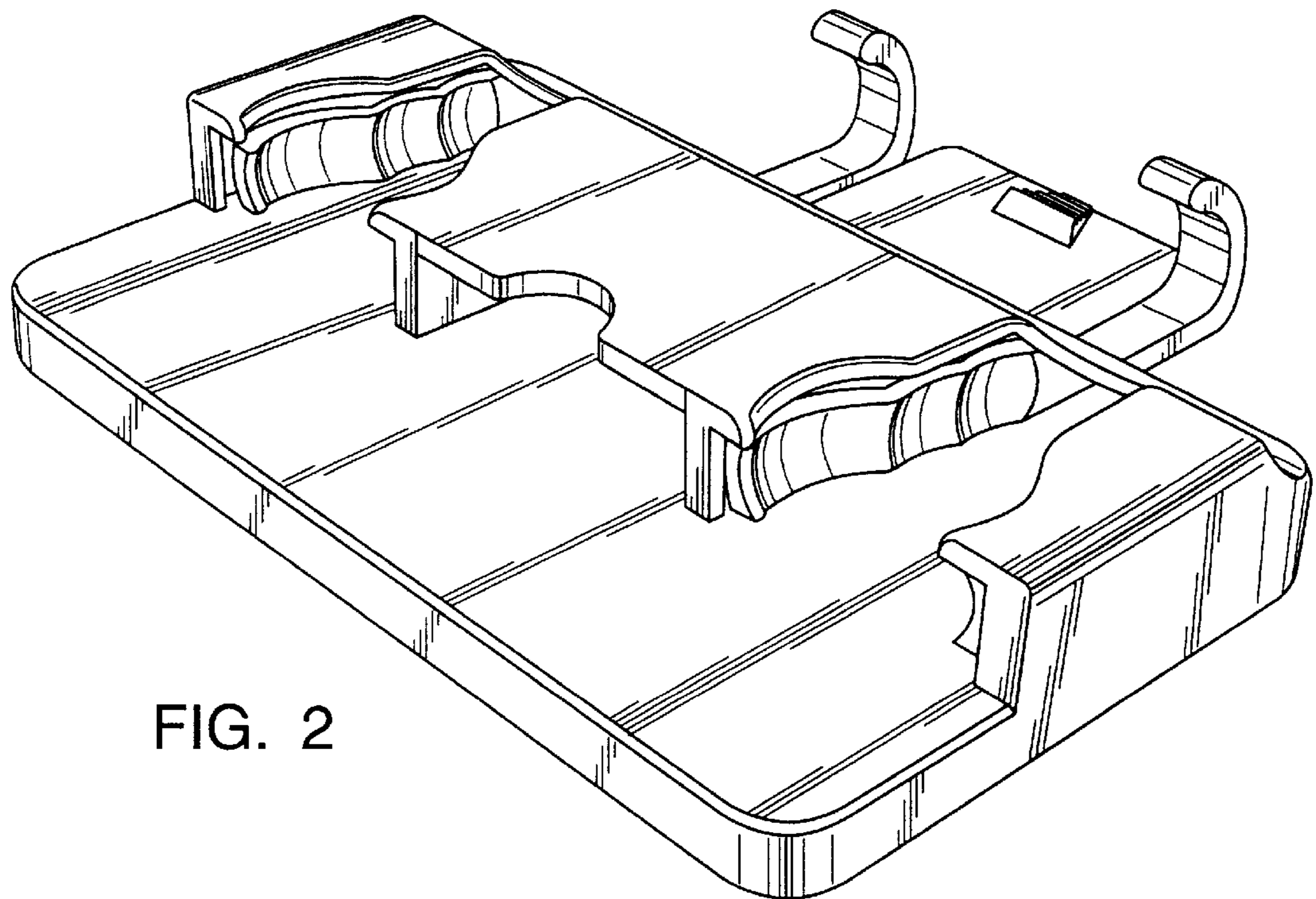


FIG. 2

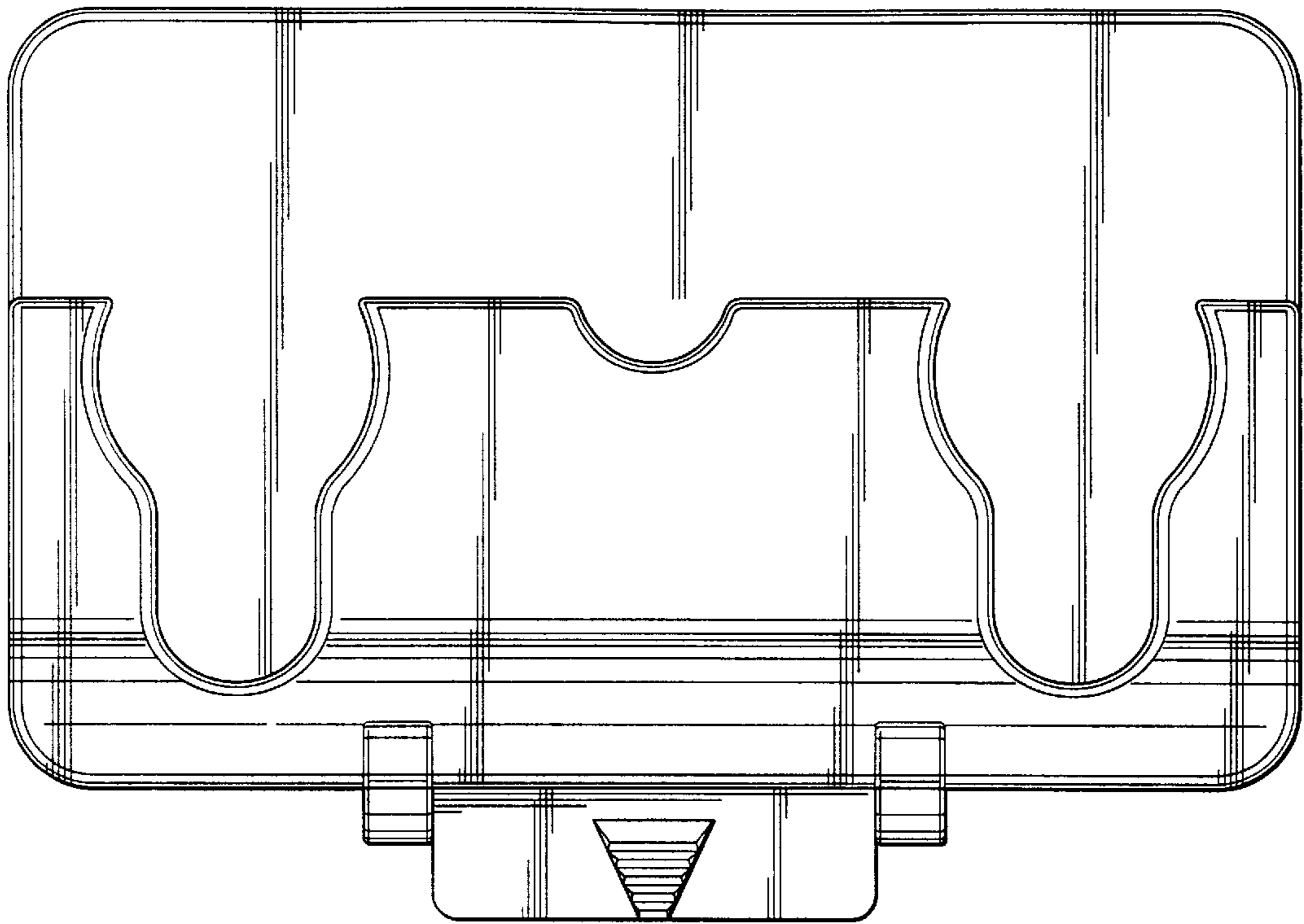


FIG. 3

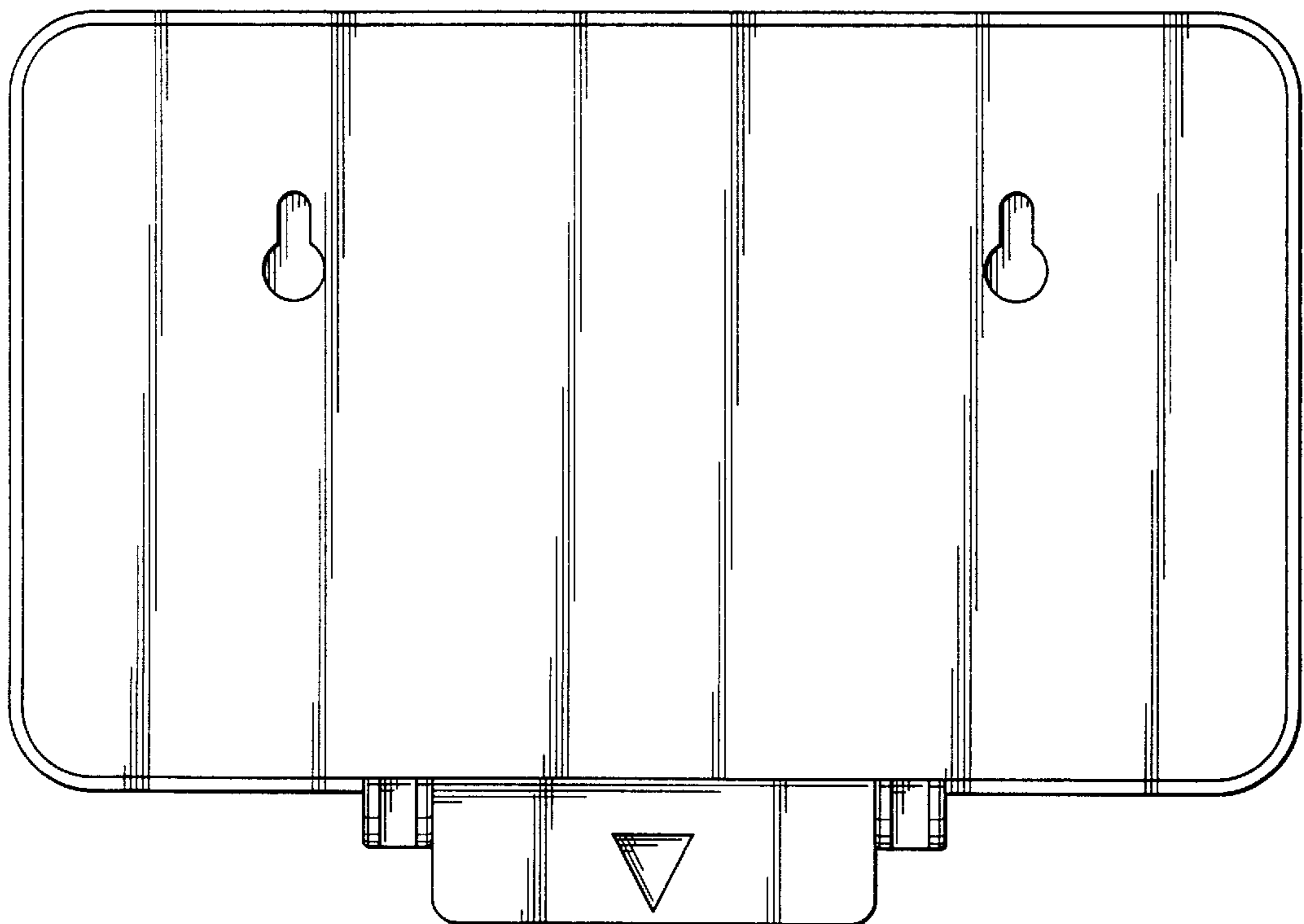


FIG. 4

FIG. 5

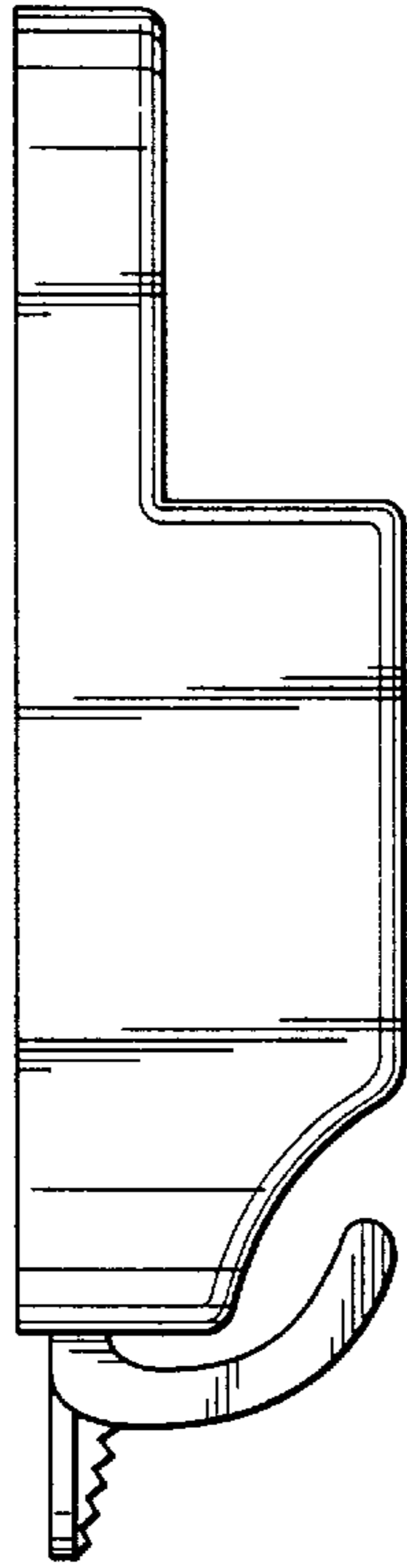


FIG. 6

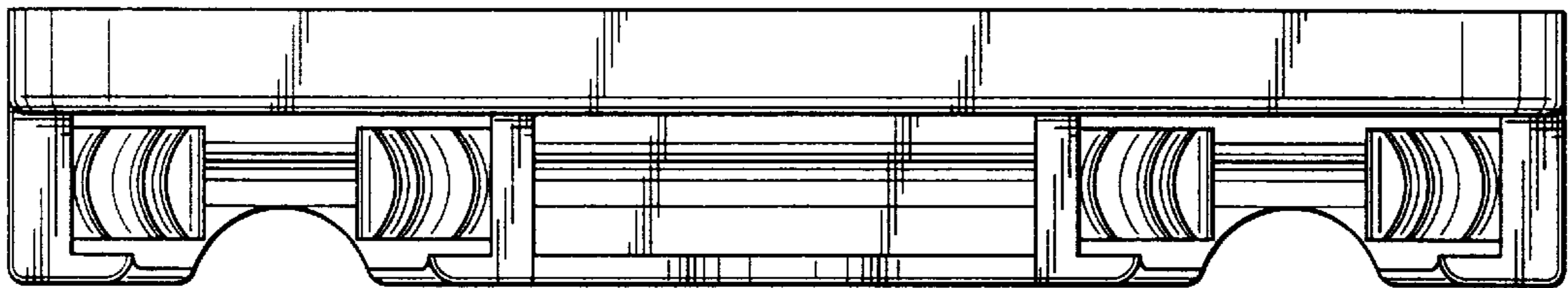
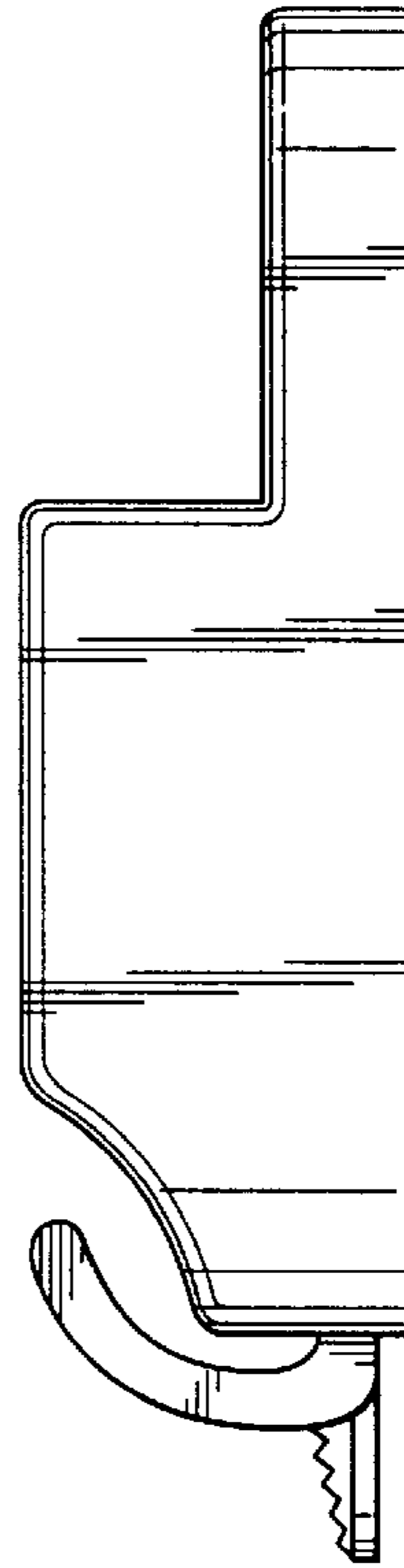


FIG. 7

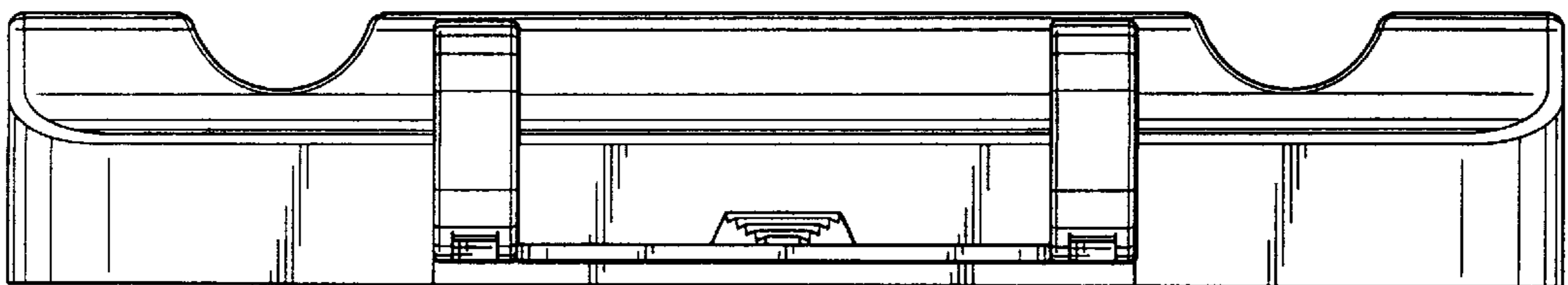


FIG. 8