



US00D445183S

(12) **United States Design Patent**
McWethy et al.

(10) **Patent No.:** **US D445,183 S**

(45) **Date of Patent:** **** Jul. 17, 2001**

(54) **NEEDLE-BEARING MEDICAL DEVICE**
(75) Inventors: **Robert T. McWethy**, Ventura; **Michael J. Botich**, Oxnard; **Thor R. Halseth**, Simi Valley, all of CA (US)

5,086,780 2/1992 Schmitt .
5,219,333 6/1993 Sagstetter .
5,353,806 * 10/1994 Heinzelman et al. 600/576
5,423,758 6/1995 Shaw .
5,810,775 9/1998 Shaw .
6,059,737 * 5/2000 Crawford 600/576

(73) Assignee: **MDC Investment Holdings, Inc.**, Wilmington, DE (US)

* cited by examiner

(**) Term: **14 Years**

Primary Examiner—Ian Simmons

(74) *Attorney, Agent, or Firm*—Dann, Dorfman, Herrell and Skillman; Stephen H. Eland

(21) Appl. No.: **29/122,595**

(22) Filed: **Apr. 28, 2000**

(57) **CLAIM**

The ornamental design for a needle-bearing medical device, as shown and described.

(51) **LOC (7) Cl.** **24-02**

(52) **U.S. Cl.** **D24/130; D24/147**

(58) **Field of Search** D24/112, 130, D24/113, 146; 604/198, 192, 410, 195, 196, 110; 600/576, 578, 577, 583; 263/363, 365, 364

DESCRIPTION

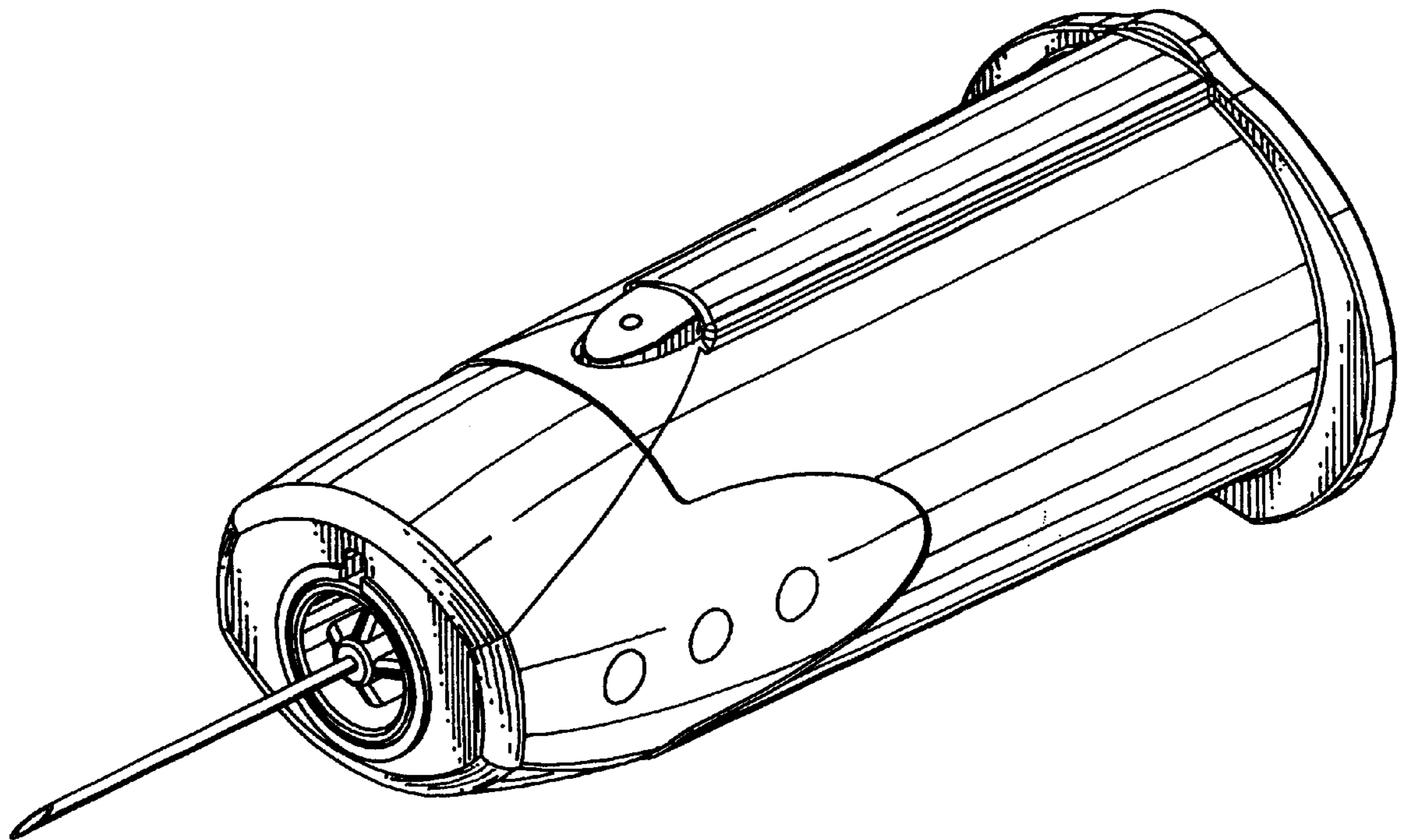
FIG. 1 is a front perspective view of a needle-bearing medical device showing our new design; FIG. 2 is a left-side view of the needle-bearing medical device shown in FIG. 1; FIG. 3 is a right-side view of the needle-bearing medical device shown in FIG. 1; FIG. 4 is a front elevational view of the needle-bearing medical device shown in FIG. 1, with the back view being substantially a mirror of the front view; FIG. 5 is a top plan view of the needle-bearing medical device shown in FIG. 1; and, FIG. 6 is a bottom plan view of the needle-bearing medical device shown in FIG. 1.

(56) **References Cited**

U.S. PATENT DOCUMENTS

D. 436,168 * 1/2001 Wilkinson et al. D24/130
D. 436,169 * 1/2001 Wilkinson et al. D24/130
4,813,426 3/1989 Haber .
4,841,985 * 6/1989 Wanamaker 600/576
4,846,808 7/1989 Haber .
4,850,374 7/1989 Diaz-Ramos .
4,915,702 4/1990 Haber .
4,947,863 8/1990 Haber .
5,067,490 11/1991 Haber .

1 Claim, 2 Drawing Sheets



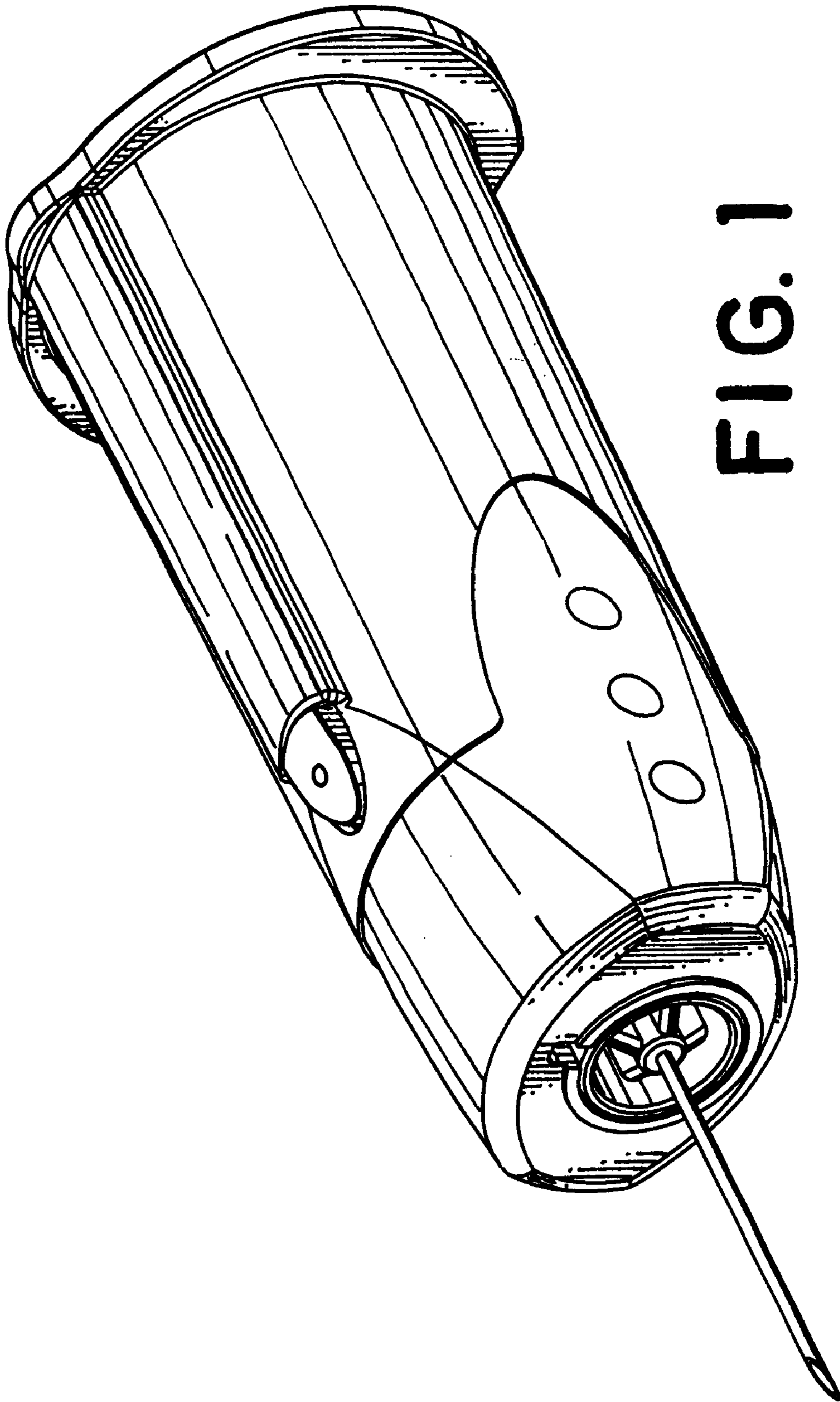


FIG. 1

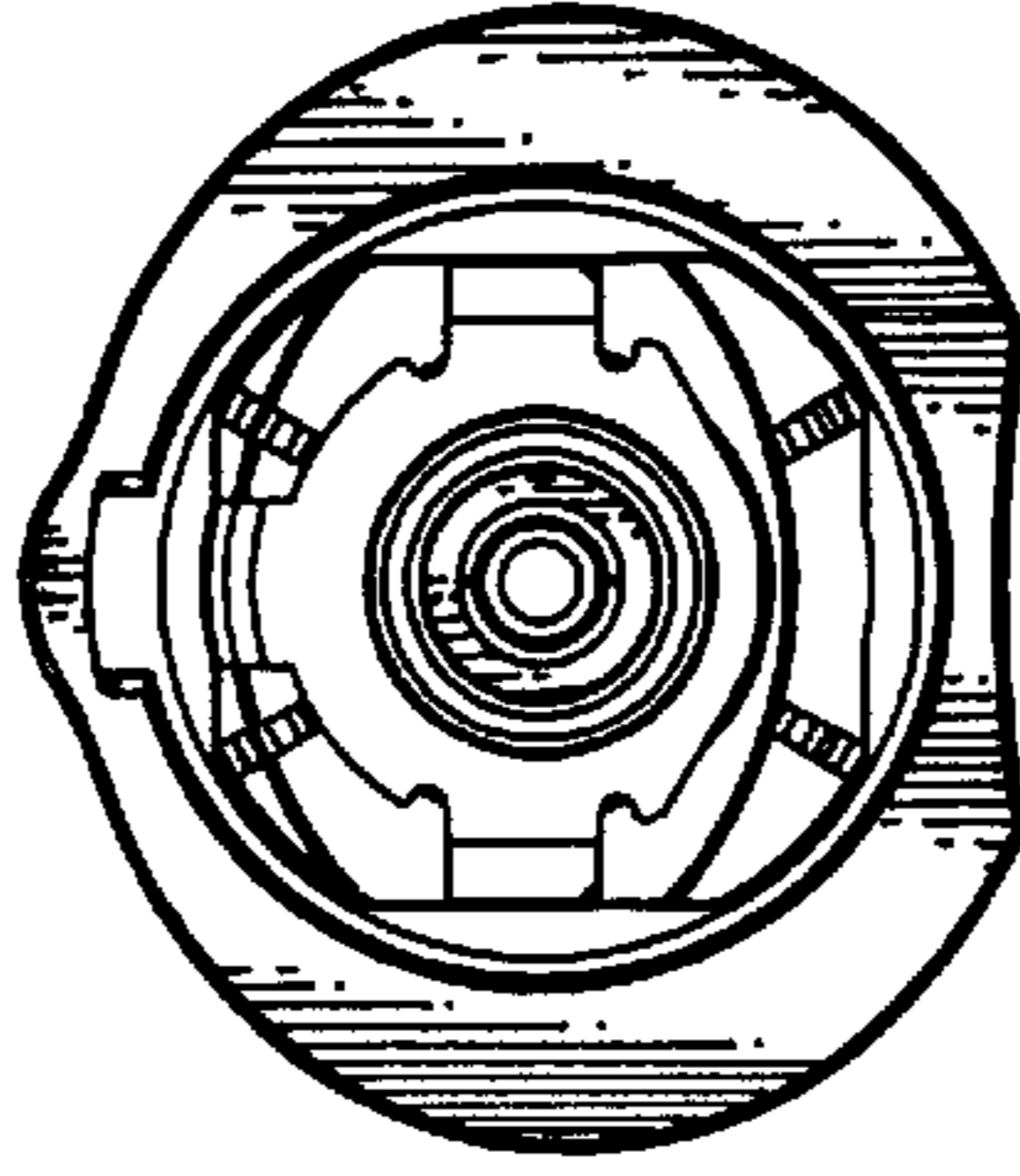


FIG. 3

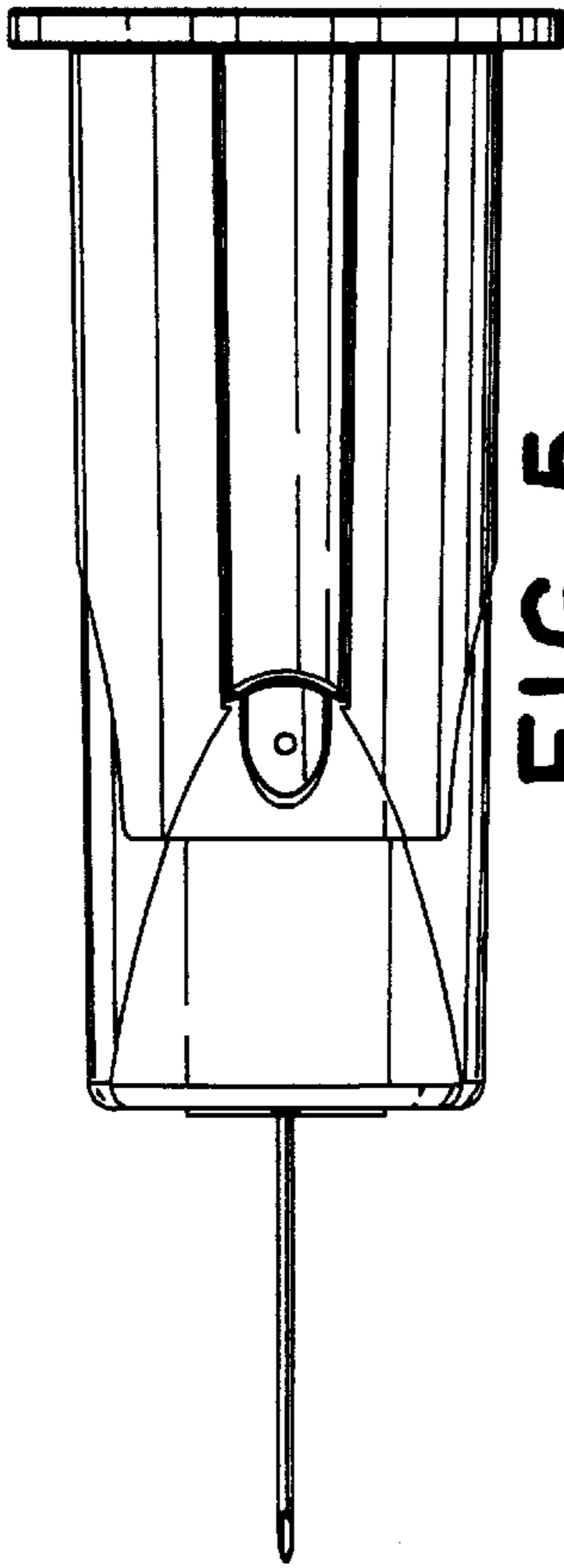


FIG. 5

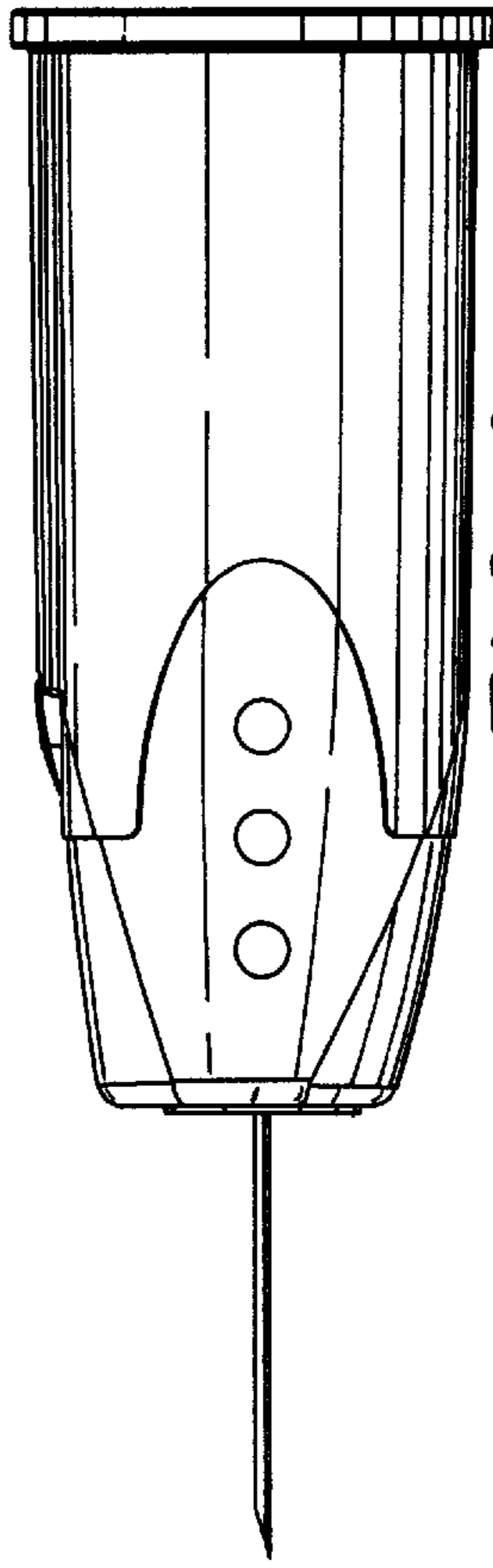


FIG. 4

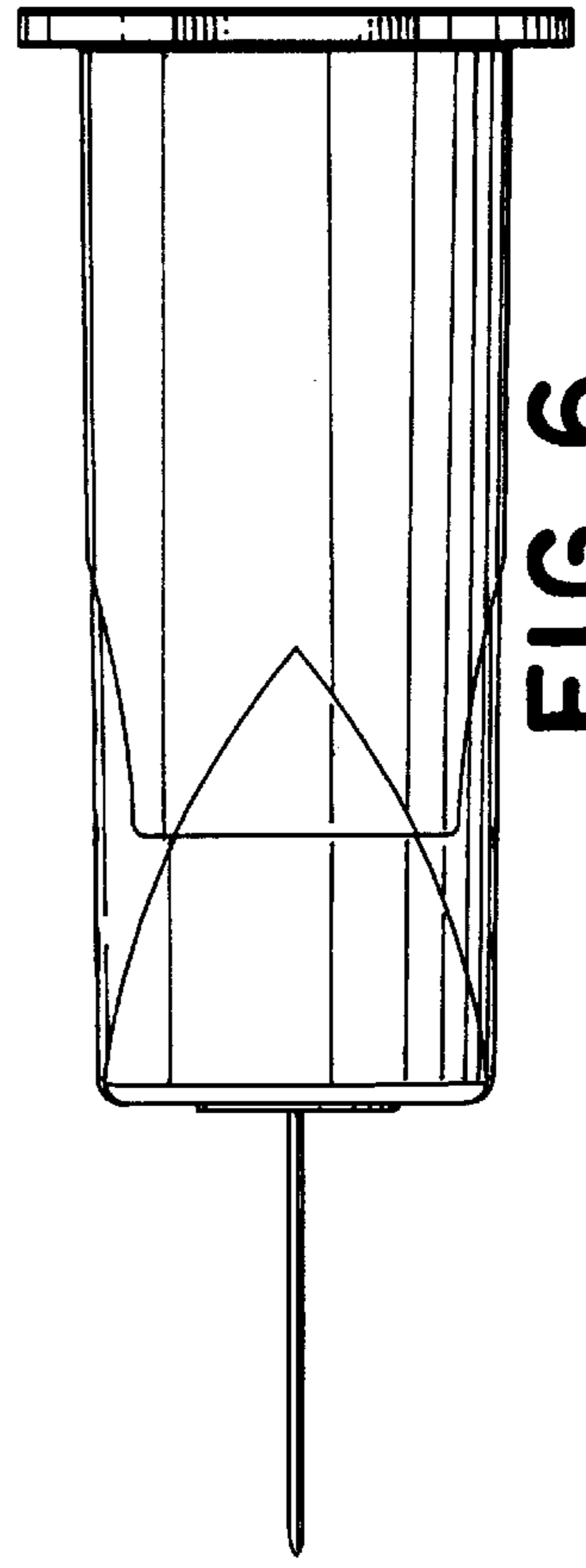


FIG. 6

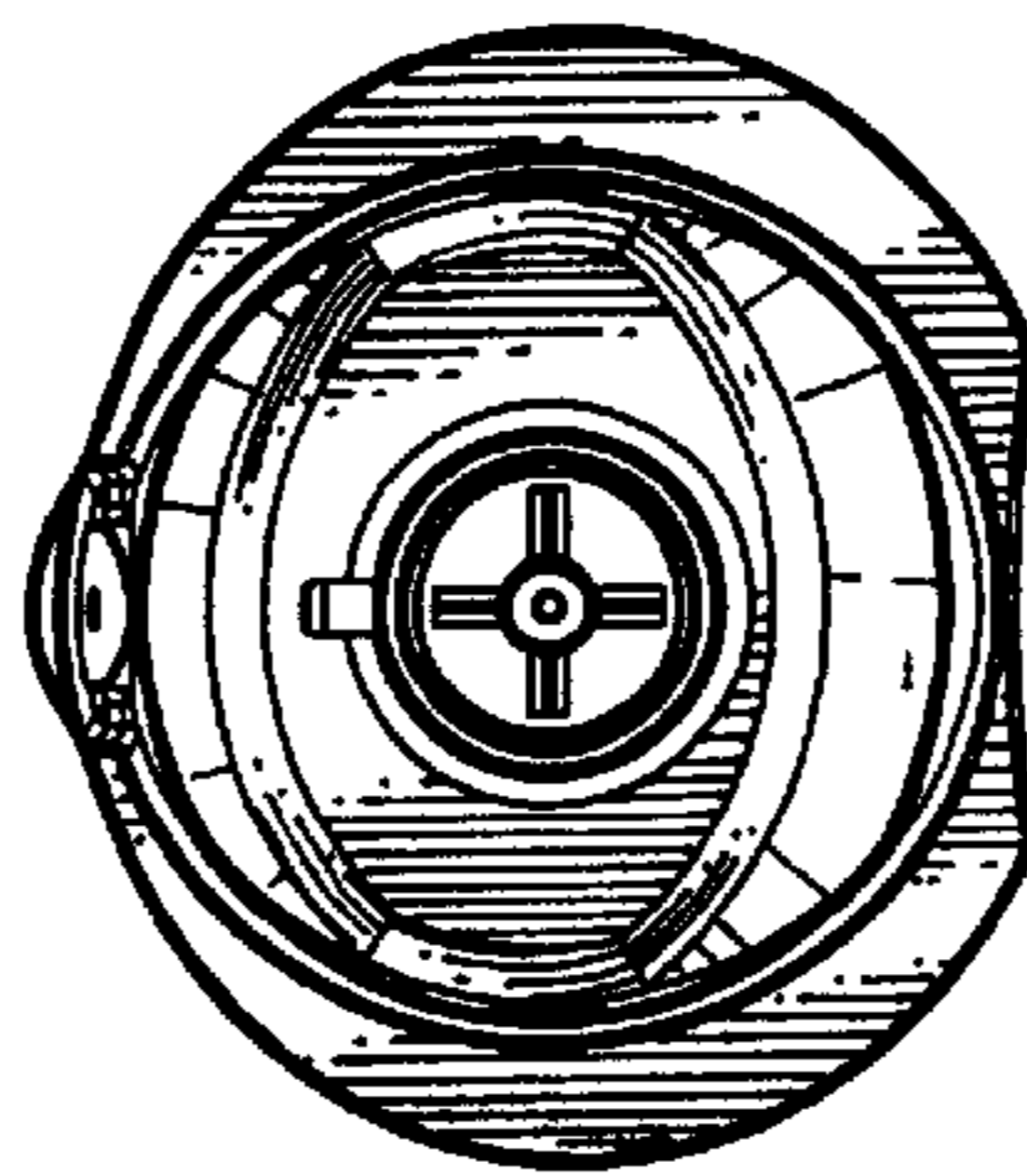


FIG. 2