



US00D445181S

(12) **United States Design Patent**
Kramer

(10) **Patent No.:** **US D445,181 S**

(45) **Date of Patent:** **** Jul. 17, 2001**

(54) **ABSORBENT PANTY LINER FOR A THONG**

5,388,275 * 2/1995 Oram 2/406
5,683,373 11/1997 Darby 604/385.1

(76) Inventor: **Marsha S. Kramer**, 4080 Beech Ave.,
Yorba Linda, CA (US) 92886

* cited by examiner

(**) Term: **14 Years**

Primary Examiner—Stella Reid

(74) *Attorney, Agent, or Firm*—Morland C. Fischer

(21) Appl. No.: **29/133,741**

(57) **CLAIM**

(22) Filed: **Dec. 4, 2000**

The ornamental design for an absorbent panty liner for a thong, as shown and described.

(51) **LOC (7) Cl.** **24-04**

DESCRIPTION

(52) **U.S. Cl.** **D24/125; D24/124**

(58) **Field of Search** D24/125, 124;
604/358, 384, 385.1, 386, 387, 389, 378;
2/406

FIG. 1 is a perspective view showing the top, left side and front of an absorbent panty liner for a thong which forms my new design, the broken lines which illustrate a thong being for purposes of example only and forming no part of my design;

(56) **References Cited**

U.S. PATENT DOCUMENTS

D. 392,736	*	3/1998	Erickson	D24/125
D. 395,504		6/1998	Darby	D24/125
D. 402,756		12/1998	Darby	D24/125
D. 424,195	*	5/2000	Talon	D24/125
D. 431,293		9/2000	Finkle	D24/125
D. 439,331	*	3/2001	Mitchell	D24/125
3,156,241	*	11/1964	Hyde et al.	604/402

FIG. 2 is a top plan view thereof;

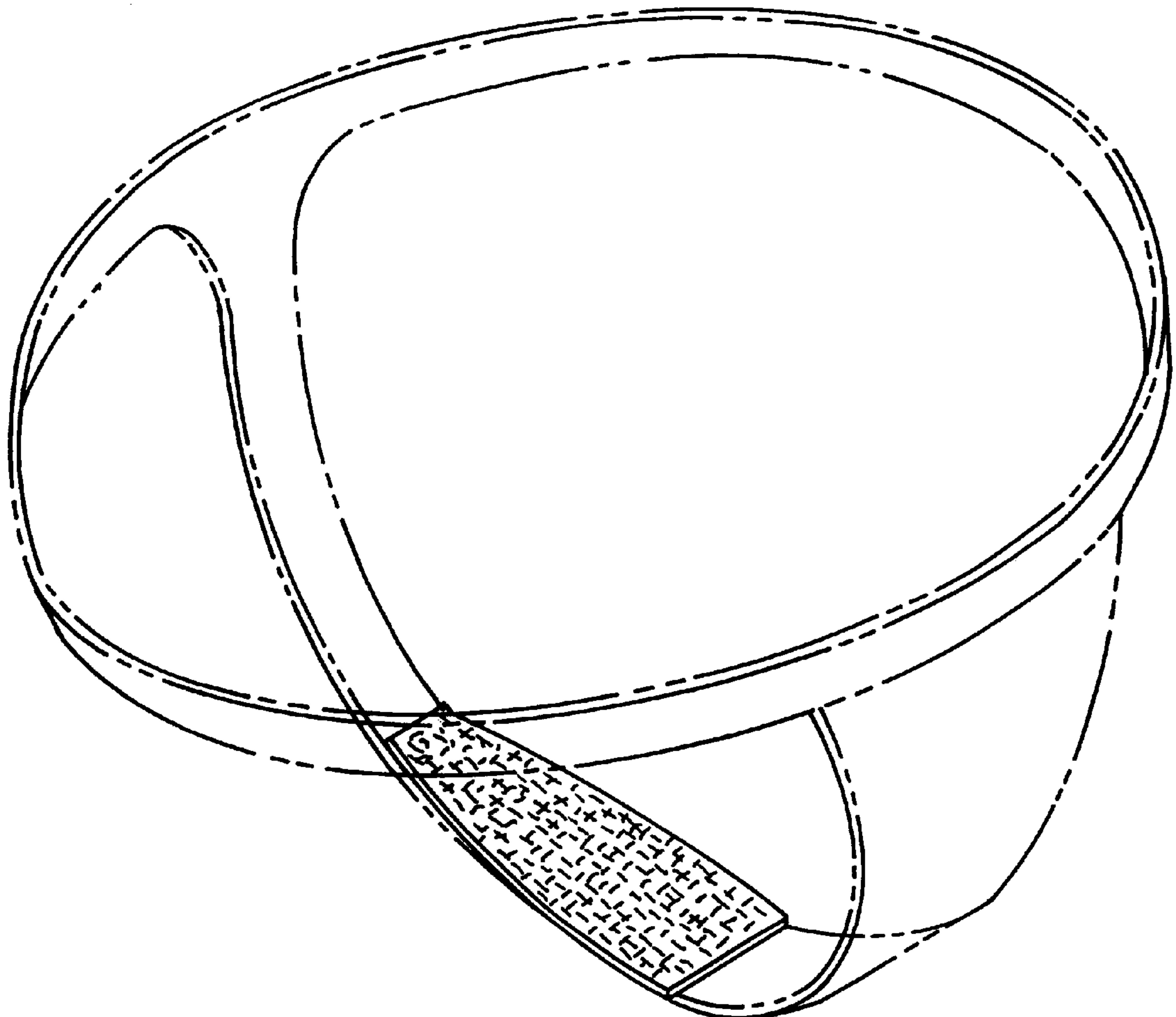
FIG. 3 is a bottom plan view thereof;

FIG. 4 is a left side elevation view thereof, this side and the opposite right side elevational view being mirror images;

FIG. 5 is a front elevational view thereof; and,

FIG. 6 is a rear elevation view thereof.

1 Claim, 3 Drawing Sheets



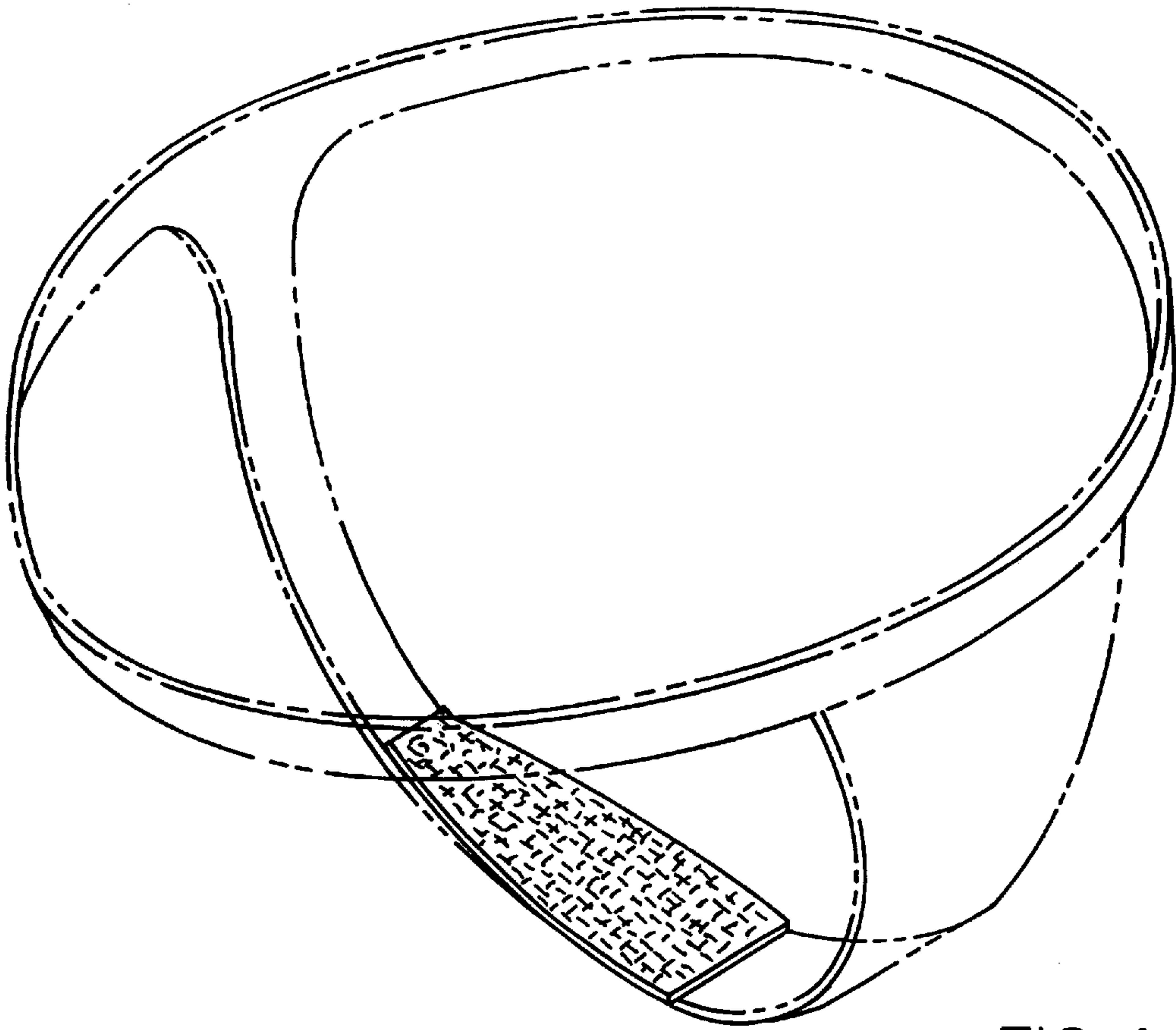


FIG. 1

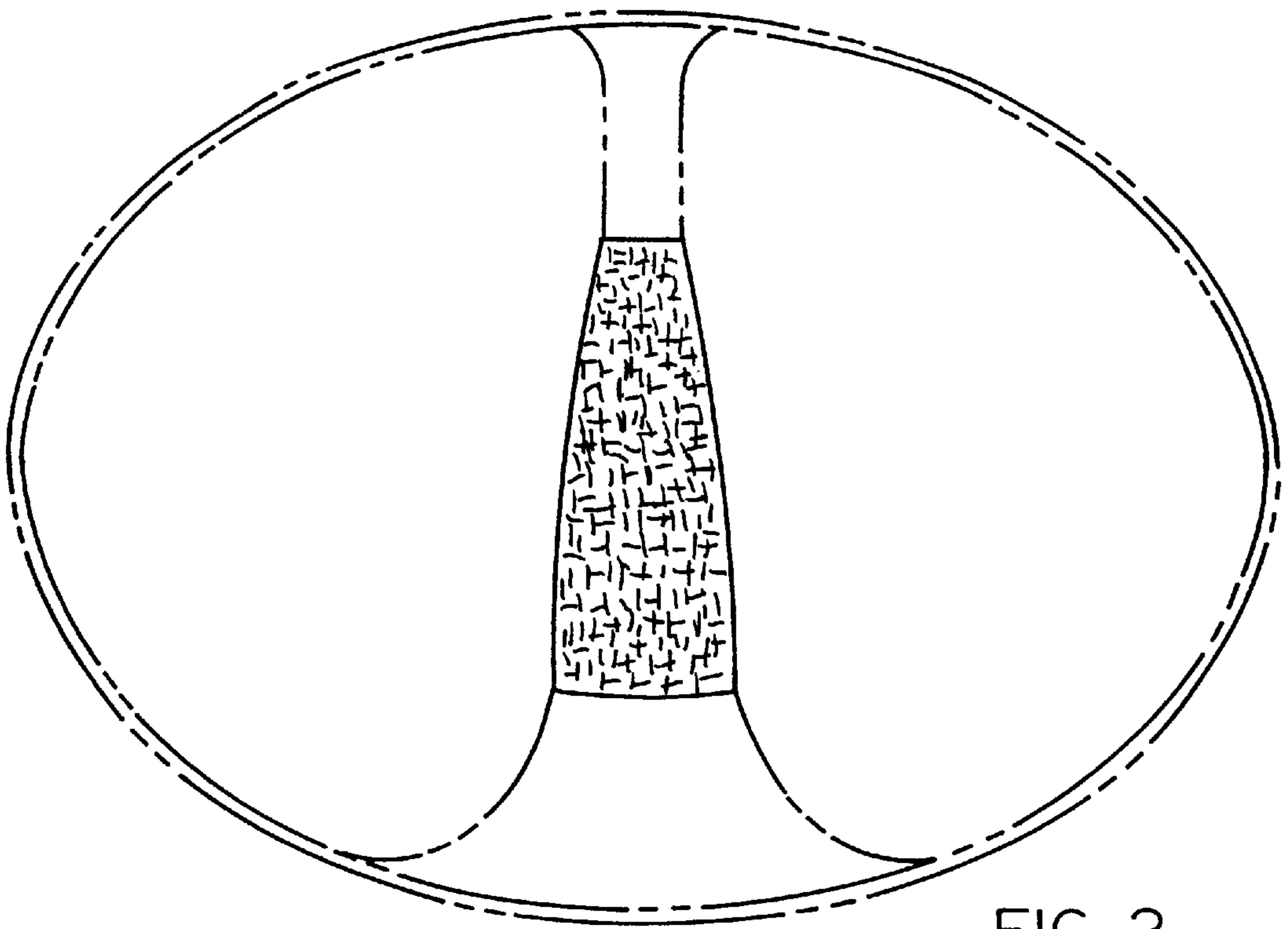


FIG. 2

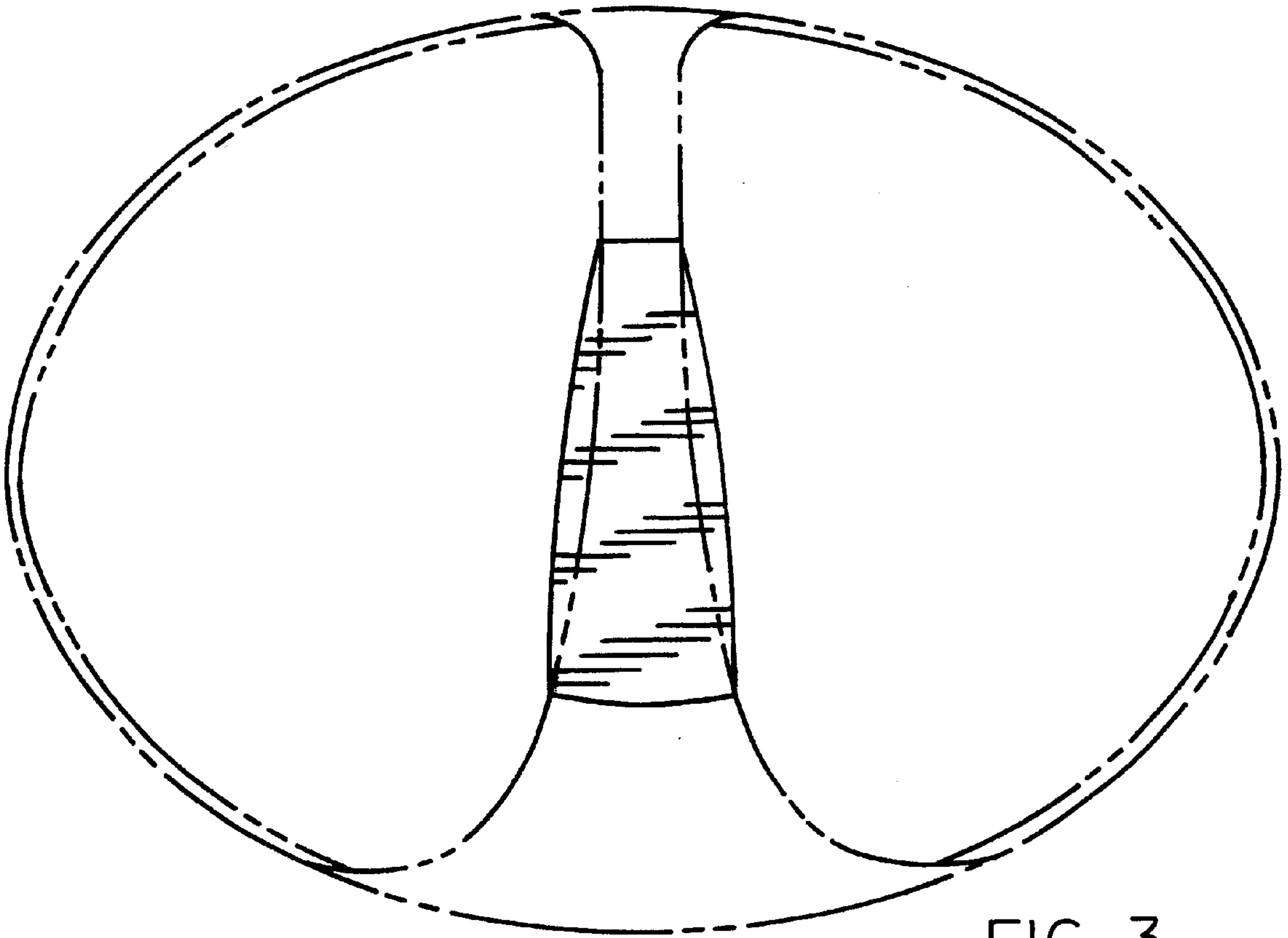


FIG. 3

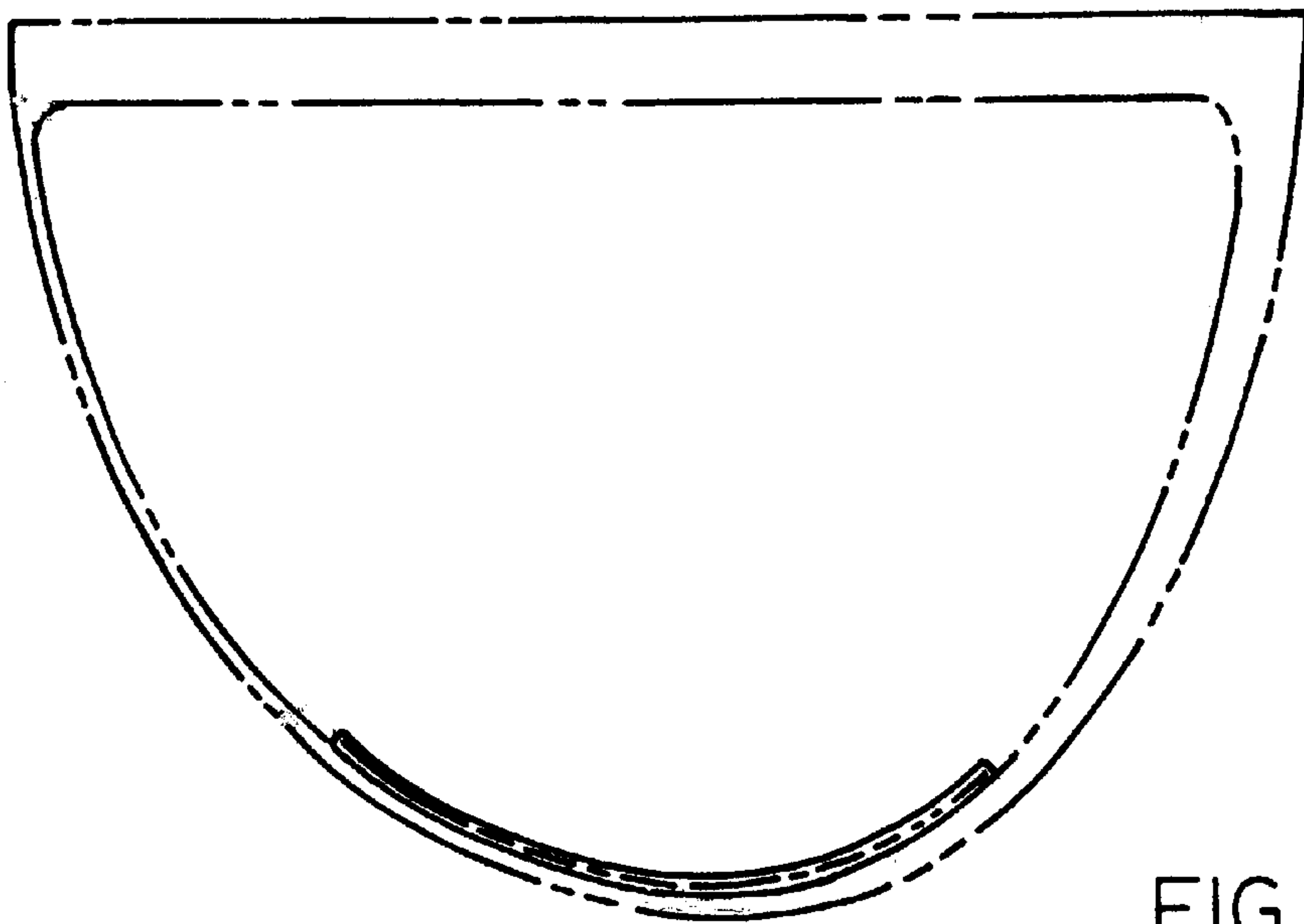


FIG. 4

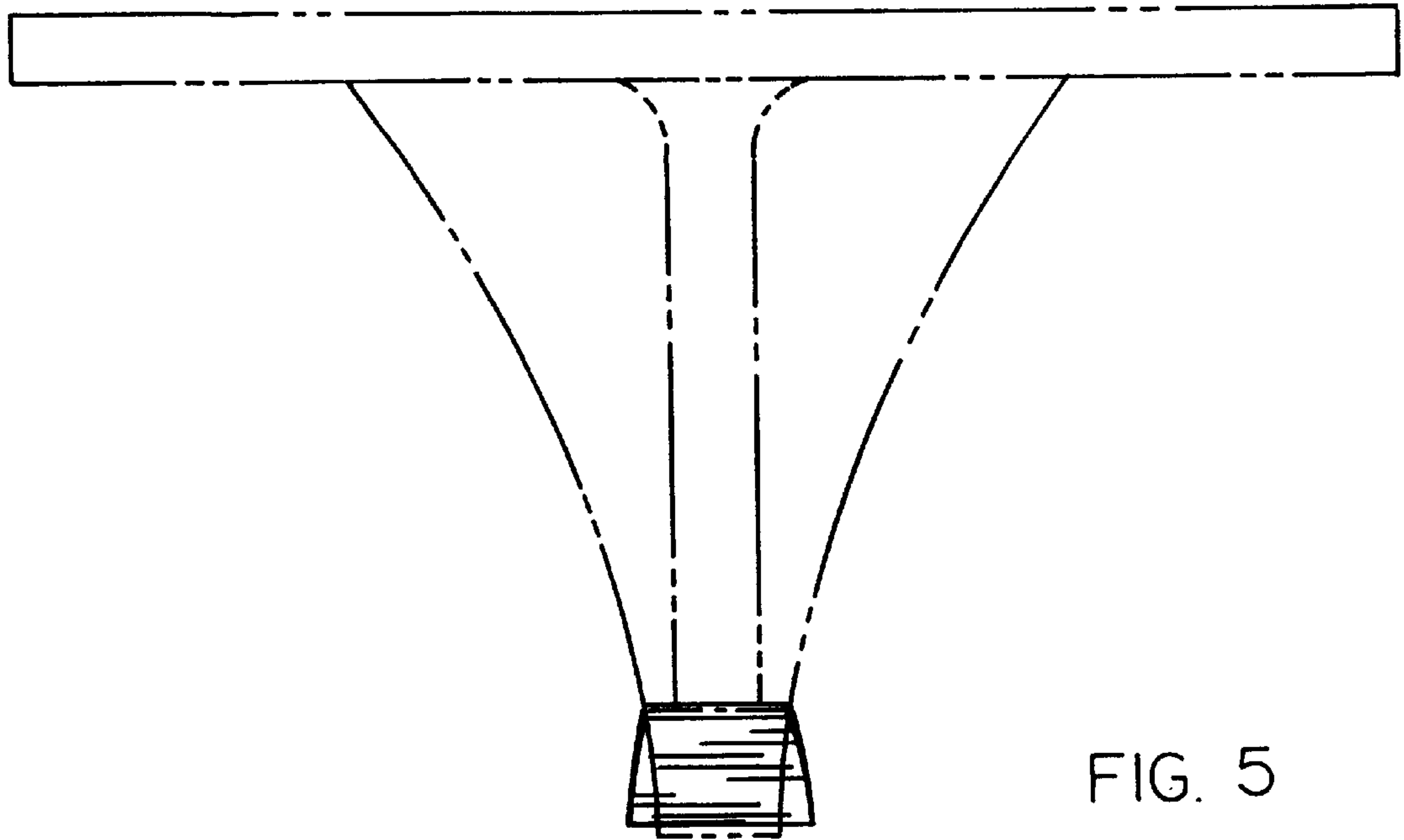


FIG. 5

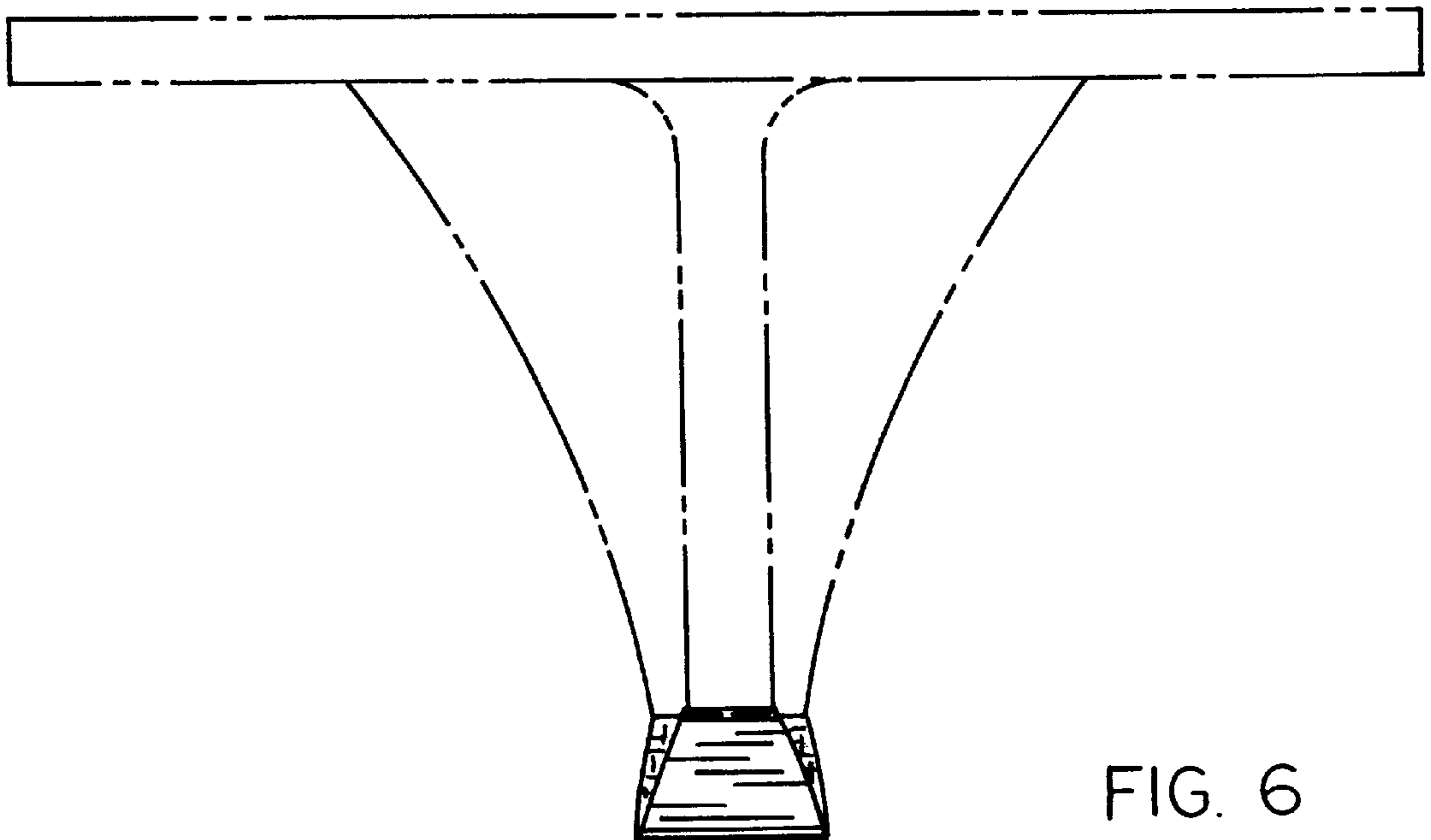


FIG. 6