



US00D445176S

(12) **United States Design Patent**  
**Landers**

(10) **Patent No.:** **US D445,176 S**

(45) **Date of Patent:** **\*\* Jul. 17, 2001**

(54) **MEDICATED CREAM AND OINTMENT DISPENSER WITH A RULED PISTON**

5,447,499 \* 9/1995 Allaire et al. .... 602/42  
5,746,349 5/1998 Puiteman et al. .  
6,176,326 \* 1/2001 David et al. .... 73/864.44

(76) **Inventor:** **Milton E. Landers**, 605 Wire Rd.,  
Huntsville, TX (US) 77340

**FOREIGN PATENT DOCUMENTS**

12132 of 1911 (GB) .

(\*\*) **Term:** **14 Years**

\* cited by examiner

(21) **Appl. No.:** **29/121,830**

*Primary Examiner*—Ian Simmons

(22) **Filed:** **Apr. 14, 2000**

(74) *Attorney, Agent, or Firm*—Stephen R. Greiner

(51) **LOC (7) Cl.** ..... **24-02**

(57) **CLAIM**

(52) **U.S. Cl.** ..... **D24/114; D24/112; D24/108;**  
**D24/120**

The ornamental design for a medicated cream and ointment dispenser with a ruled piston, as shown and described.

(58) **Field of Search** ..... D24/112, 113,  
D24/114, 141, 140, 119; 604/519, 15, 57,  
59, 38, 60, 514, 515, 518, 218, 210, 73,  
42; 73/864.44

**DESCRIPTION**

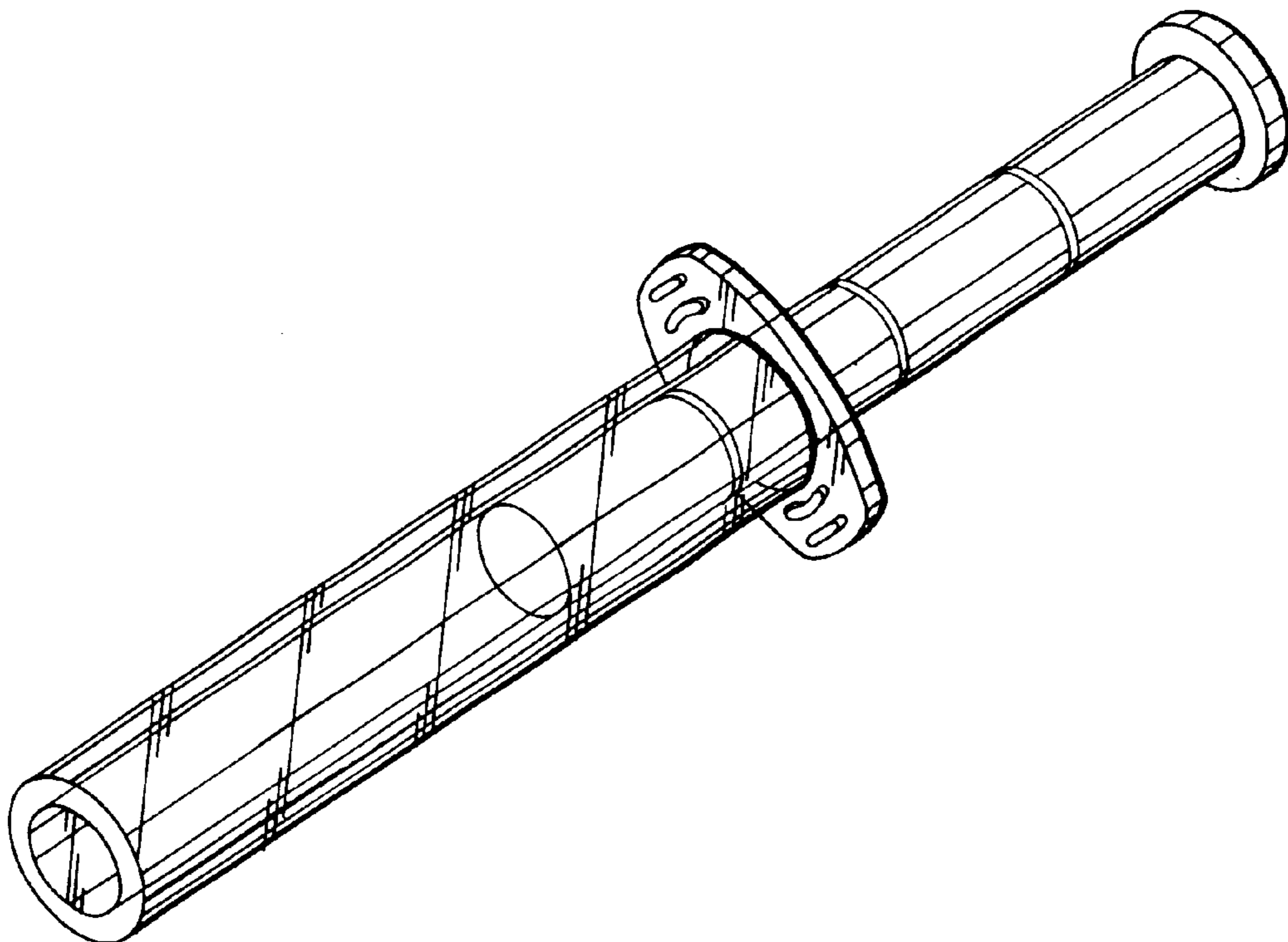
(56) **References Cited**

FIG. 1 is a perspective view of a medicated cream and ointment dispenser with a ruled piston showing my new design;  
FIG. 2 is a top view thereof;  
FIG. 3 is a bottom view thereof;  
FIG. 4 is a front elevational view thereof with the rear elevational view being a mirror image thereof; and,  
FIG. 5 is a right side elevational view with the left side being a mirror image thereof.

**U.S. PATENT DOCUMENTS**

206,211 7/1878 Austin .  
D. 260,814 \* 9/1981 Goldhardt et al. .... D24/114  
D. 306,069 \* 2/1990 Kelly et al. .... D24/114  
2,328,995 9/1943 Olds .  
4,900,315 \* 2/1990 Lundqvist et al. .... 604/15  
5,282,789 2/1994 Lundy .

**1 Claim, 1 Drawing Sheet**



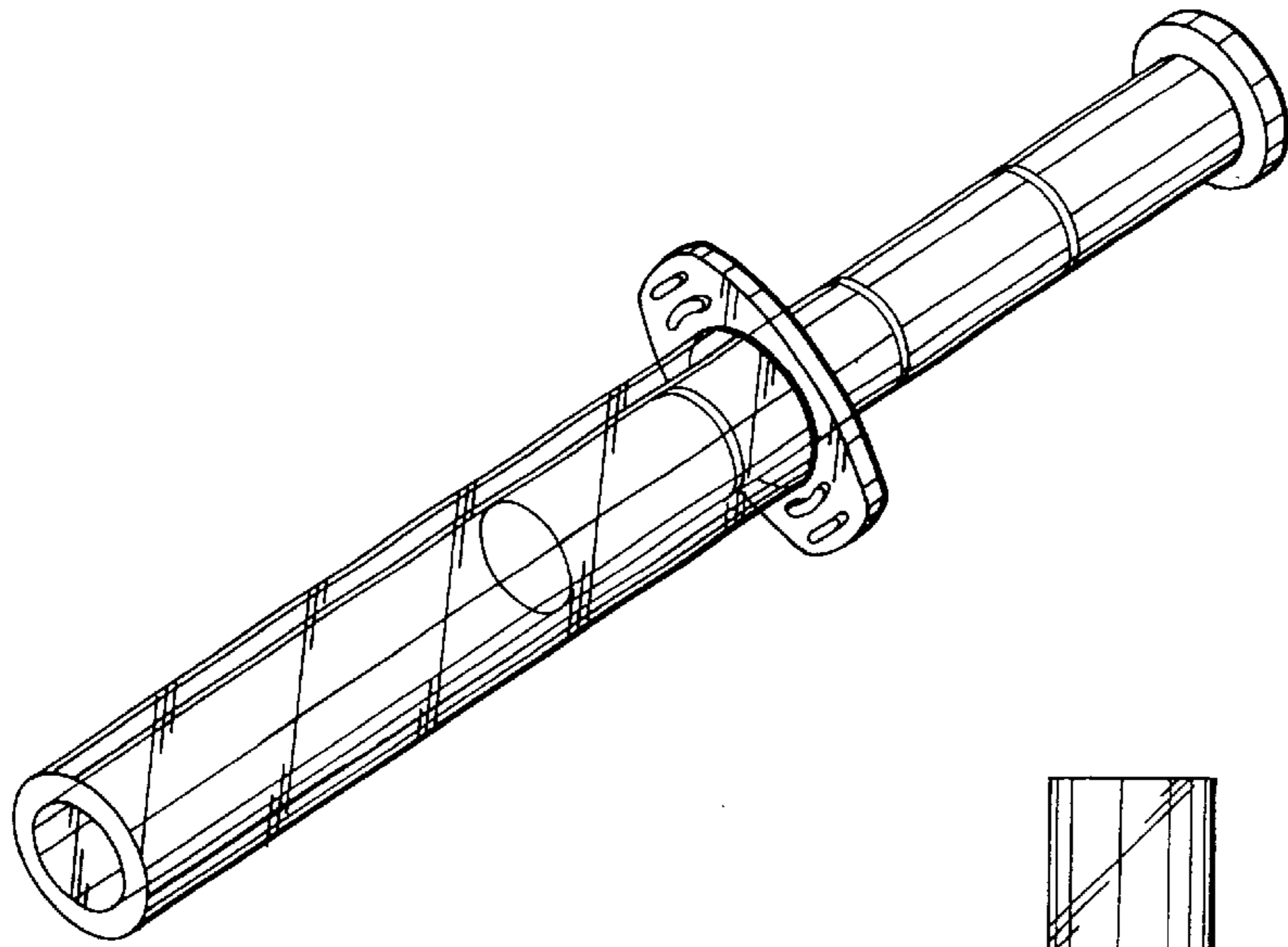


FIG. 1

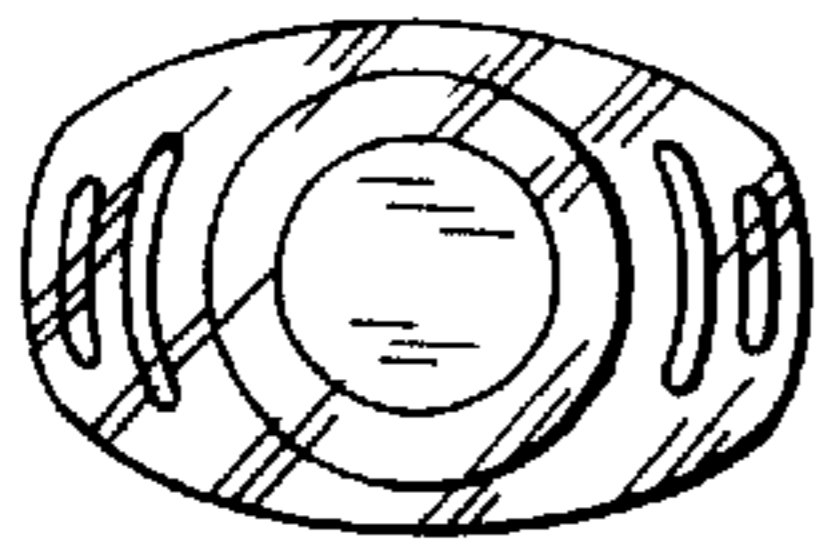


FIG. 2

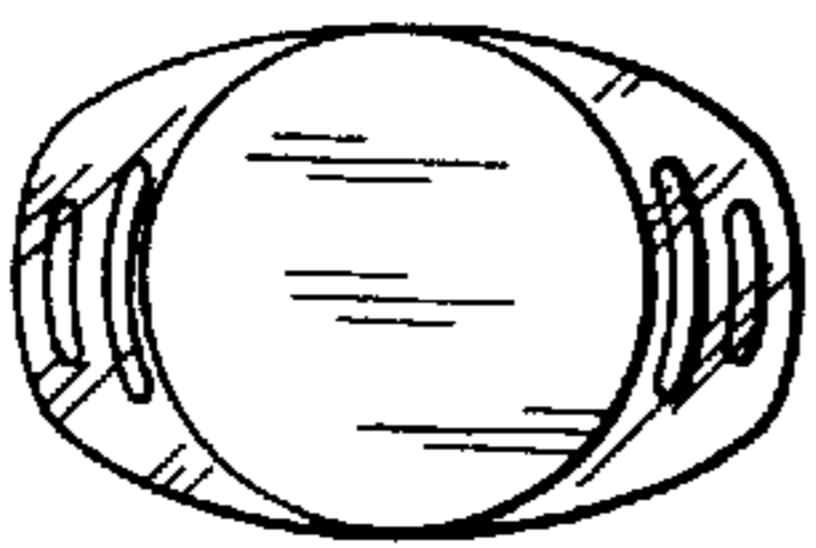


FIG. 3

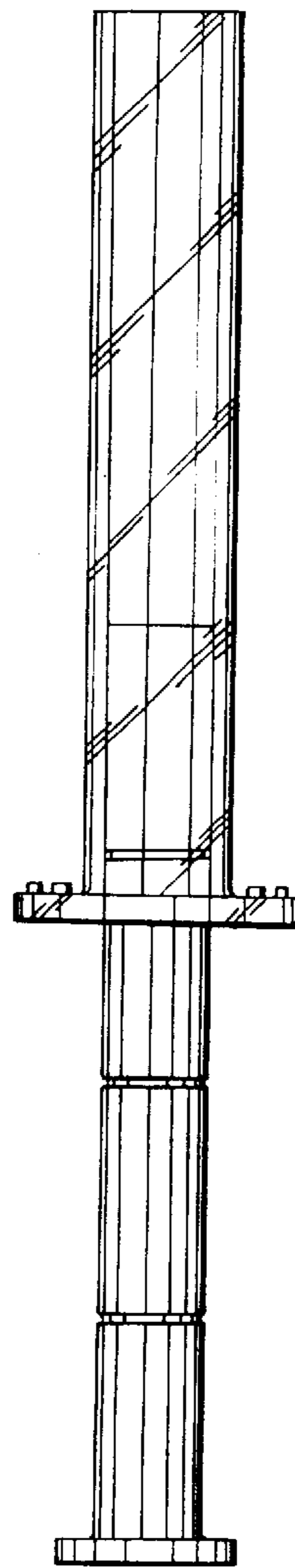


FIG. 4

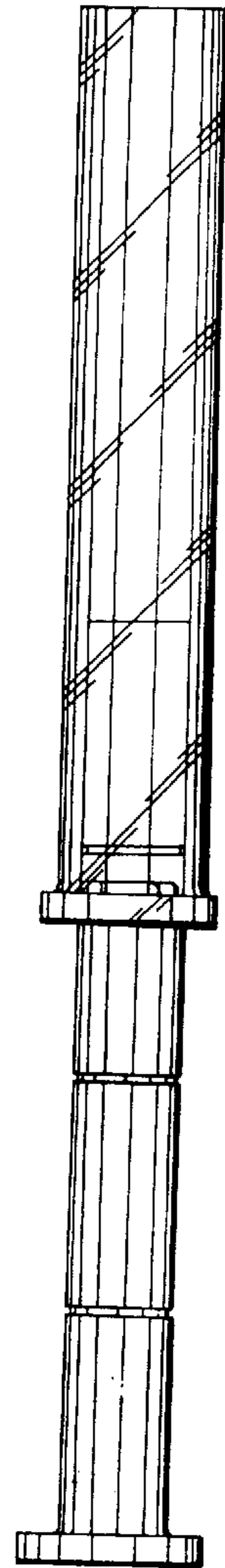


FIG. 5