



US00D445175S

(12) **United States Design Patent**
Bertheas

(10) **Patent No.:** **US D445,175 S**

(45) **Date of Patent:** **** Jul. 17, 2001**

(54) **IMPLANTABLE SUB-CUTANEOUS CHAMBER**

6,013,058 * 1/2000 Prosi et al. 604/167
6,039,712 * 3/2000 Fogarty et al. 604/93
6,186,982 * 2/2001 Gross et al. 604/132

(75) Inventor: **Jacques Bertheas**, Lissieu (FR)

* cited by examiner

(73) Assignee: **Districlass Medical S.A.**, Saint-Etienne (FR)

Primary Examiner—Antoine Duval Davis
(74) *Attorney, Agent, or Firm*—Greenblum & Bernstein, P.L.C.

(**) Term: **14 Years**

(21) Appl. No.: **29/120,947**

(57) **CLAIM**

(22) Filed: **Mar. 30, 2000**

The ornamental design for an implantable sub-cutaneous chamber, as shown and described.

(30) **Foreign Application Priority Data**

Sep. 30, 1999 (FR) 99 6108

DESCRIPTION

(51) **LOC (7) Cl.** **24-01**

(52) **U.S. Cl.** **D24/108; D24/155**

(58) **Field of Search** D24/155, 108;
604/19, 23, 48, 65, 890.1, 891.1, 140, 141,
93, 173-174, 180, 131-133; 128/DIG. 26,
912

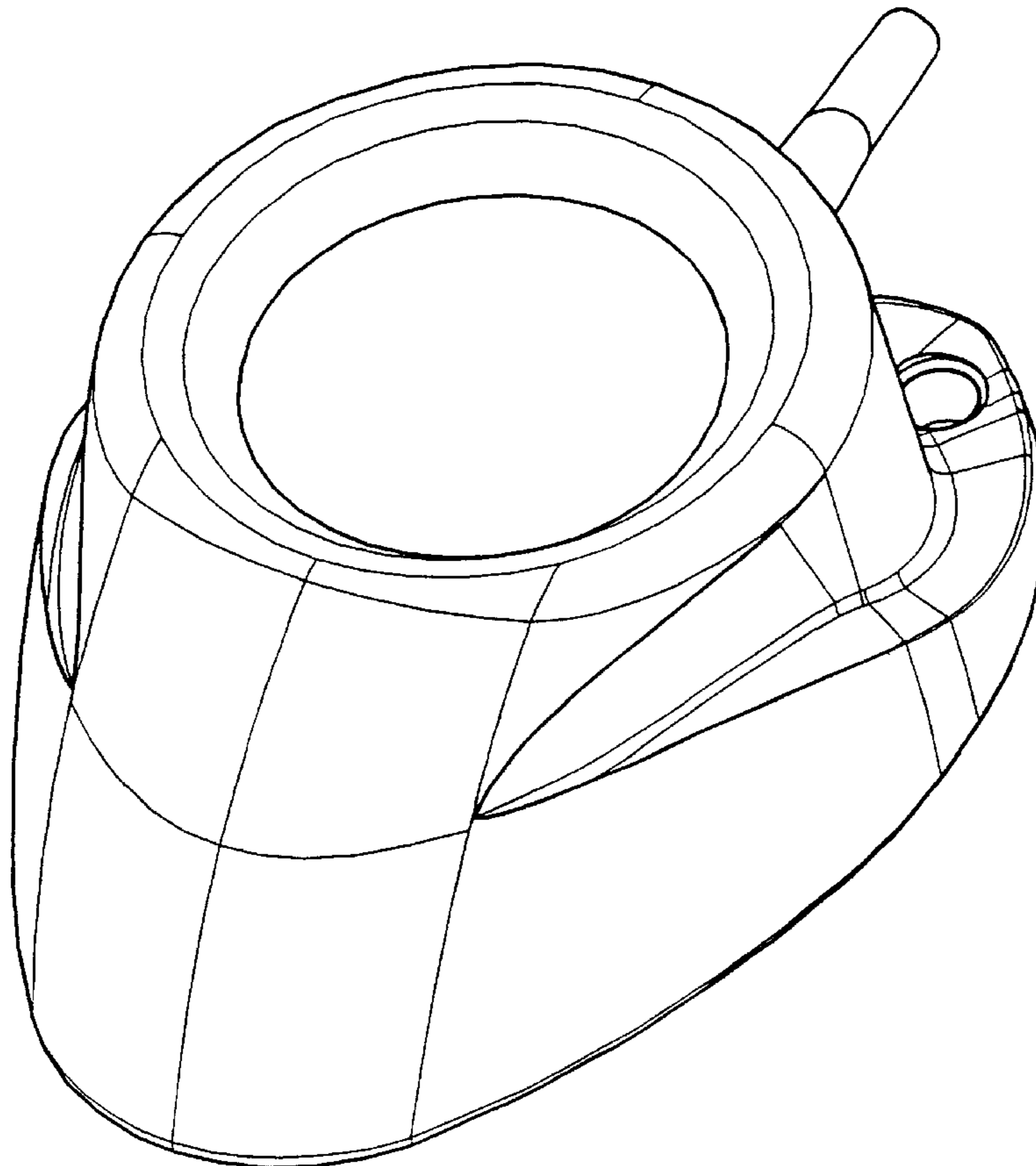
FIG. 1 is a top plan view, showing my new design;
FIG. 2 is a right side view thereof;
FIG. 3 is a front end view thereof;
FIG. 4 is a rear end view thereof;
FIG. 5 is a bottom plan view thereof; and,
FIG. 6 is a front perspective of the right side thereof.

(56) **References Cited**

U.S. PATENT DOCUMENTS

D. 337,637 * 7/1993 Tucker D24/108 X

1 Claim, 6 Drawing Sheets



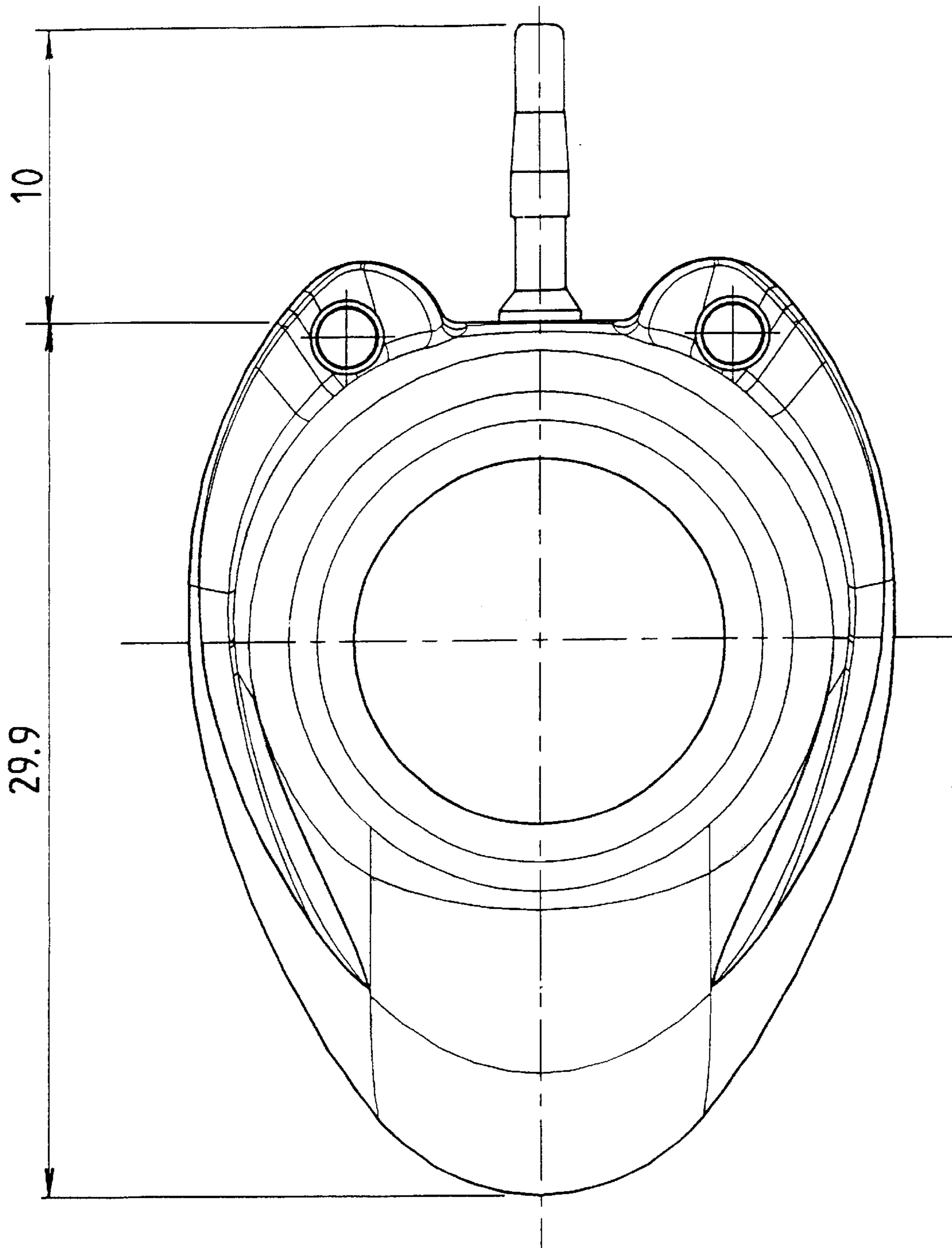


FIG. 1

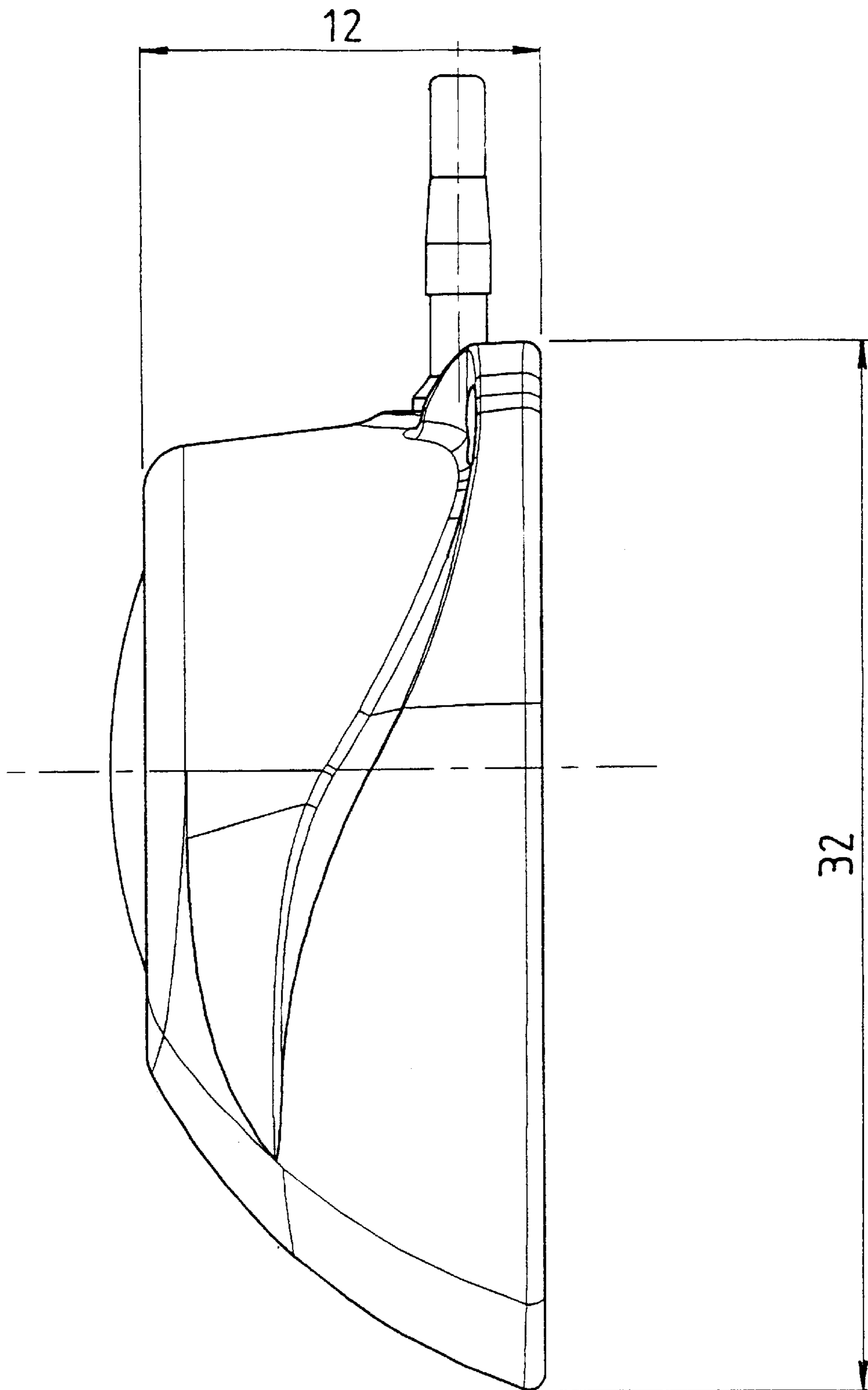


FIG. 2

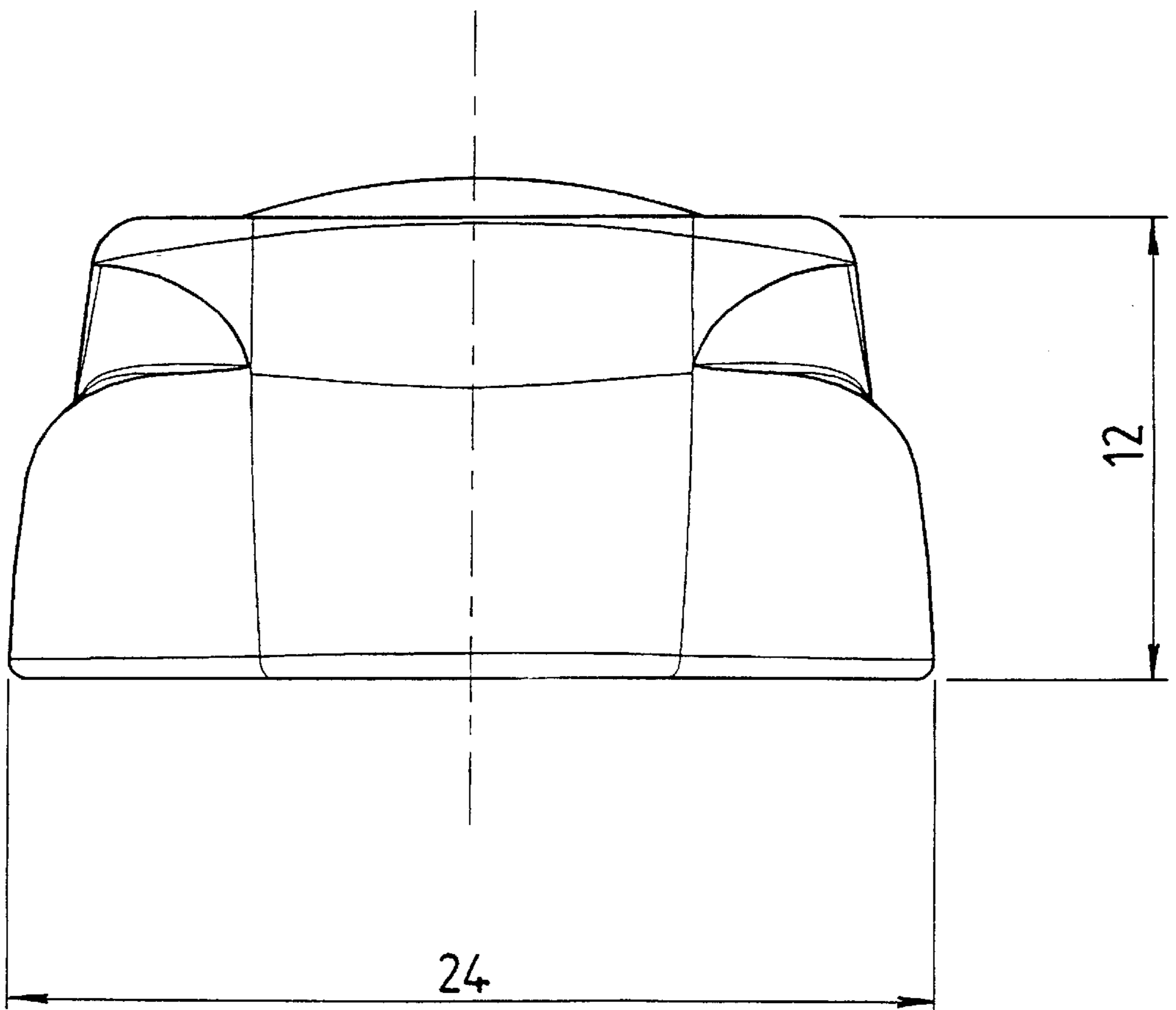


FIG. 3

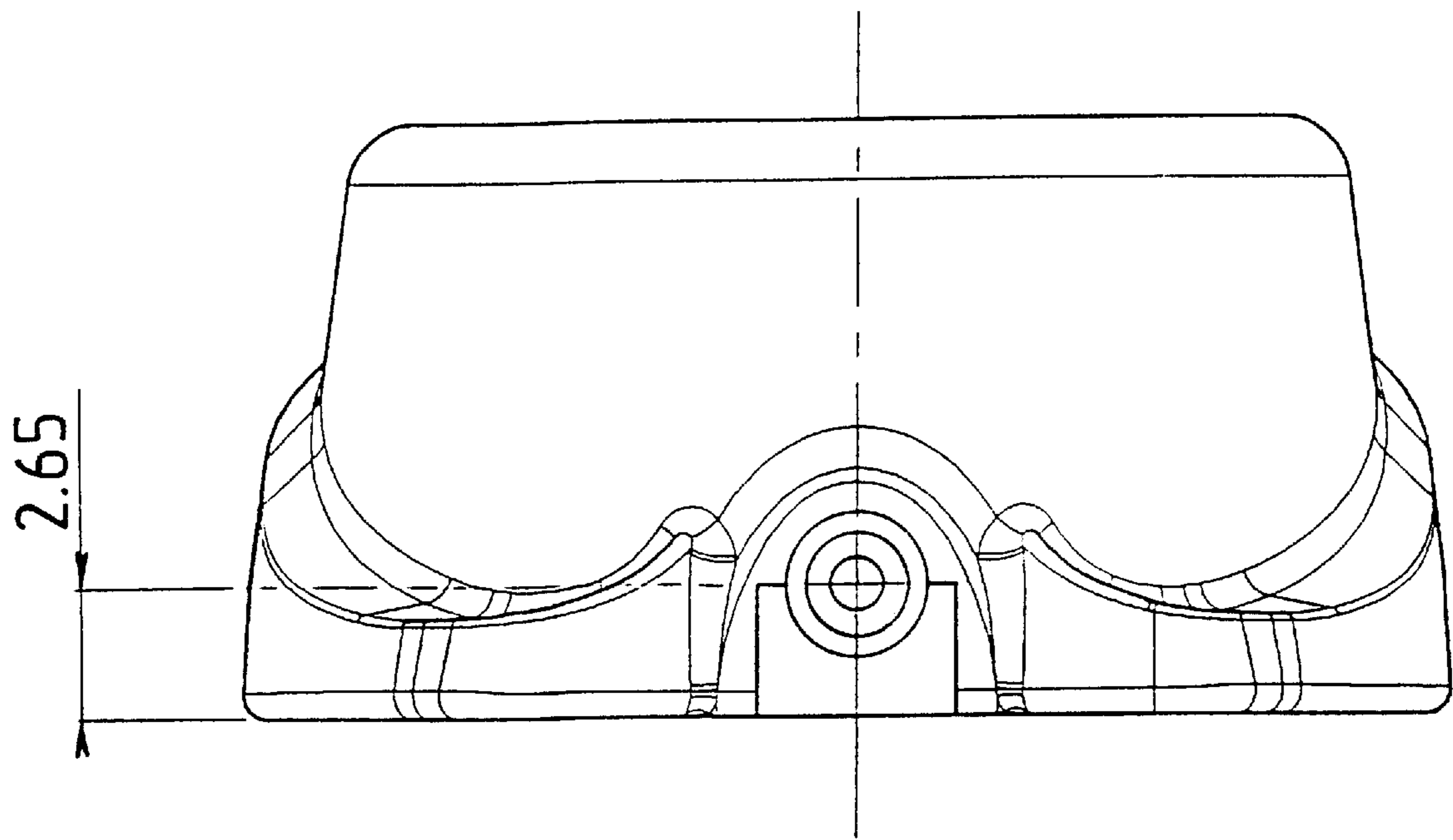


FIG. 4

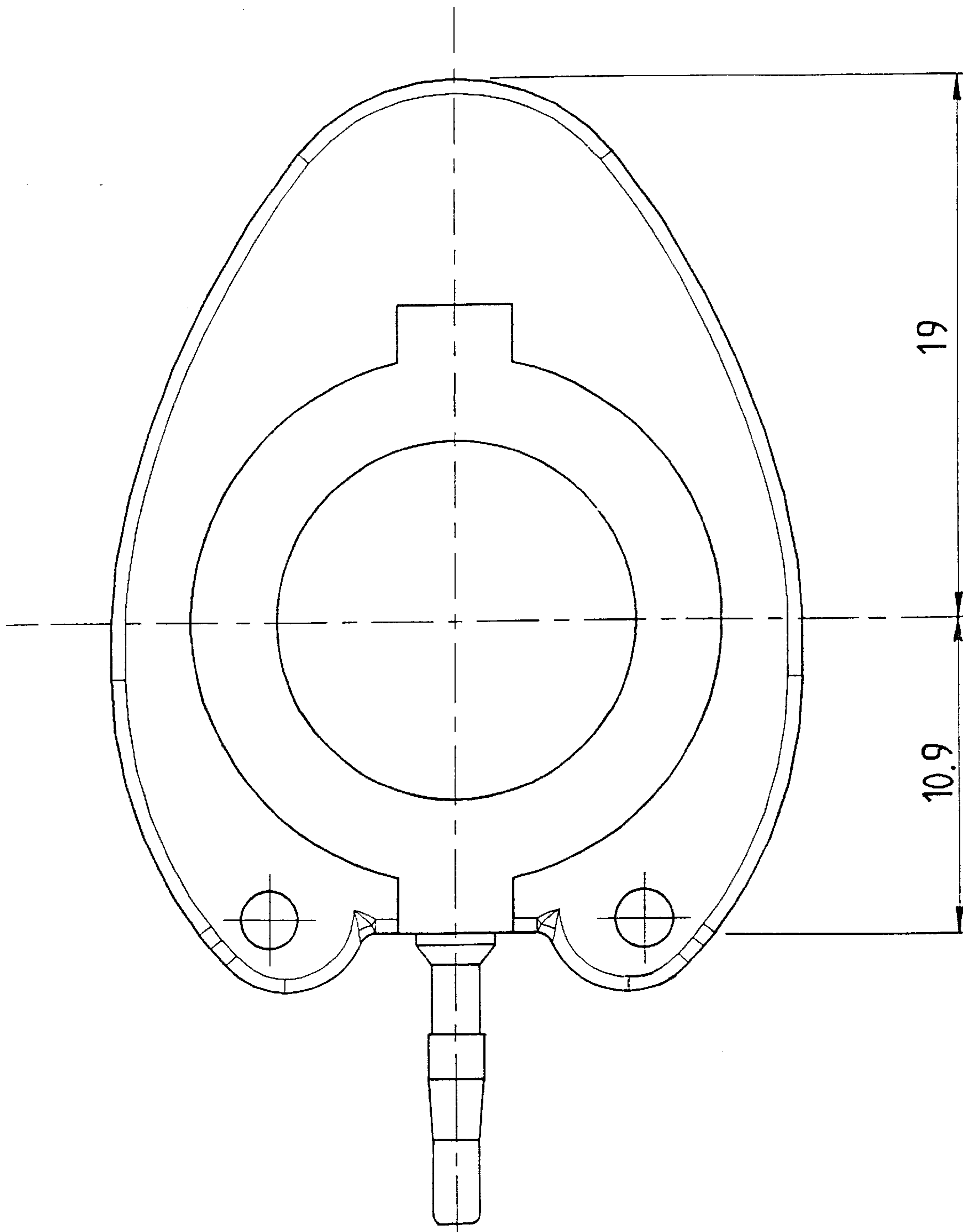


FIG. 5

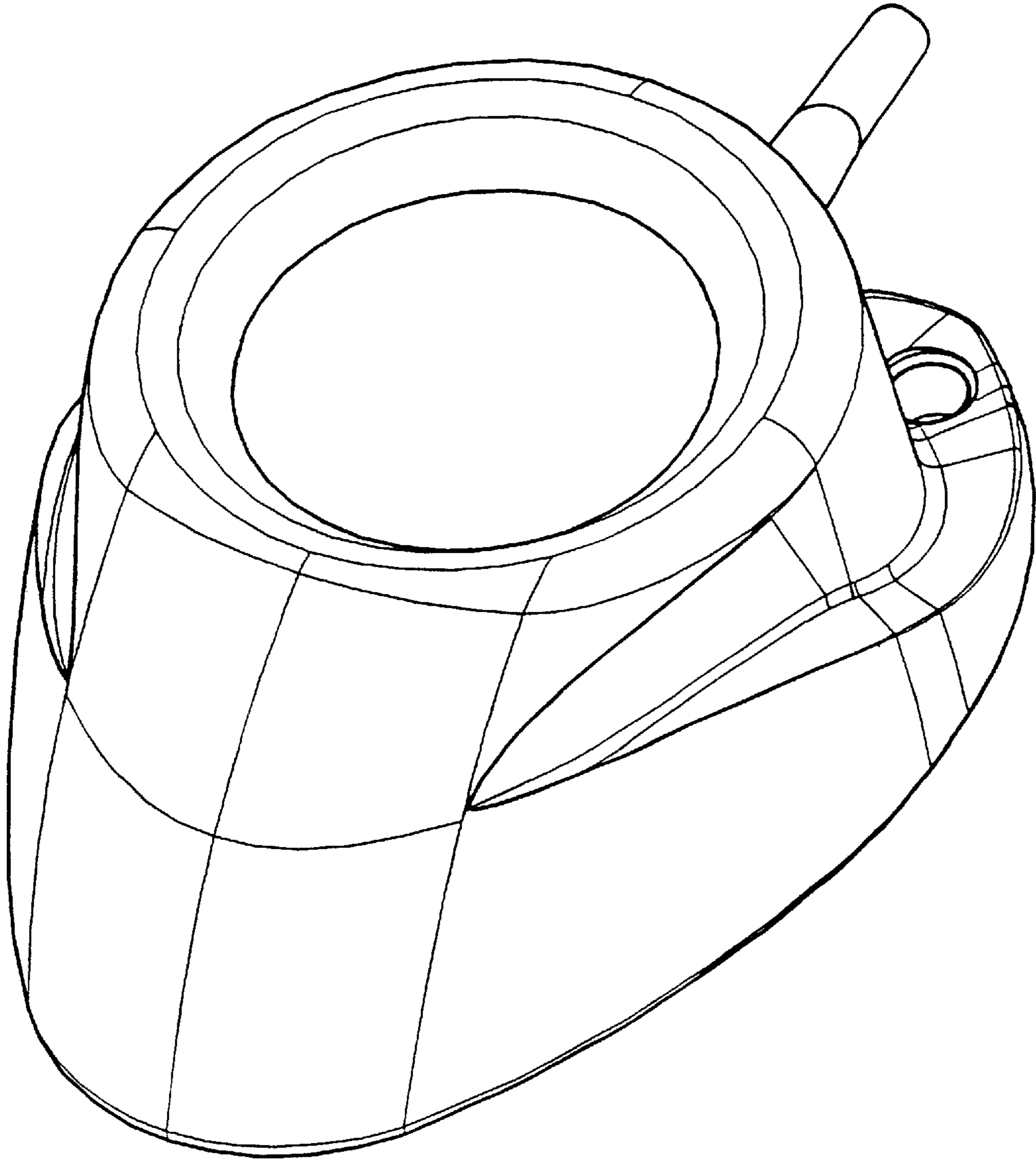


FIG. 6