



US00D445174S

(12) **United States Design Patent**
Fox

(10) **Patent No.:** **US D445,174 S**

(45) **Date of Patent:** **** Jul. 17, 2001**

(54) **GRATE BURNER FOR A FIREPLACE**

3,110,342	11/1963	Mennell .
3,987,779	10/1976	Richardson .
5,033,455	7/1991	Eiklor et al. .
5,671,727	9/1997	Squires et al. .

(75) Inventor: **David H. Fox**, Mt. Pleasant, IA (US)

(73) Assignee: **HON Technology Inc.**, Muscatine, IA (US)

* cited by examiner

(**) Term: **14 Years**

Primary Examiner—Mitchell Siegel

(74) *Attorney, Agent, or Firm*—Merchant & Gould P.C.

(21) Appl. No.: **29/127,138**

(57) **CLAIM**

(22) Filed: **Jul. 31, 2000**

The ornamental design for grate burner for a fireplace, as shown and described.

(51) **LOC (7) Cl.** **23-02**

DESCRIPTION

(52) **U.S. Cl.** **D23/415**

(58) **Field of Search** D23/415, 397-400;
126/41 R, 503, 512; 239/567, 560

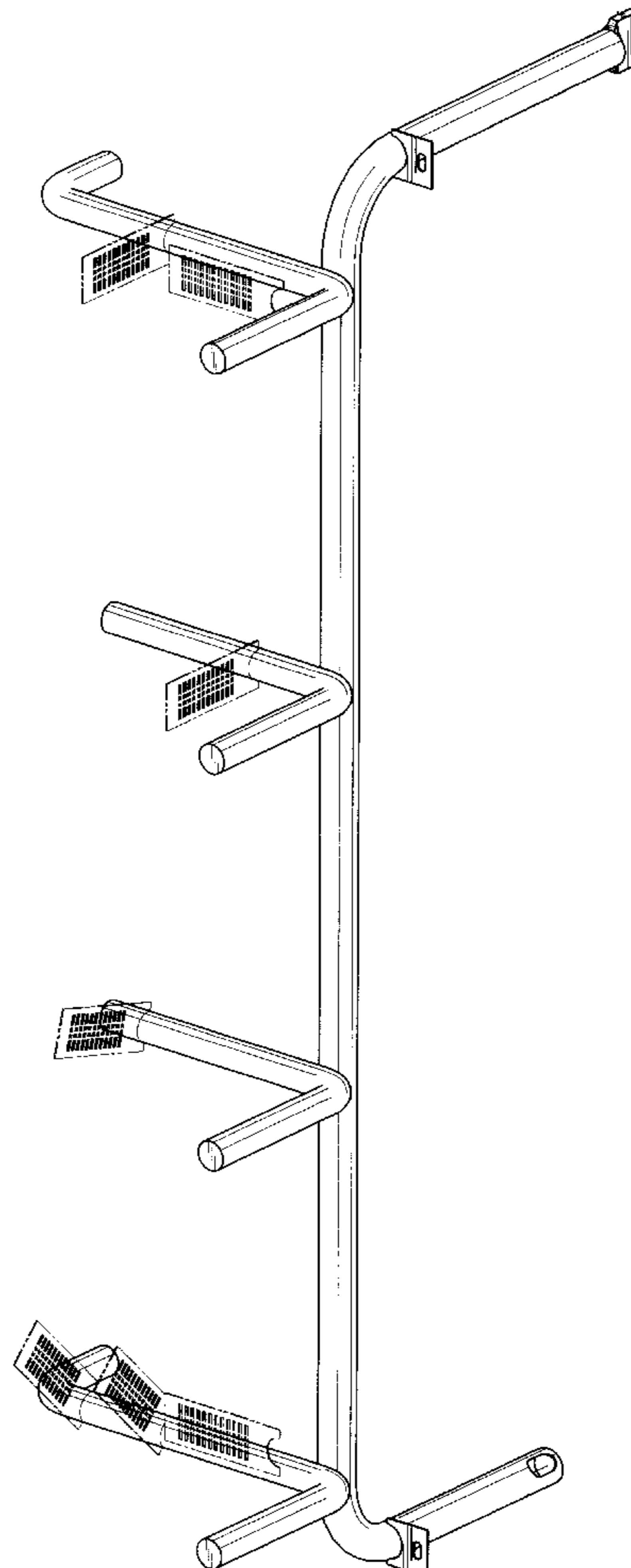
FIG. 1 is a perspective view of the new design;
 FIG. 2 is a front view of the new design;
 FIG. 3 is a rear view of the new design;
 FIG. 4 is a top view of the new design;
 FIG. 5 is a bottom view of the new design;
 FIG. 6 is a right side view of the new design; and,
 FIG. 7 is a left side view of the new design.
 The broken line showing is for illustrative purposes only and forms no part of the claimed design.

(56) **References Cited**

U.S. PATENT DOCUMENTS

D. 245,993	*	10/1977	Anderson et al.	D23/399
D. 258,309	*	2/1981	Leighton	D23/415
354,380		12/1886	Bourne .	
D. 395,079	*	6/1998	Kim	D23/398
2,926,657		3/1960	Ford .	

1 Claim, 3 Drawing Sheets



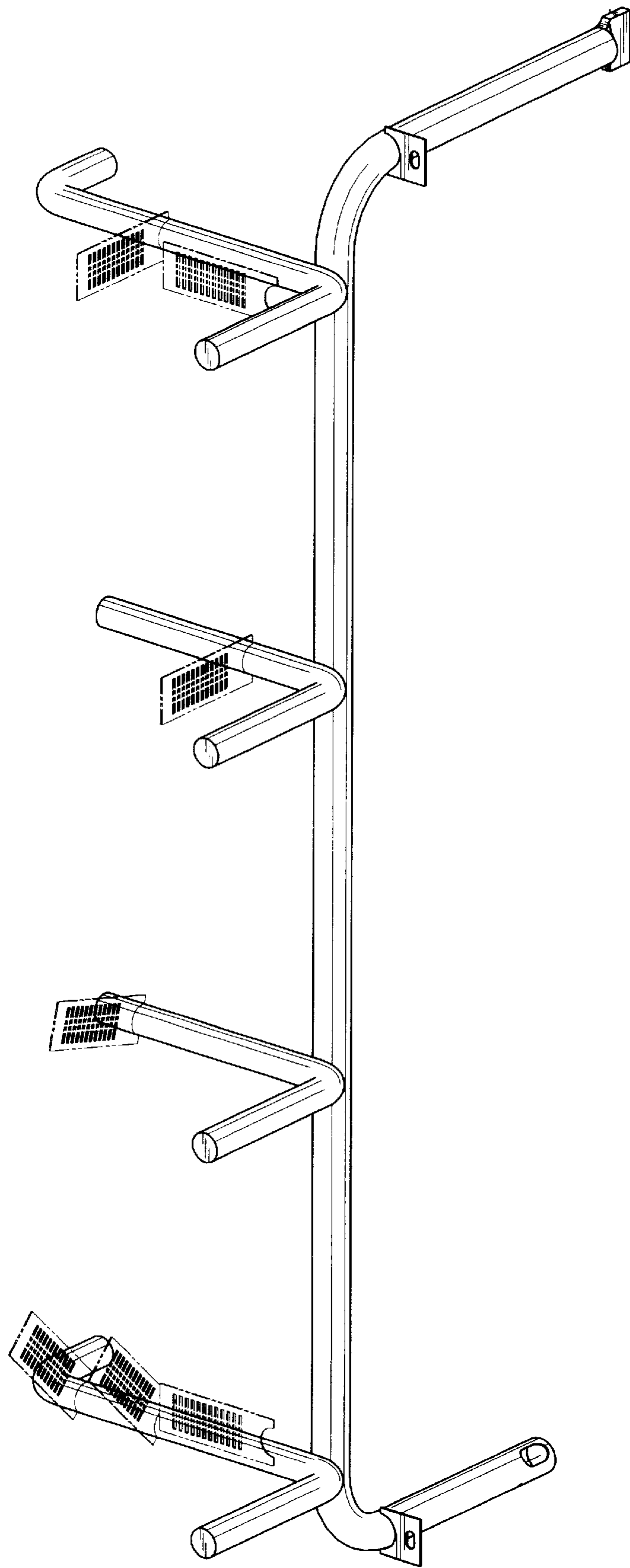


FIG. 1

FIG. 2

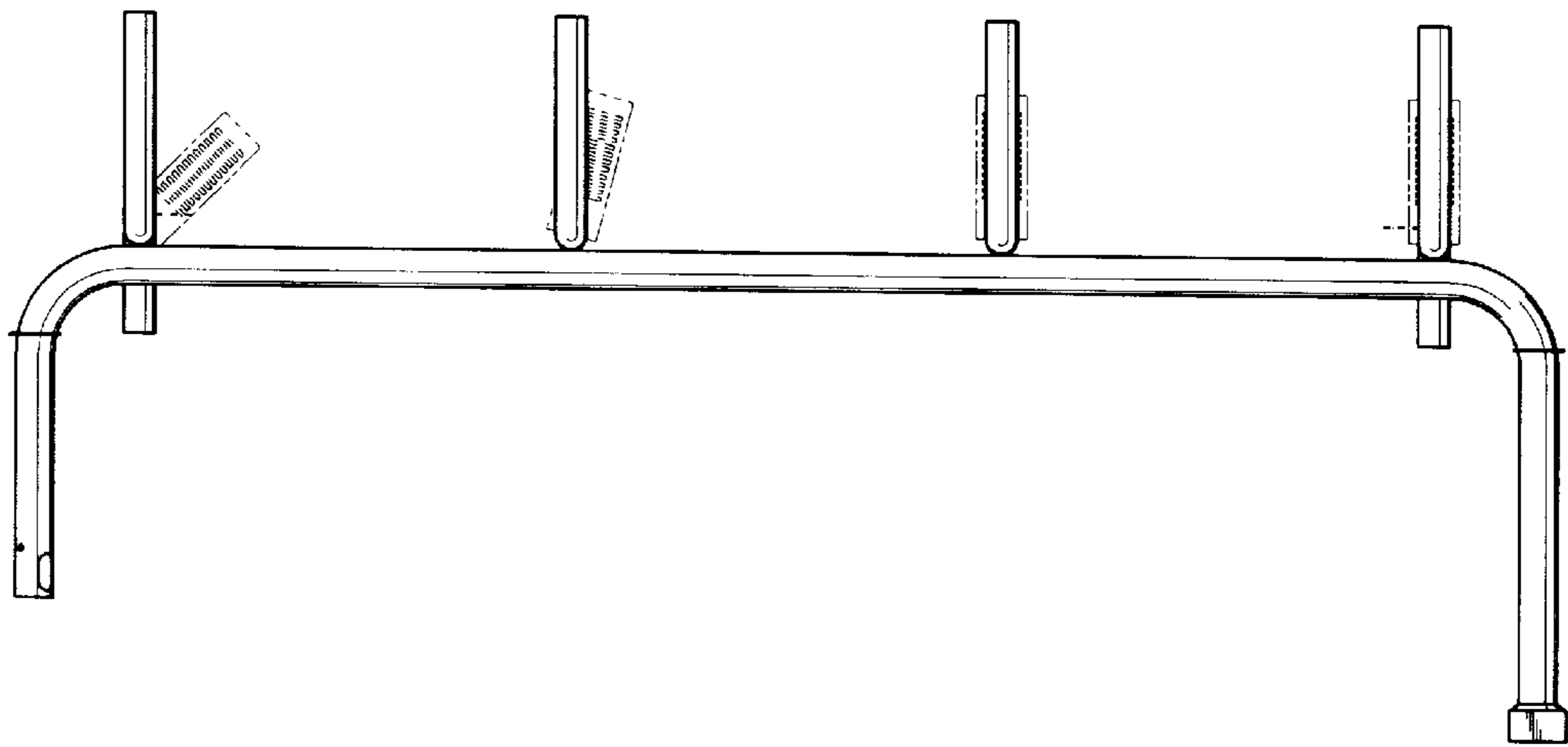


FIG. 3

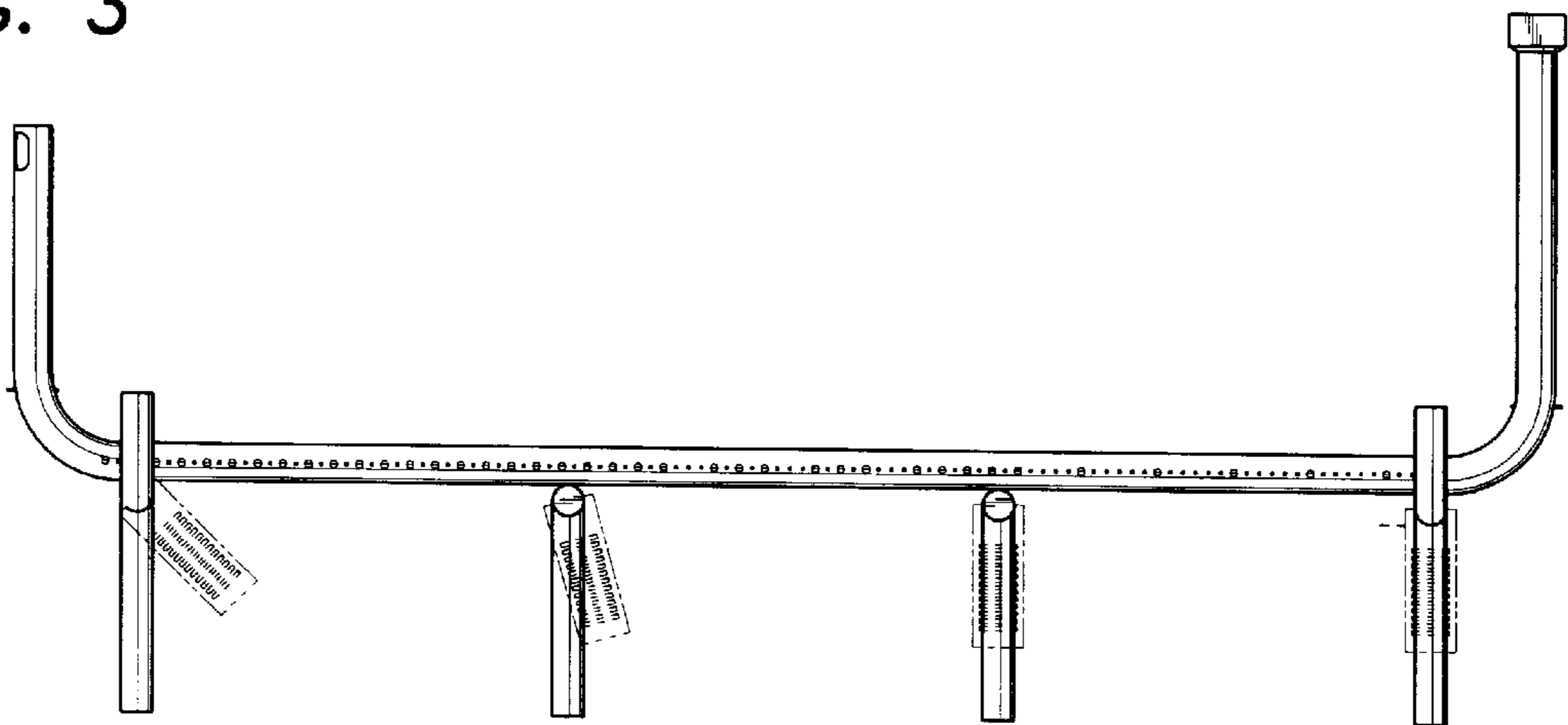


FIG. 4

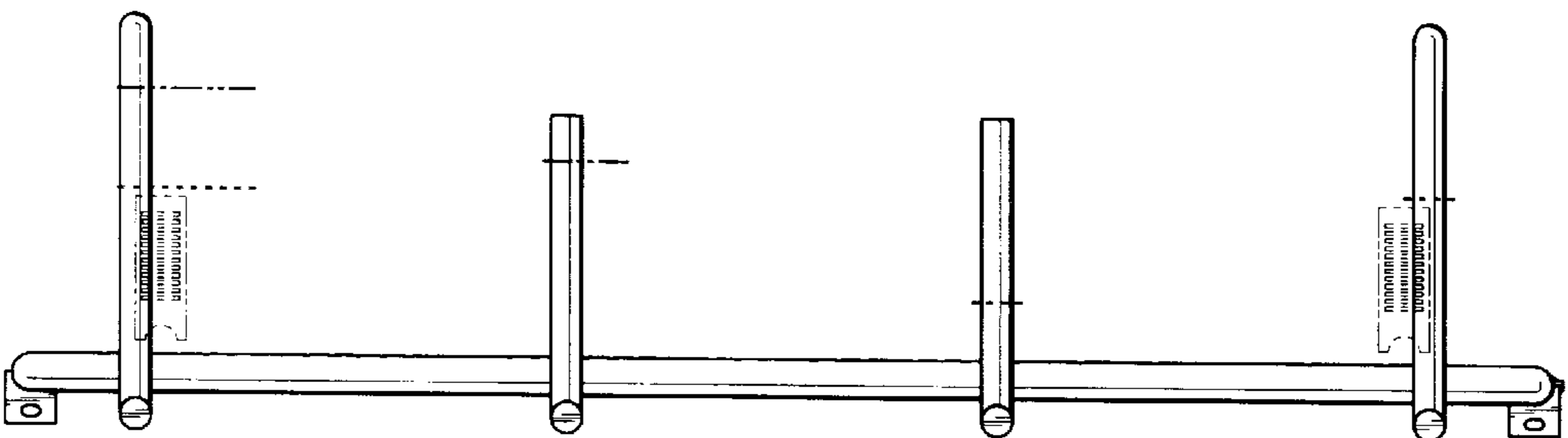


Fig. 5

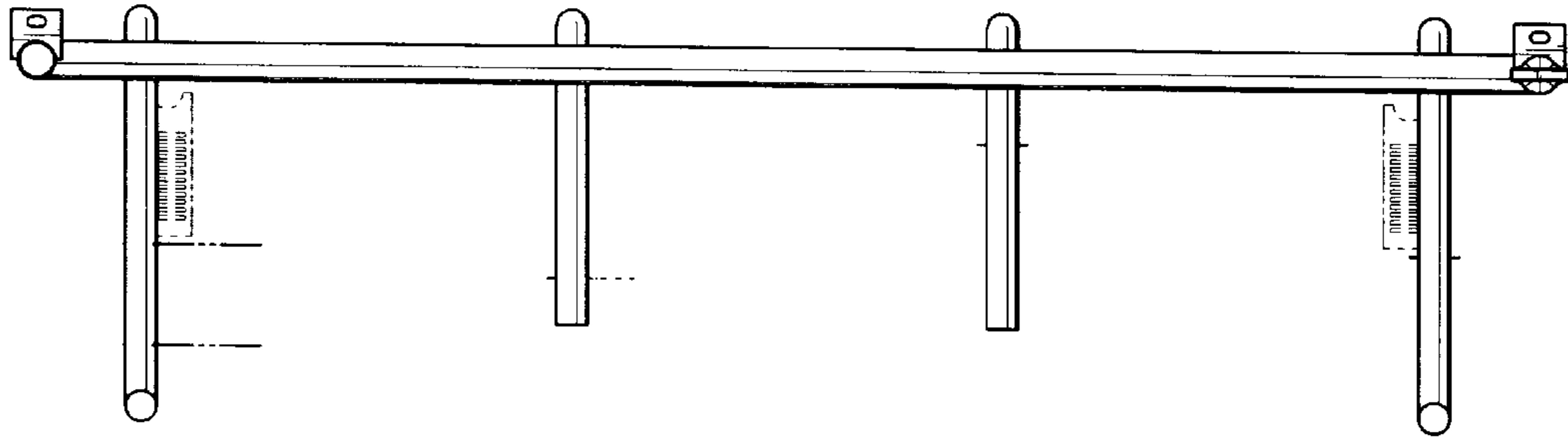


FIG. 6

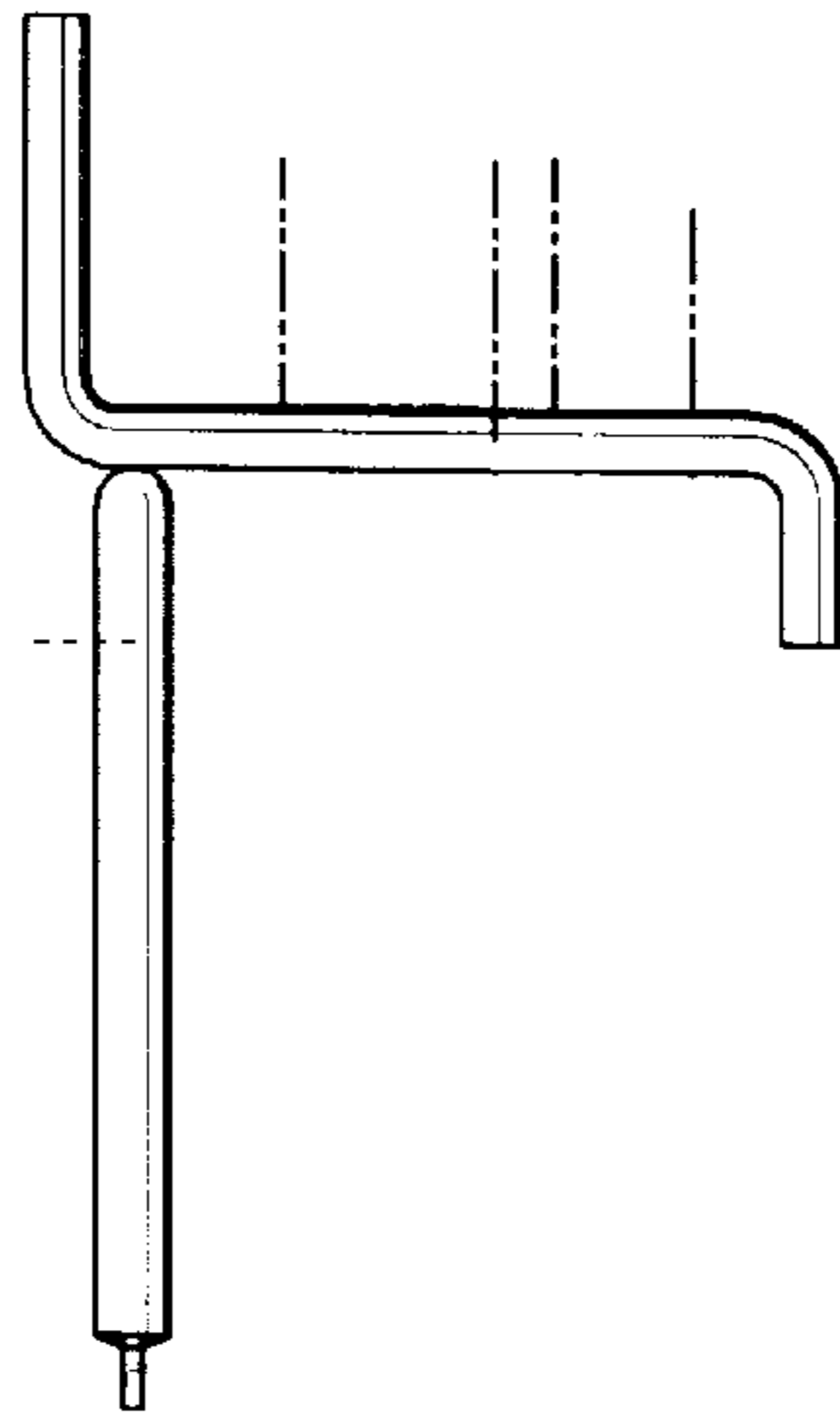


FIG. 7

