



US00D445172S

(12) **United States Design Patent**  
**Slothower**

(10) **Patent No.:** **US D445,172 S**

(45) **Date of Patent:** **\*\* Jul. 17, 2001**

(54) **ADJUSTABLE SHOWER FIXTURE**

(75) Inventor: **Anna-Pia K. Slothower**, Sheboygan,  
WI (US)

(73) Assignee: **Kohler Co.**, Kohler, WI (US)

(\*\*) Term: **14 Years**

(21) Appl. No.: **29/121,403**

(22) Filed: **Apr. 6, 2000**

(51) **LOC (7) Cl.** ..... **23-02**

(52) **U.S. Cl.** ..... **D23/304**

(58) **Field of Search** ..... D23/213, 223,  
D23/228, 275, 283, 303, 304; D8/354,  
355; 248/125.1; 4/567, 568, 570, 576.1,  
596, 601, 615, 695

(56) **References Cited**

**U.S. PATENT DOCUMENTS**

- D. 284,688 \* 7/1986 Baus ..... D23/283
- D. 391,341 \* 2/1998 Sutherland ..... D23/304 X
- 4,174,822 \* 11/1979 Larsson ..... D23/223 X

**OTHER PUBLICATIONS**

- 1997 Kludi catalog ad showing a shower fixture.
- Undated Kohler catalog ad, p. 45, showing a "Master-shower" shower fixture.
- Undated Cesana catalog ad showing a "Model Logic" shower fixture.

\* cited by examiner

*Primary Examiner*—Louis S. Zarfes  
*Assistant Examiner*—Robert A. Delehanty  
(74) *Attorney, Agent, or Firm*—Quarles & Brady LLP

(57) **CLAIM**

The ornamental design for an adjustable shower fixture, as shown and described.

**DESCRIPTION**

In a preferred embodiment, the nature of this product is as a plumbing fixture primarily useful for washing the body of humans.

FIG. 1 is a right, top, front perspective view of an adjustable shower fixture embodying my new design;

FIG. 2 is a front elevational view thereof;

FIG. 3 is a left side elevational view thereof (and of the FIG. 8 embodiment), the right side elevational view thereof (and of the FIG. 8 embodiment) being a mirror image of the left side shown;

FIG. 4 is a top plan view thereof;

FIG. 5 is a rear elevational view thereof;

FIG. 6 is a front elevational view thereof showing the adjustable horizontal nozzles in a different position;

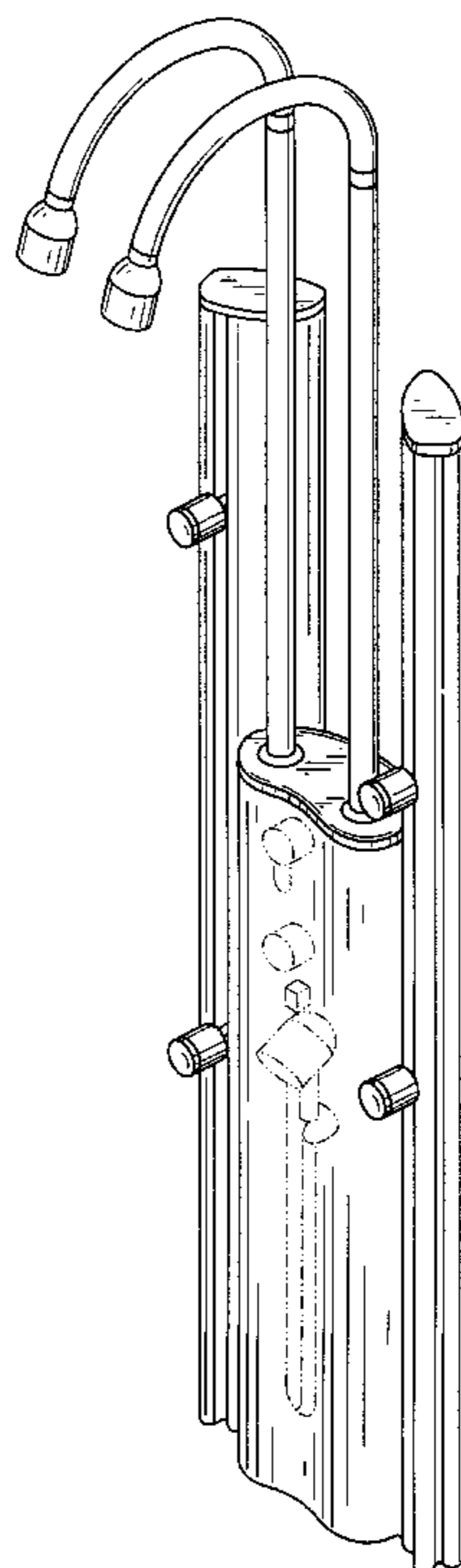
FIG. 7 is a front elevational view thereof showing the adjustable curved nozzle stanchions in a different position;

FIG. 8 is a front elevational view of a second embodiment that is identical to the first except that one of the cane spouts has been removed and the other centered; and,

FIG. 9 is a view of the second embodiment identical to FIG. 8, but showing the spout rotated somewhat.

The broken line representations of plumbing fittings in FIGS. 1-4 and 6-9 are for the purpose of illustration only, and form no part of the claimed design.

**1 Claim, 6 Drawing Sheets**



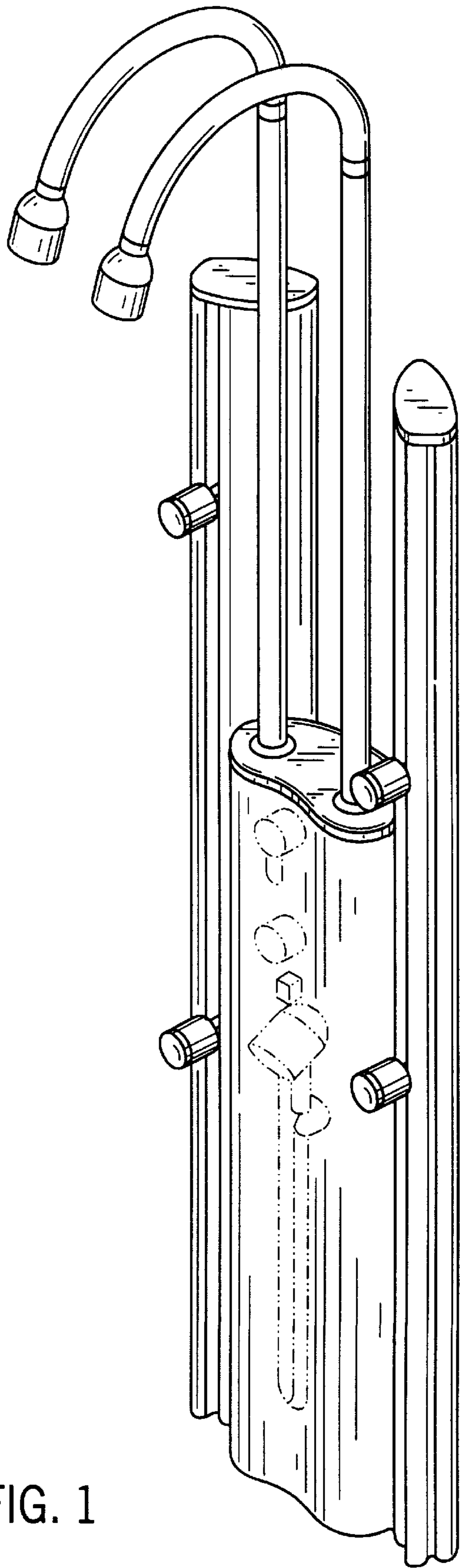


FIG. 1

FIG. 2

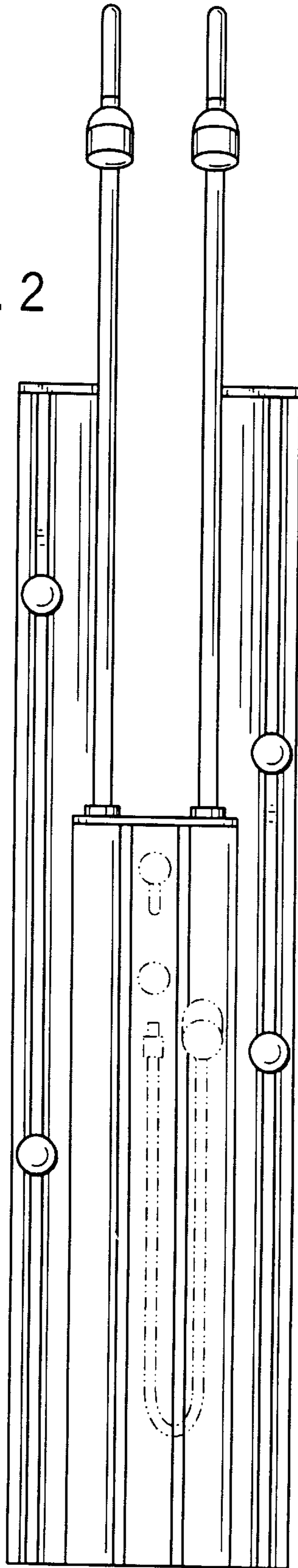
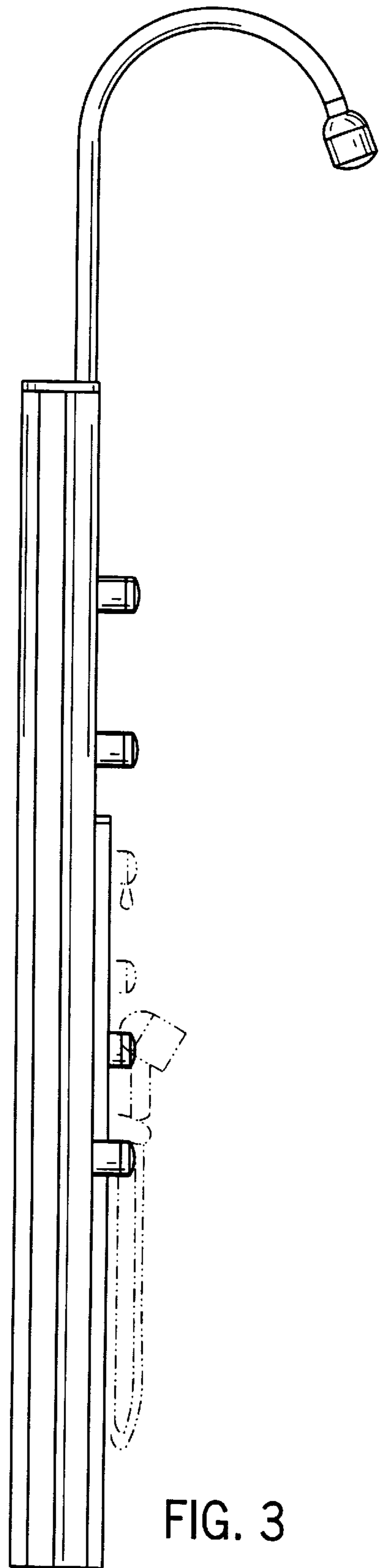


FIG. 3



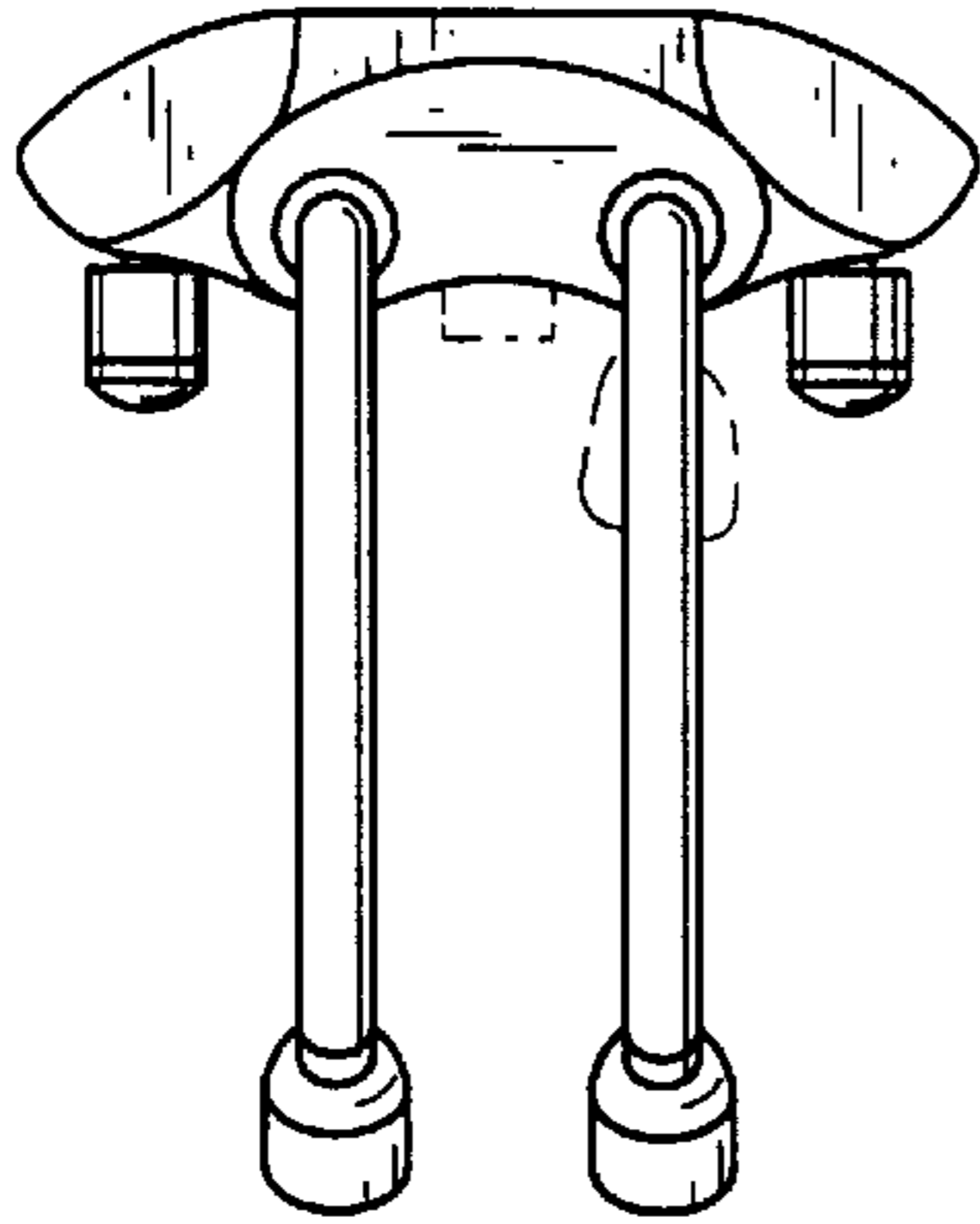


FIG. 4

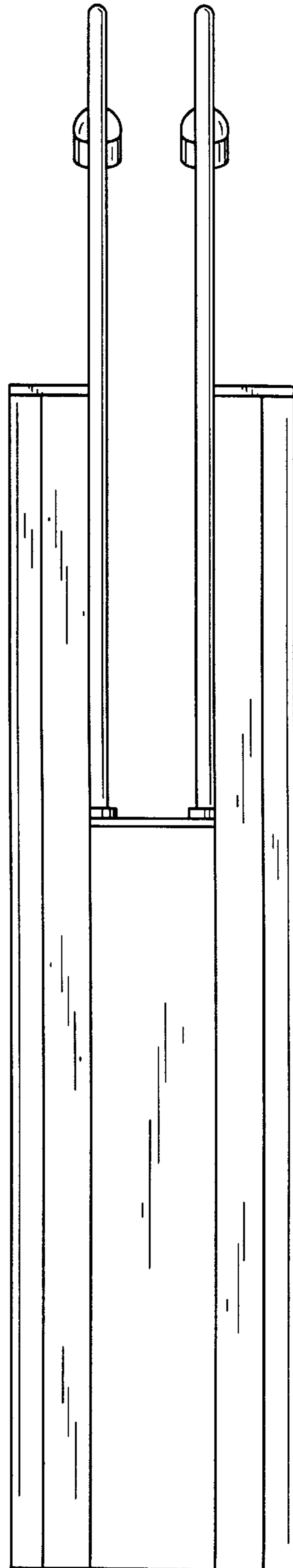


FIG. 5

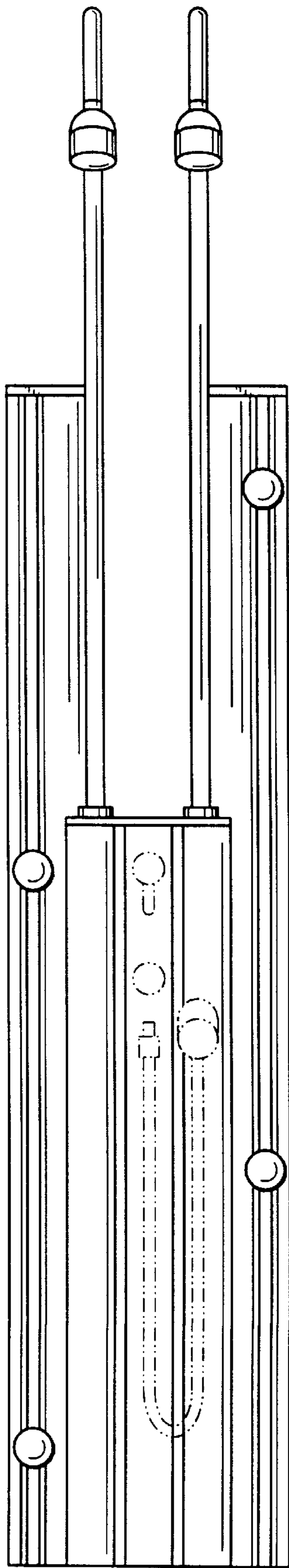


FIG. 6

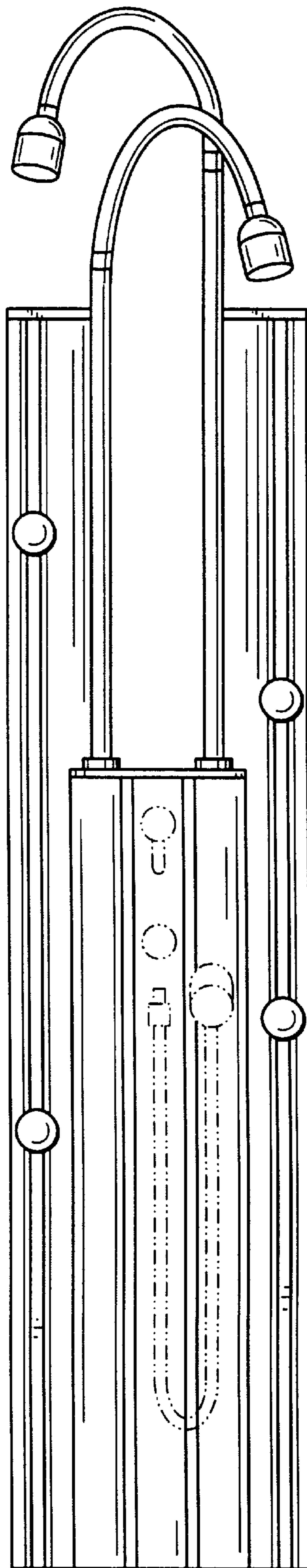


FIG. 7

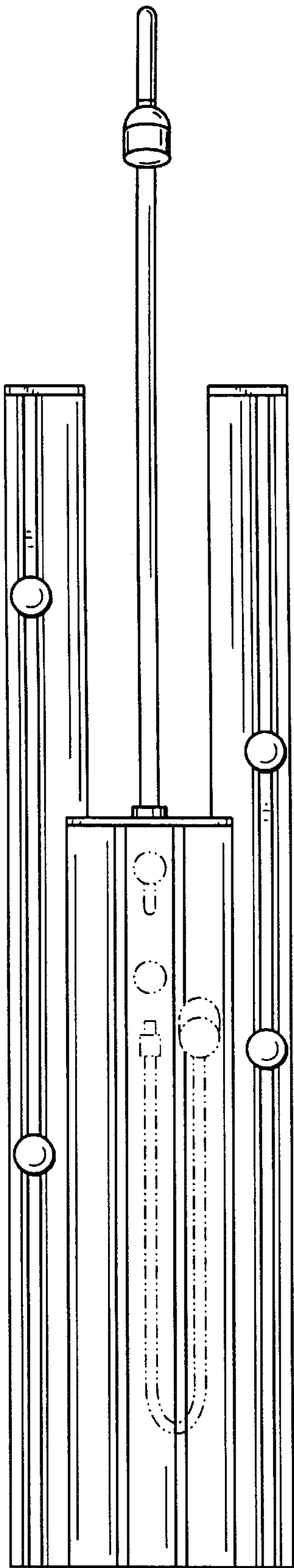


FIG. 8

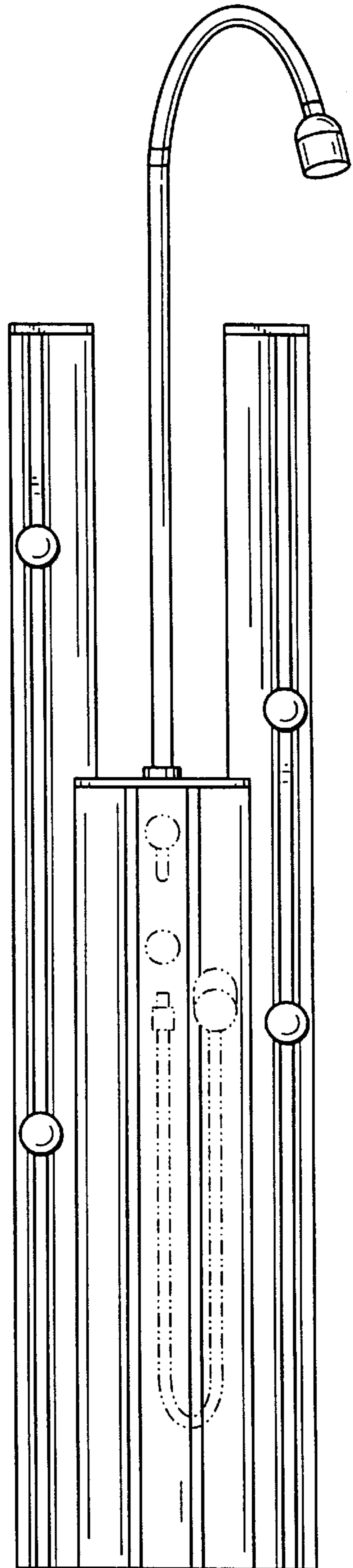


FIG. 9