



US00D445170S

(12) **United States Design Patent**
Speicher

(10) **Patent No.:** **US D445,170 S**

(45) **Date of Patent:** **** Jul. 17, 2001**

(54) **PROFILED PIPE**

(75) **Inventor:** **Thomas Speicher, Waldshut (DE)**

(73) **Assignee:** **Alfer Aluminum Gesellschaft mbH,**
Wutöschingen (DE)

(**) **Term:** **14 Years**

(21) **Appl. No.:** **29/117,639**

(22) **Filed:** **Jan. 28, 2000**

(51) **LOC (7) Cl.** **23-01**

(52) **U.S. Cl.** **D23/266**

(58) **Field of Search** D23/266, 267;
138/121-2, 118, 134, 128, 118.1, DIG. 11;
285/424

(56) **References Cited**

U.S. PATENT DOCUMENTS

- D. 26,562 * 1/1897 Pike D23/266
- D. 88,666 * 12/1932 Morse D23/266
- 125,596 * 4/1872 Mayall 138/118
- D. 345,197 * 3/1994 Potter D23/266

- D. 427,669 * 7/2000 Ruuska D23/266
- 5,048,572 * 9/1991 Levine 138/121
- 5,477,887 * 12/1995 Catallo 138/128

* cited by examiner

Primary Examiner—Robin V. Taylor

(74) *Attorney, Agent, or Firm*—Notaro & Michalos P.C.

(57) **CLAIM**

The ornamental design for profiled pipe, as shown and described.

DESCRIPTION

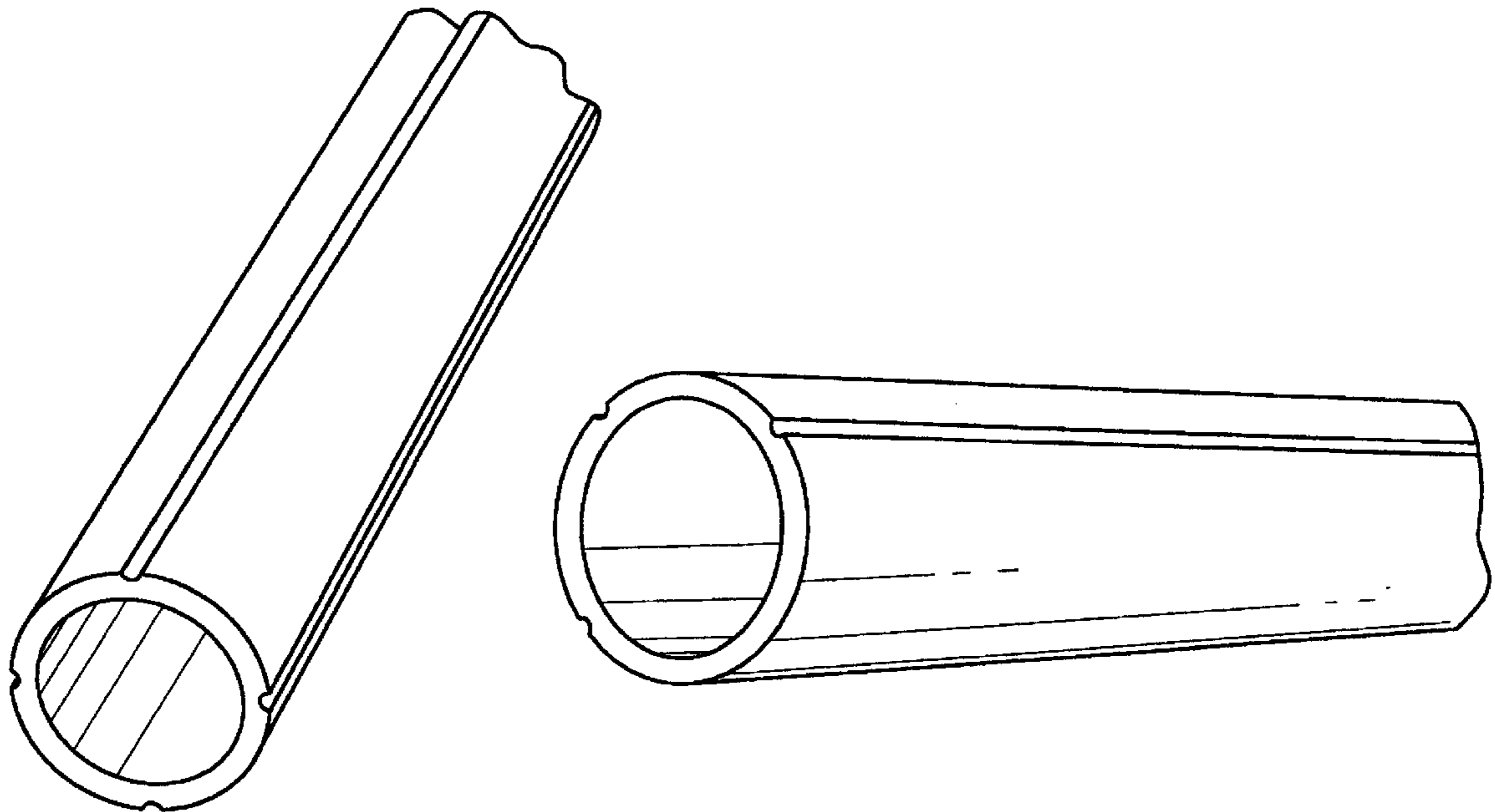
FIG. 1 is a top, left, front perspective view of a profiled pipe showing my new design, the opposite side view being identical;

FIG. 2 is a perspective view of another embodiment thereof, with the opposite side view being identical;

FIG. 3 is an end view of the first embodiment thereof; and, FIG. 4 is an end view of the second embodiment.

The pipes are shown fragmented in FIGS. 1 and 2 to indicate indeterminate length.

1 Claim, 3 Drawing Sheets



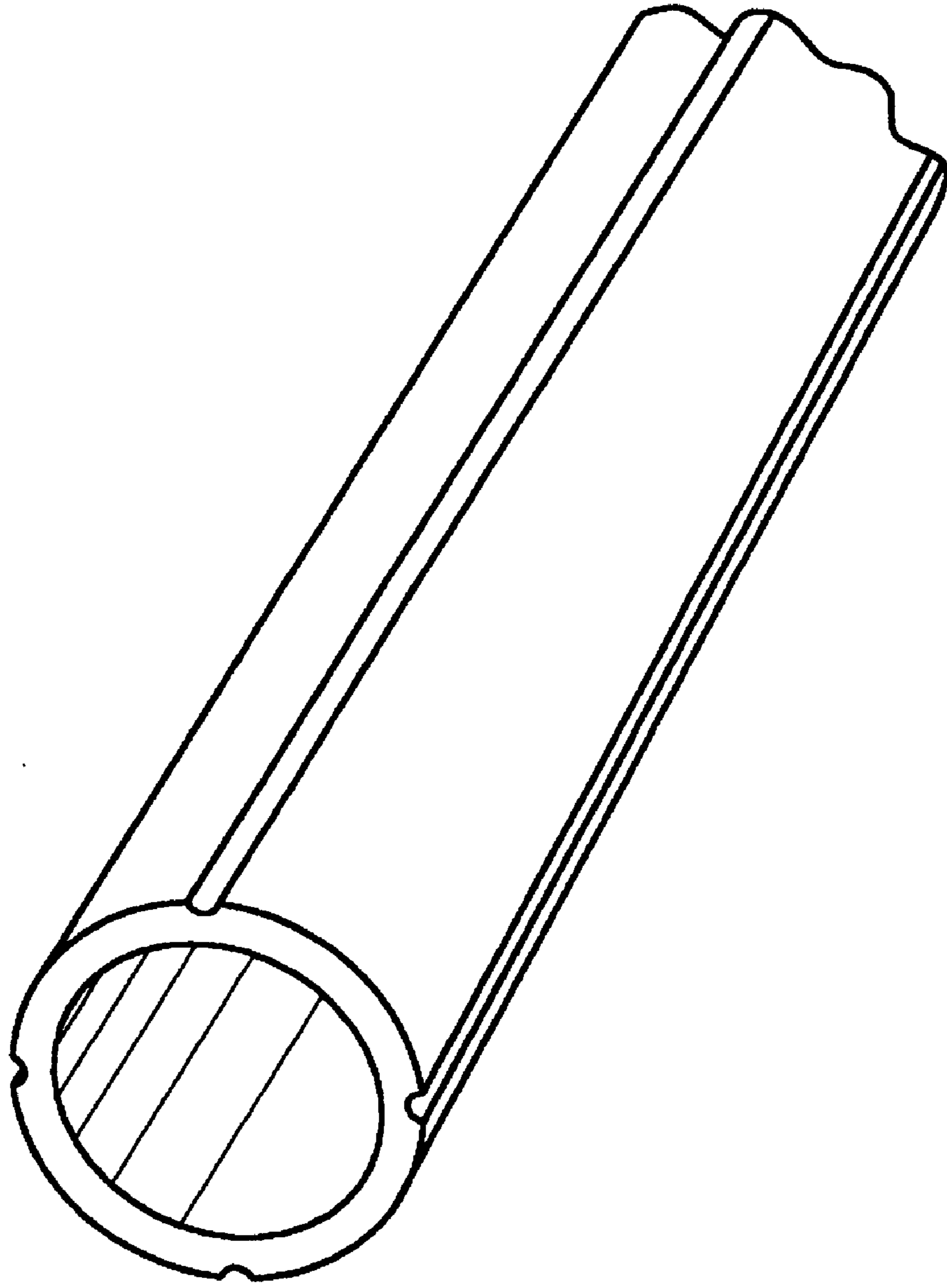


FIG. 1

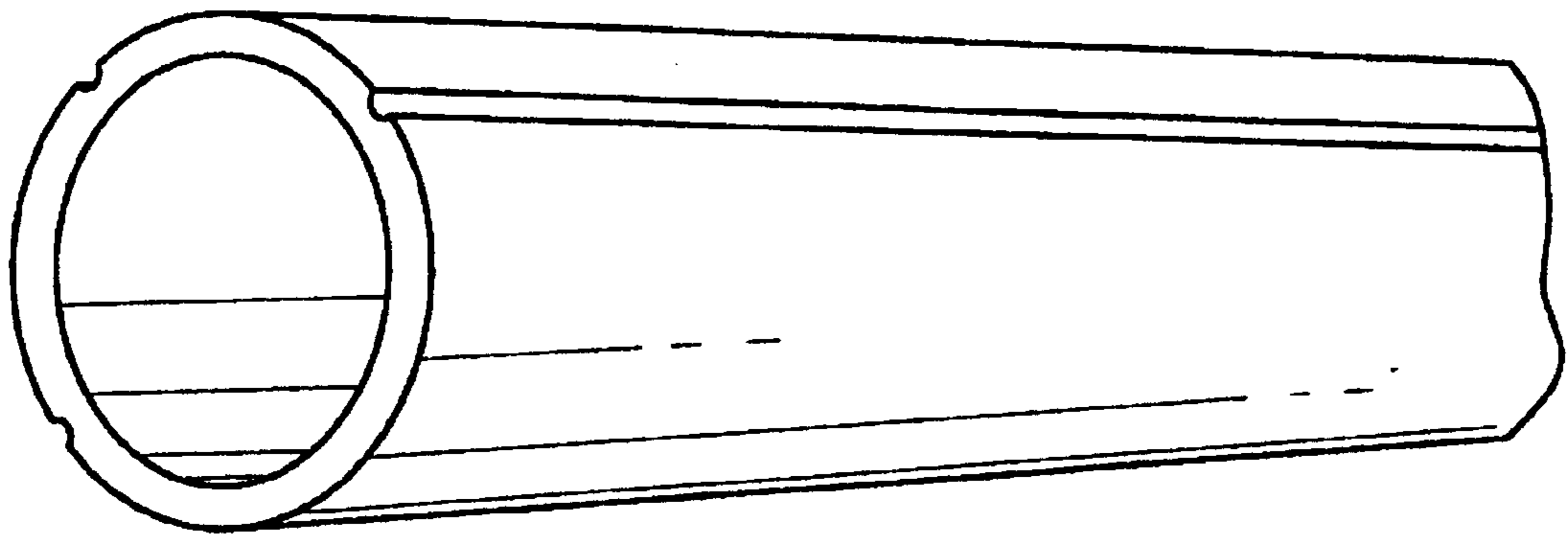


FIG. 2

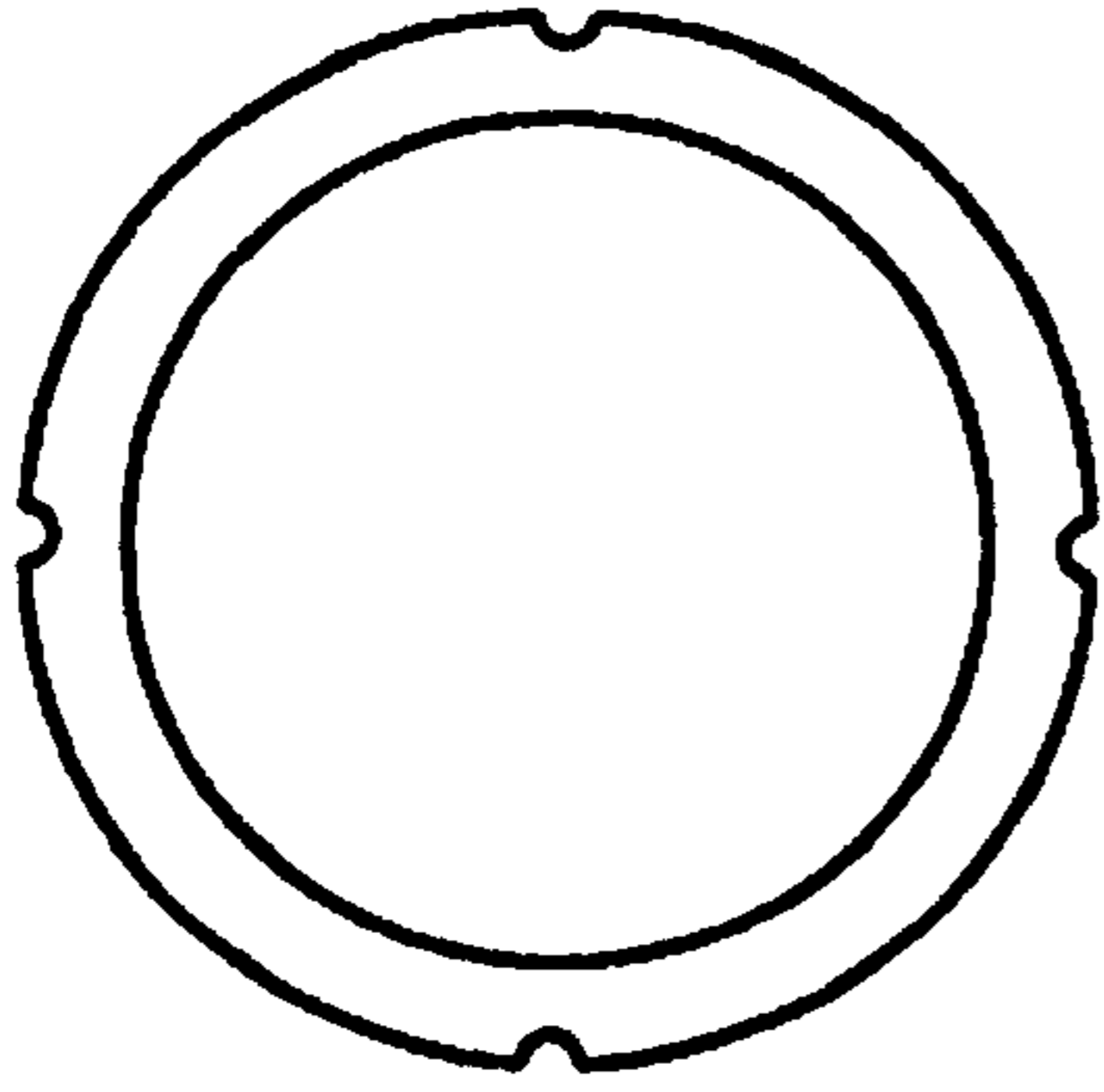


FIG. 3

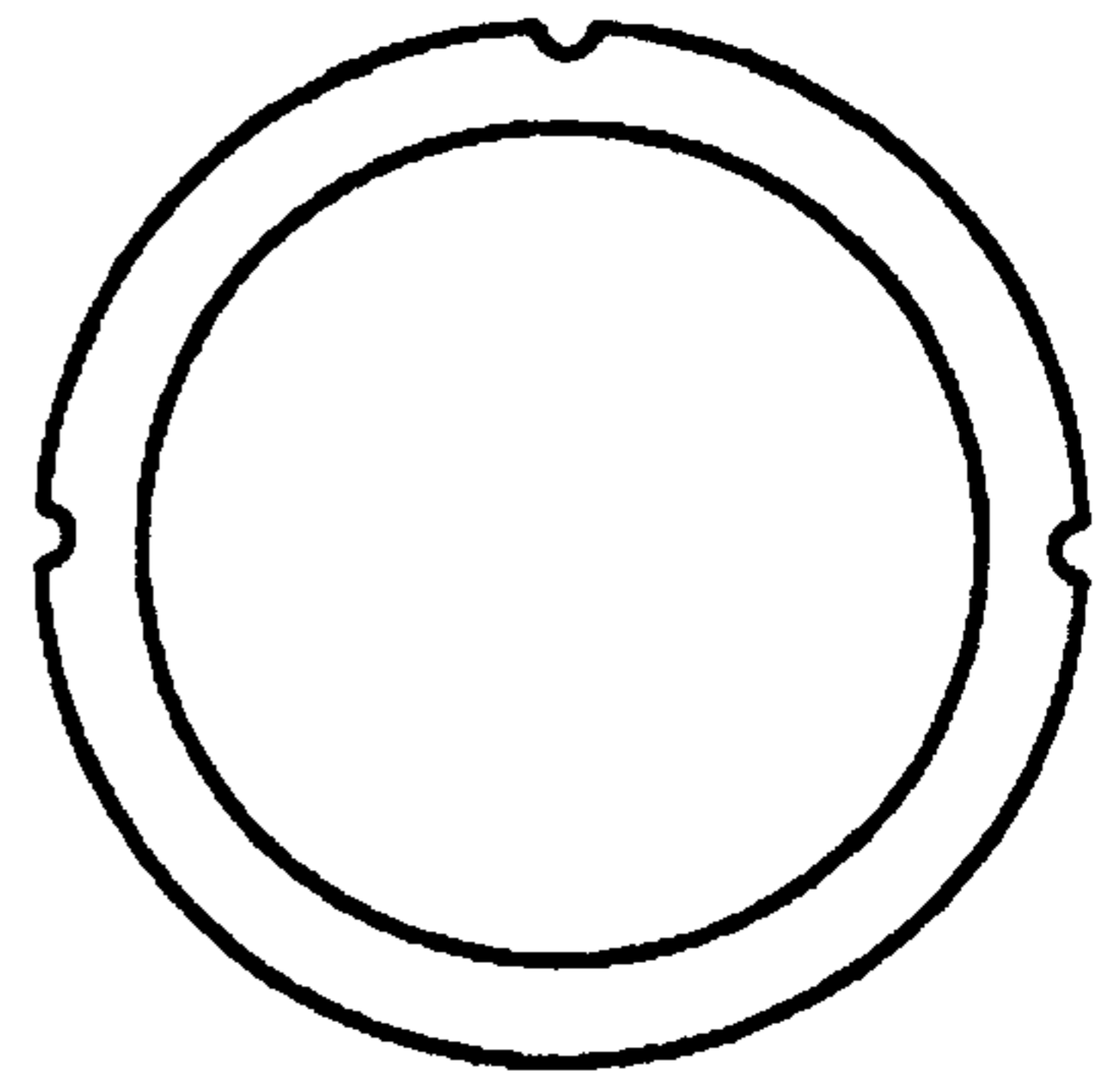


FIG. 4