



US00D445168S

(12) **United States Design Patent**  
**Czerwinski, Jr.**

(10) **Patent No.:** **US D445,168 S**

(45) **Date of Patent:** **\*\* Jul. 17, 2001**

(54) **FAUCET HANDLE**

(75) **Inventor:** **Jerome F. Czerwinski, Jr.**, Long Beach, CA (US)

(73) **Assignee:** **Emhart Inc.**, Newark, DE (US)

(\*\*) **Term:** **14 Years**

(21) **Appl. No.:** **29/133,621**

(22) **Filed:** **Dec. 4, 2000**

(51) **LOC (7) Cl.** ..... **23-01**

(52) **U.S. Cl.** ..... **D23/252**

(58) **Field of Search** ..... D23/238-257;  
D8/300-308, 350-354; 4/675-678; 137/801;  
16/110 R, 118, 121

(56) **References Cited**

**U.S. PATENT DOCUMENTS**

D. 99,310	*	4/1936	Ruppel	.....	D8/308
D. 117,908	*	12/1939	Morgan	.....	D8/308
D. 162,724	*	4/1951	Haviland	.....	D8/308
D. 181,822	*	12/1957	Taubman	.....	D8/308
D. 285,597		9/1986	Miller et al.	.	
D. 302,581		8/1989	Ramsey et al.	.	
D. 324,413	*	3/1992	Kohler, Jr. et al.	.....	D23/252
D. 324,905		3/1992	Chretien	.	
D. 339,852		9/1993	Jans	.	
D. 355,348		2/1995	Jans	.	
D. 361,489		8/1995	Carsello	.	
D. 364,213		11/1995	Dannenberg et al.	.	
D. 383,831	*	9/1997	Esche et al.	.....	D23/252

D. 388,156	12/1997	Hill et al.	.
D. 391,351	2/1998	Ko	.
D. 397,205	8/1998	Kergoet	.
D. 398,039	9/1998	Ku	.
D. 399,926	10/1998	Lord	.
5,873,389	2/1999	Cheng	.

\* cited by examiner

*Primary Examiner*—Louis S. Zarfes

*Assistant Examiner*—Gregory Andoll

(74) *Attorney, Agent, or Firm*—Richard J. Veltman; John D. Del Ponti

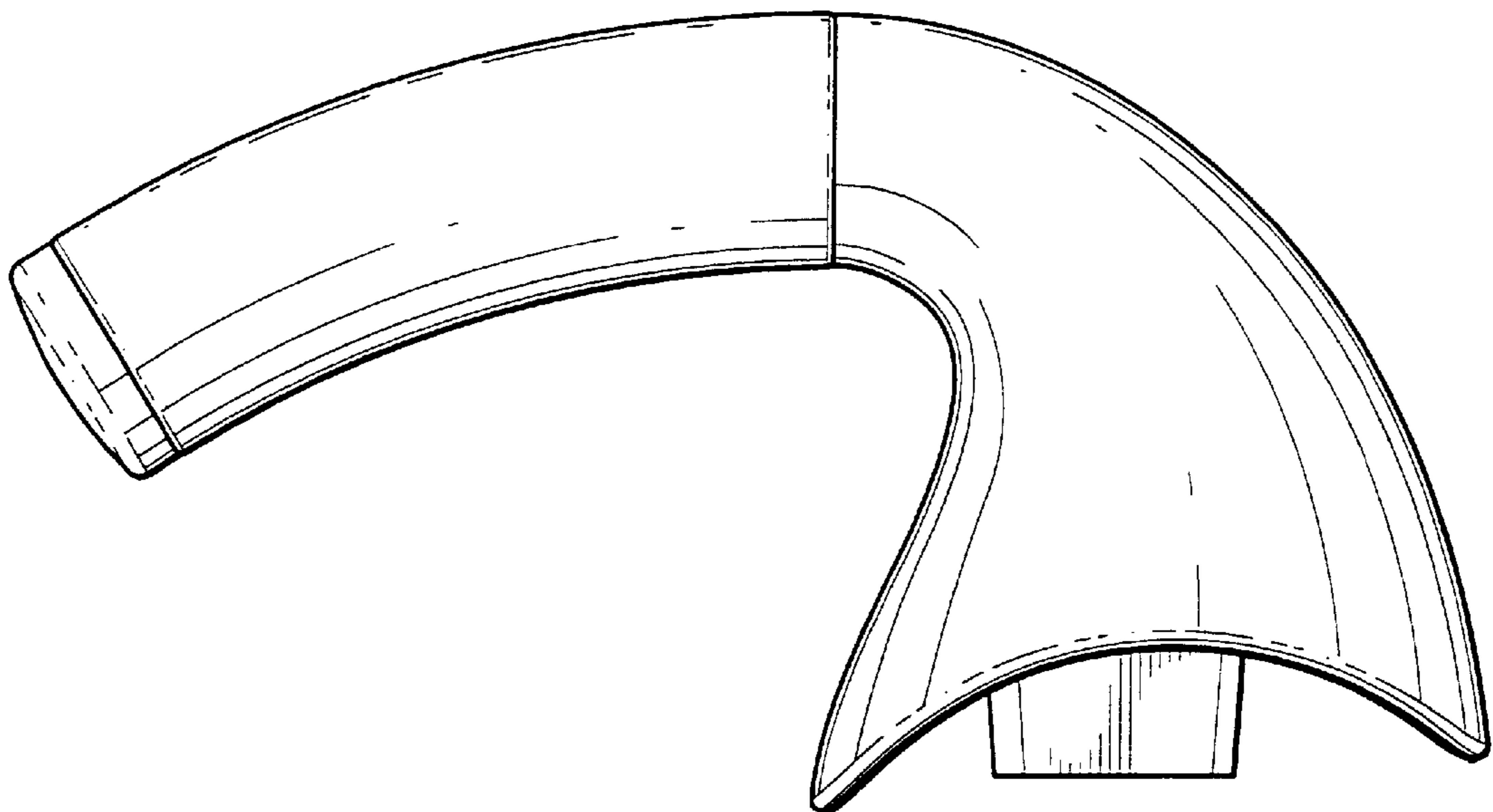
(57) **CLAIM**

The ornamental design for a faucet handle, as shown and described.

**DESCRIPTION**

FIG. 1 is a perspective view of the new design of a faucet handle;  
 FIG. 2 is a top plan view of the new design of a faucet handle;  
 FIG. 3 is a bottom plan view of the new design of a faucet handle;  
 FIG. 4 is a front elevational view of the new design of a faucet handle;  
 FIG. 5 is a left side elevational view of the new design of a faucet handle; and,  
 FIG. 6 is a back elevational view of the new design of a faucet handle.

**1 Claim, 2 Drawing Sheets**



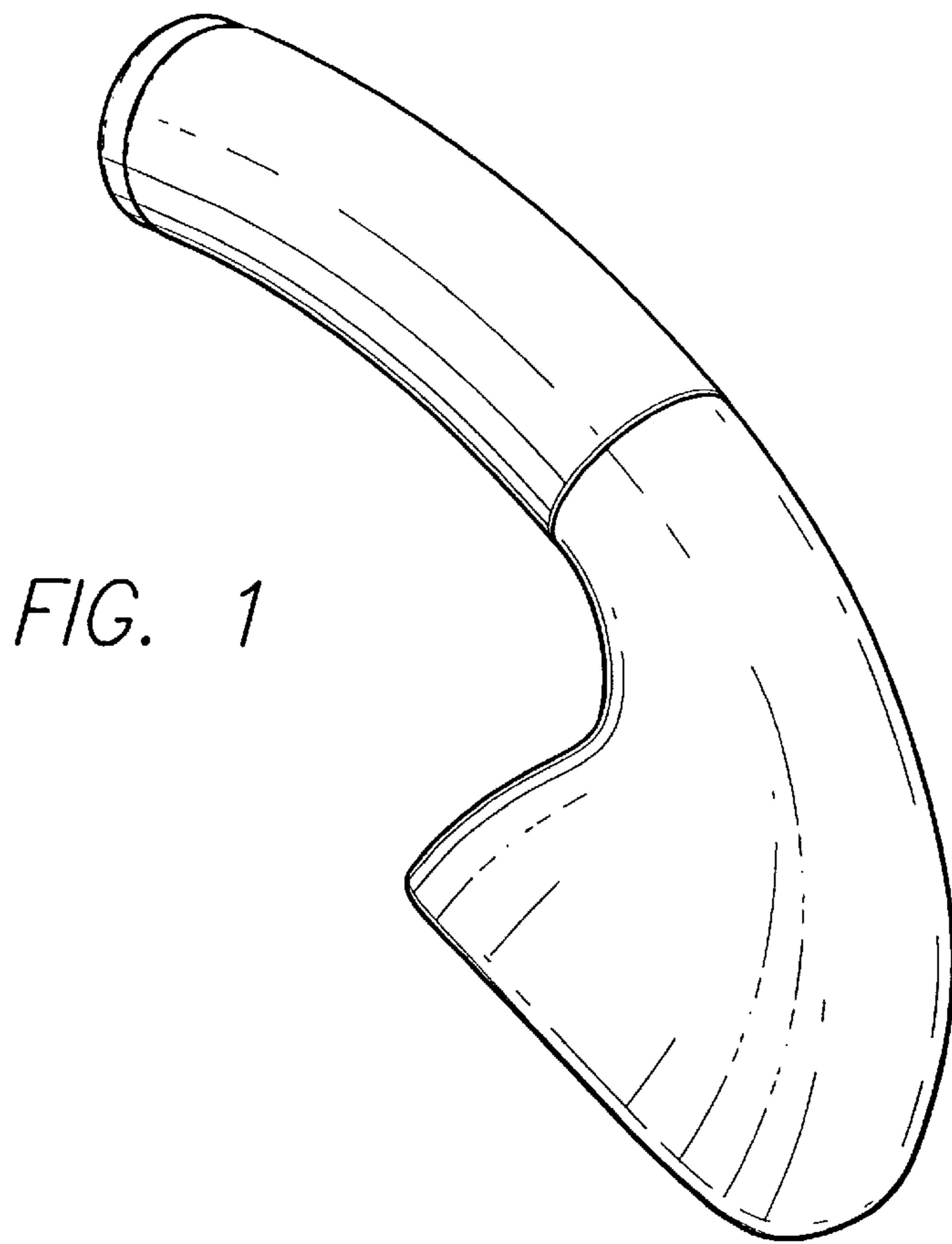


FIG. 1

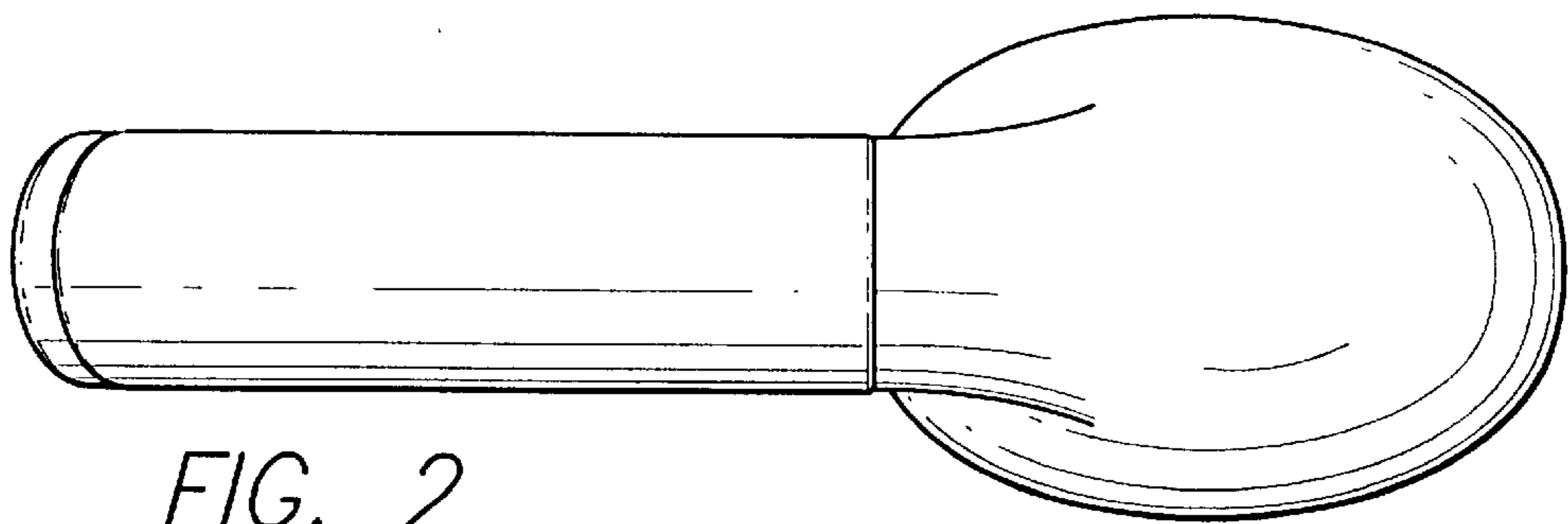


FIG. 2

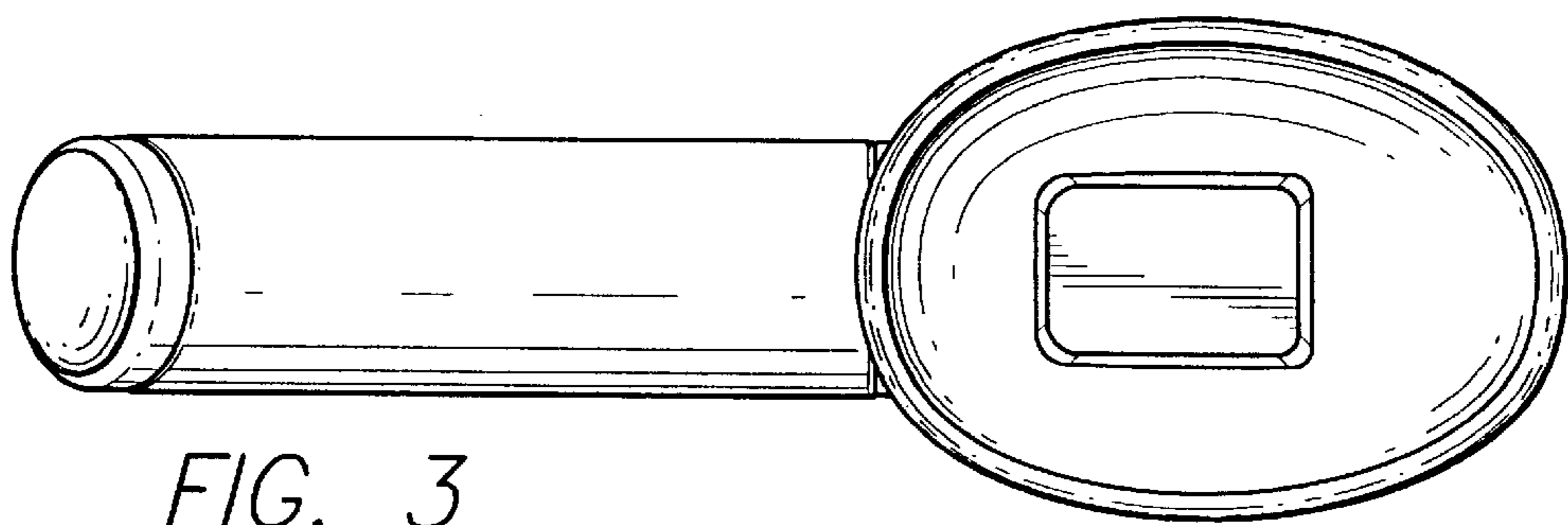


FIG. 3

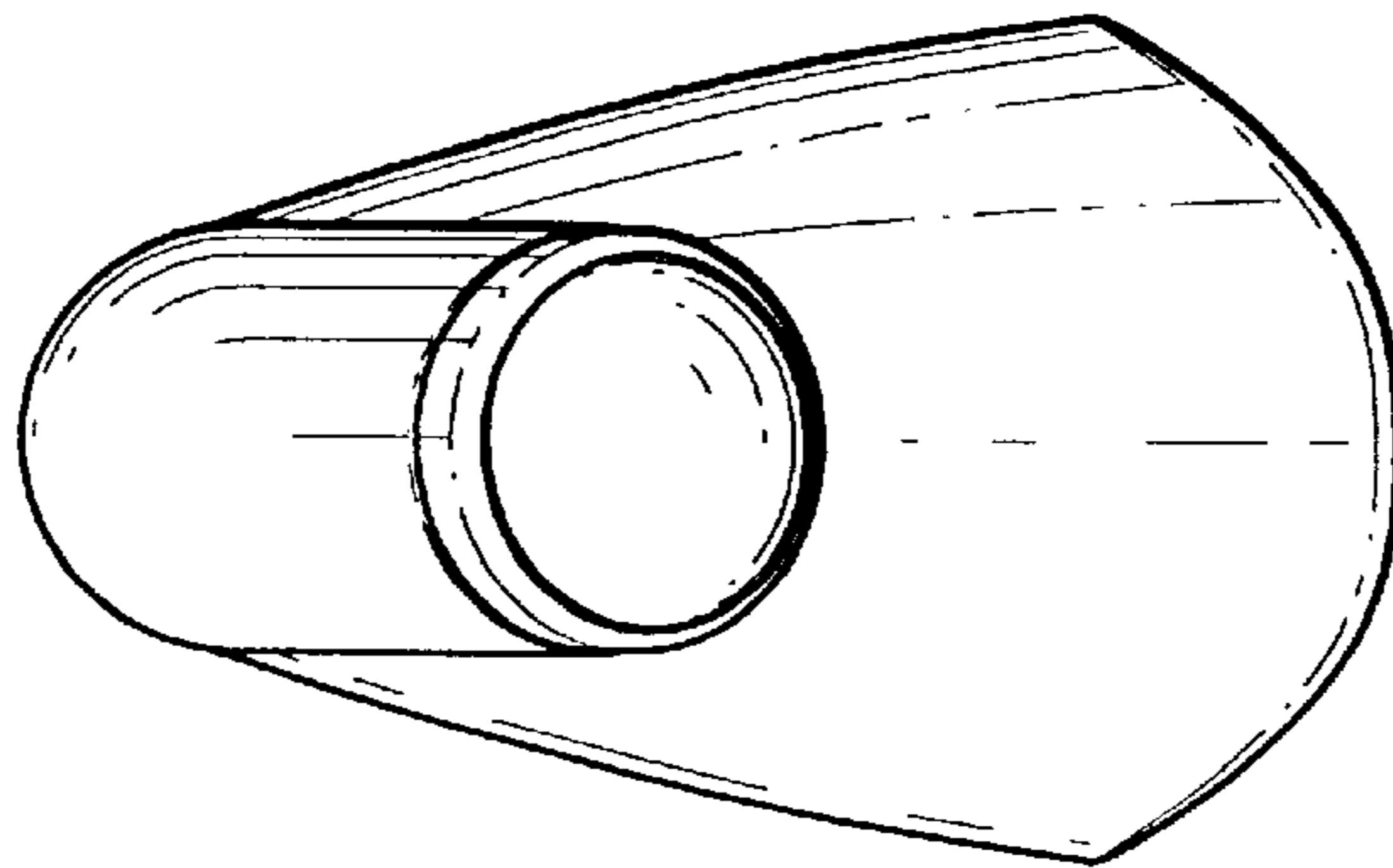


FIG. 4

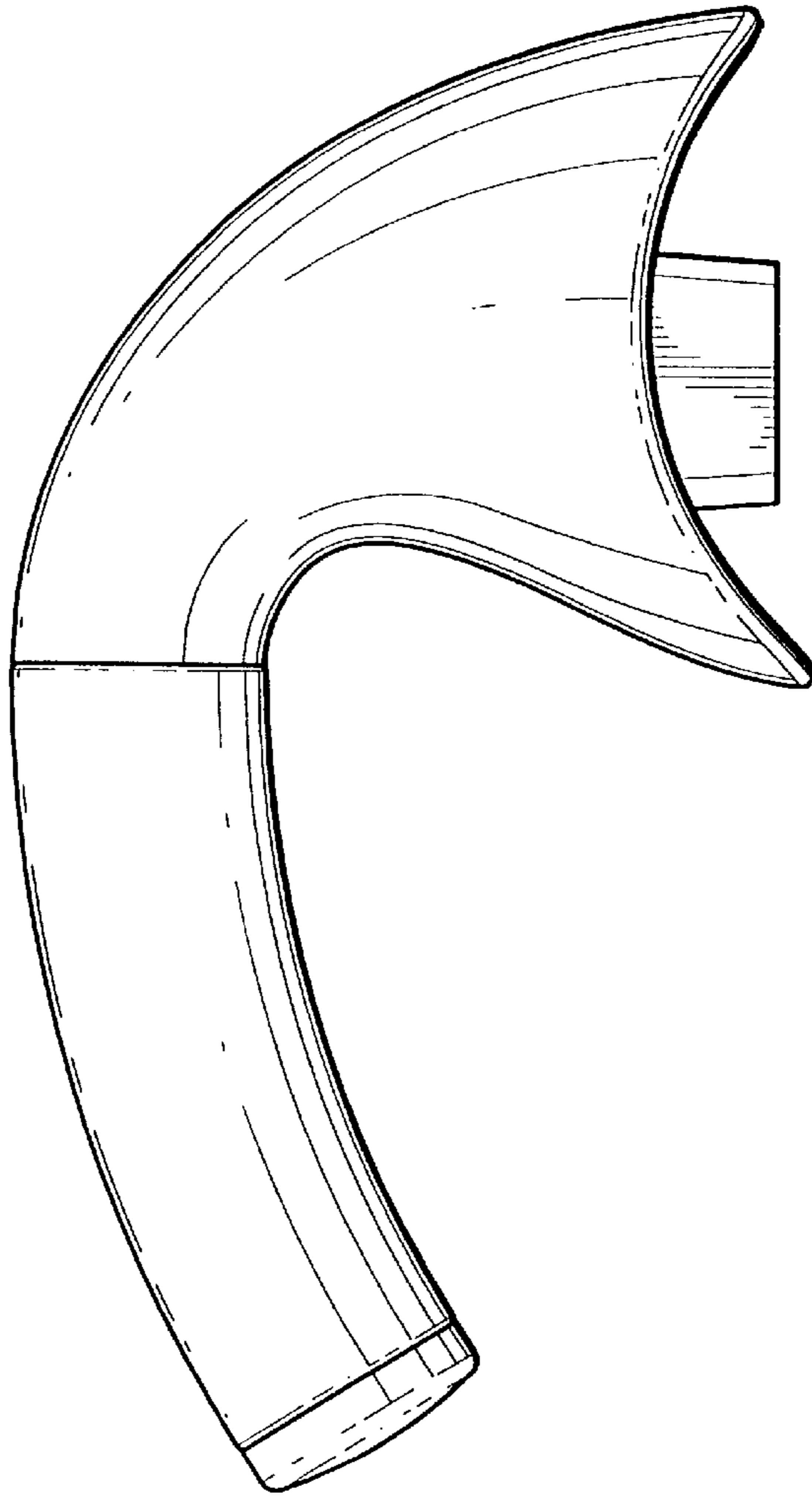


FIG. 5

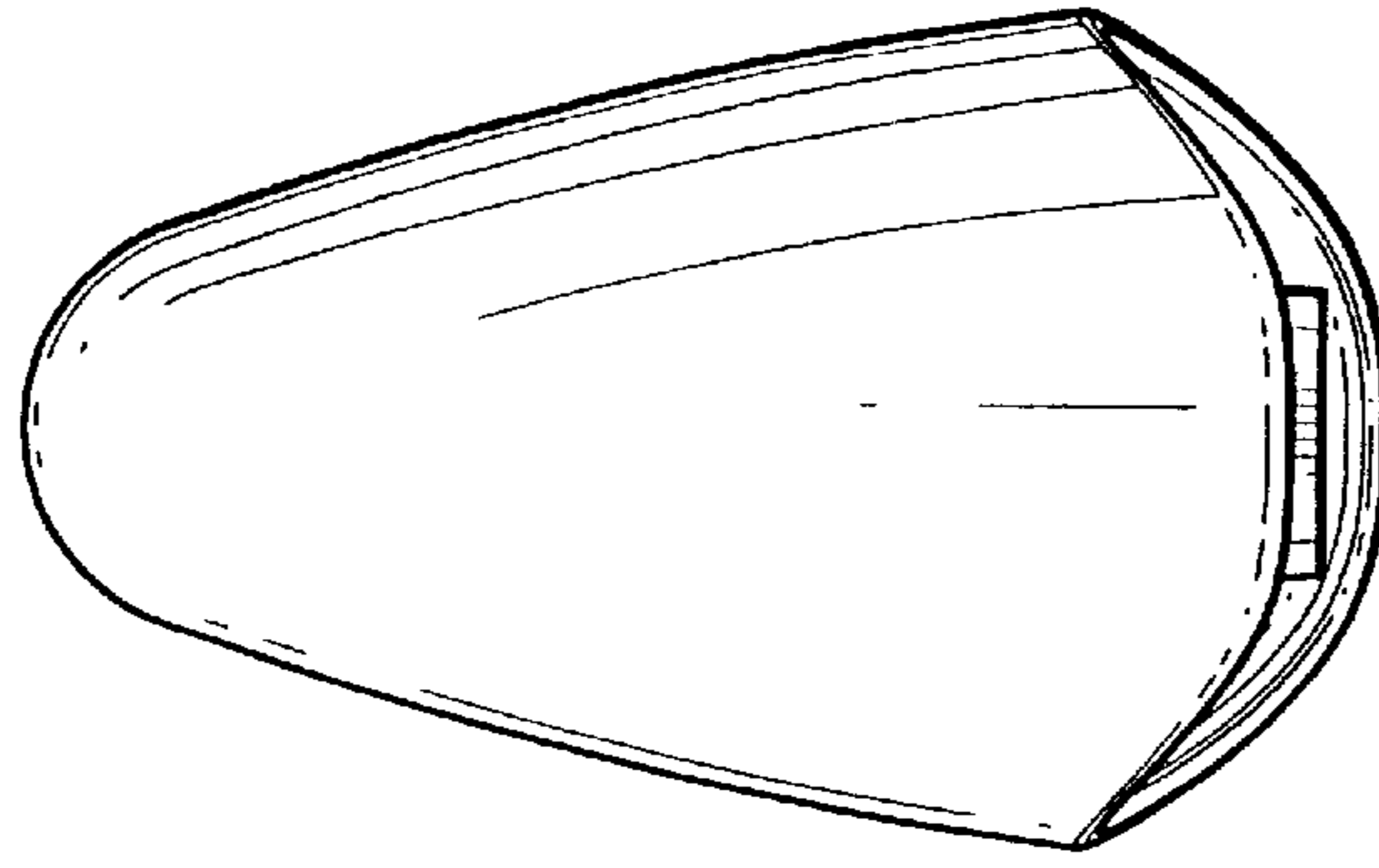


FIG. 6