



US00D445167S

(12) **United States Design Patent**
Spangler

(10) **Patent No.:** **US D445,167 S**

(45) **Date of Patent:** **** Jul. 17, 2001**

(54) **TUB/SHOWER FAUCET BODY**

D. 432,214 * 10/2000 Spangler D23/238
D. 435,287 * 12/2000 Fleischmann D23/238

(75) Inventor: **Anthony Spangler**, Greensburg, IN (US)

* cited by examiner

(73) Assignee: **Masco Corporation of Indiana**, Indianapolis, IN (US)

Primary Examiner—Louis S. Zarfaz

Assistant Examiner—Gregory Andoll

(**) Term: **14 Years**

(74) *Attorney, Agent, or Firm*—Kwadjo Adusei-Poku; Lloyd D. Doigan

(21) Appl. No.: **29/132,433**

(57) **CLAIM**

(22) Filed: **Nov. 8, 2000**

The ornamental design for a tub/shower faucet body, as shown and described.

(51) **LOC (7) Cl.** **23-01**

DESCRIPTION

(52) **U.S. Cl.** **D23/238**

(58) **Field of Search** D23/238–243, D23/245, 249–257; D8/300–310, 350–354; 4/675–678; 16/110 R–121; 137/801

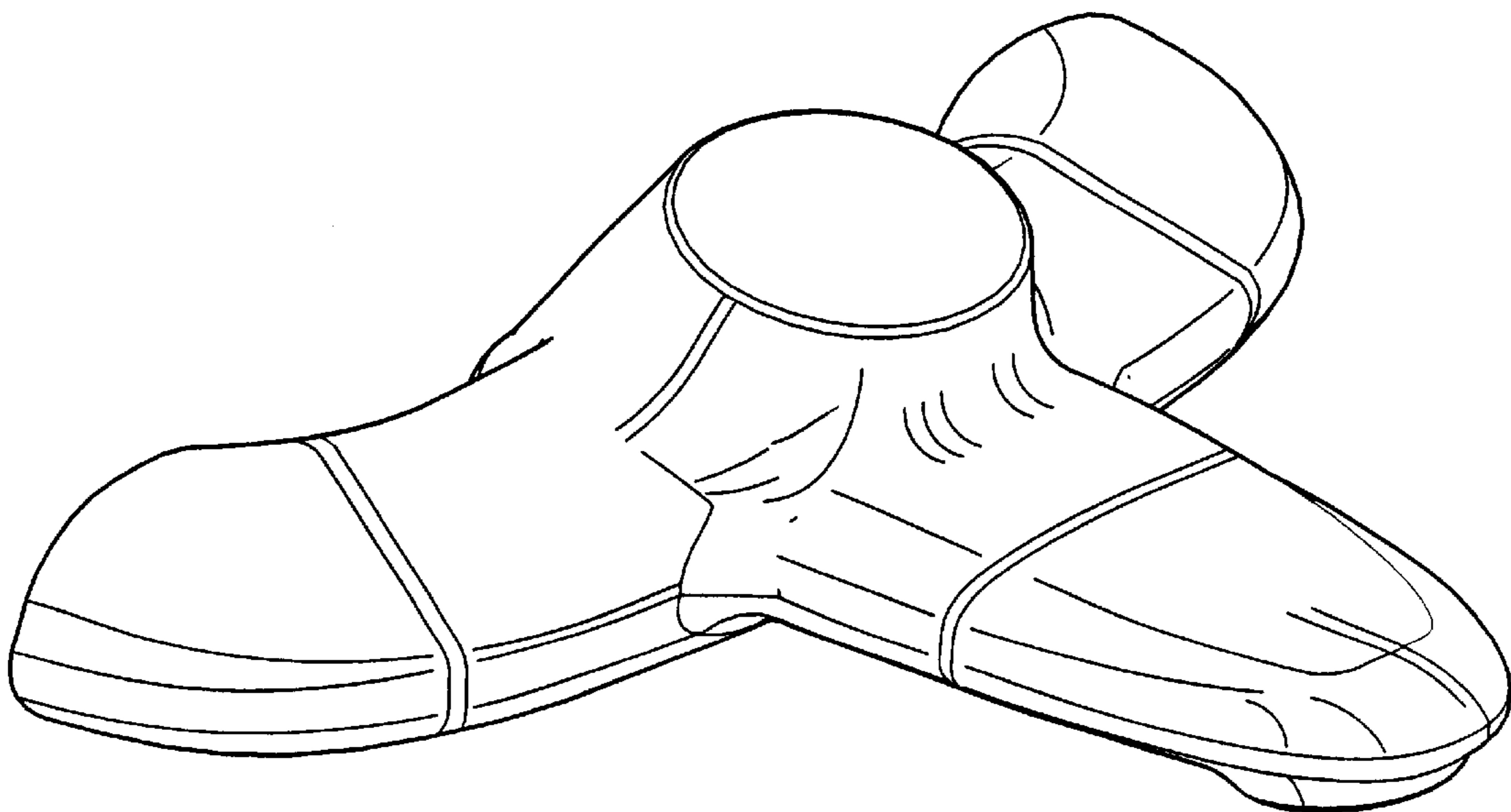
FIG. 1 is a front perspective view of a tub/shower faucet body showing my new design;
FIG. 2 is a rear perspective view thereof;
FIG. 3 is a front elevational view thereof;
FIG. 4 is a rear elevational view thereof;
FIG. 5 is a top plan view thereof;
FIG. 6 is a bottom view thereof; and,
FIG. 7 is a side elevational view, the other side being a mirror image of the side shown.

(56) **References Cited**

U.S. PATENT DOCUMENTS

- D. 372,518 * 8/1996 Gottwald D23/238
- D. 381,066 * 7/1997 Hill et al. D23/238
- D. 423,644 * 4/2000 Feigl et al. D23/238
- D. 428,967 * 8/2000 Spangler D23/238

1 Claim, 3 Drawing Sheets



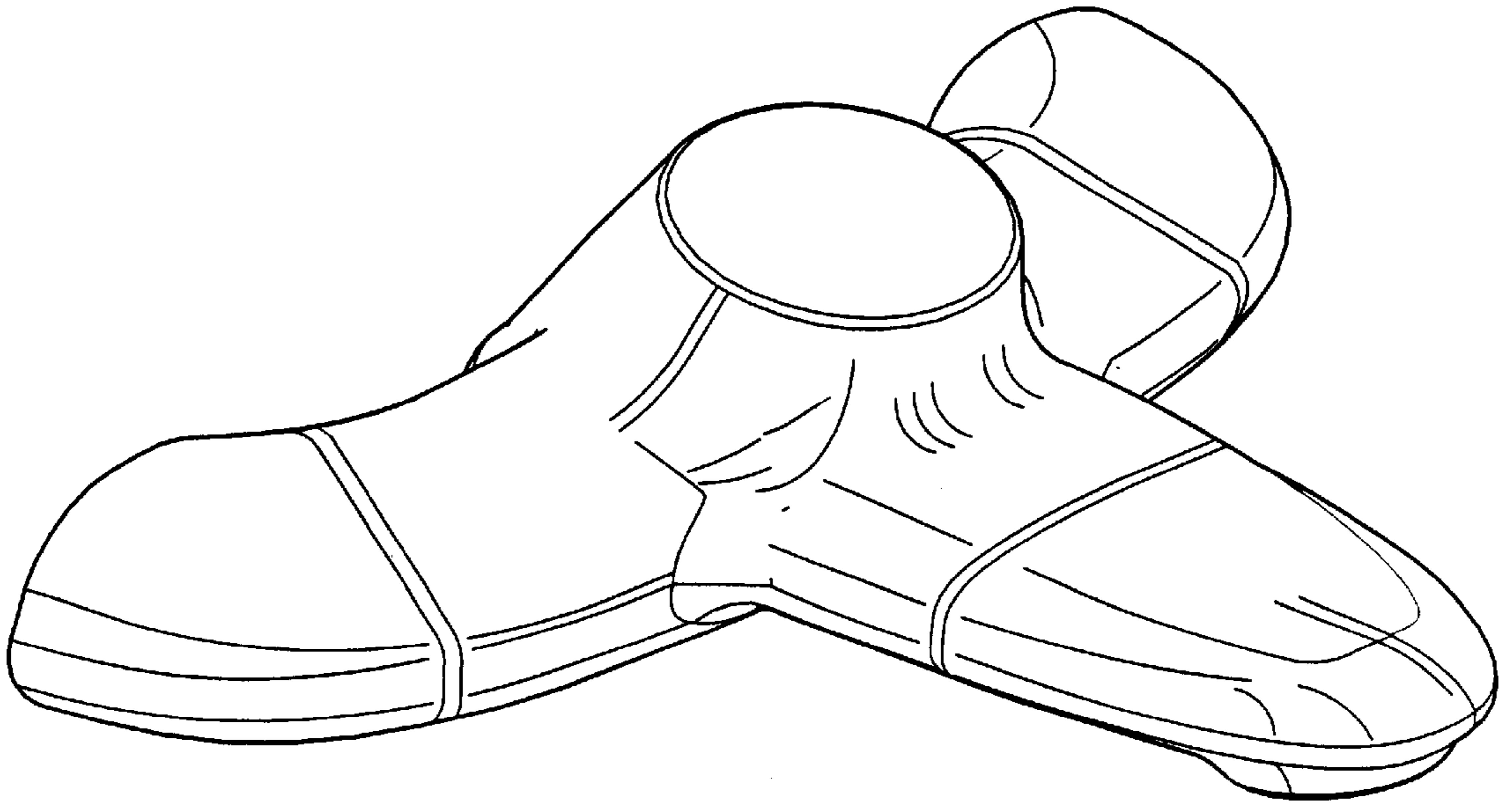


Fig-1

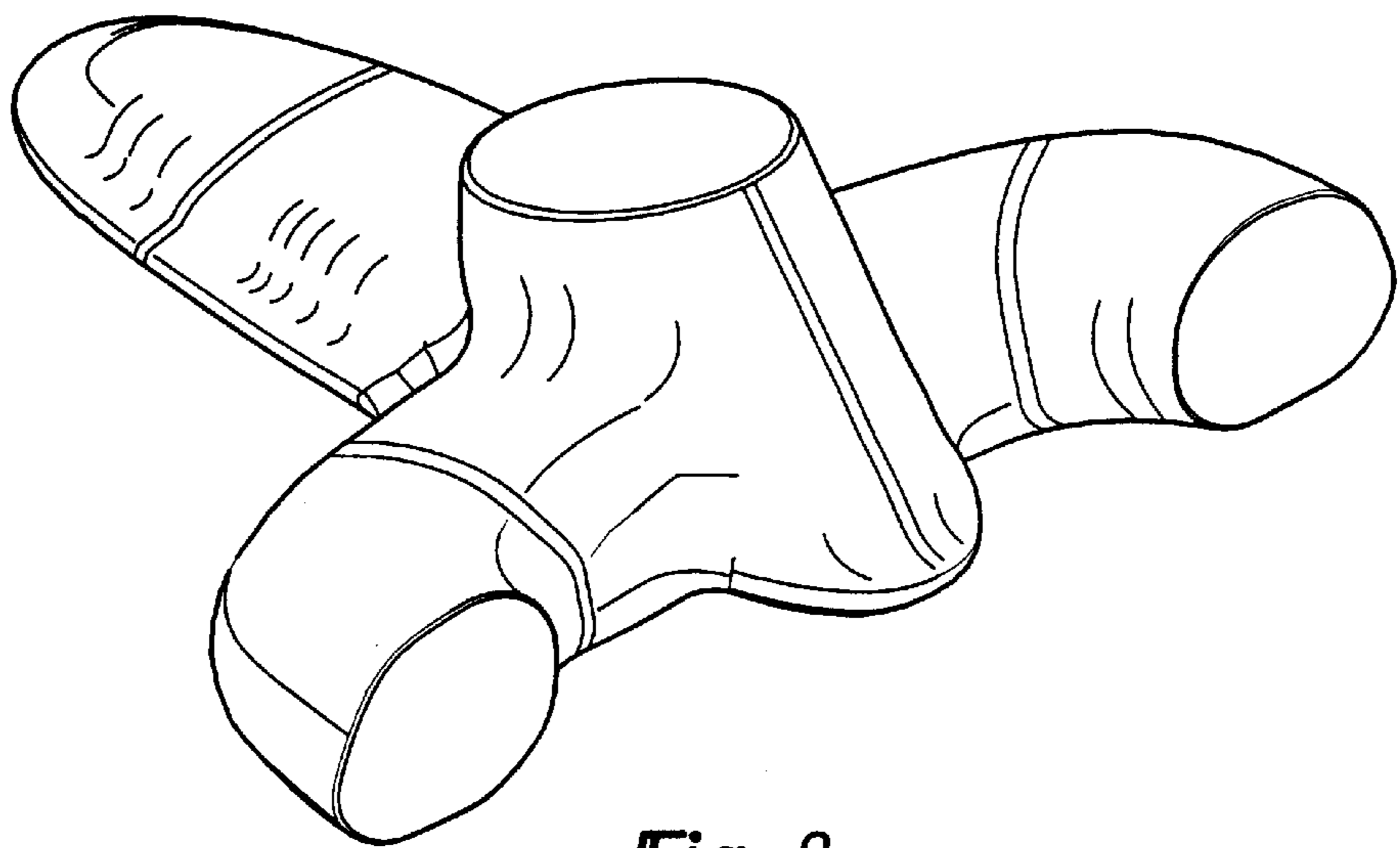


Fig-2

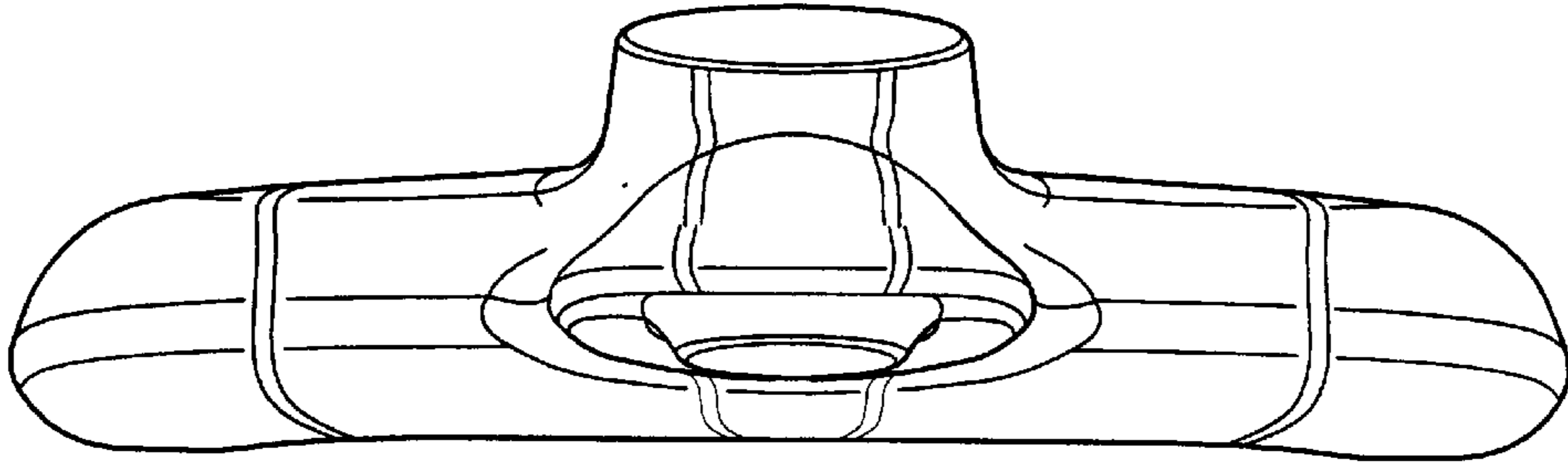


Fig-3

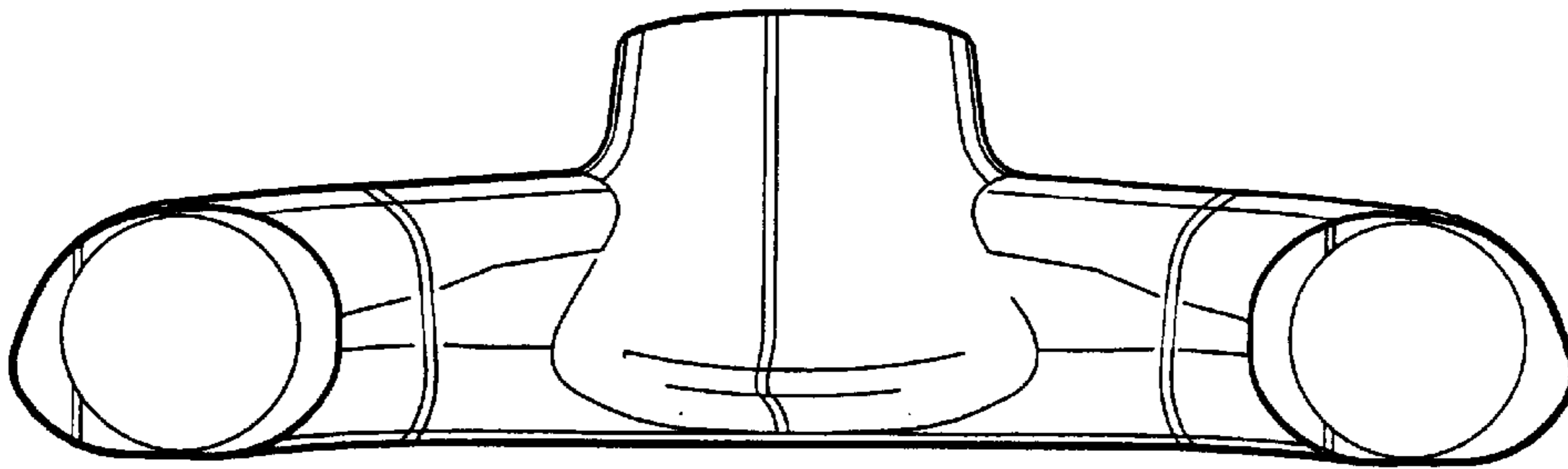


Fig-4

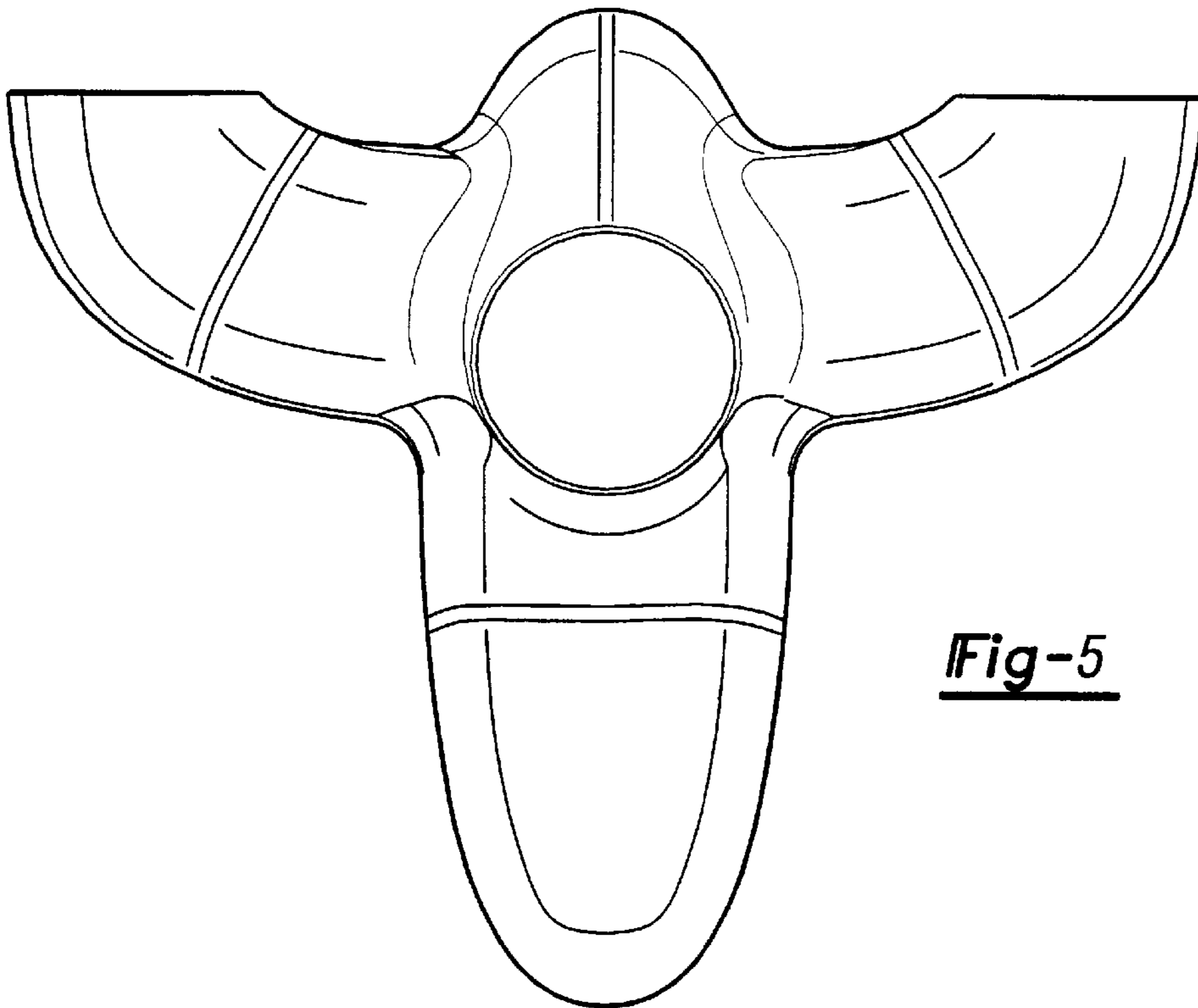


Fig-5

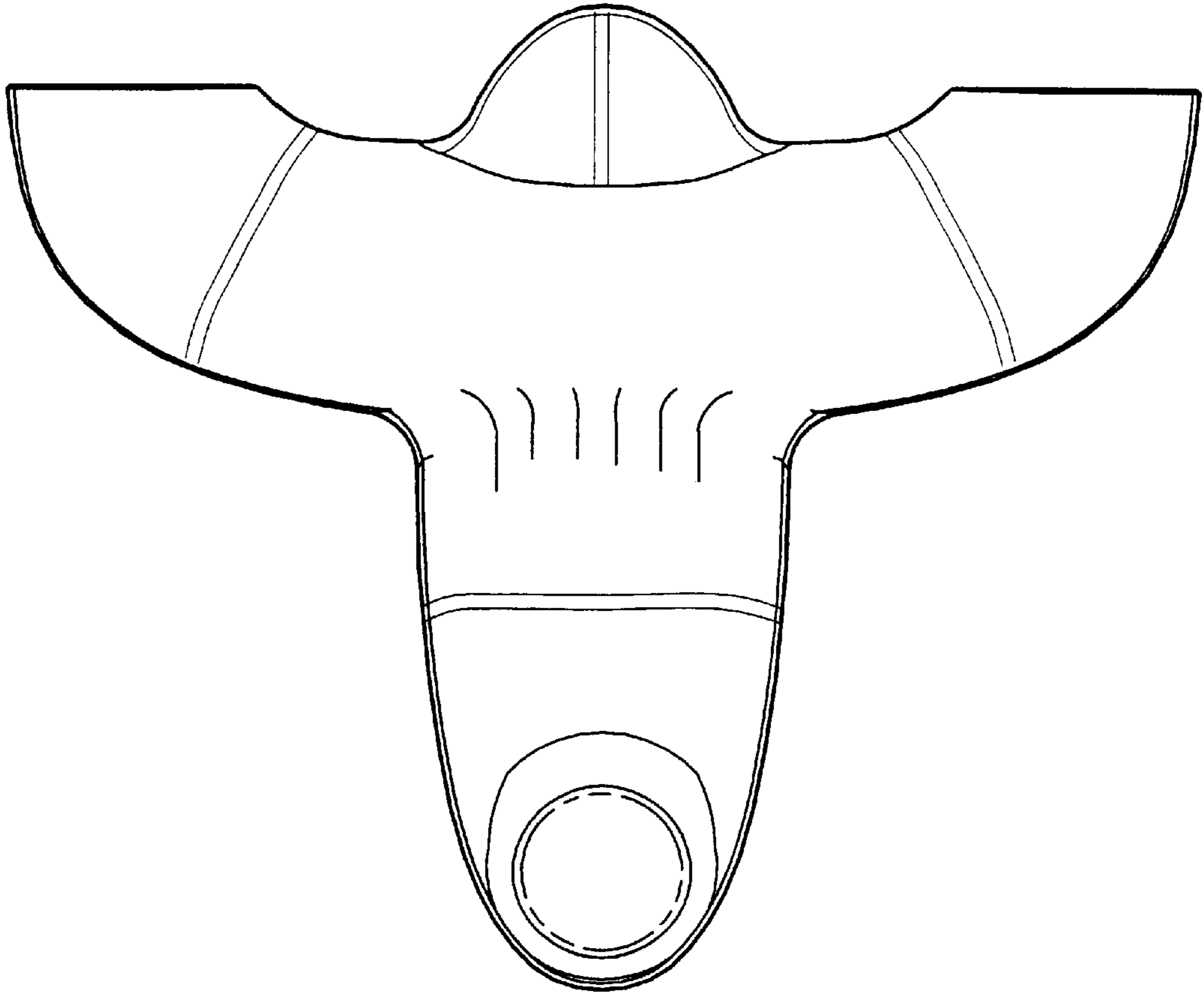


Fig-6

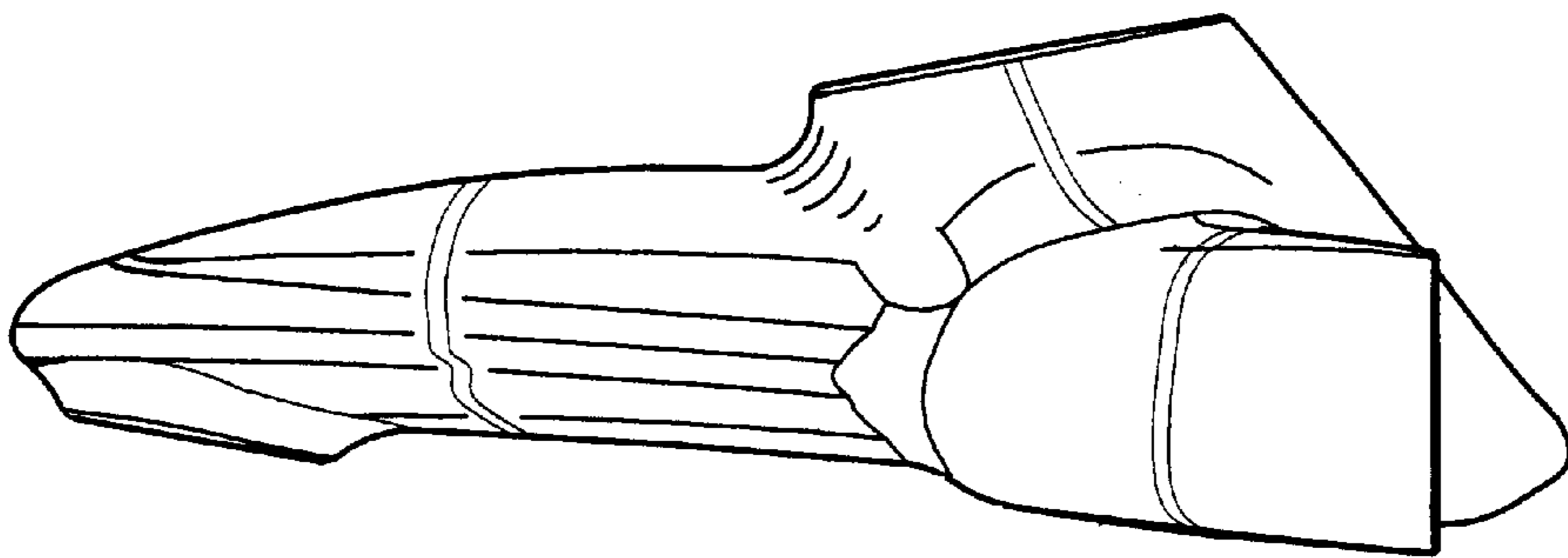


Fig-7