



US00D445166S

(12) **United States Design Patent**  
**Spangler**

(10) **Patent No.:** **US D445,166 S**

(45) **Date of Patent:** **\*\* Jul. 17, 2001**

(54) **TUB/SHOWER FAUCET BODY**

D. 432,214 \* 10/2000 Spangler ..... D23/238  
D. 435,287 \* 12/2000 Fleischmann ..... D23/238

(75) Inventor: **Anthony Spangler**, Greensburg, IN (US)

\* cited by examiner

(73) Assignee: **Masco Corporation of Indiana**, Indianapolis, IN (US)

*Primary Examiner*—Louis S. Zarfes

*Assistant Examiner*—Gregory Andoll

(\*\*) Term: **14 Years**

(74) *Attorney, Agent, or Firm*—Kwadjo Adusei-Poku; Lloyd D. Doigan

(21) Appl. No.: **29/132,413**

(57) **CLAIM**

(22) Filed: **Nov. 8, 2000**

The ornamental design for a tub/shower faucet body, as shown and described.

(51) **LOC (7) Cl.** ..... **23-01**

**DESCRIPTION**

(52) **U.S. Cl.** ..... **D23/238**

(58) **Field of Search** ..... D23/238–243, D23/245, 249–257; D8/300–310, 350–354; 4/675–678; 16/110 R–121; 137/801

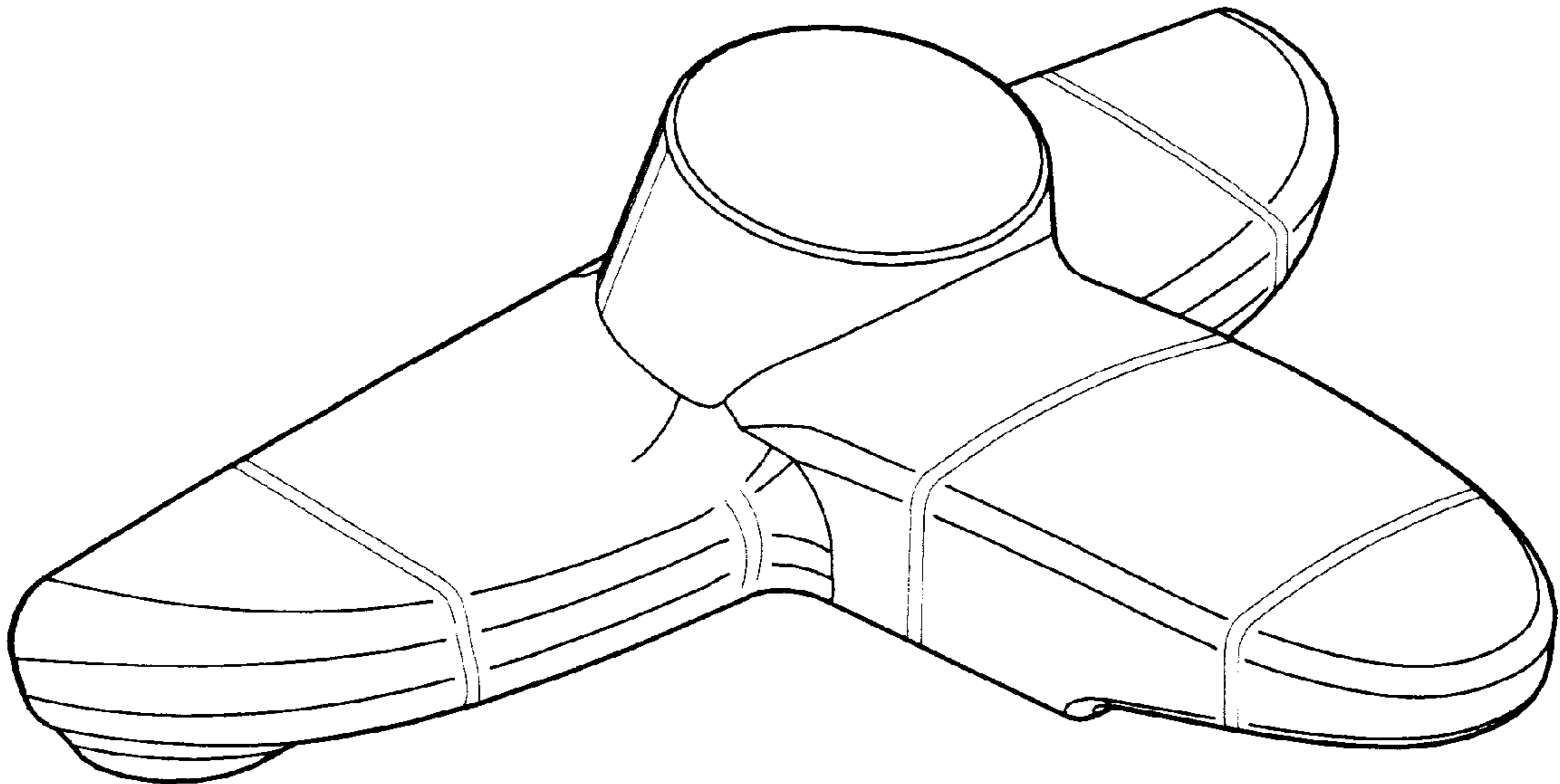
FIG. 1 is a front perspective view of a tub/shower faucet body showing my new design;  
FIG. 2 is a rear perspective view thereof;  
FIG. 3 is a front elevational view thereof;  
FIG. 4 is a top plan view thereof;  
FIG. 5 is a bottom plan view thereof;  
FIG. 6 is a rear elevational view thereof; and,  
FIG. 7 is a side elevational view, the other side being a mirror image of the side shown.

(56) **References Cited**

**U.S. PATENT DOCUMENTS**

- D. 372,518 \* 8/1996 Gottwald ..... D23/238
- D. 381,066 \* 7/1997 Hill et al. .... D23/238
- D. 423,644 \* 4/2000 Feigl et al. .... D23/238
- D. 428,967 \* 8/2000 Spanger ..... D23/238

**1 Claim, 3 Drawing Sheets**



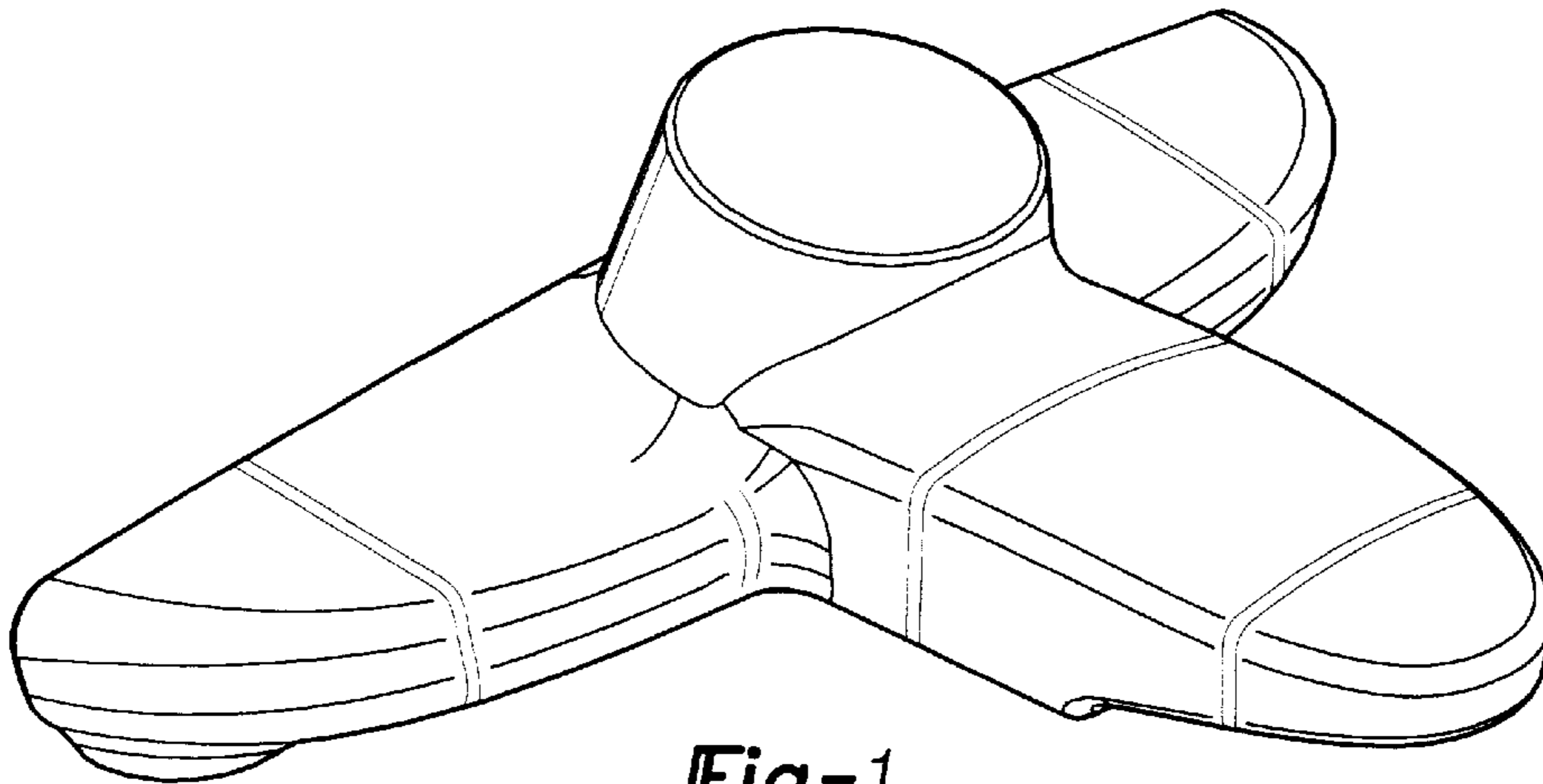


Fig-1

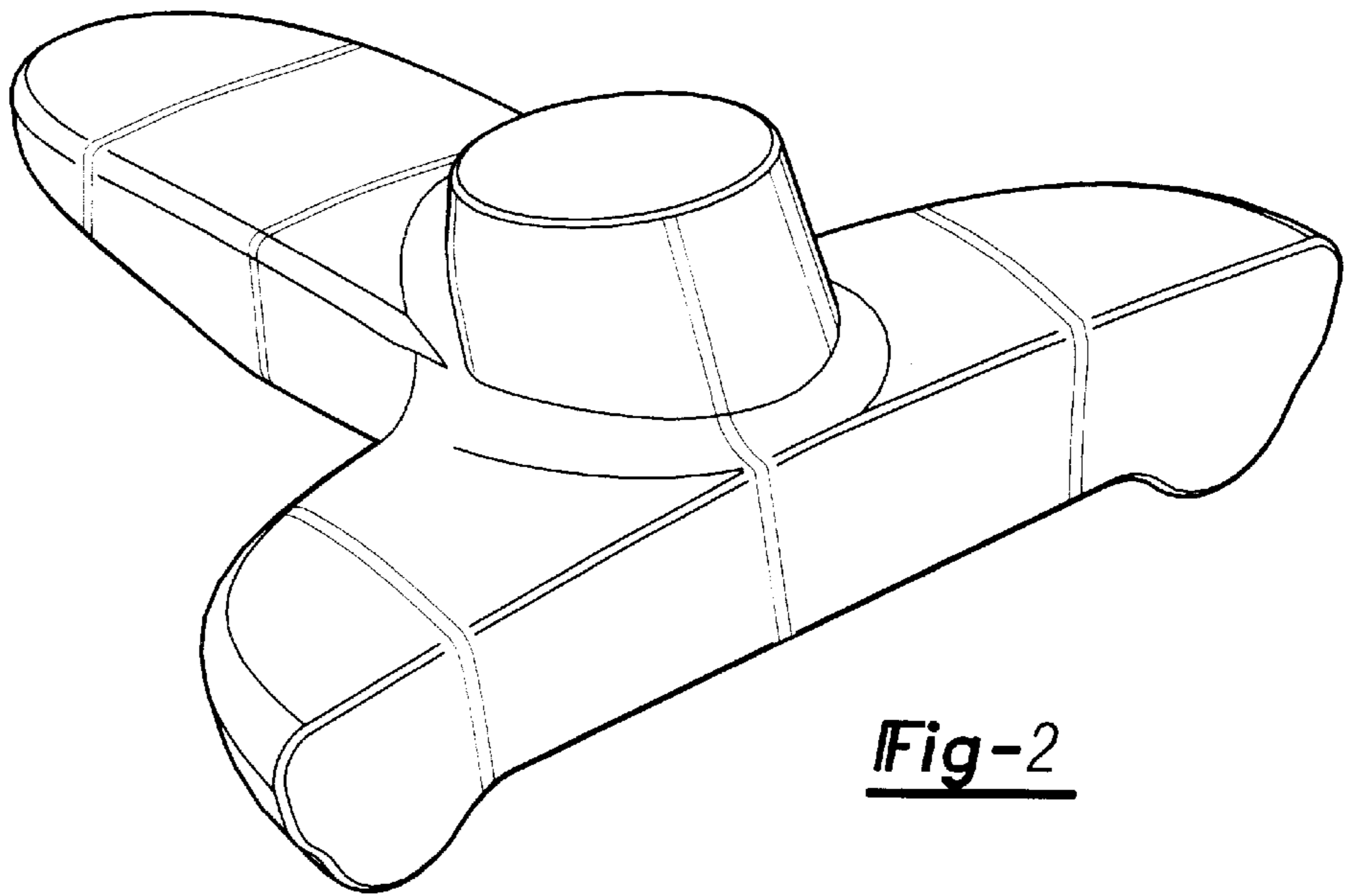


Fig-2

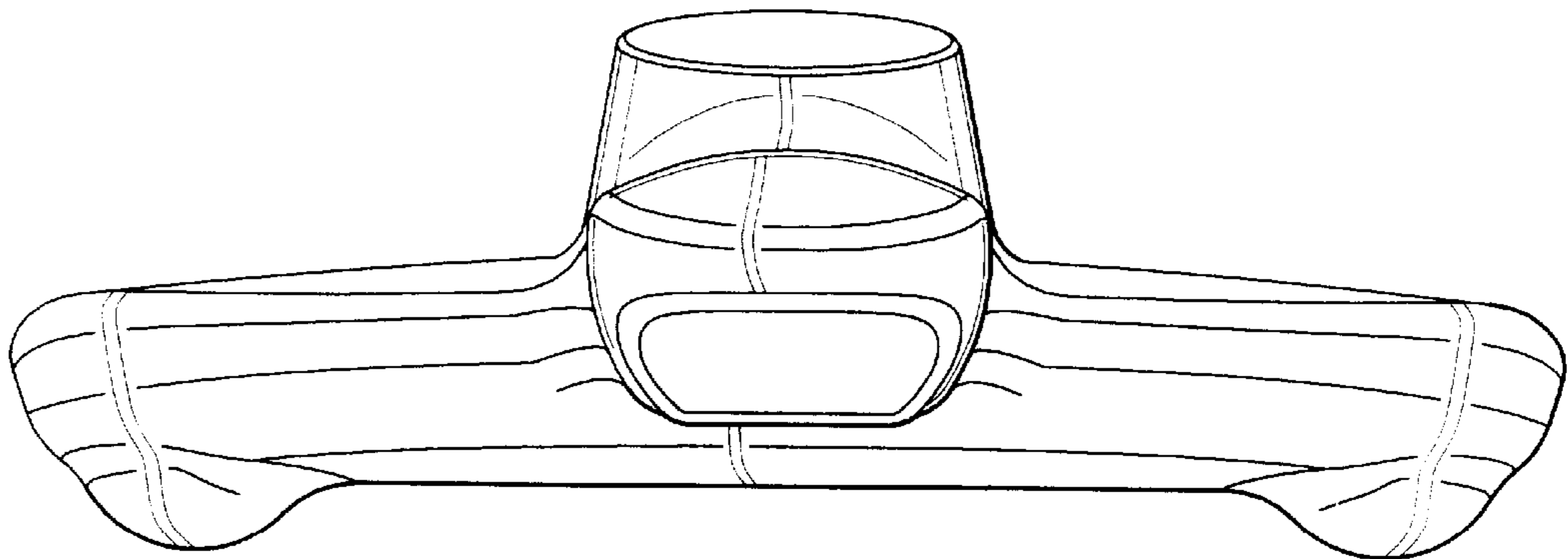


Fig-3

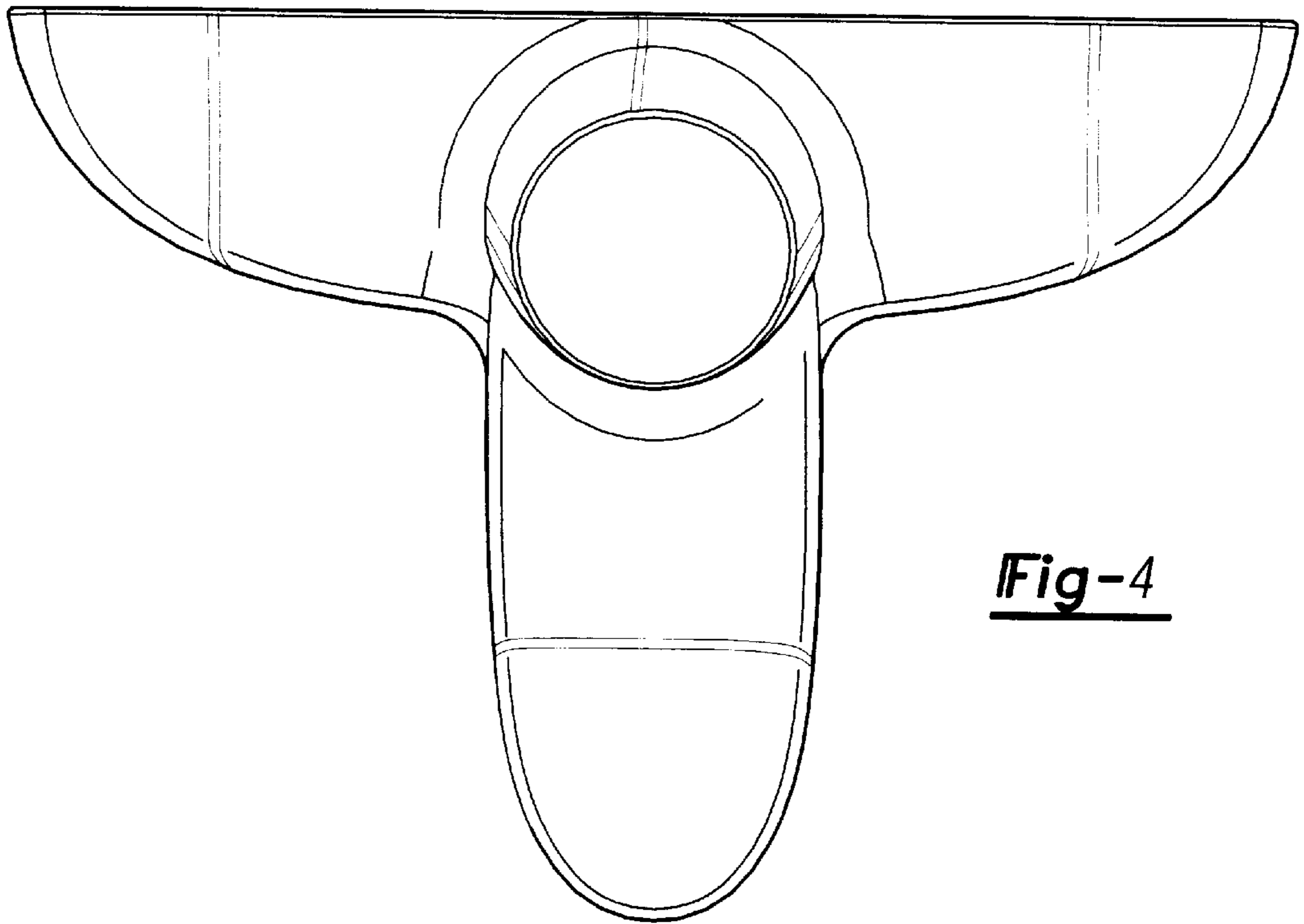


Fig-4

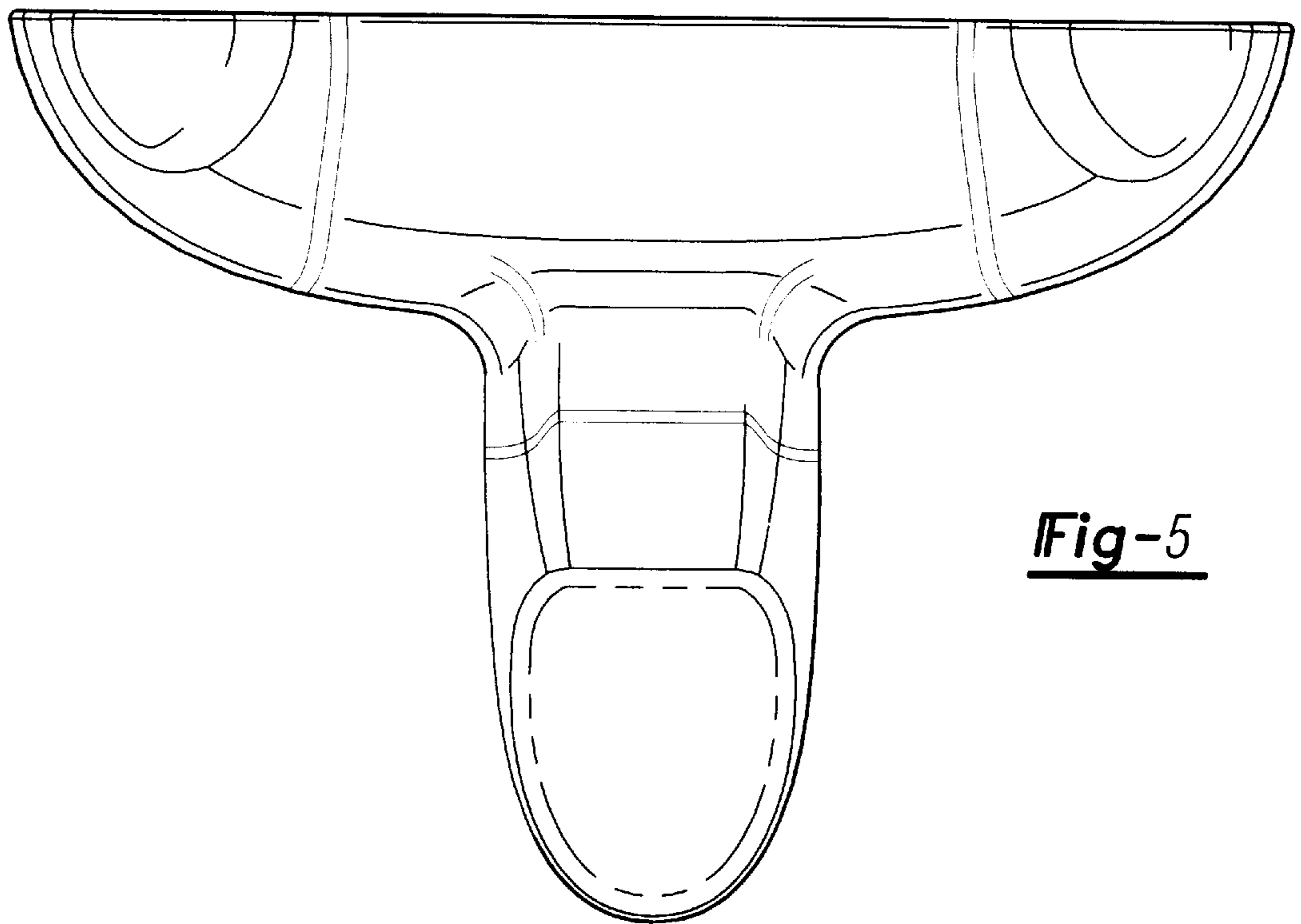


Fig-5

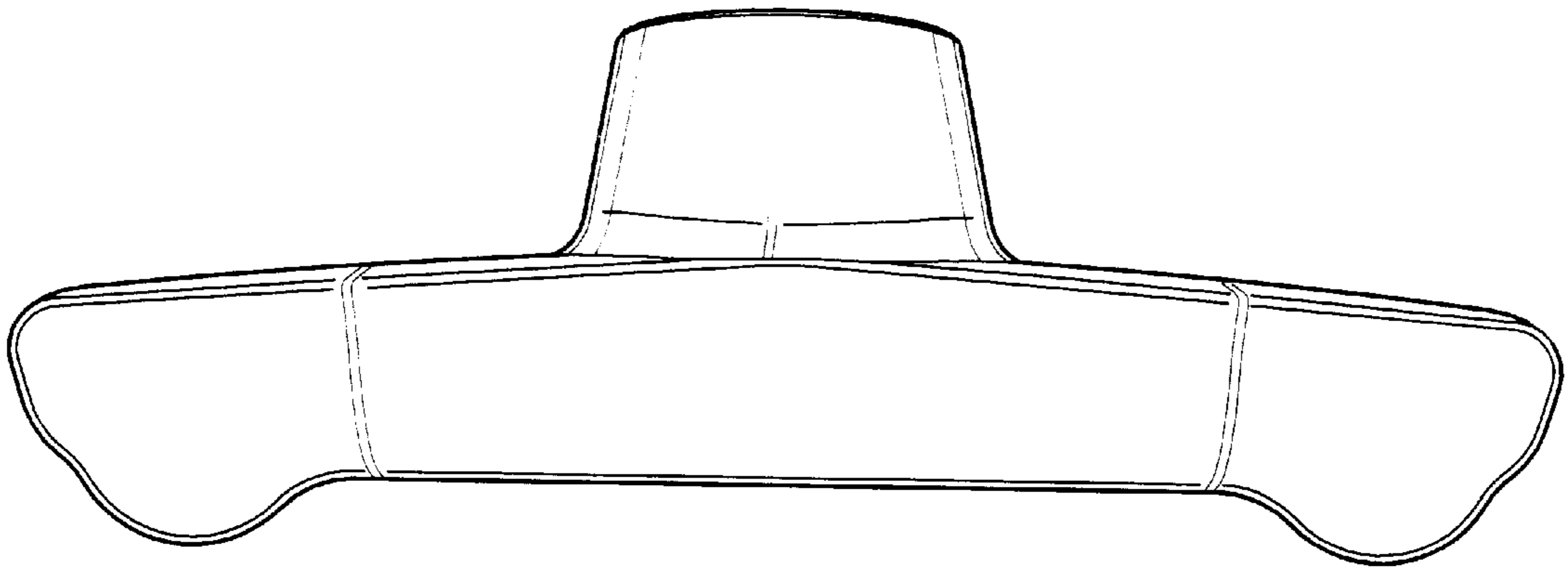


Fig-6

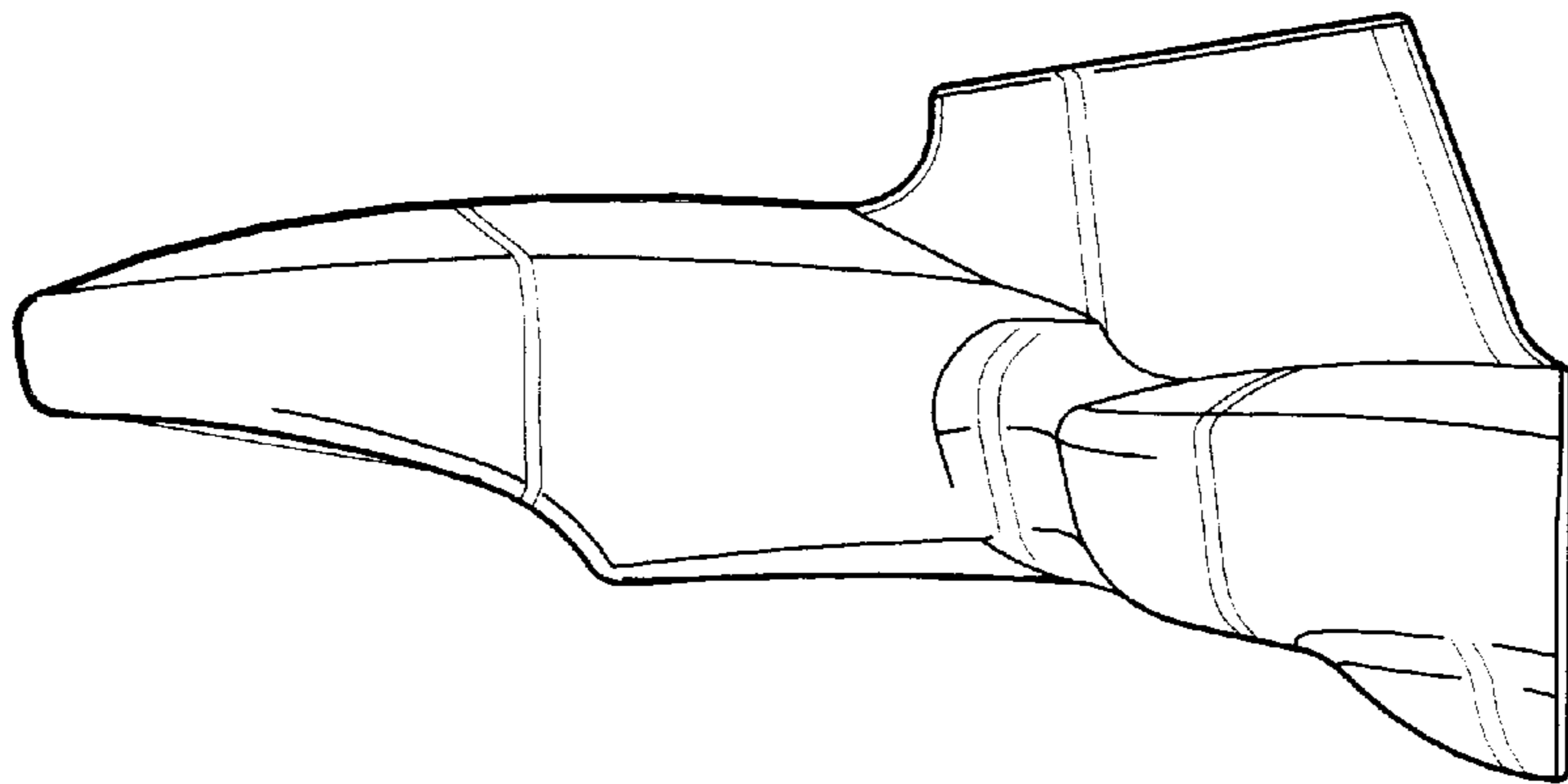


Fig-7