



US00D445164S

(12) **United States Design Patent**
Adams

(10) **Patent No.:** **US D445,164 S**

(45) **Date of Patent:** **** Jul. 17, 2001**

(54) **FIRE PROTECTION SPRAY NOZZLE**

D. 311,606 * 10/1990 Henry D23/213
4,437,103 * 3/1984 Ikeda 239/601

(75) Inventor: **Robert J. Adams**, St. Charles, IL (US)

* cited by examiner

(73) Assignee: **Spraying Systems Co.**, Wheaton, IL (US)

Primary Examiner—Robin V. Taylor

(74) *Attorney, Agent, or Firm*—Leydig, Voit & Mayer, Ltd.

(**) Term: **14 Years**

(57) **CLAIM**

(21) Appl. No.: **29/131,752**

The ornamental design for a fire protection spray nozzle, as shown and described.

(22) Filed: **Oct. 27, 2000**

(51) **LOC (7) Cl.** **23-01**

(52) **U.S. Cl.** **D23/214**

(58) **Field of Search** D23/213, 214;
169/37, 70, 19

DESCRIPTION

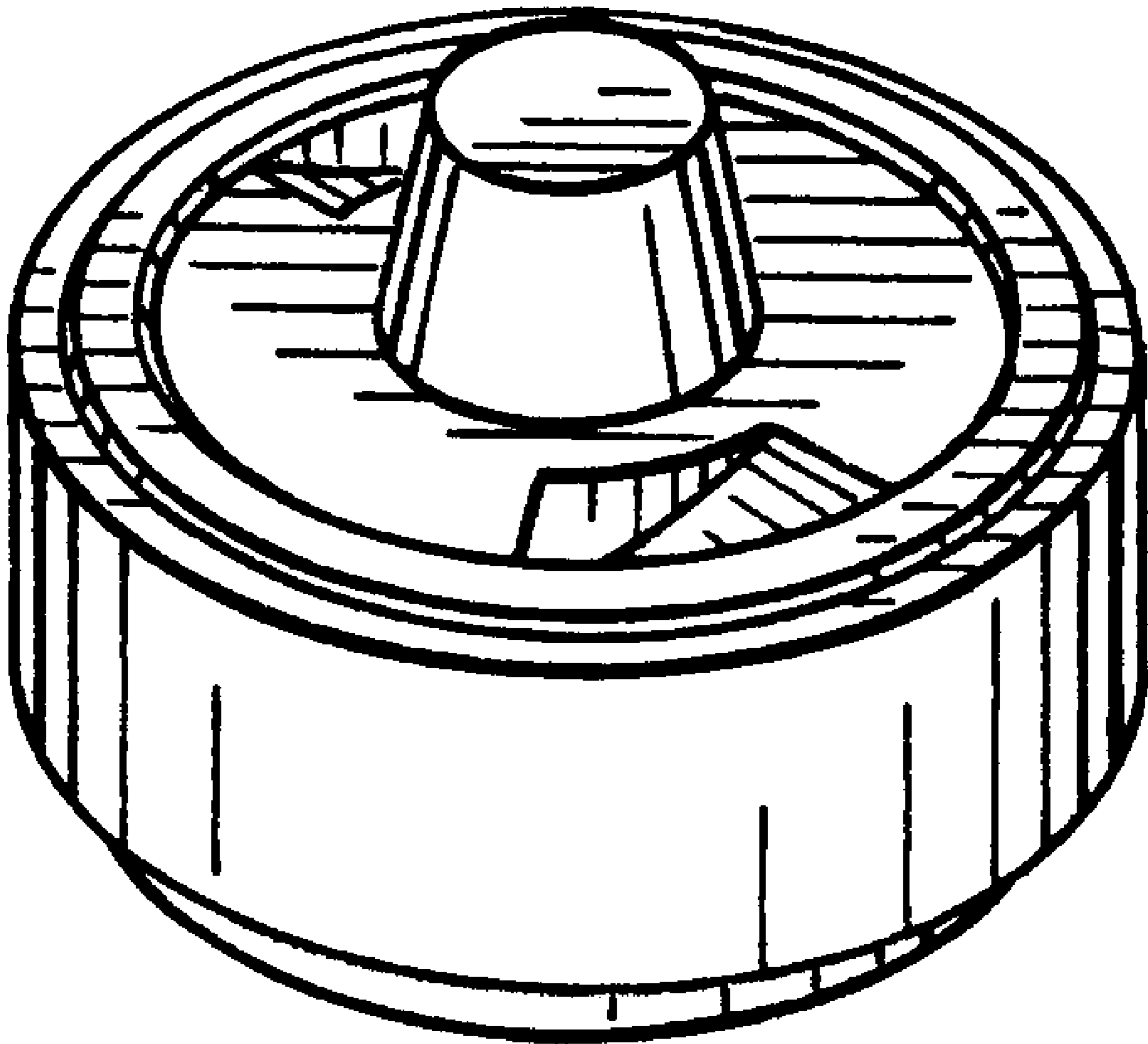
FIG. 1 is an upper frontal perspective view of a fire protection spray nozzle, showing my claimed design; FIG. 2 is a lower rear perspective view thereof; FIG. 3 is a top plan view thereof; FIG. 4 is a right side elevation view thereof; and, FIG. 5 is a bottom base view thereof.

(56) **References Cited**

U.S. PATENT DOCUMENTS

D. 134,562 * 12/1942 Murphy D23/213
D. 296,464 * 6/1988 Marmol et al. D23/213

1 Claim, 1 Drawing Sheet



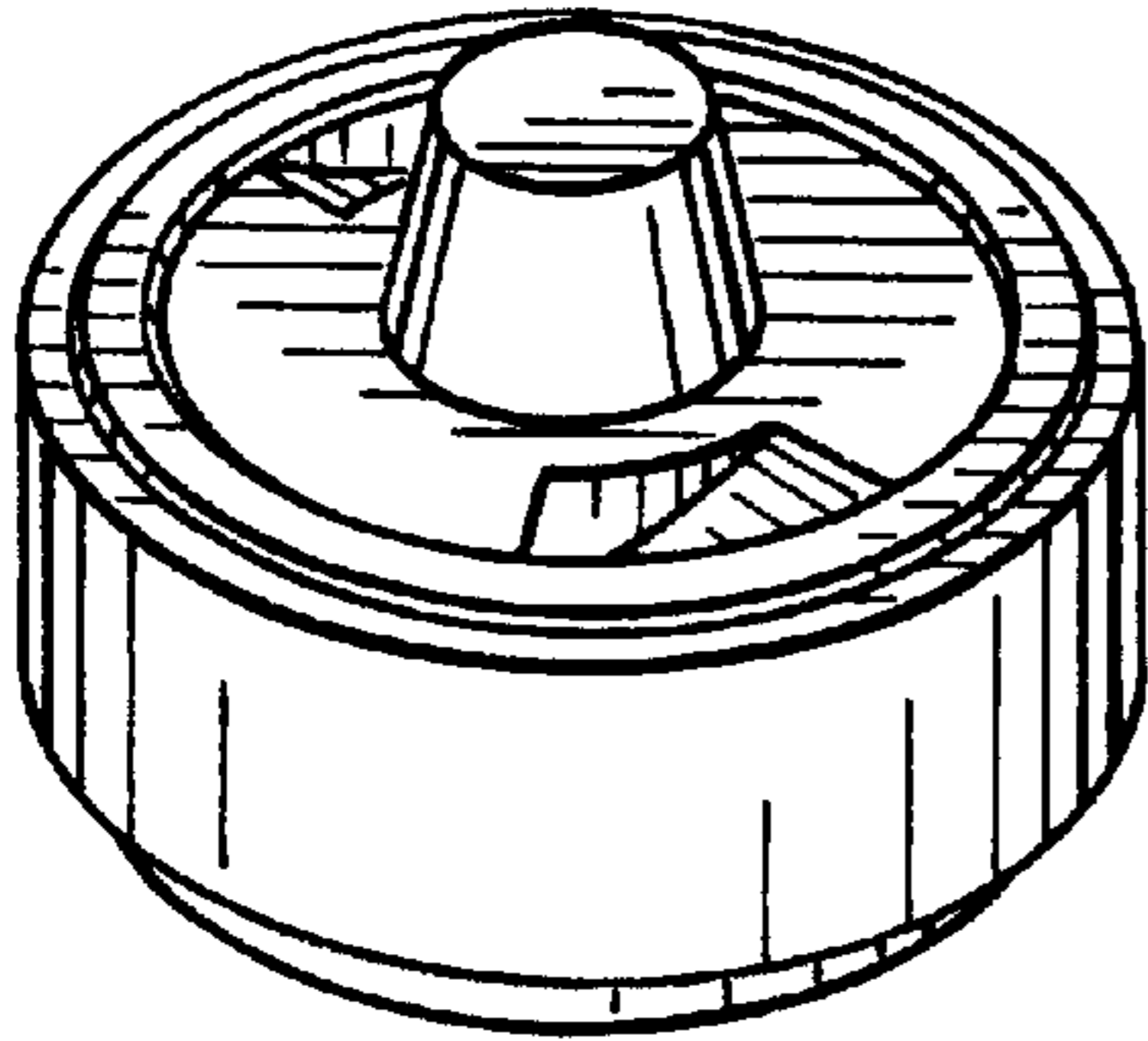


FIG. 1.

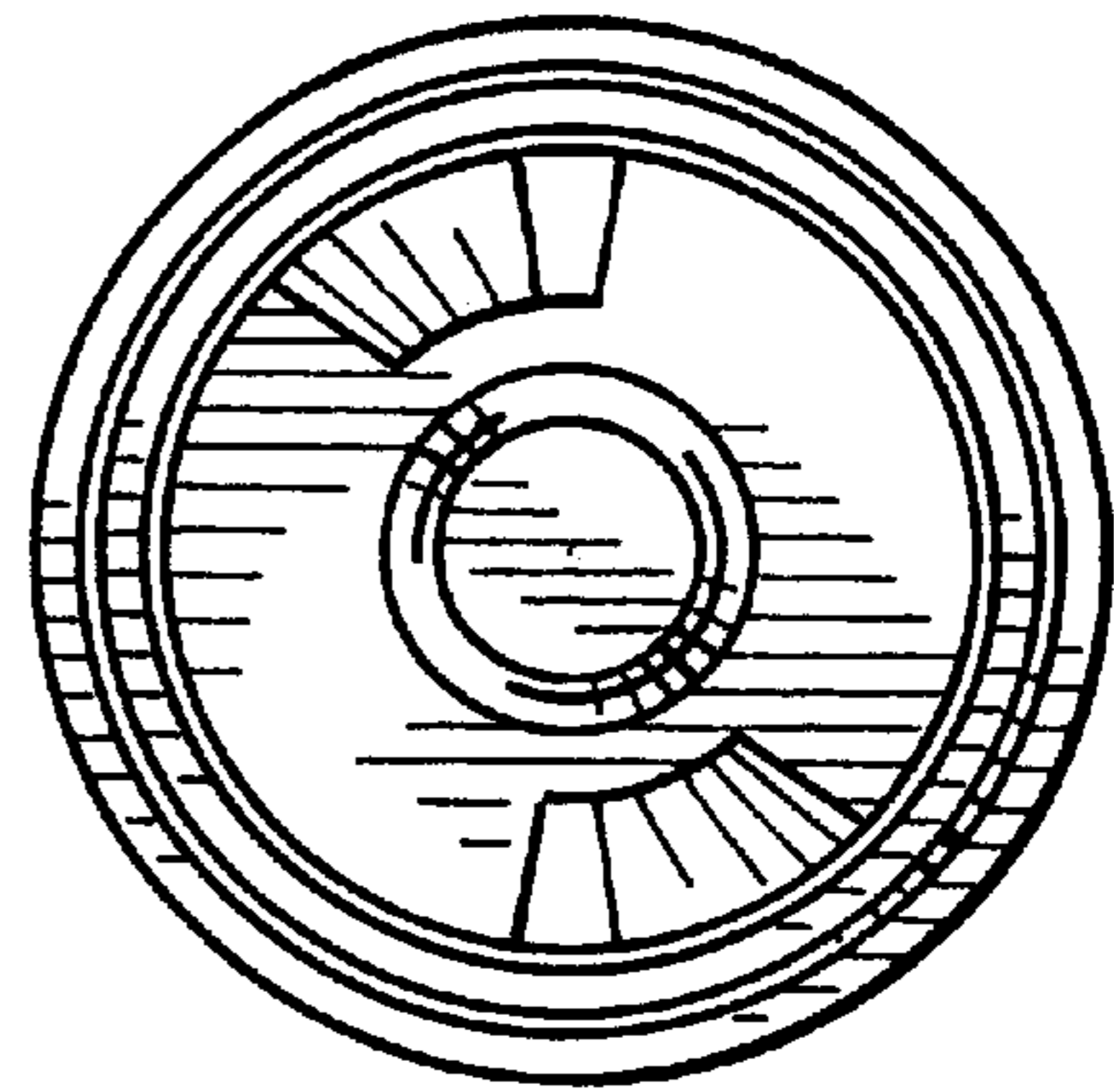


FIG. 3.

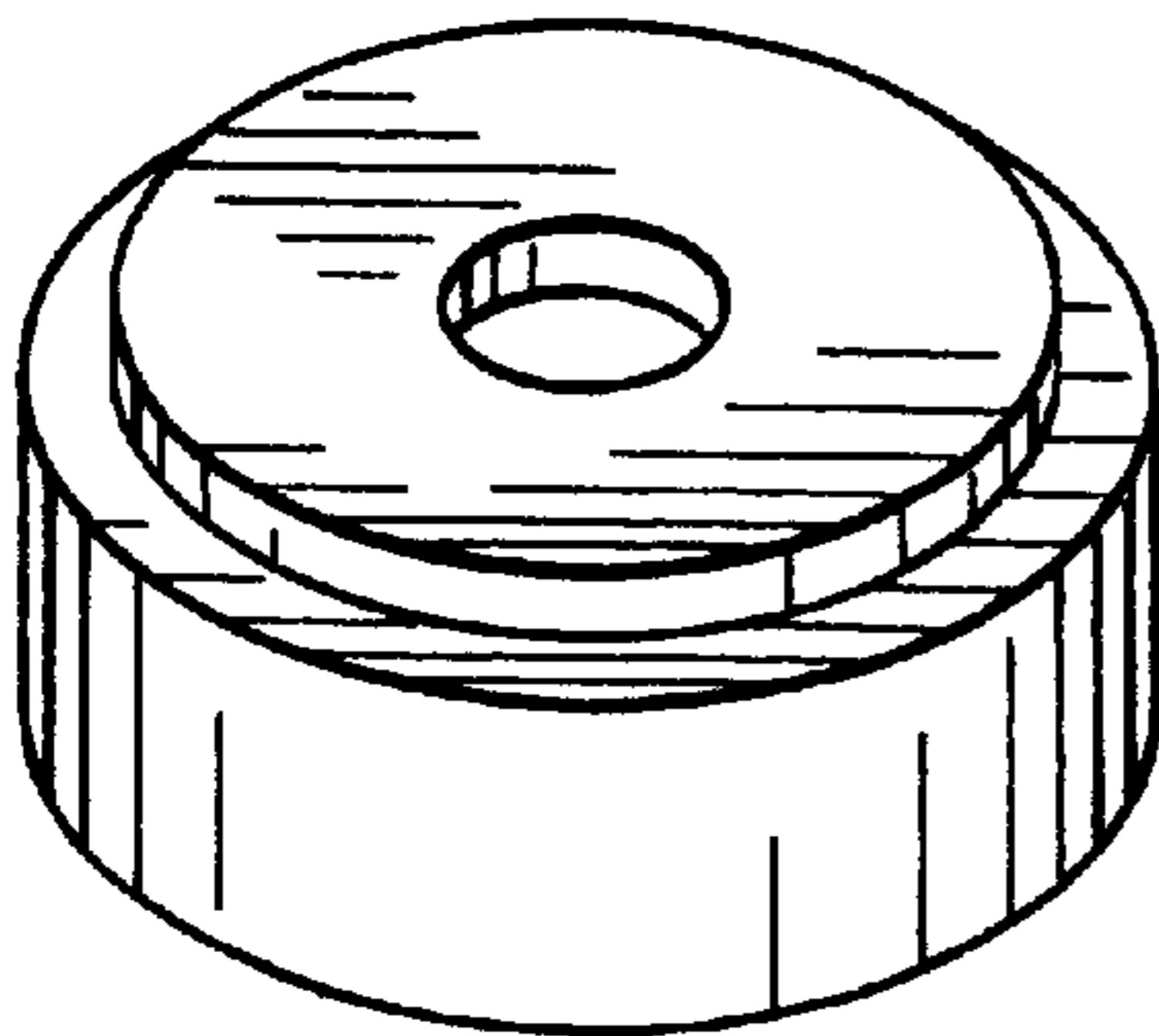


FIG. 2.

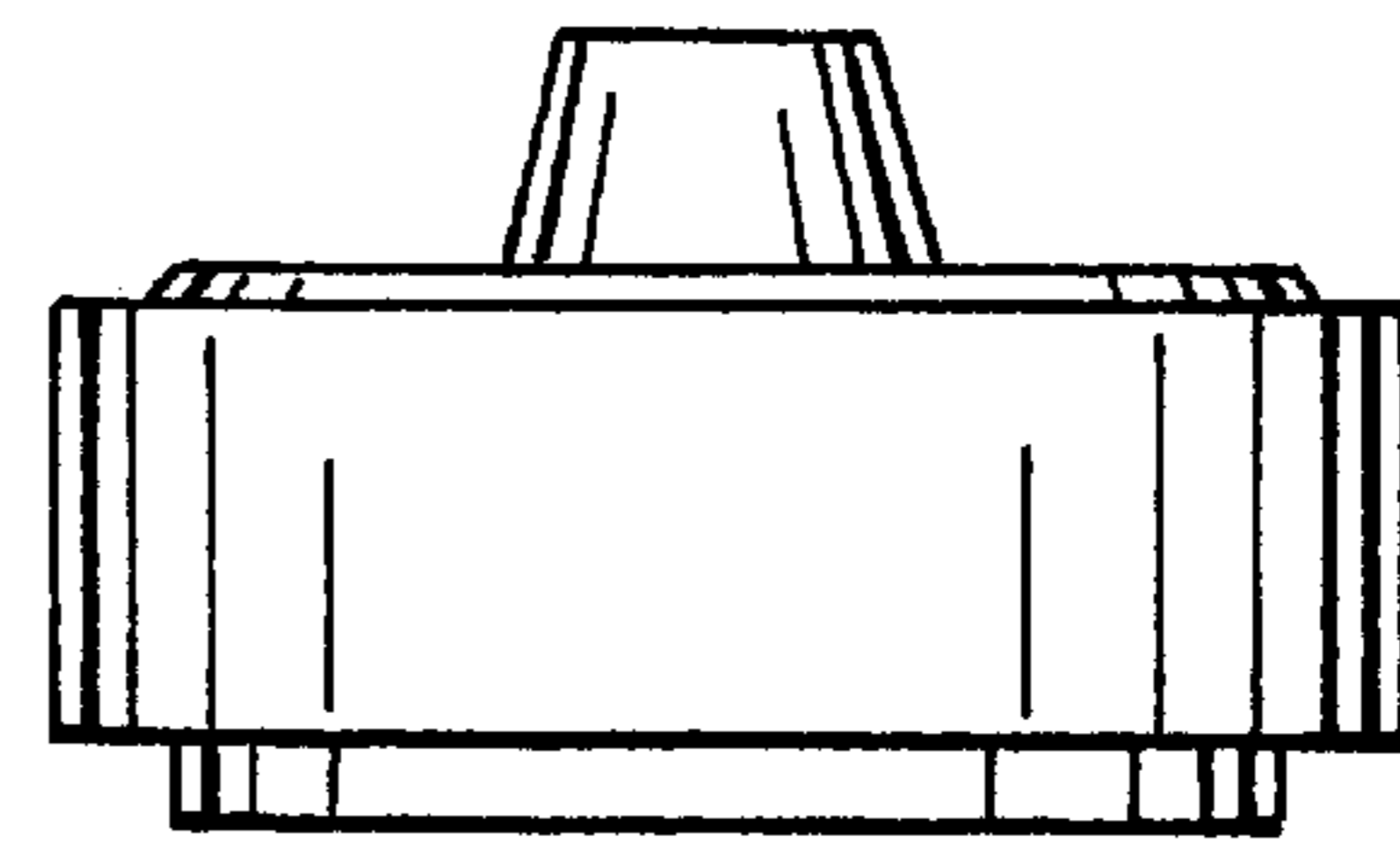


FIG. 4.

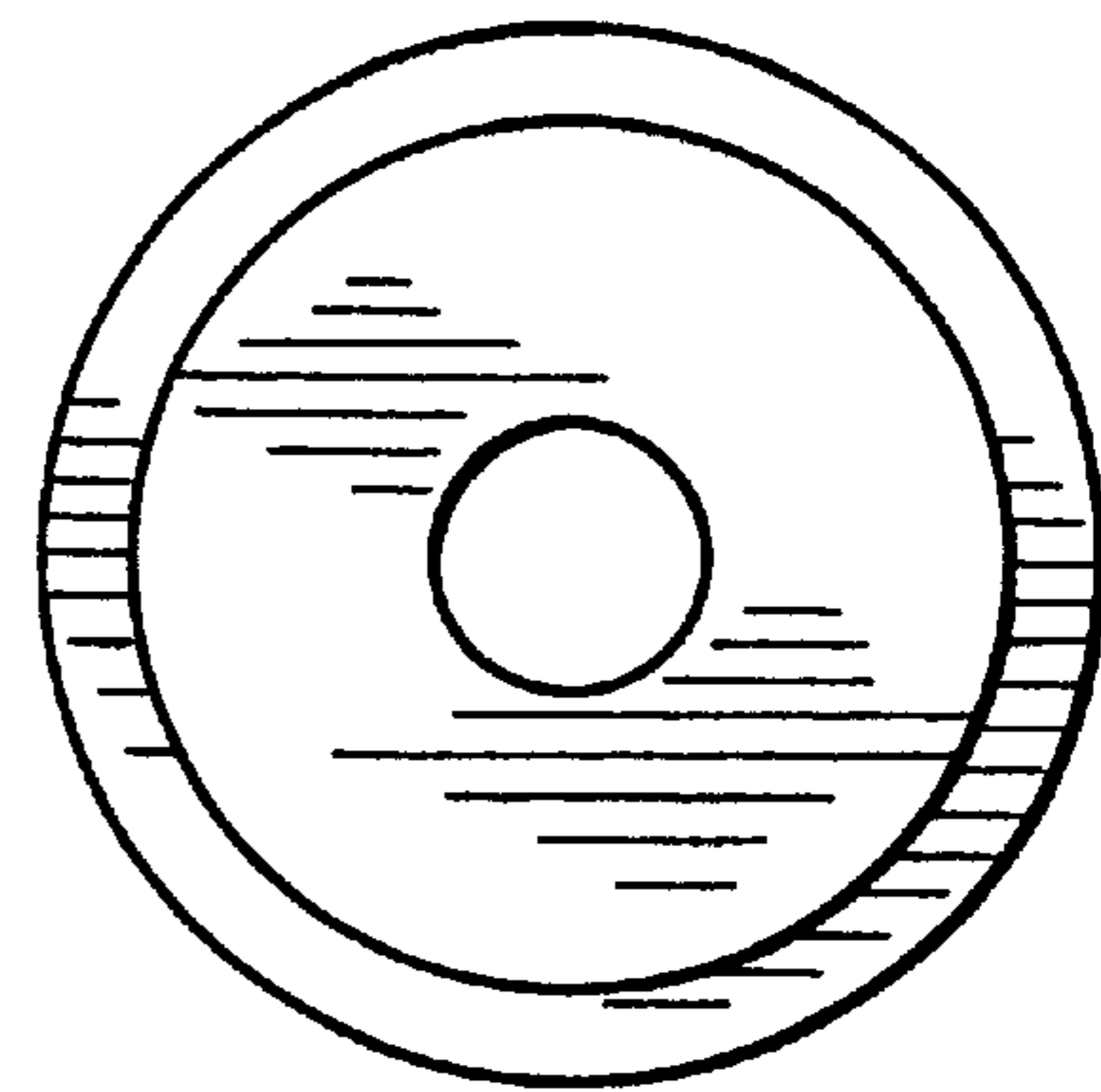


FIG. 5.