



US00D445158S

(12) **United States Design Patent**  
**Stinson**

(10) **Patent No.:** **US D445,158 S**

(45) **Date of Patent:** **\*\* Jul. 17, 2001**

(54) **SENIOR GOLF GRIP**

**DESCRIPTION**

(76) Inventor: **Mark A. Stinson**, 1915 Candlewood Ave., Baton Rouge, LA (US) 70816

(\*\*) Term: **14 Years**

(21) Appl. No.: **29/132,308**

(22) Filed: **Nov. 7, 2000**

(51) **LOC (7) Cl.** ..... **21-02**

(52) **U.S. Cl.** ..... **D21/756**

(58) **Field of Search** ..... D21/756; 473/300-303,  
473/564

The advantages of this invention will benefit golfers who suffer from arthritis or have problems firmly gripping a golf club. Golfers who suffer from arthritis in their hands often have problems maintaining a firm grip on a golf club grip of conventional design which results in the golfer having problems pulling the golf club through the swing with his lead hand. The lead hand is defined as the left hand for a right-handed golfer and the right hand for a left-handed golfer. The golf club grip of this invention will allow the user to grip the club with less effort and less strain on the lead hand, making it easier for the user to pull the club through the swing with his lead hand.

(56) **References Cited**

**U.S. PATENT DOCUMENTS**

D. 197,075	*	12/1963	Felix	.....	D21/725
D. 254,440	*	3/1980	Reinhard	.....	D21/725
D. 350,584	*	9/1994	Jacobs	.....	D21/756
D. 356,135	*	3/1995	Slusher	.....	D21/756
4,423,868	*	1/1984	Younts	.....	473/564

\* cited by examiner

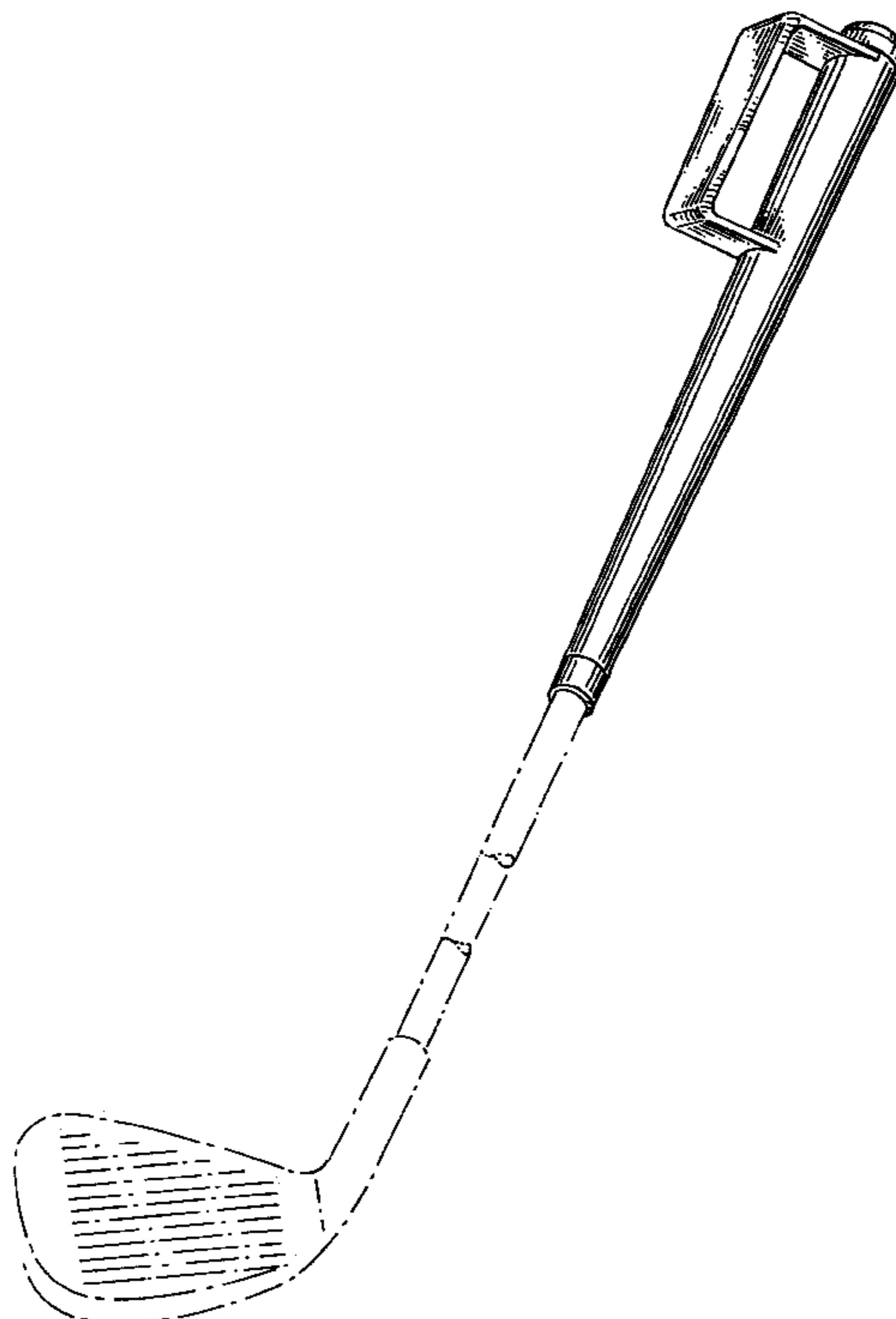
*Primary Examiner*—Mitchell Siegel

(57) **CLAIM**

The ornamental design for a senior golf grip, as shown and described.

FIG. 1 is a front elevation view of the senior golf grip.  
FIG. 2 is a right elevation view, the left elevation view being a mirror image.  
FIG. 3 is a rear elevation view.  
FIG. 4 is a bottom plan view.  
FIG. 5 is a top plan view; and,  
FIG. 6 is a perspective view of the senior golf grip showing my new design with a golf club shown in broken lines for illustrative purposes only. The golf club is unclaimed.

**1 Claim, 2 Drawing Sheets**



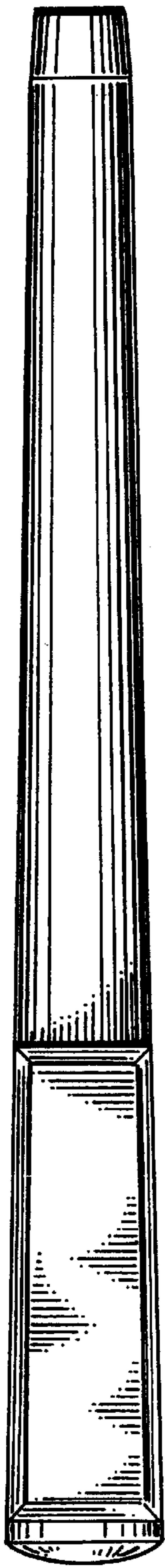


FIG. 1.

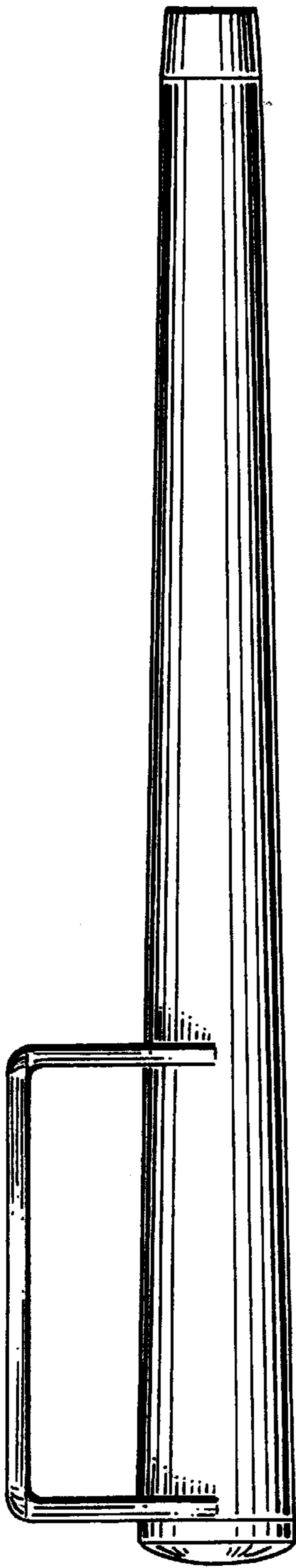


FIG. 2.

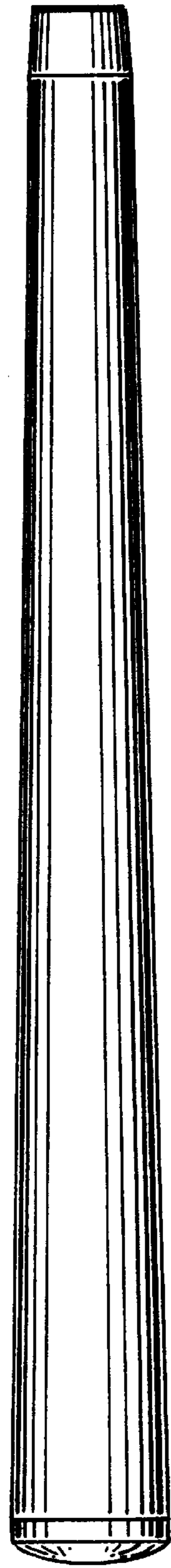


FIG. 3.

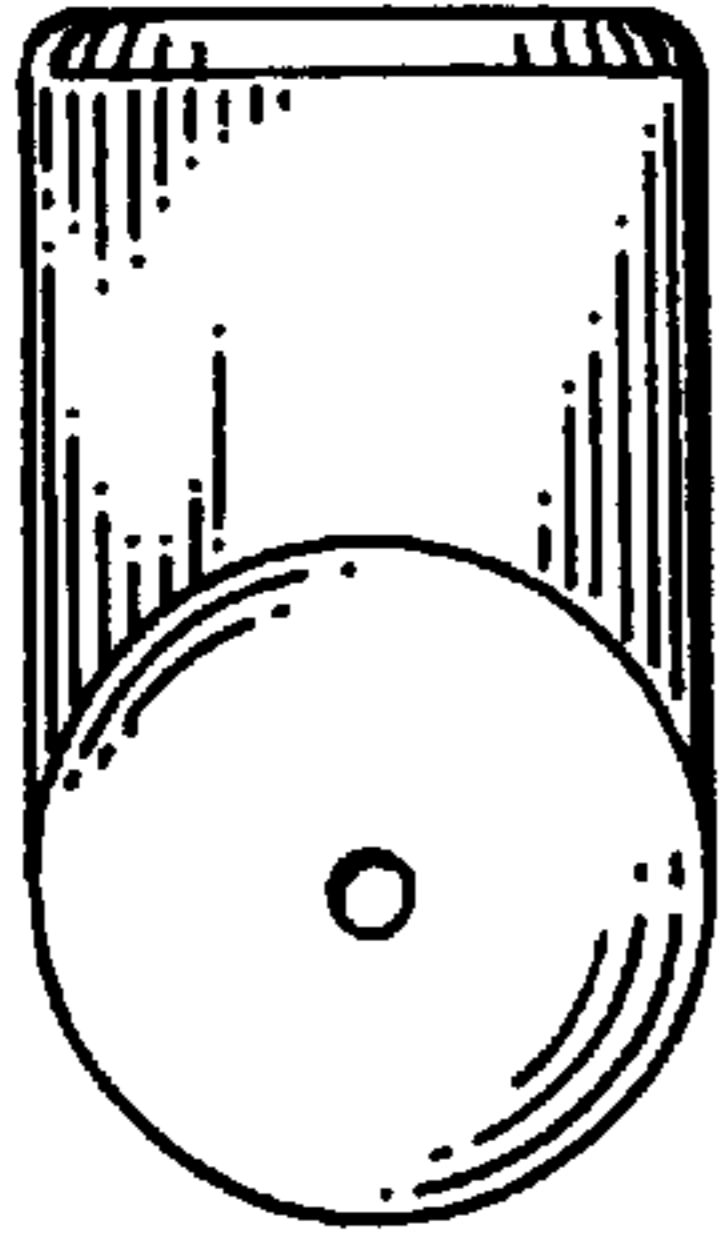


FIG. 4.

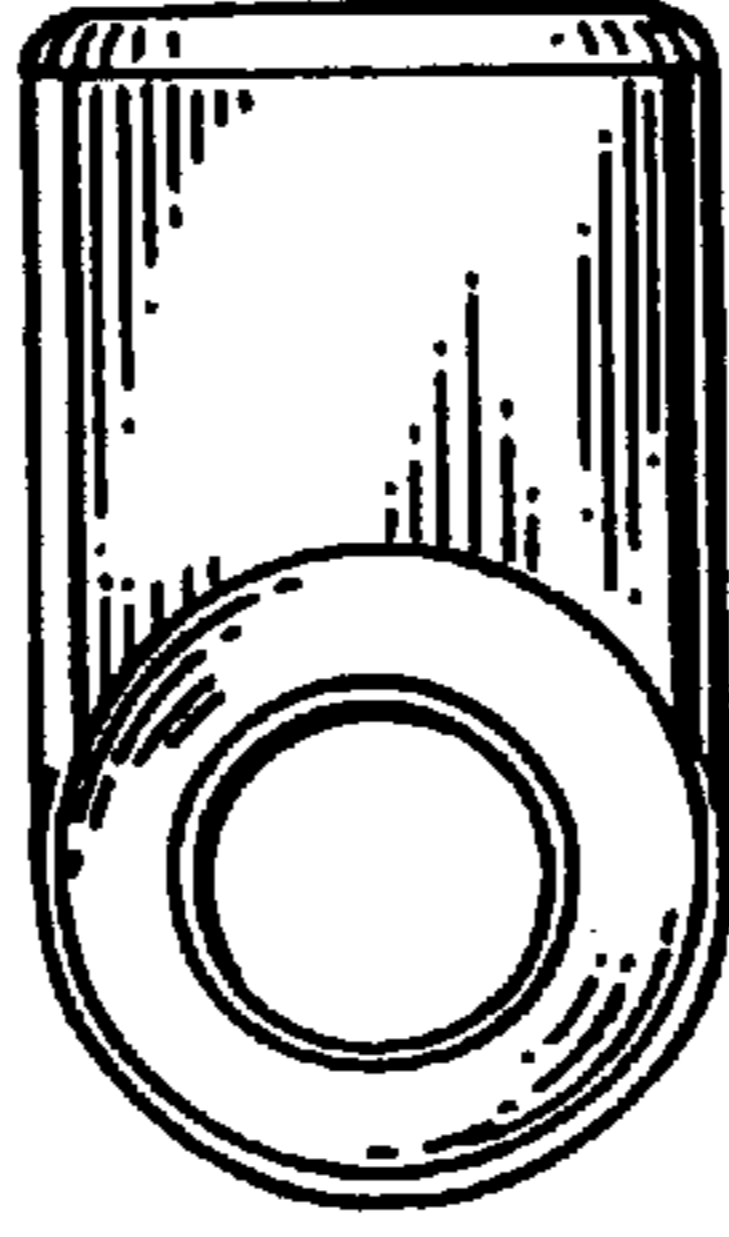


FIG. 5.

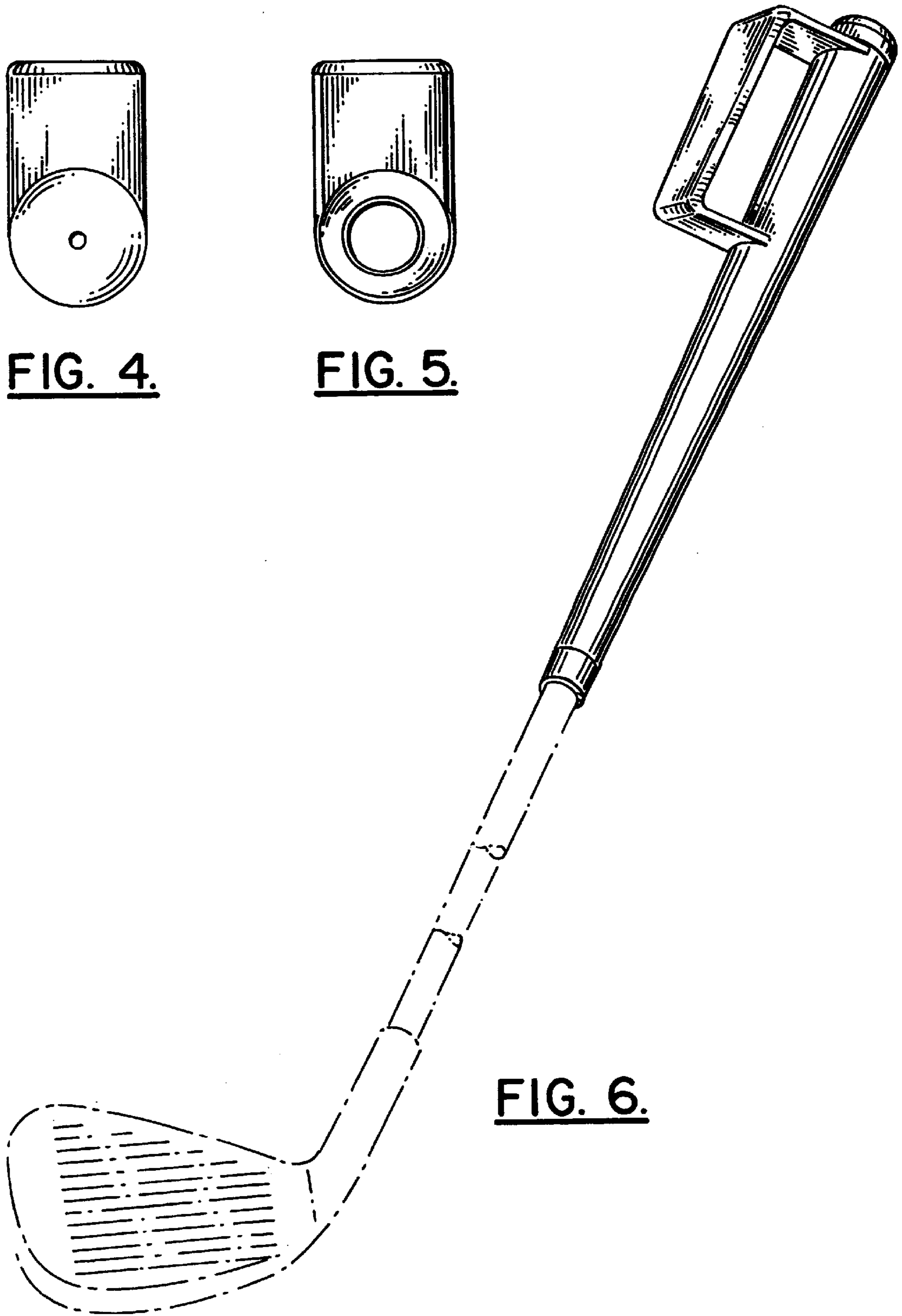


FIG. 6.