



US00D445154S

(12) **United States Design Patent**  
**Lincir**

(10) **Patent No.: US D445,154 S**

(45) **Date of Patent: \*\* \*Jul. 17, 2001**

(54) **BARBELL PLATE**

(76) Inventor: **Tom I. Lincir**, P.O. Box 1470, San Pedro, CA (US) 90733

(\* ) Notice: This patent is subject to a terminal disclaimer.

(\*\*) Term: **14 Years**

(21) Appl. No.: **29/127,357**

(22) Filed: **Aug. 4, 2000**

**Related U.S. Application Data**

(63) Continuation-in-part of application No. 29/116,964, filed on Jan. 13, 2000.

(51) **LOC (7) Cl. .... 21-02**

(52) **U.S. Cl. .... D21/680; D21/681**

(58) **Field of Search .... D21/662, 680, D21/681, 682, 683, 684; 482/105, 106, 107, 108, 109**

(56) **References Cited**

**U.S. PATENT DOCUMENTS**

D. 215,057	8/1969	Sun .	
D. 355,007	* 1/1995	Rojas et al. ....	D21/681
D. 406,183	* 2/1999	Zovich .....	D21/680
D. 409,695	* 5/1999	Rojas et al. ....	D21/680
D. 424,140	5/2000	Lincir .....	D21/680
D. 424,639	* 5/2000	Rojas et al. ....	D21/680
D. 428,947	* 8/2000	Harms et al. ....	D21/680
D. 432,602	* 10/2000	Savage .....	D21/680
D. 433,721	* 11/2000	Rojas et al. ....	D21/680
D. 434,090	* 11/2000	Wallace et al. ....	D21/680
4,369,968	1/1983	Price .	
5,137,502	* 8/1992	Anastasi .....	482/106
5,692,996	* 12/1997	Widerman .....	482/93

**OTHER PUBLICATIONS**

Superman, Nov. 1938, vol. 9 No. 2, Front Page, England.  
Superman, Jan. 1939, vol. 9 No. 4, p. 95, England.  
Strength and Health, Apr. 1954, p. 21, United States.  
Strength and Health, Feb. 1955, p. 14, United States.  
Complete Home Gym, Indiana University 1964, Cover Page, United States.

Roberts Exercise Equipment Brochure, 1967, Cover Page, United States.

Ironman Magazine, Oct. 1999, p. 174, United States.

\* cited by examiner

*Primary Examiner*—Philip S. Hyder

(74) *Attorney, Agent, or Firm*—Edward A. Sokolski

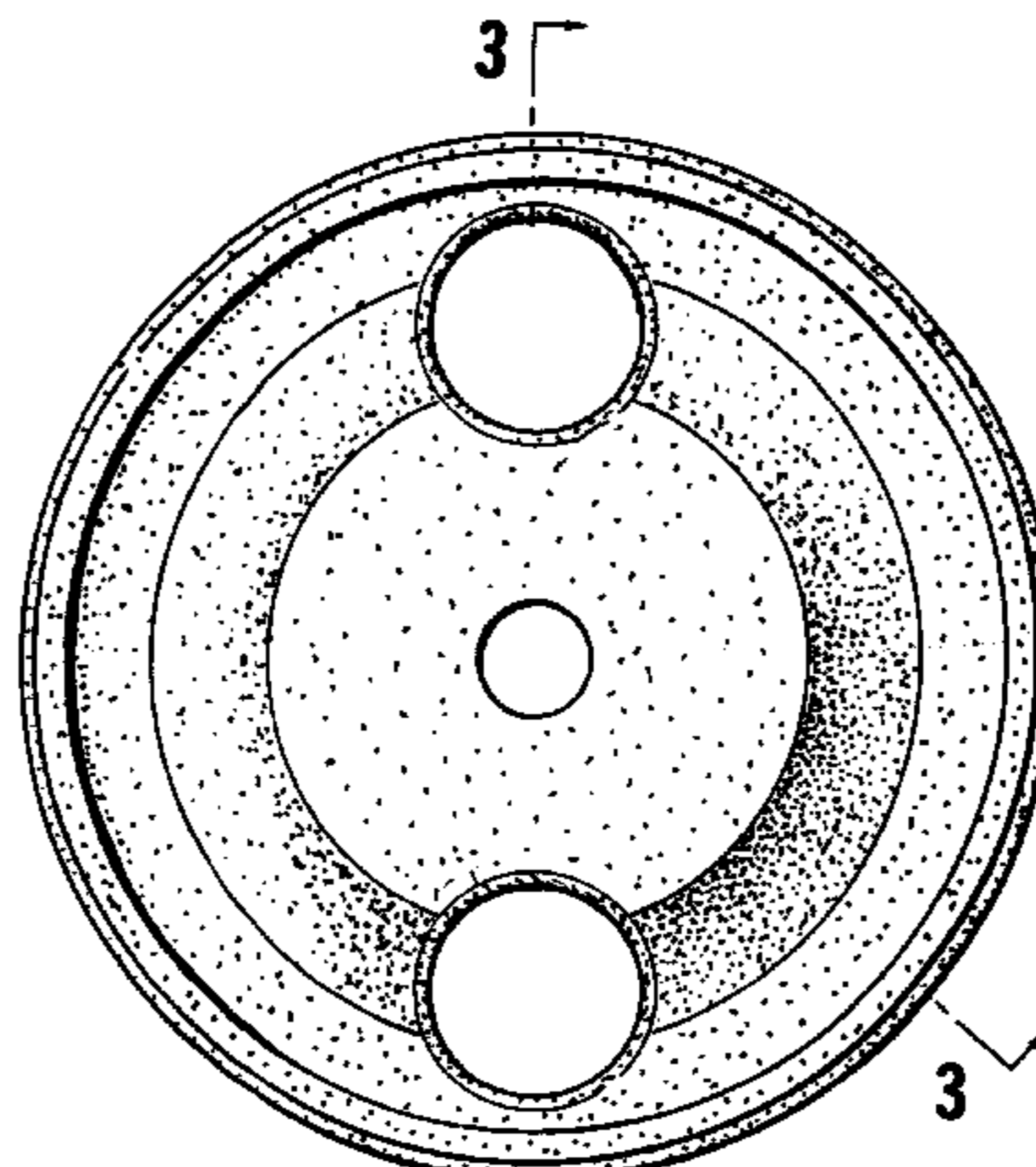
(57) **CLAIM**

The ornamental design for a barbell plate, as shown and described.

**DESCRIPTION**

FIG. 1 is a front elevational view showing a first embodiment of my new design for a barbell plate;  
FIG. 2 is a side elevational view of my barbell plate;  
FIG. 3 is a cross sectional view of my barbell plate taken along the plane indicated by 3—3 in FIG. 1;  
FIG. 4 is a front perspective view of my barbell plate;  
FIG. 5 is a front elevational view showing a second embodiment of my new design for a barbell plate;  
FIG. 6 is a side elevational view of my barbell plate;  
FIG. 7 is a cross sectional view of my barbell plate taken along the plane indicated by 7—7 in FIG. 5;  
FIG. 8 is a front perspective view of my barbell plate;  
FIG. 9 is a front elevational view showing a third embodiment of my new design for a barbell plate;  
FIG. 10 is a side elevational view of my barbell plate;  
FIG. 11 is a cross sectional view of my barbell plate taken along the plane indicated by 11—11 in FIG. 9;  
FIG. 12 is a front perspective view of my barbell plate;  
FIG. 13 is a front elevational view showing a fourth embodiment of my new design for a barbell plate;  
FIG. 14 is a side elevational view of my barbell plate;  
FIG. 15 is a cross sectional view of my barbell plate taken along the plane indicated by 15—15 in FIG. 13;  
FIG. 16 is a front perspective view of my barbell plate;  
FIG. 17 is a front elevational view showing a fifth embodiment of my new design for a barbell plate;  
FIG. 18 is a side elevational view of my barbell plate;  
FIG. 19 is a cross sectional view of my barbell plate taken along the plane indicated by 19—19 in FIG. 17; and,  
FIG. 20 is a front perspective view of my barbell plate.  
The opposite side of the barbell plate shown in FIGS. 1,5,9,13 & 17 is the mirror image thereof.

**1 Claim, 5 Drawing Sheets**



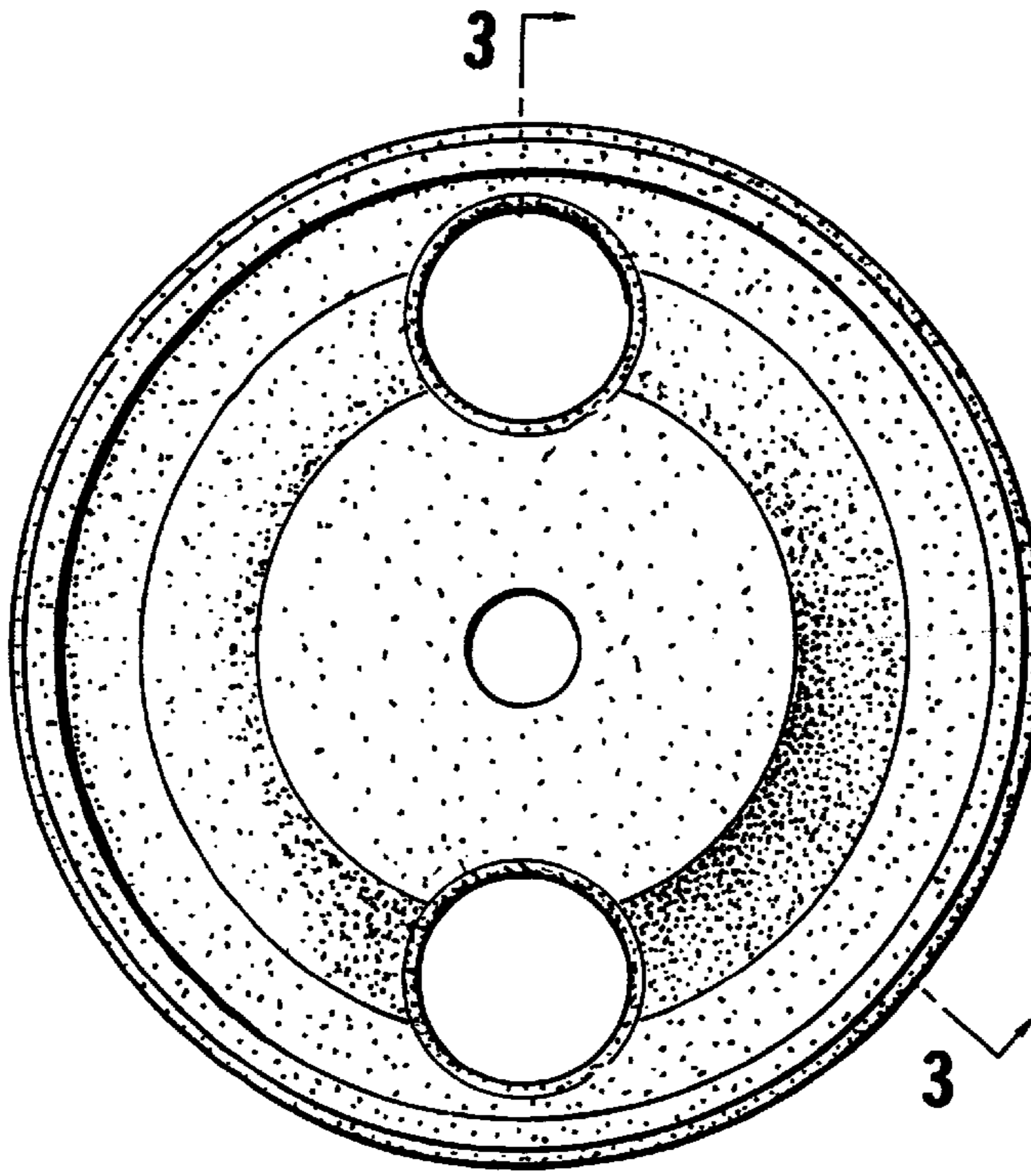


FIG. 1



FIG. 2



FIG. 3

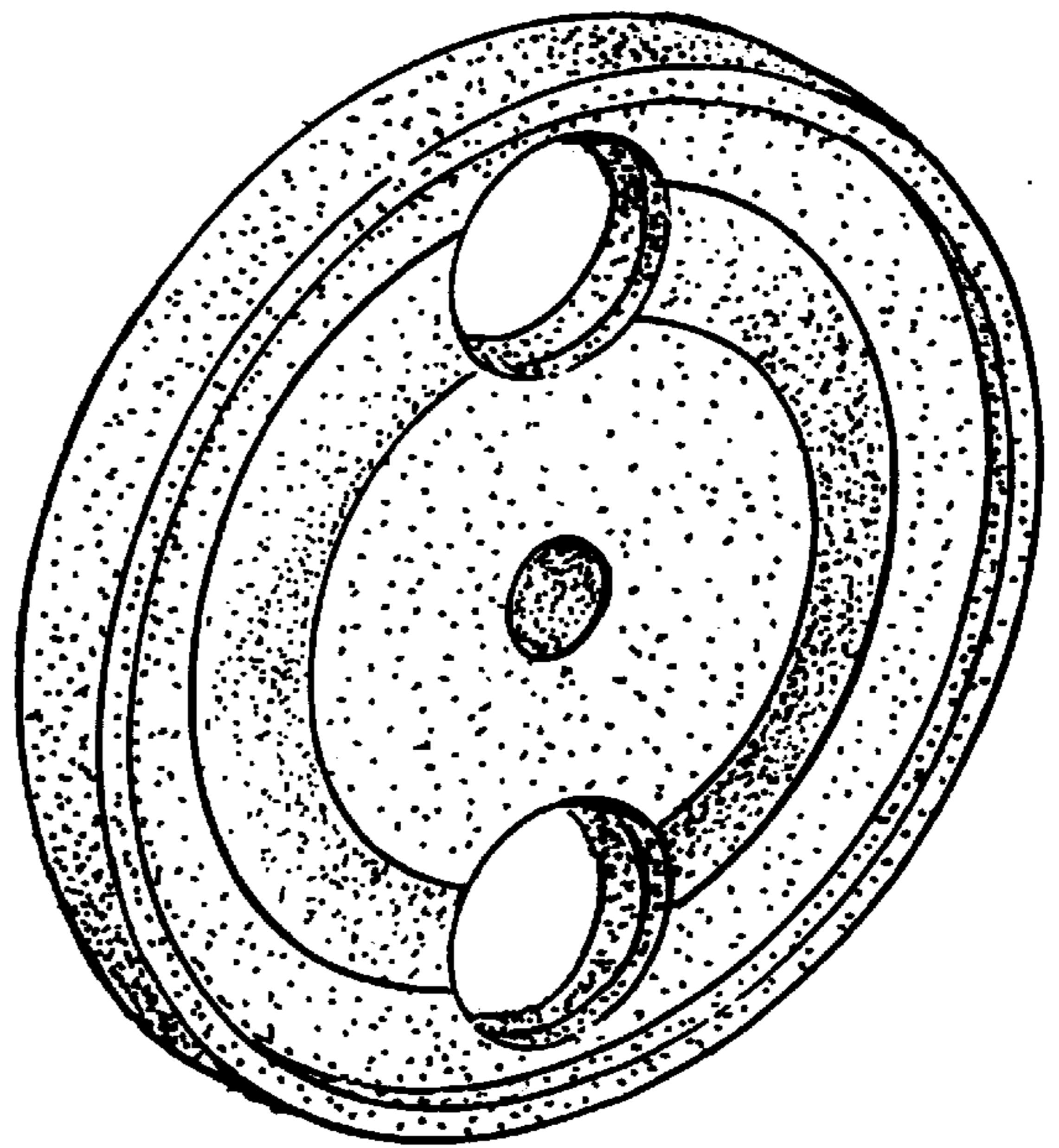
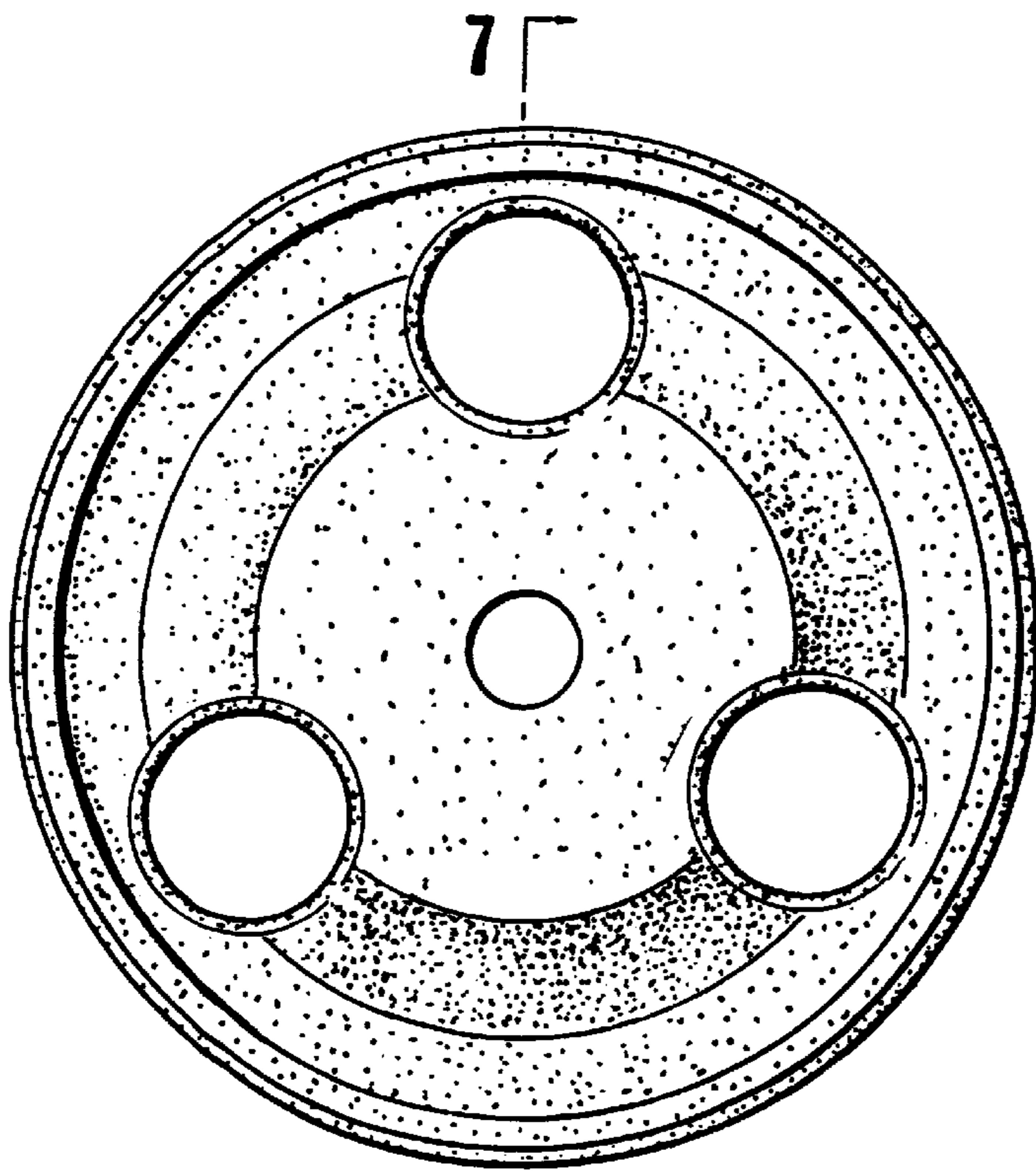


FIG. 4



7  
FIG. 5



FIG. 6

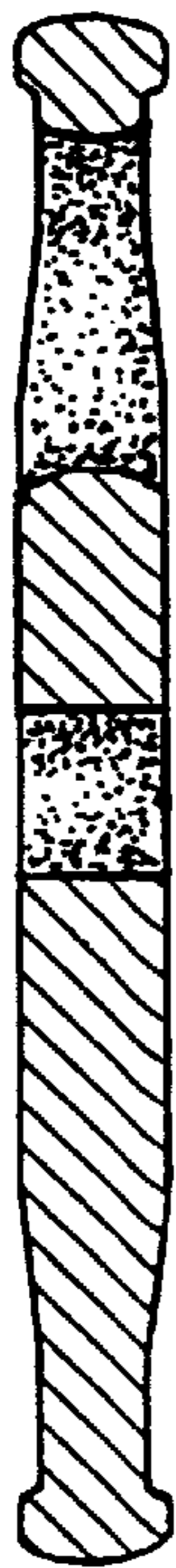


FIG. 7

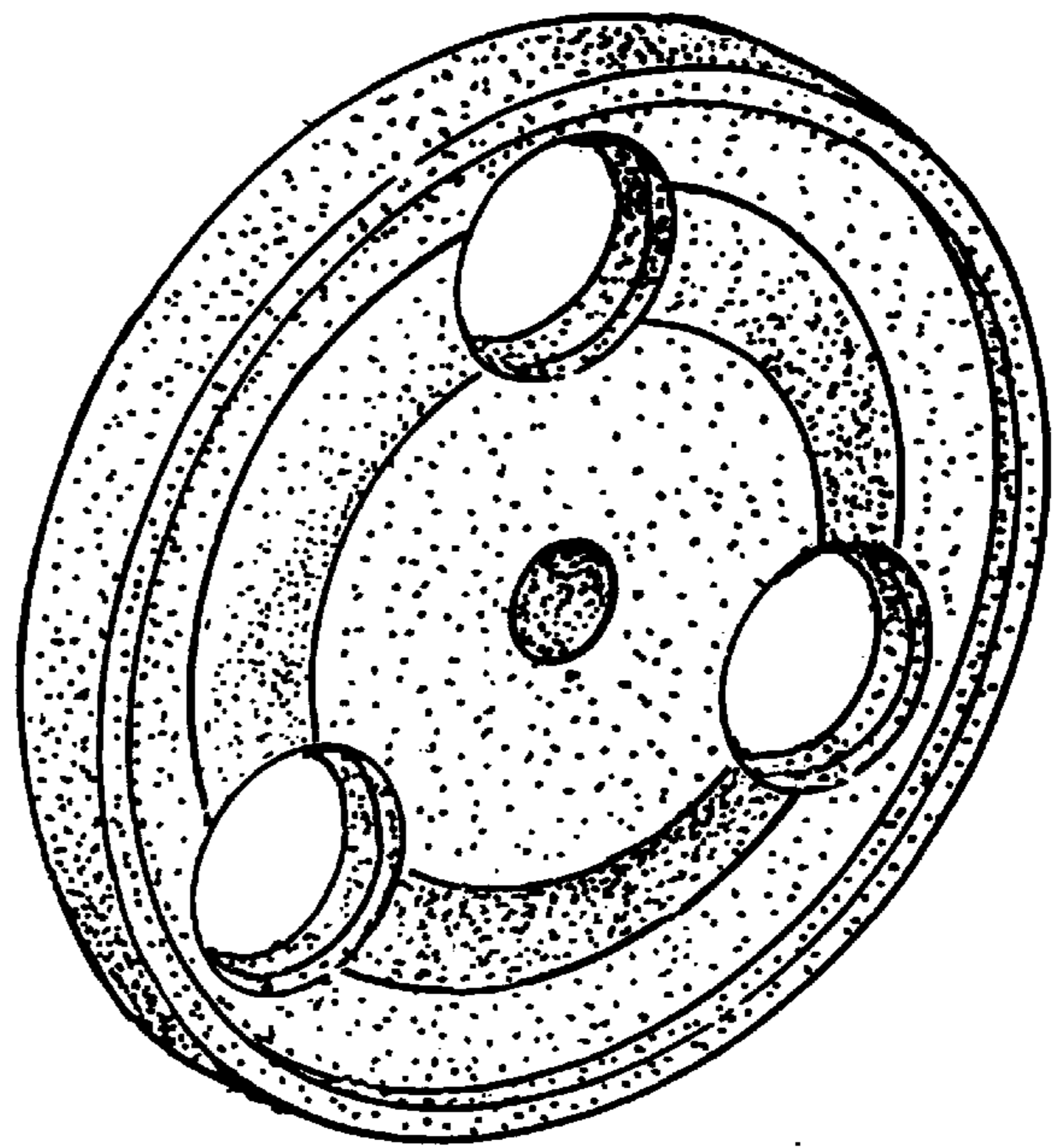


FIG. 8

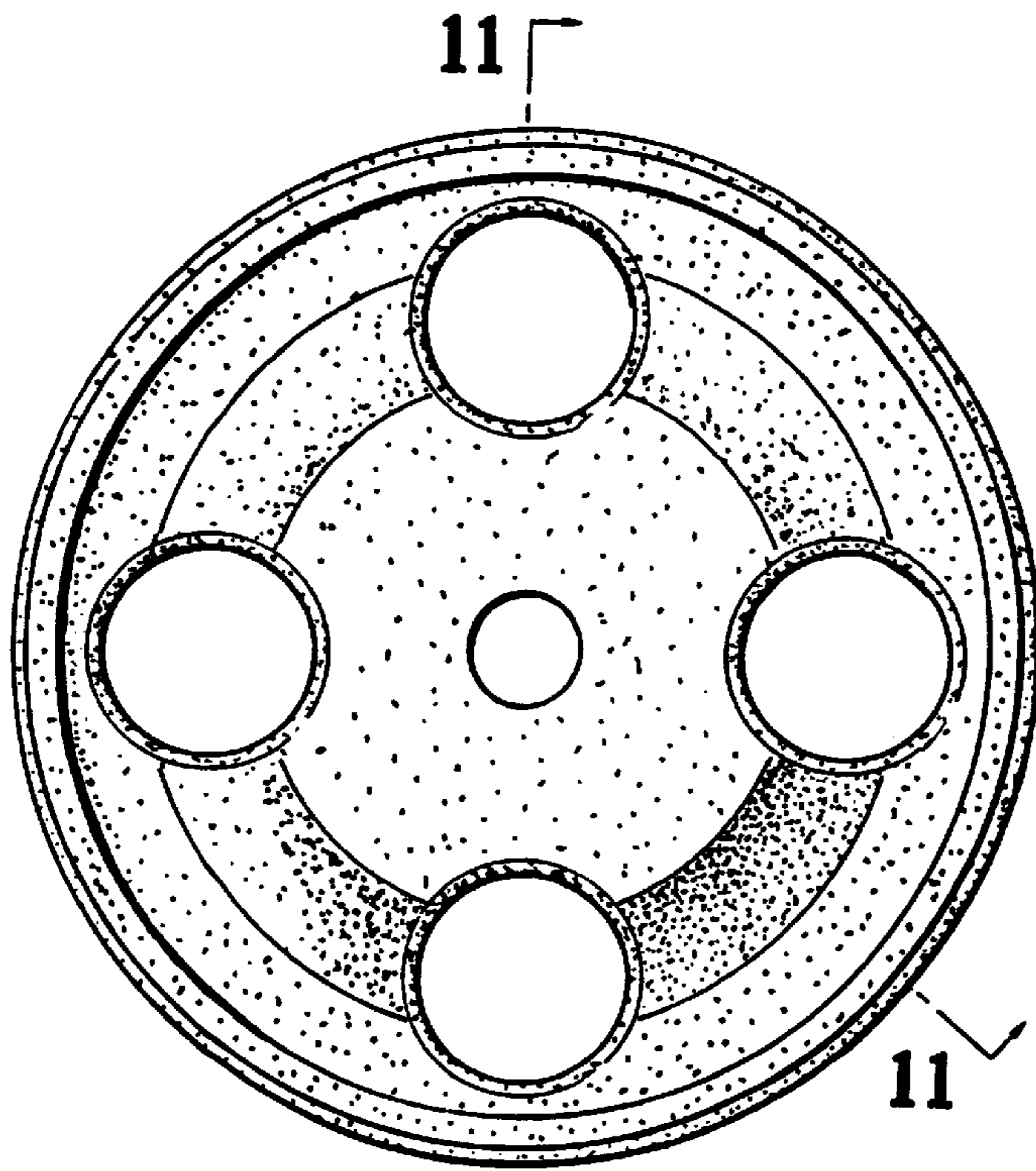


FIG. 9



FIG. 10



FIG. 11

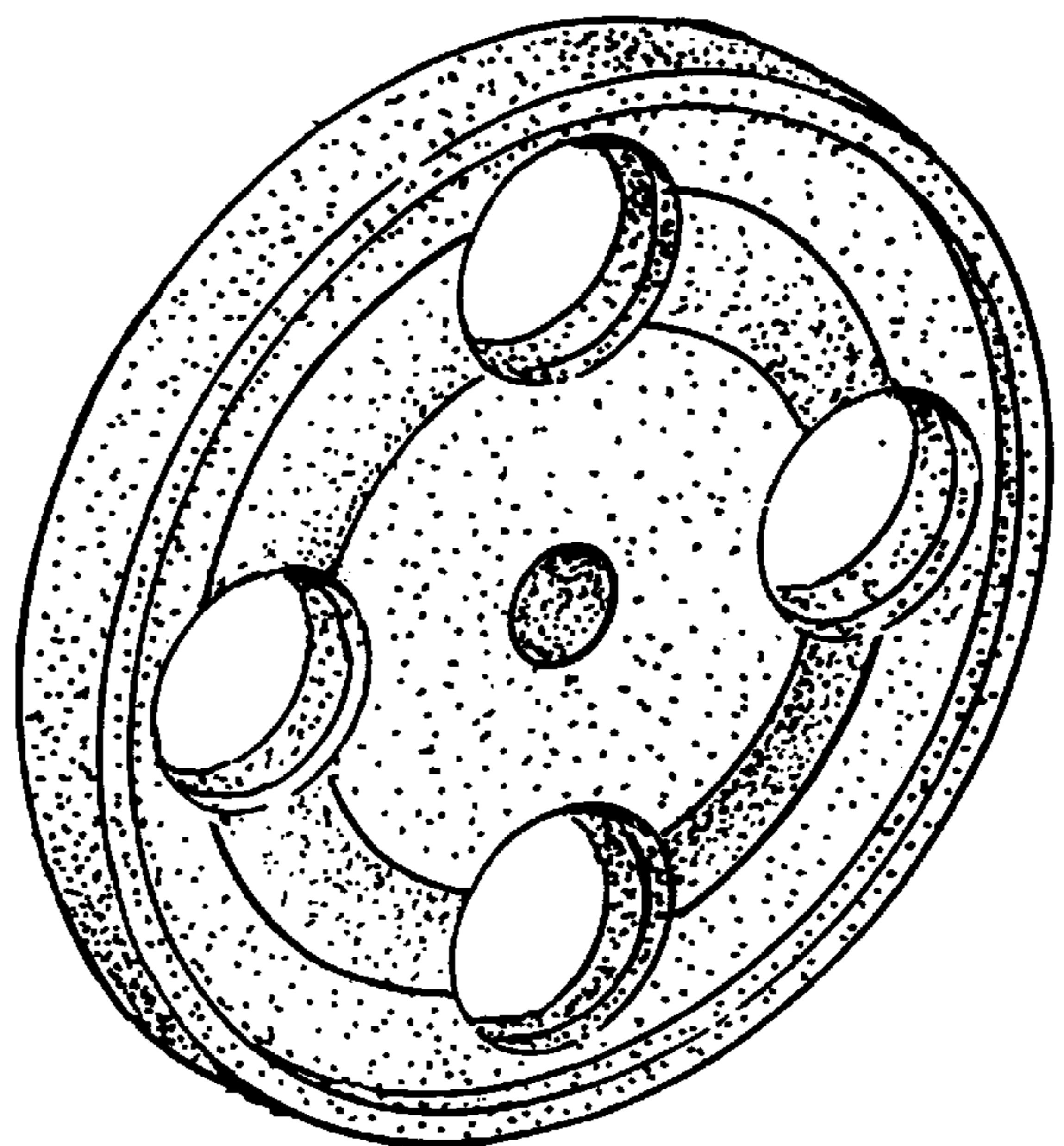
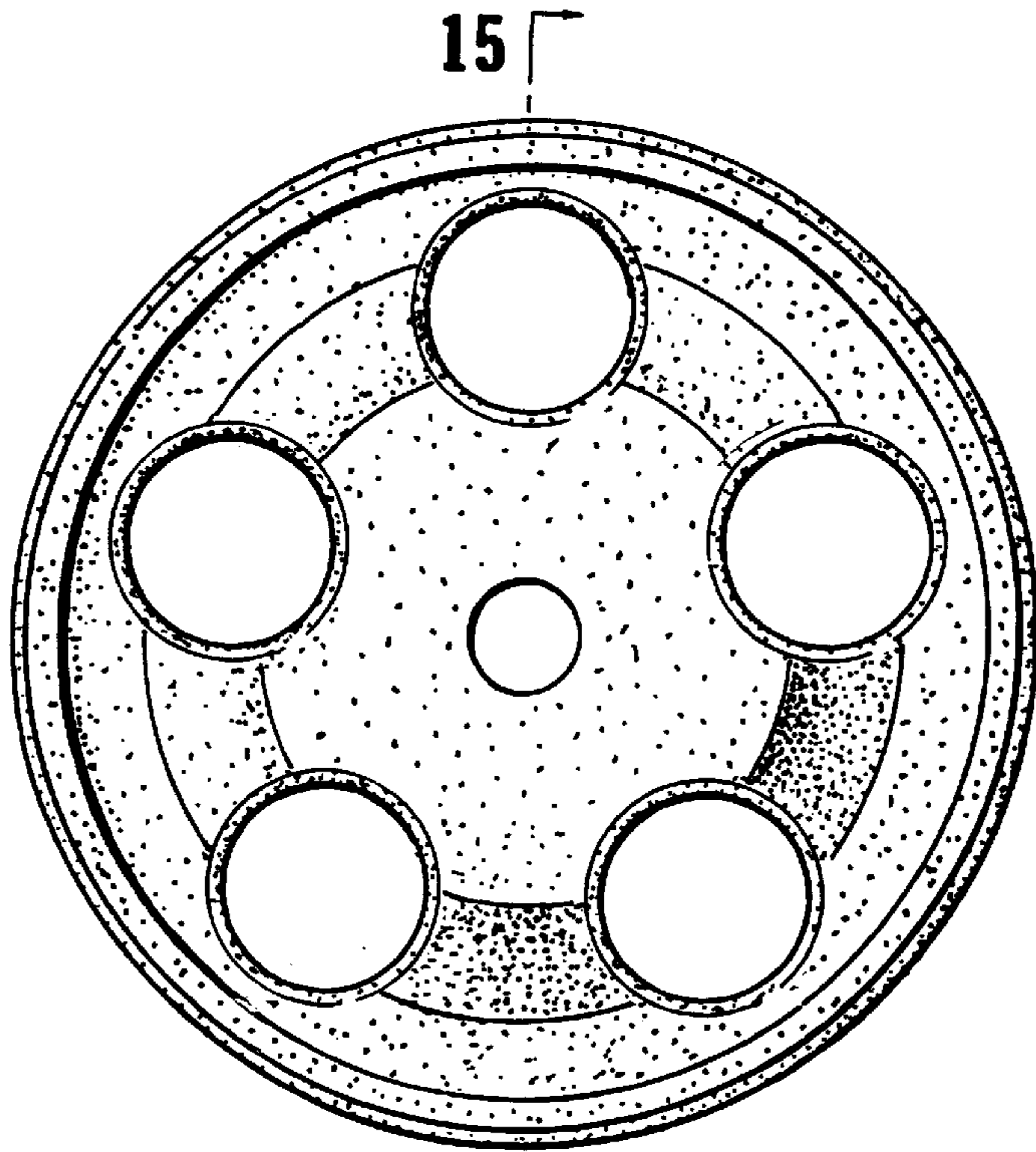


FIG. 12



15  
FIG. 13



FIG. 14



FIG. 15

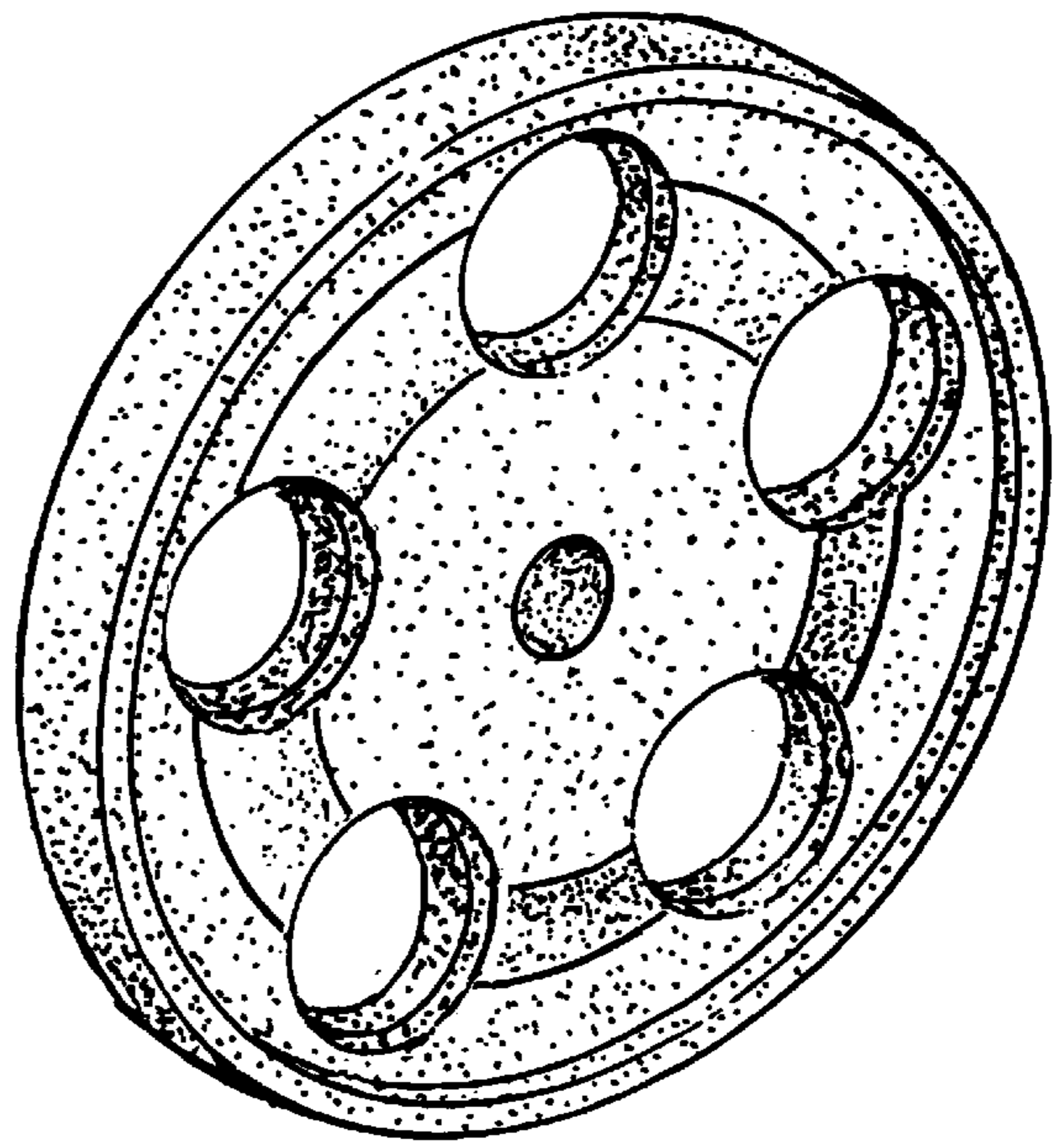


FIG. 16

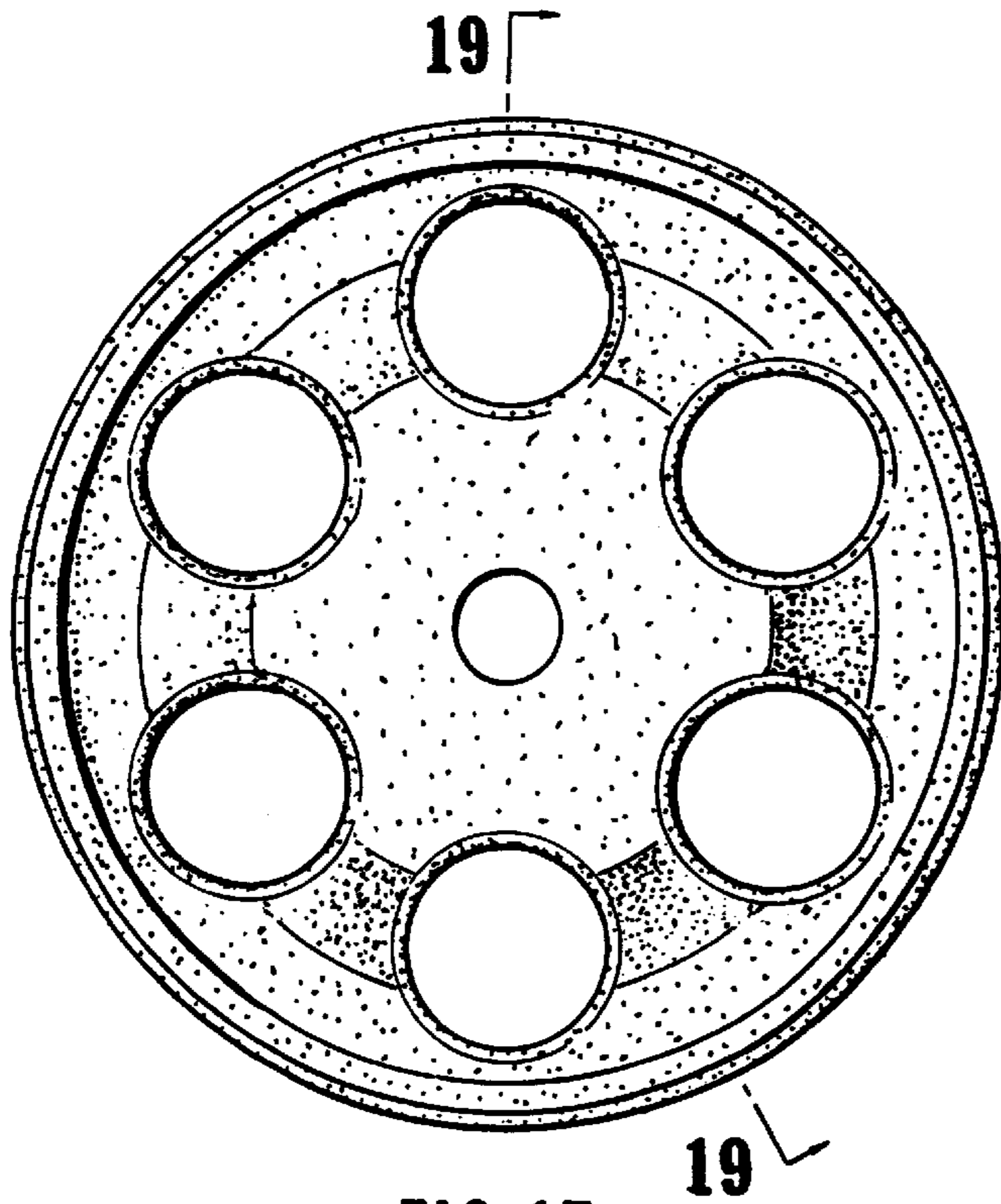


FIG. 17



FIG. 18



FIG. 19

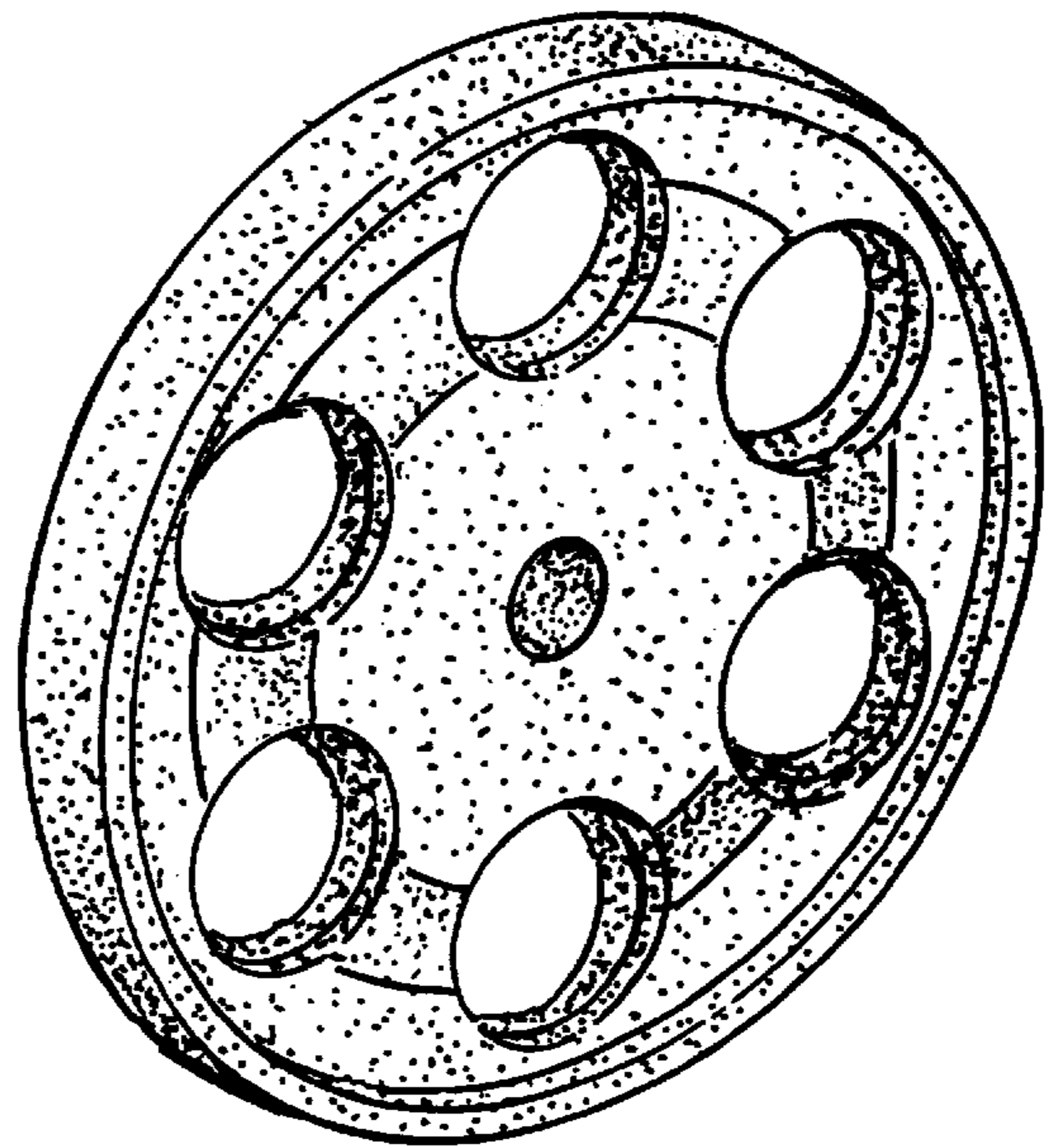


FIG. 20