



US00D445152S

(12) **United States Design Patent**  
**Wang et al.**

(10) **Patent No.:** **US D445,152 S**  
(45) **Date of Patent:** **\*\* Jul. 17, 2001**

(54) **MOTORIZED TREADMILL**  
(76) Inventors: **Leao Wang; Peter Wu**, both of No 1,  
Lane 233, Sec. 2, Charng Long Road,  
Taiping (TW), 411  
(\*\*) Term: **14 Years**  
(21) Appl. No.: **29/122,533**  
(22) Filed: **Apr. 28, 2000**  
(51) **LOC (7) Cl.** ..... **21-02**  
(52) **U.S. Cl.** ..... **D21/669**  
(58) **Field of Search** ..... D21/662, 663,  
D21/668, 669, 670; 482/51, 54

5,857,942 \* 1/1999 Moon et al. .... 482/54  
5,897,460 \* 4/1999 McBride et al. .... 482/54  
6,019,707 \* 2/2000 Wang ..... 482/54  
6,033,347 \* 3/2000 Dalebout et al. .... 482/54  
6,050,922 \* 4/2000 Wang ..... 482/54

\* cited by examiner

*Primary Examiner*—Philip S. Hyder  
(74) *Attorney, Agent, or Firm*—Kuo-Hsiung Chiu

(57) **CLAIM**

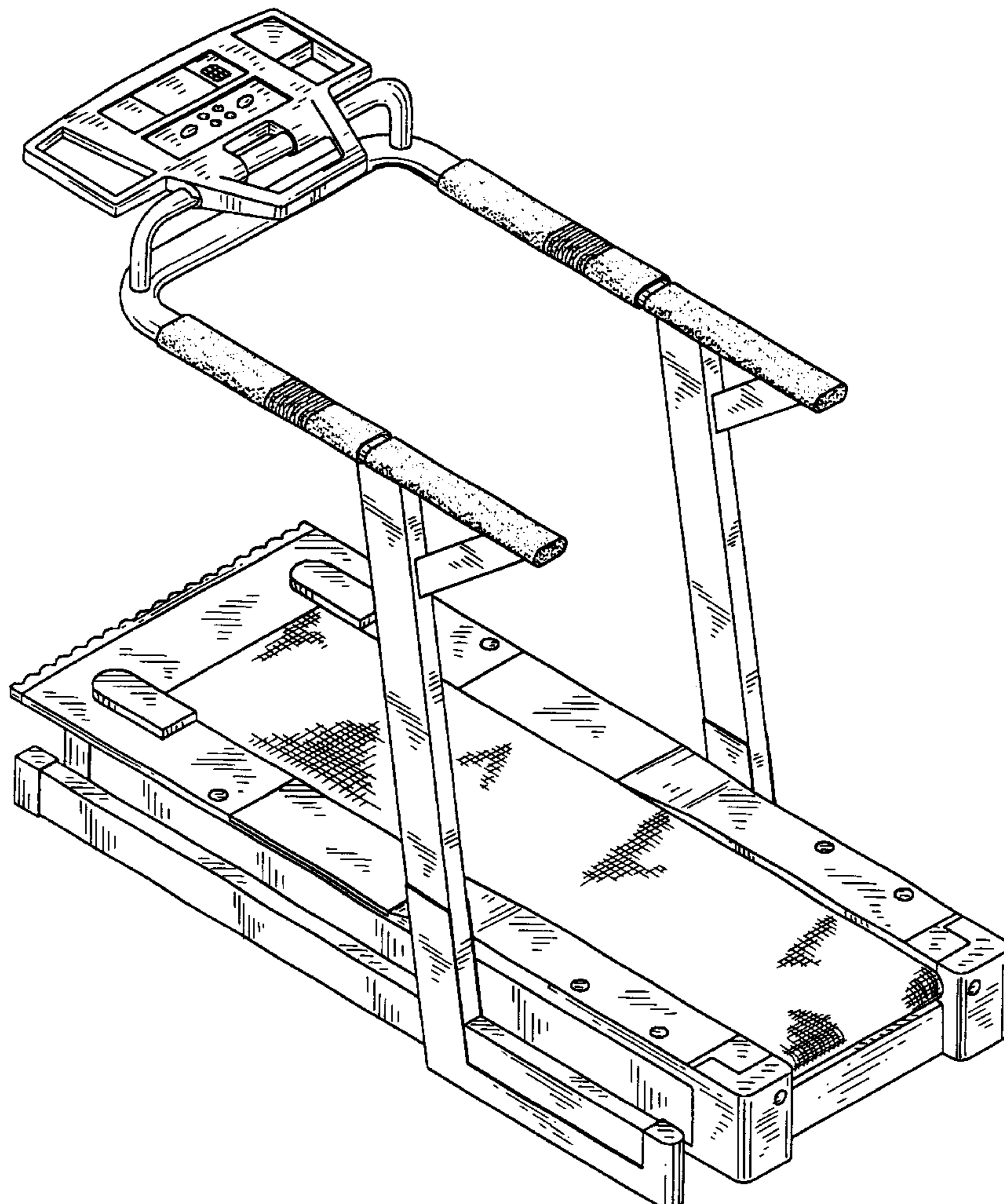
The ornamental design for a motorized treadmill, as shown.

**DESCRIPTION**

FIG. 1 is a perspective view of a motorized treadmill showing our new design;  
FIG. 2 is a front elevational view thereof;  
FIG. 3 is a rear elevational view thereof;  
FIG. 4 is a left side elevational view thereof;  
FIG. 5 is a right side elevational view thereof;  
FIG. 6 is a top plan view thereof; and,  
FIG. 7 is a bottom plan view thereof.

(56) **References Cited**  
**U.S. PATENT DOCUMENTS**  
D. 313,826 \* 1/1991 Birrell et al. .... D21/669  
D. 321,734 \* 11/1991 Dunham et al. .... D21/669  
D. 392,351 \* 3/1998 Coody et al. .... D21/669  
D. 406,621 \* 3/1999 Piaget ..... D21/669  
5,772,560 \* 6/1998 Watterson et al. .... 482/54

**1 Claim, 7 Drawing Sheets**



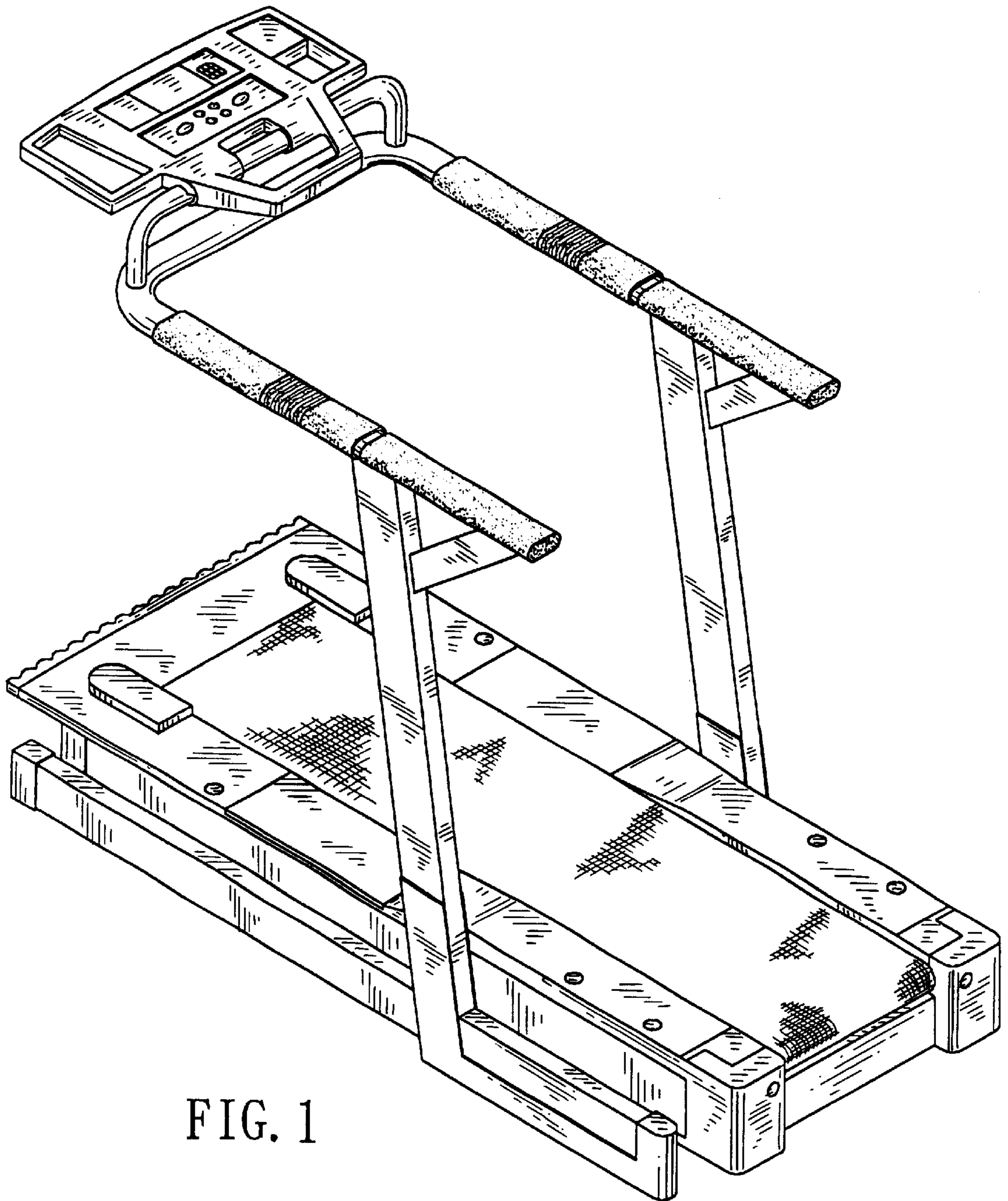


FIG. 1

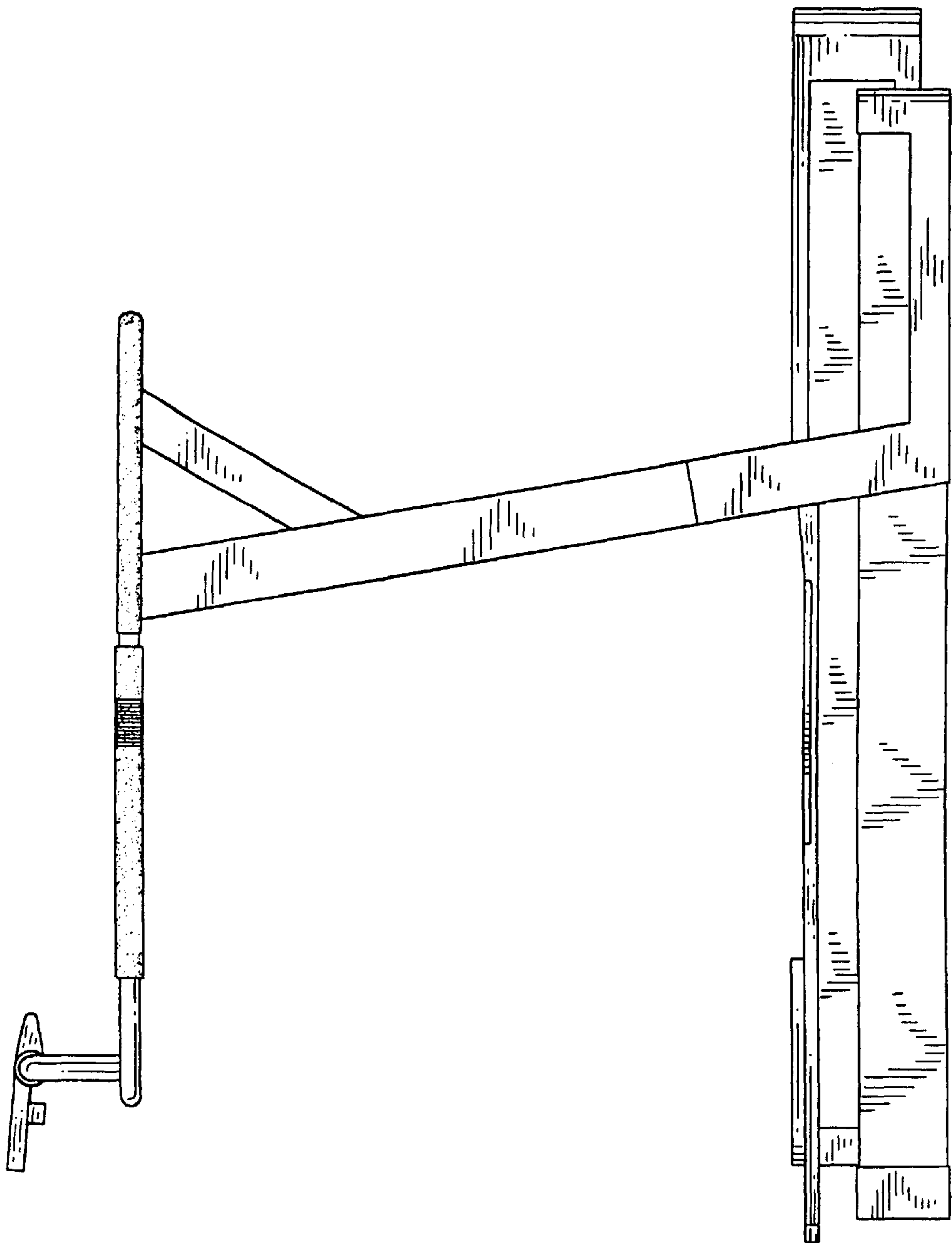


FIG. 2

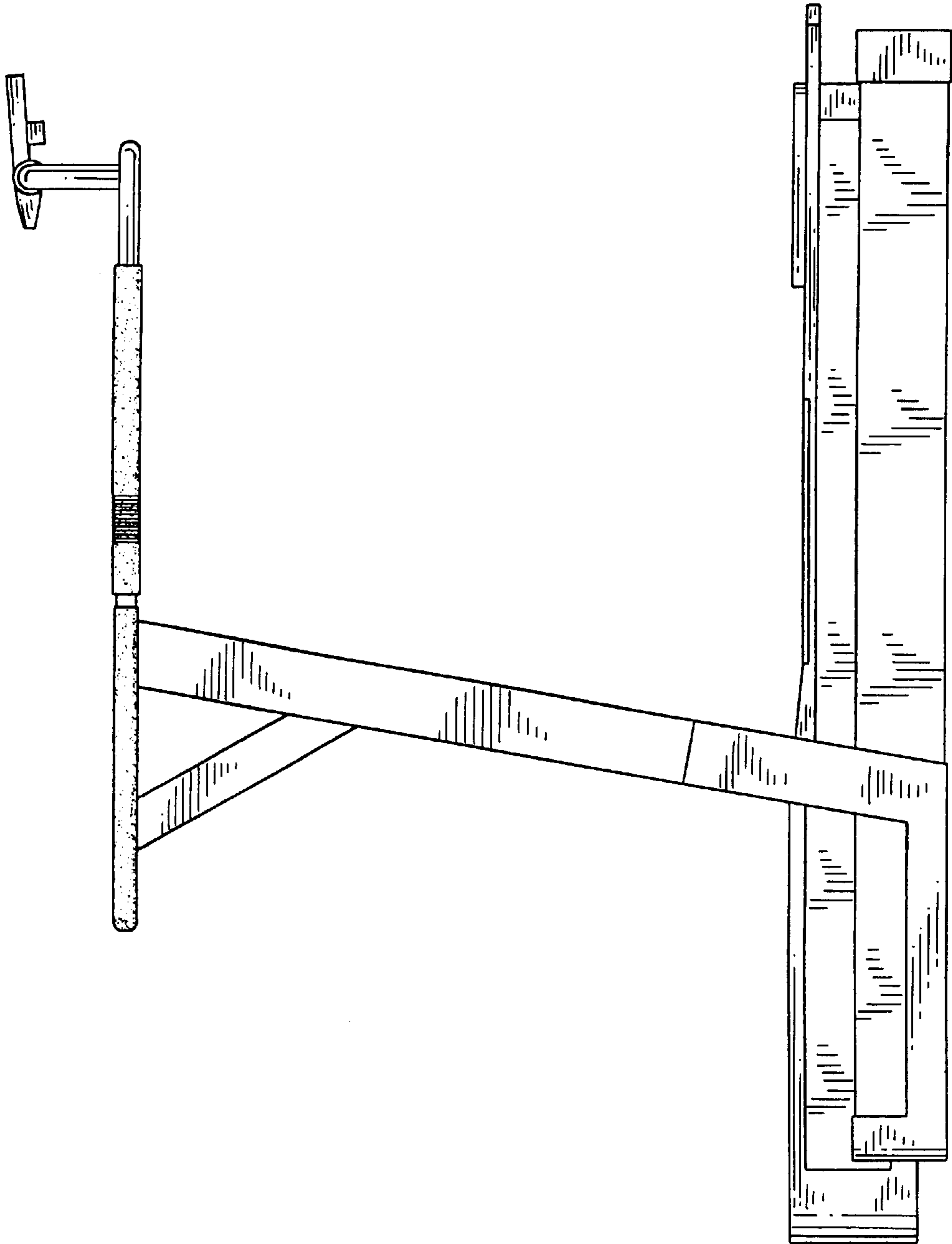


FIG. 3

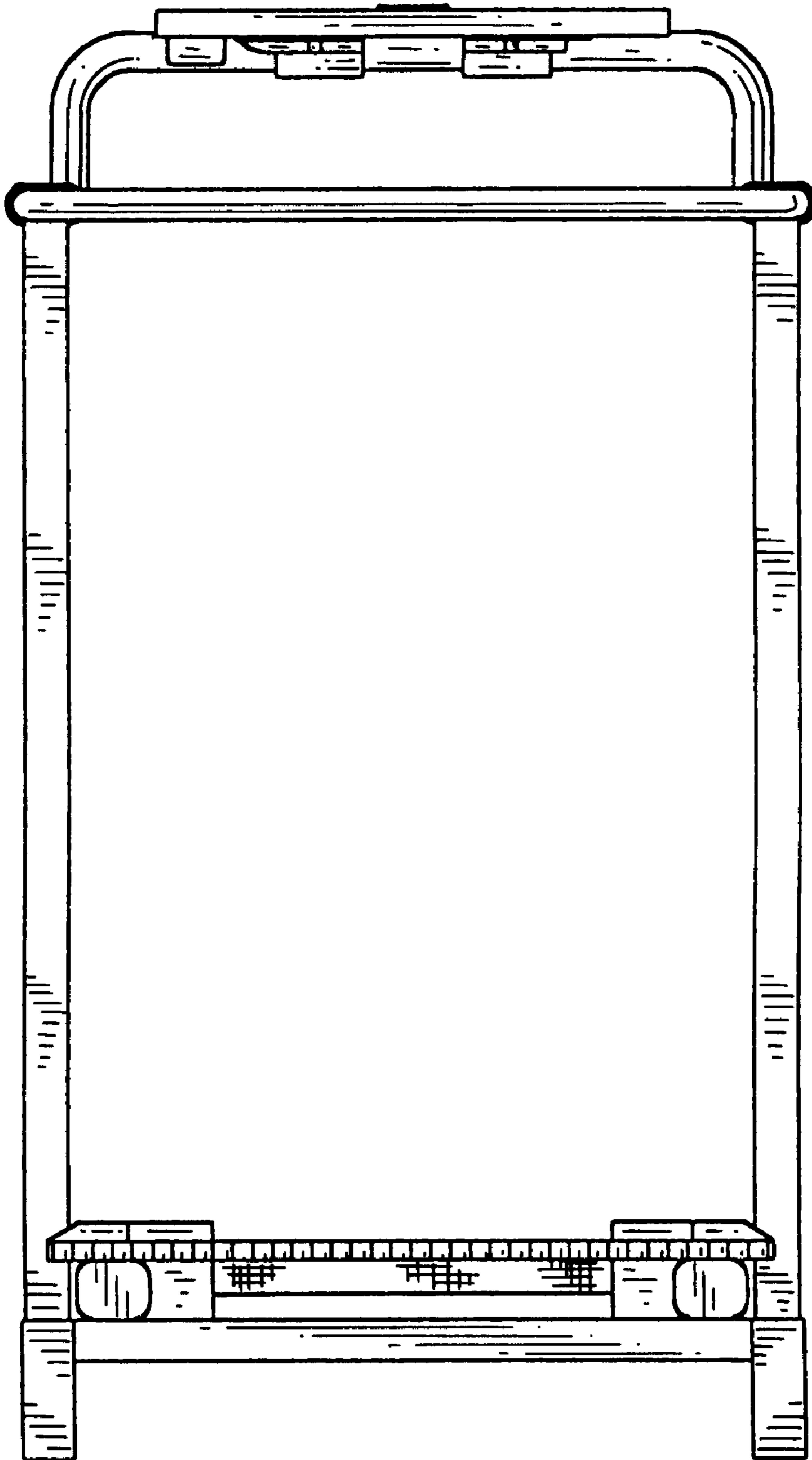


FIG. 4

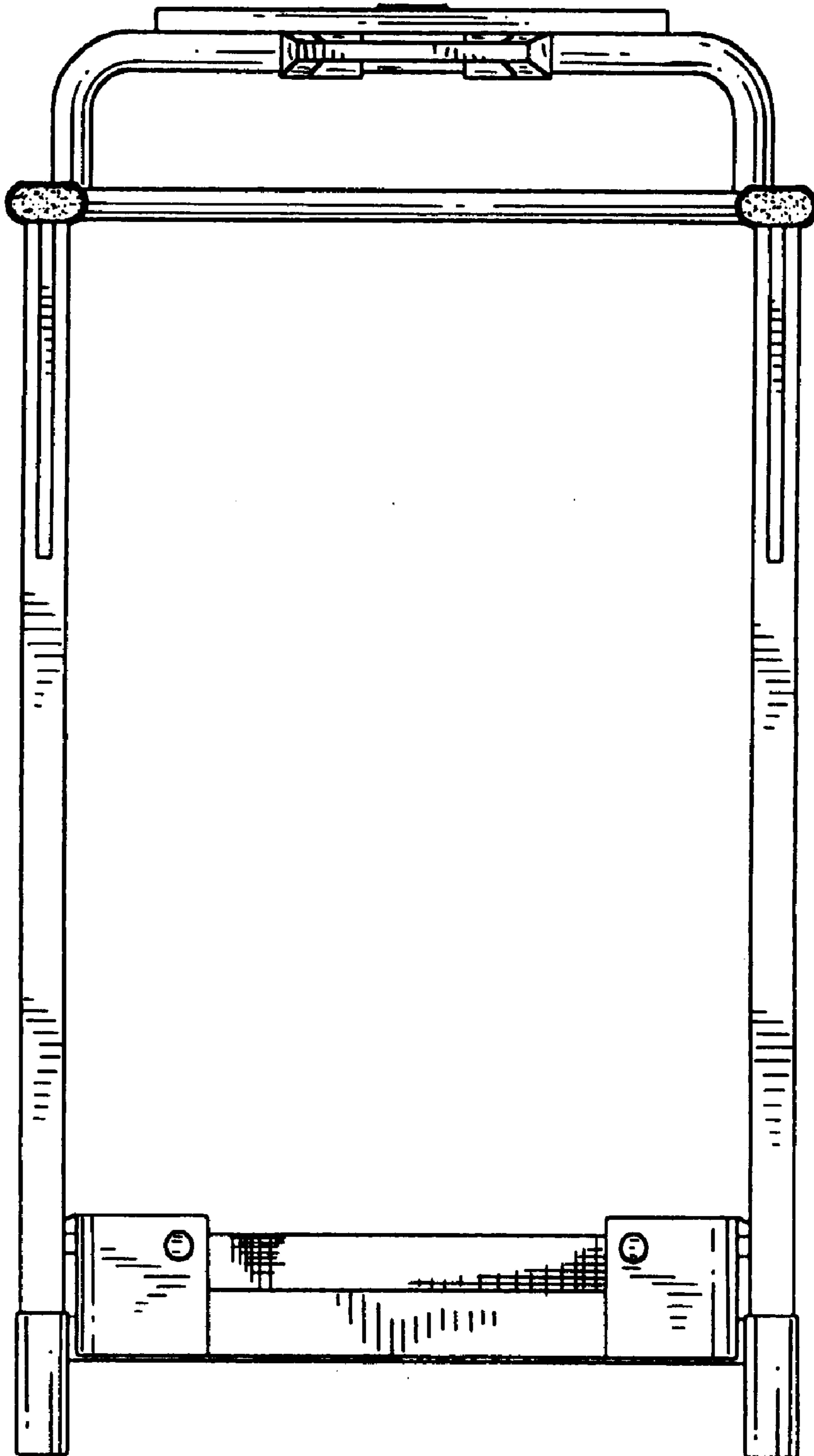


FIG. 5

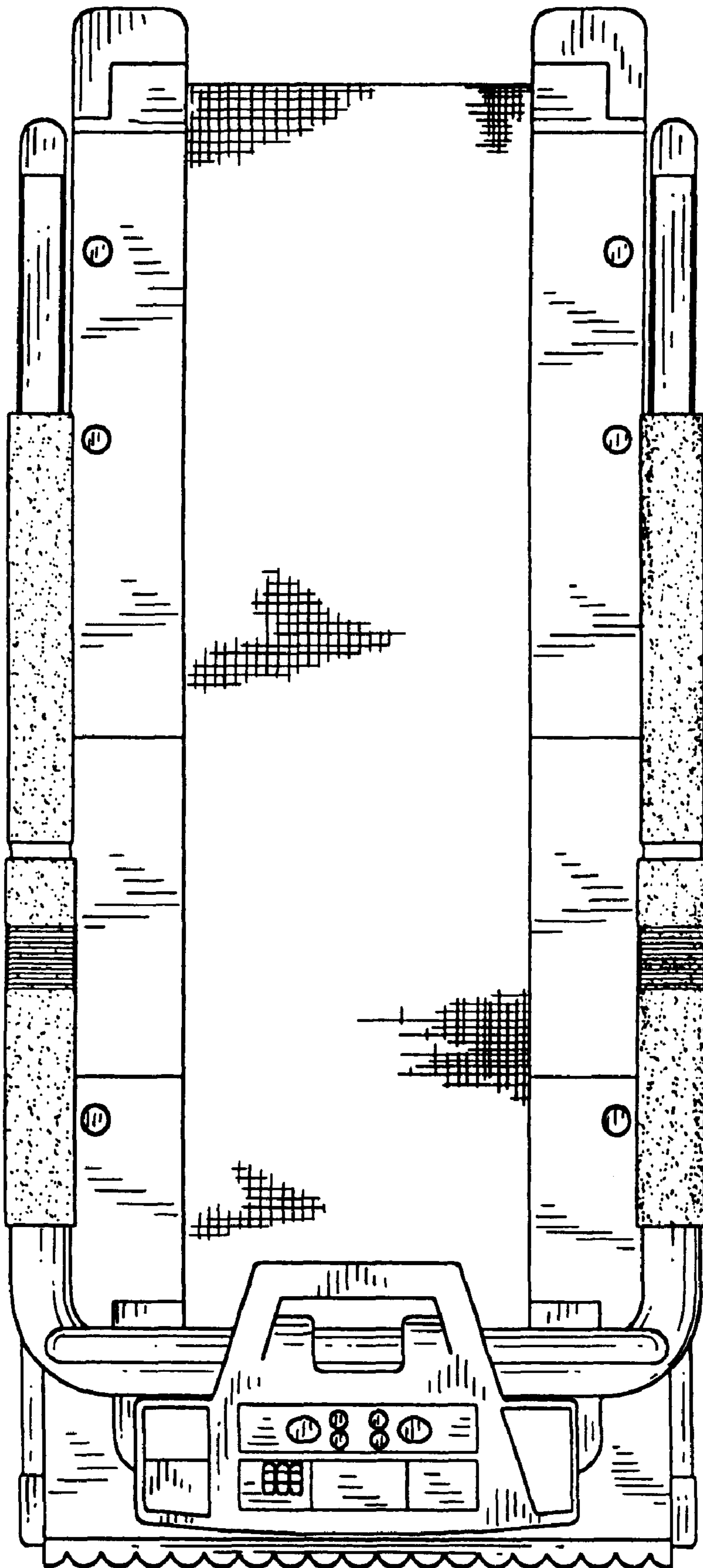


FIG. 6

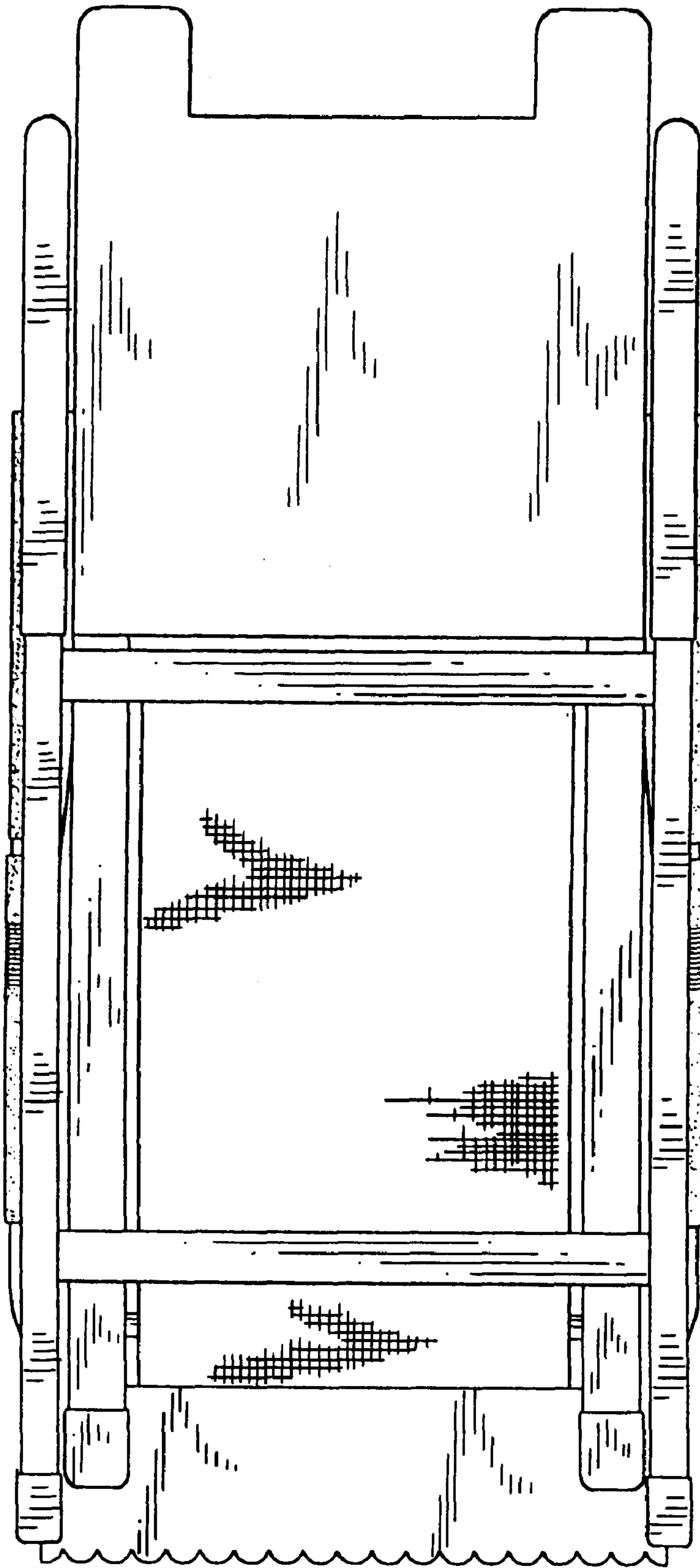


FIG. 7