



US00D445148S

(12) **United States Design Patent**
McIntosh

(10) **Patent No.:** **US D445,148 S**

(45) **Date of Patent:** **** Jul. 17, 2001**

(54) **TOY CONSTRUCTION BLOCK**

(76) Inventor: **Eric G. McIntosh**, #207 - 1066 E. 8th Avenue, Vancouver, British Columbia (CA), V5T 1T9

(**) Term: **14 Years**

(21) Appl. No.: **29/088,588**

(22) Filed: **May 28, 1998**

(51) **LOC (7) Cl.** **21-01**

(52) **U.S. Cl.** **D21/500**

(58) **Field of Search** D21/483-505;
D25/113-118; 446/85, 93-96, 102-107,
110-113, 120-122, 124, 128, 127; 52/592.1,
592.2, 592.4

(56) **References Cited**

U.S. PATENT DOCUMENTS

D. 378,838 * 4/1997 Olen et al. D21/486
D. 387,431 12/1997 Tremblay .

(List continued on next page.)

FOREIGN PATENT DOCUMENTS

81482 8/1997 (CA) .
81483 8/1997 (CA) .
81484 8/1997 (CA) .
81485 8/1997 (CA) .

Primary Examiner—Raphael Barkai

(74) *Attorney, Agent, or Firm*—Oyen Wiggs Green and Mutala

(57) **CLAIM**

The ornamental design for a toy construction block, as shown and described.

DESCRIPTION

FIG. 1 is a top perspective view of the full-length toy construction block;

FIG. 2 is a top perspective view of the block from the diagonally opposite corner from the view of FIG. 1;

FIG. 3 is a bottom perspective view of the block;

FIG. 4 is a bottom perspective view of the block from the diagonally opposite corner from the view of FIG. 3;

FIG. 5 is a top plan view of the block;

FIG. 6 is a bottom plan view of the block;

FIG. 7 is a front side view of the block;

FIG. 8 is a rear side view of the block;

FIG. 9 is a left side view of the block;

FIG. 10 is a right side view of the block;

FIG. 11 is a top perspective view of a modified embodiment of the design shown in FIGS. 1-10.

FIG. 12 is a top perspective view of the half-length block from the diagonally opposite corner from the view of FIG. 11;

FIG. 13 is a bottom perspective view of the half-length block;

FIG. 14 is a bottom perspective view of the half-length block from the diagonally opposite corner from the view of FIG. 13;

FIG. 15 is a top plan view of the half-length block;

FIG. 16 is a bottom plan view of the half-length block;

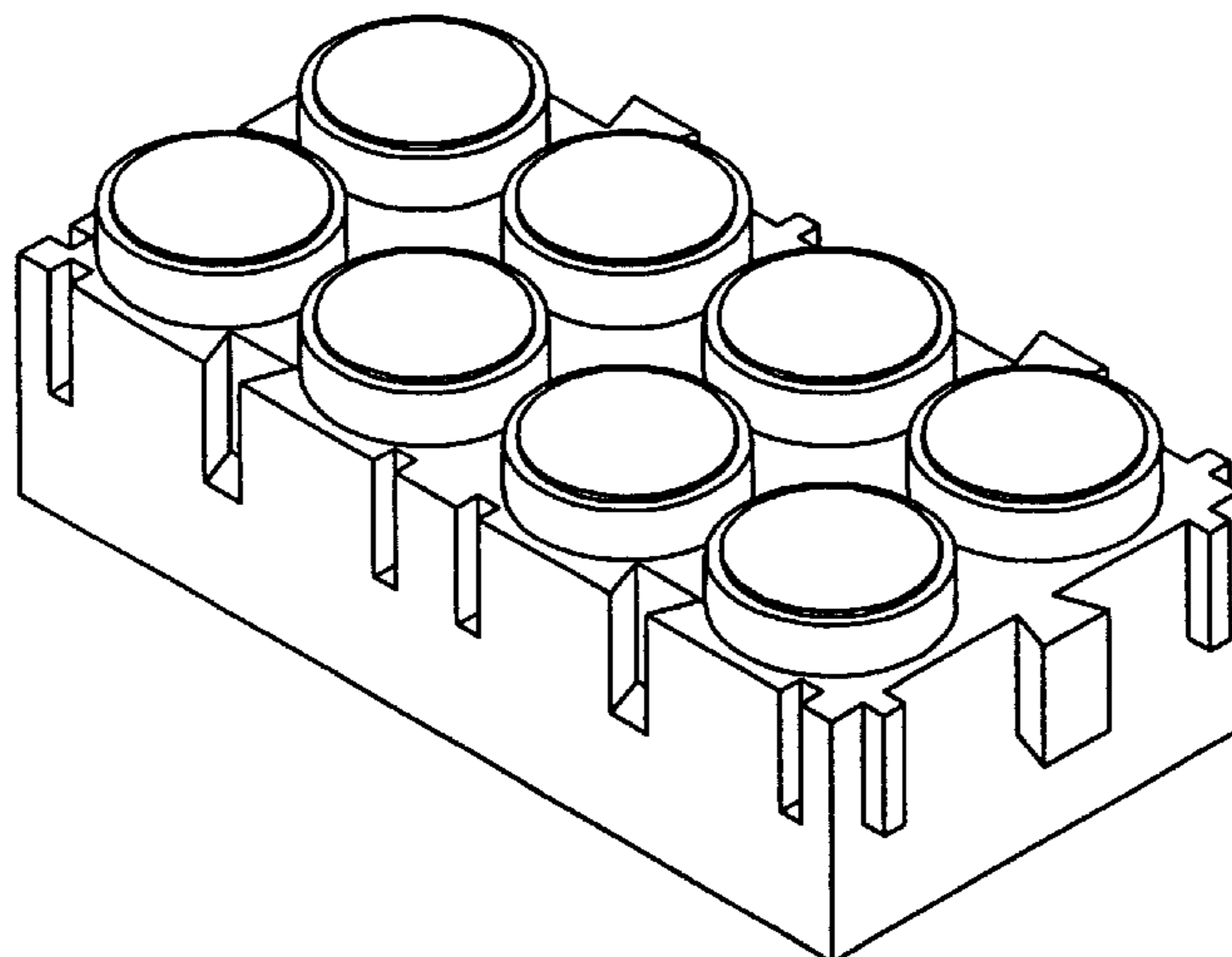
FIG. 17 is a front side view of the half-length block;

FIG. 18 is a rear side view of the half-length block;

FIG. 19 is a left side view of the half-length block; and,

FIG. 20 is a right side view of the half-length block.

1 Claim, 10 Drawing Sheets



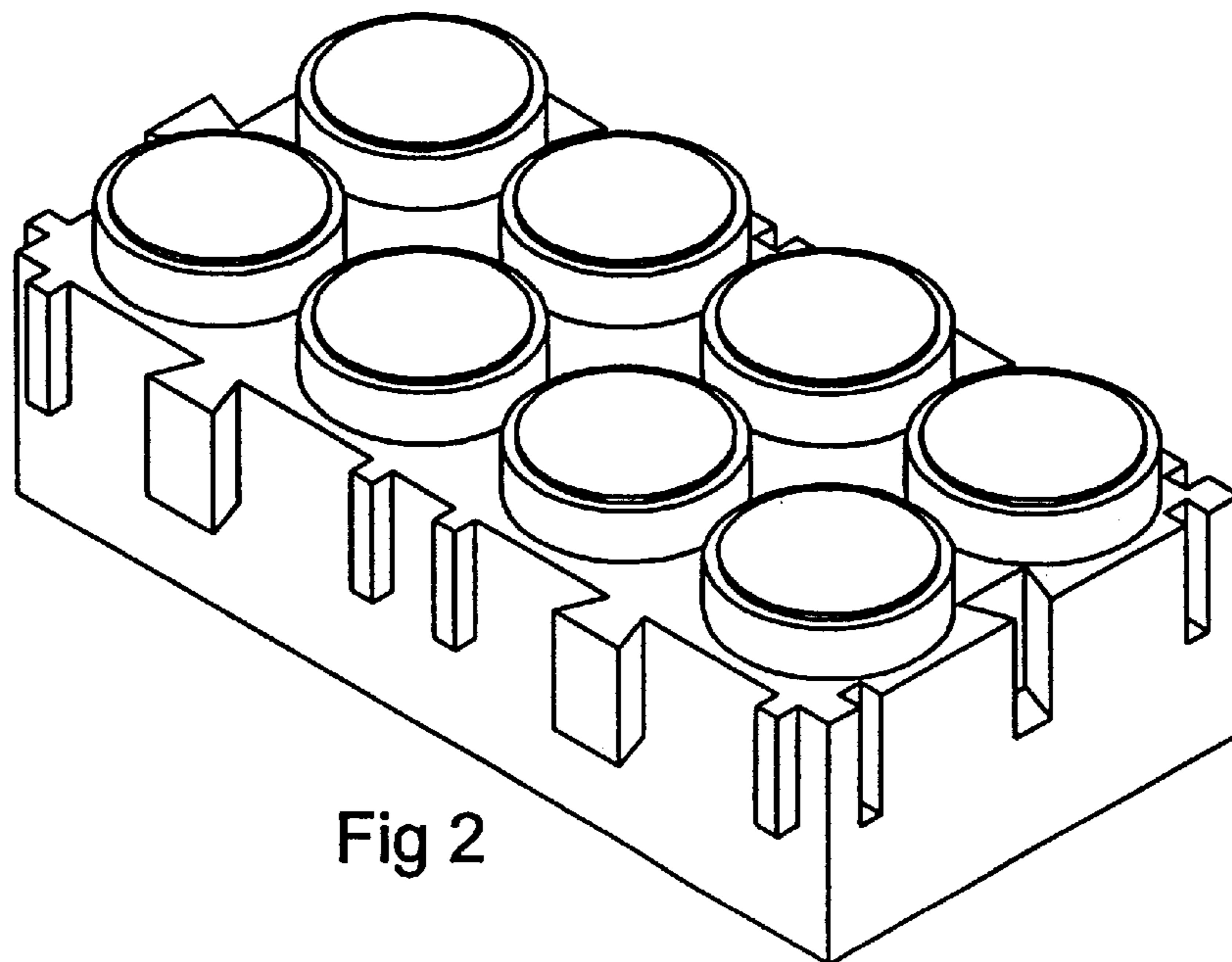
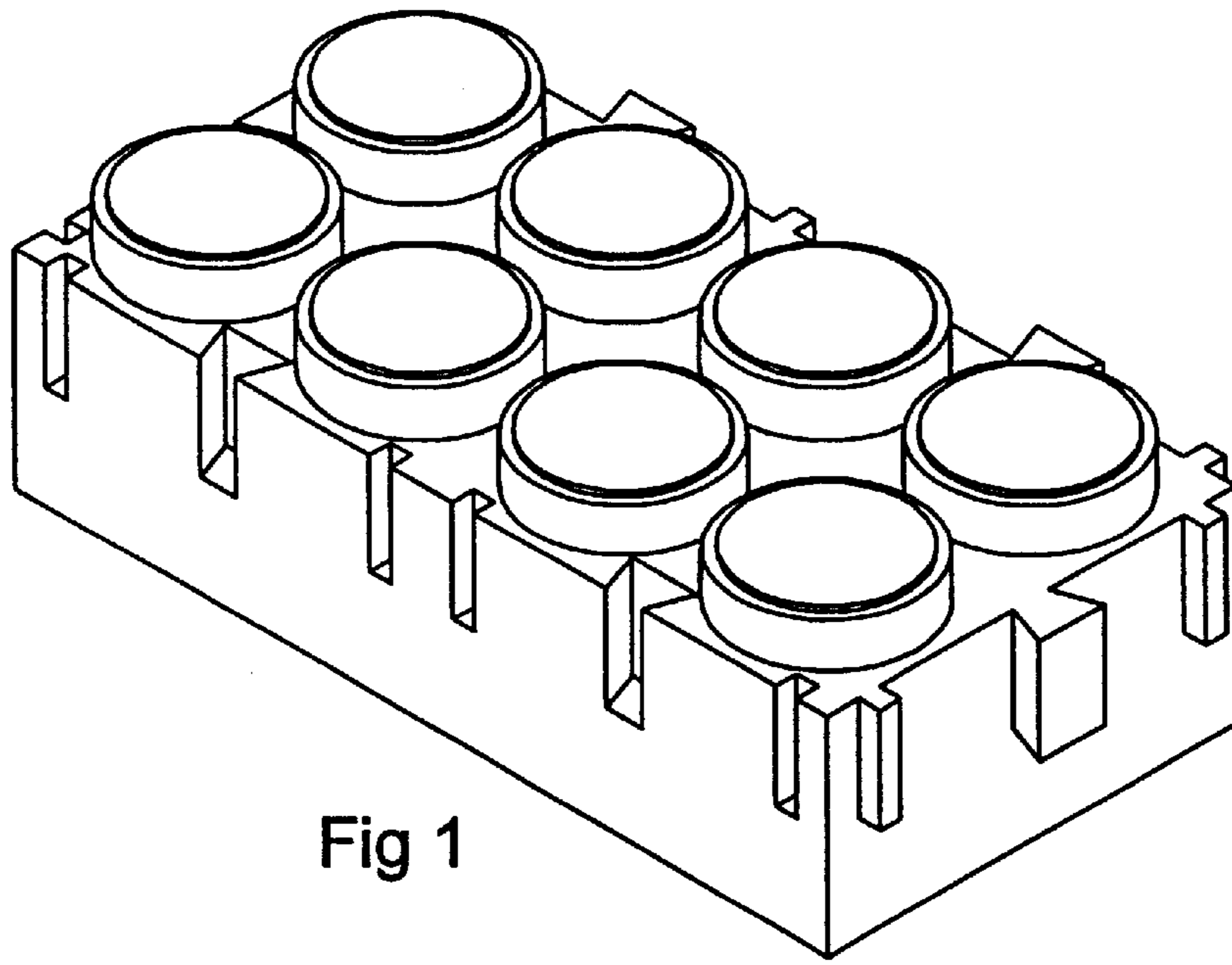
US D445,148 S

Page 2

U.S. PATENT DOCUMENTS

| | | | | | | |
|-------------|---------|-----------------|-------------|---------|--------------------|---------|
| 460,177 | 9/1891 | Cook . | 3,464,624 * | 9/1969 | Christiansen | 446/128 |
| 868,838 | 10/1907 | Brewington . | 3,558,138 | 1/1971 | Lemelson . | |
| 964,160 | 7/1910 | Hammett . | 3,570,170 * | 3/1971 | Kishi | 446/128 |
| 1,130,324 | 3/1915 | Owen . | 4,035,947 | 7/1977 | Burge . | |
| 1,163,851 * | 12/1915 | Pringle | 4,516,364 | 5/1985 | Heider . | |
| | | D21/486 | 4,552,541 * | 11/1985 | Bolli | 446/128 |
| 1,531,542 | 3/1925 | Cogshall . | 4,744,780 * | 5/1988 | Volpe | 446/128 |
| 1,984,393 * | 12/1934 | Brown | 5,069,647 | 12/1991 | Zuviria . | |
| | | 52/592.1 | 5,365,714 | 11/1994 | Potvin . | |
| 2,472,363 | 6/1949 | Blackinton . | 5,527,201 * | 6/1996 | Maddock | 446/104 |
| 2,619,829 | 12/1952 | Tatum . | 5,653,621 | 8/1997 | Yao . | |
| 2,800,743 | 7/1957 | Meehan et al. . | 5,707,271 * | 1/1998 | Kunz et al. | 446/128 |
| 3,005,282 | 10/1961 | Christiansen . | | | | |
| 3,148,477 | 9/1964 | Bjorn et al. . | | | | |
| 3,305,982 | 2/1967 | Steele . | | | | |

* cited by examiner



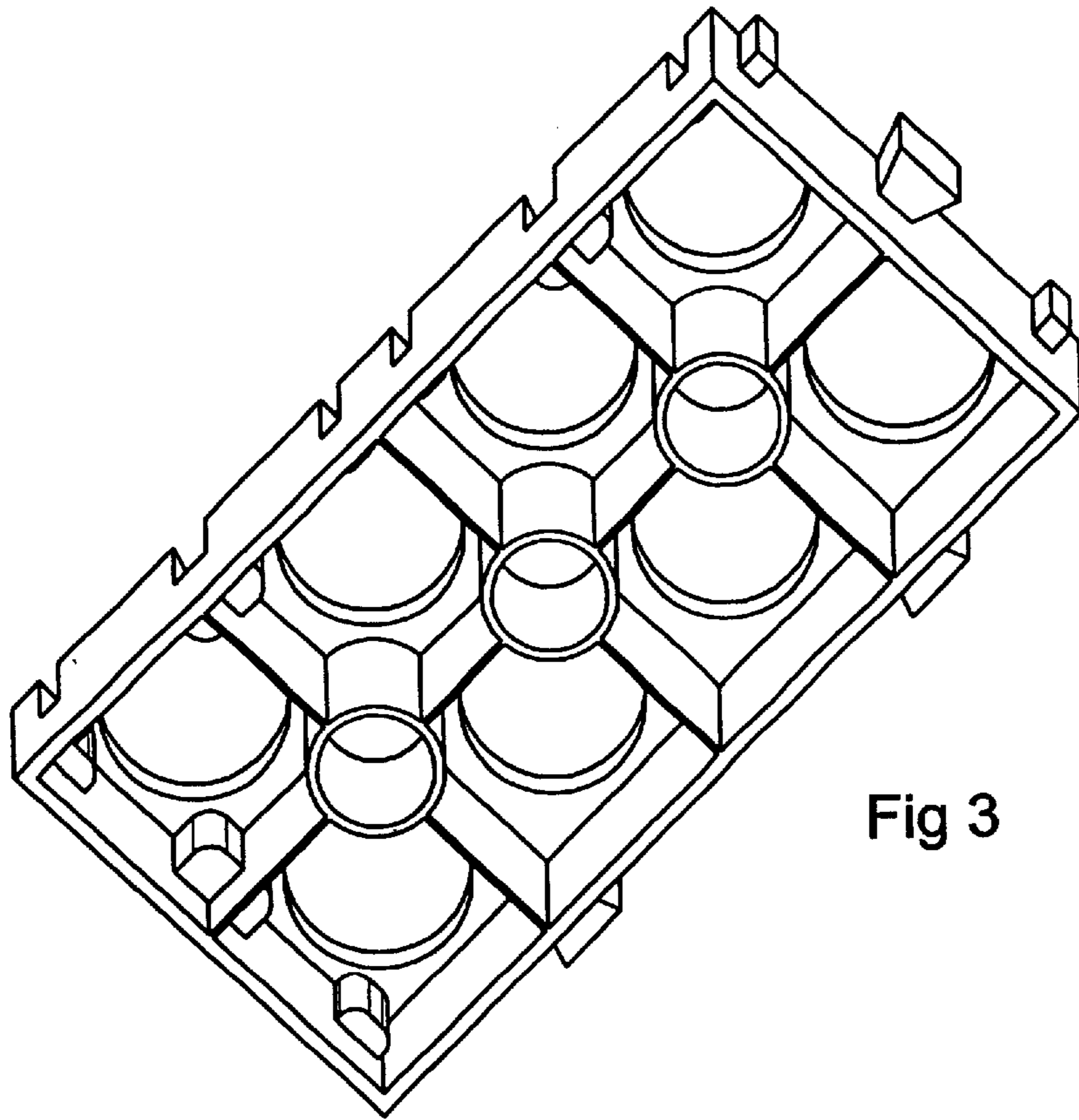


Fig 3

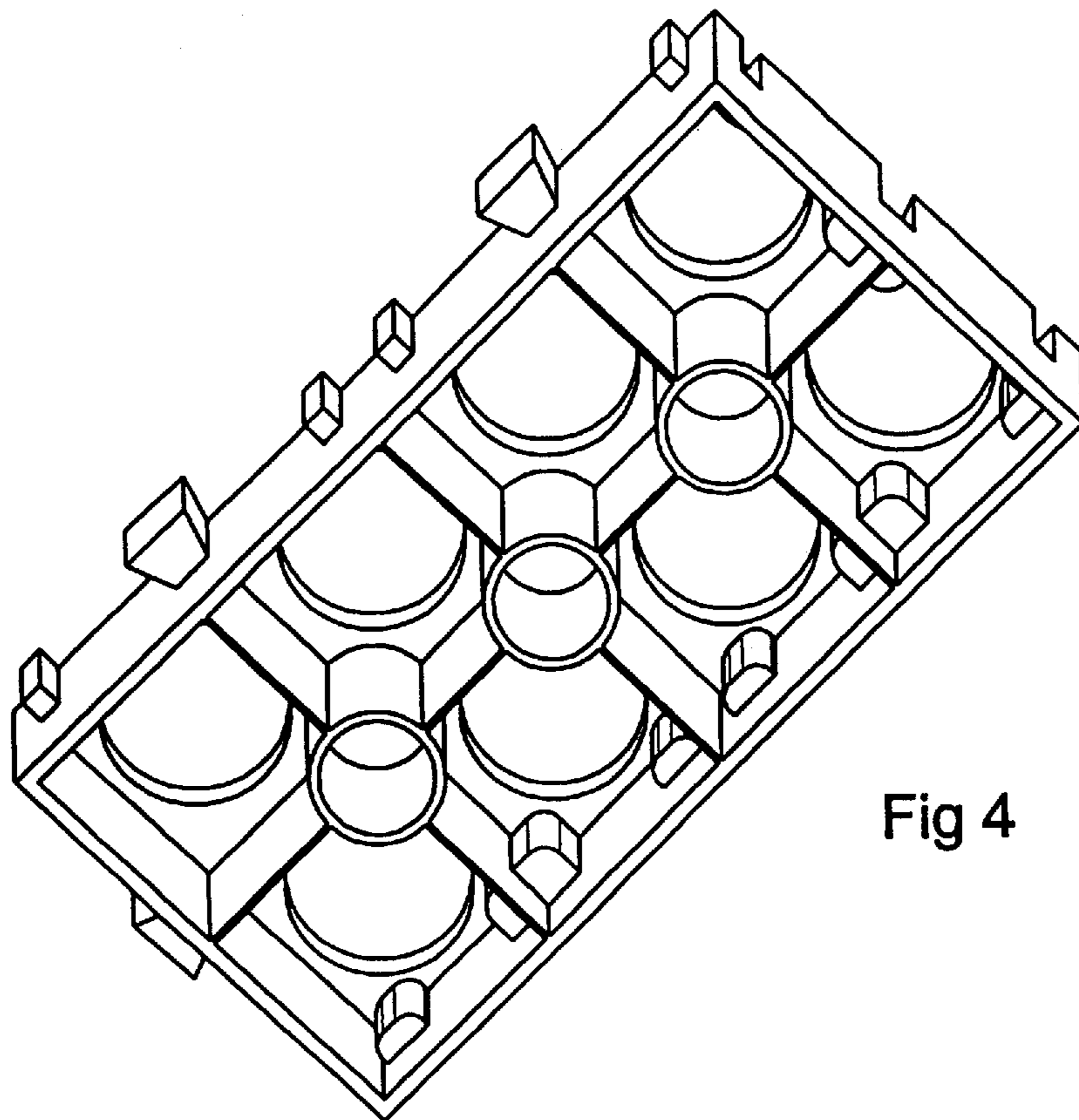


Fig 4

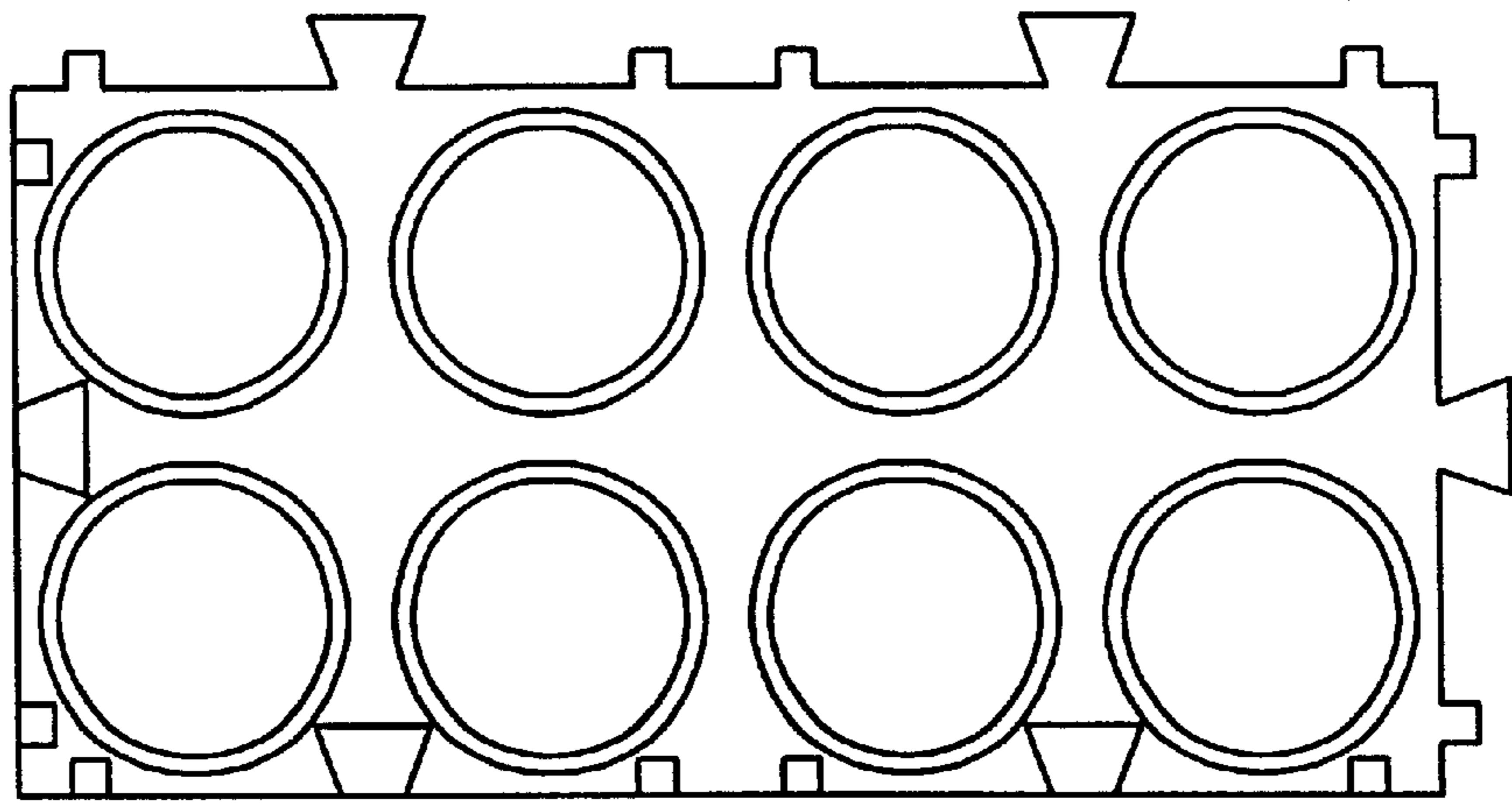


Fig 5

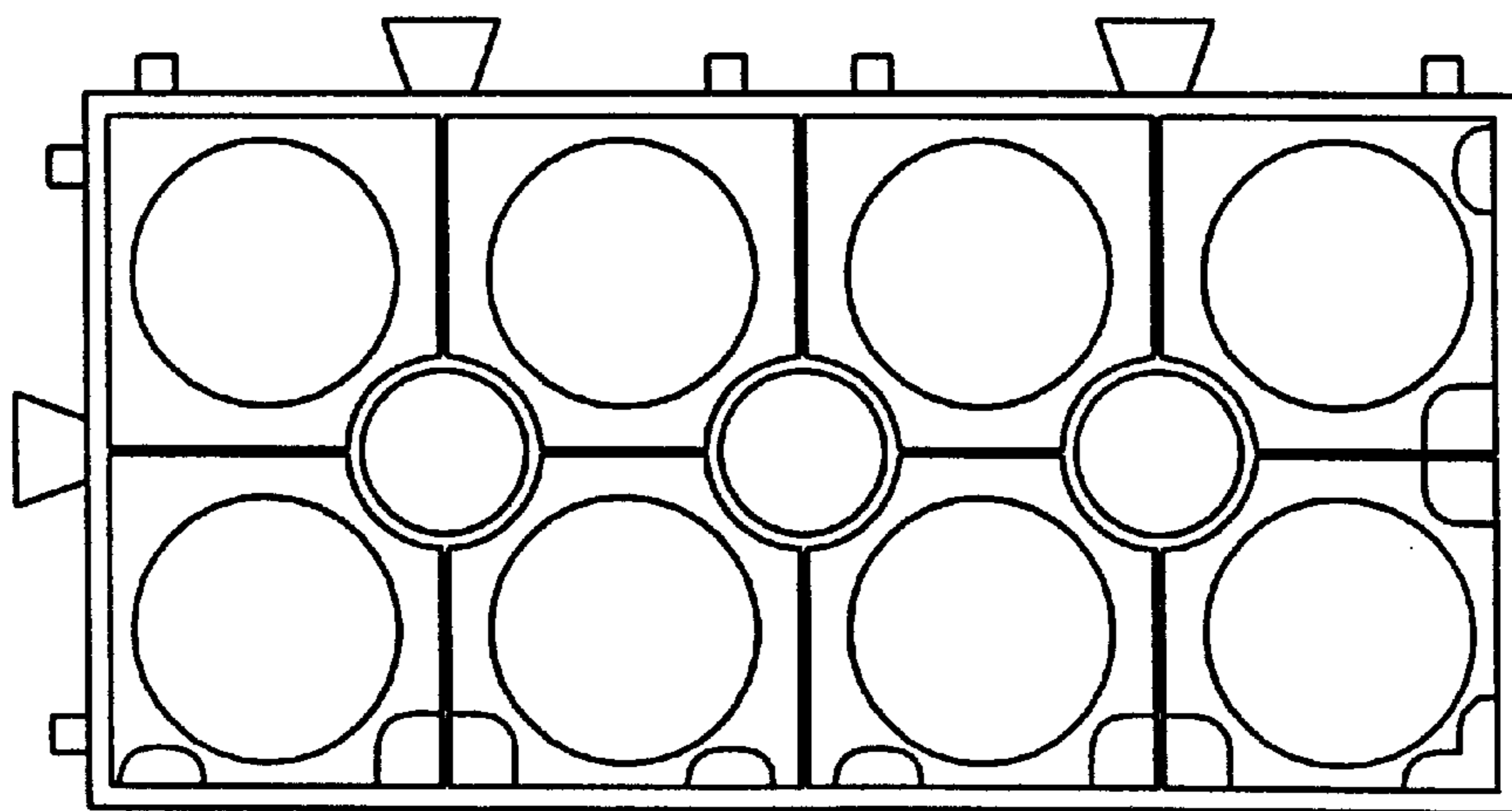


Fig 6

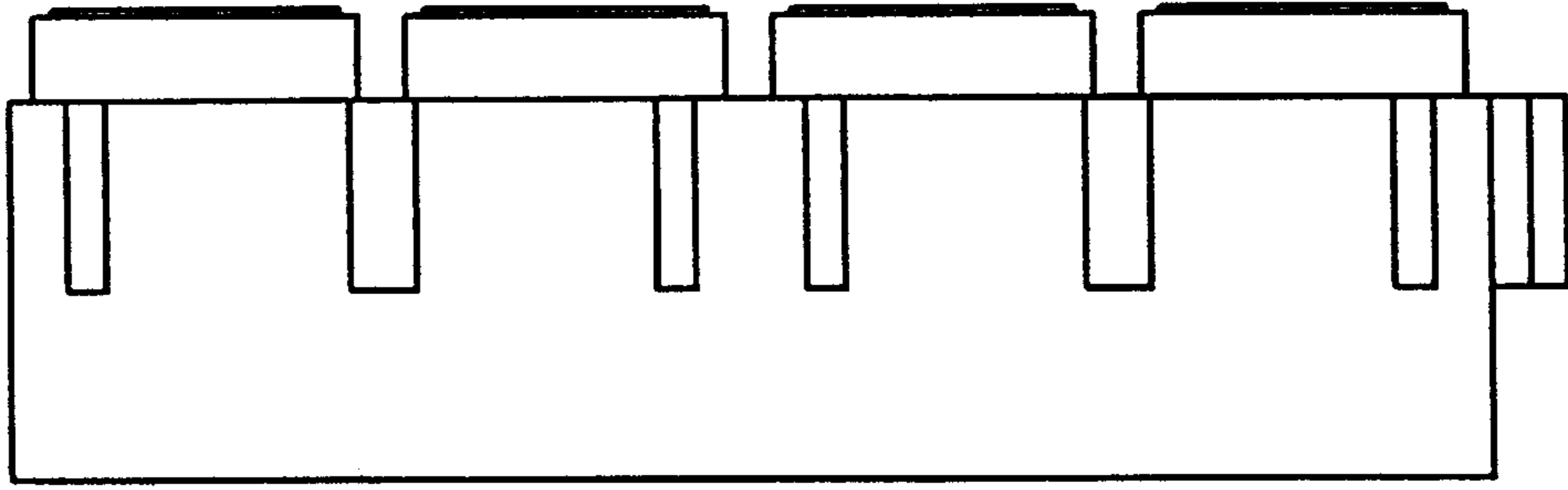


Fig 7

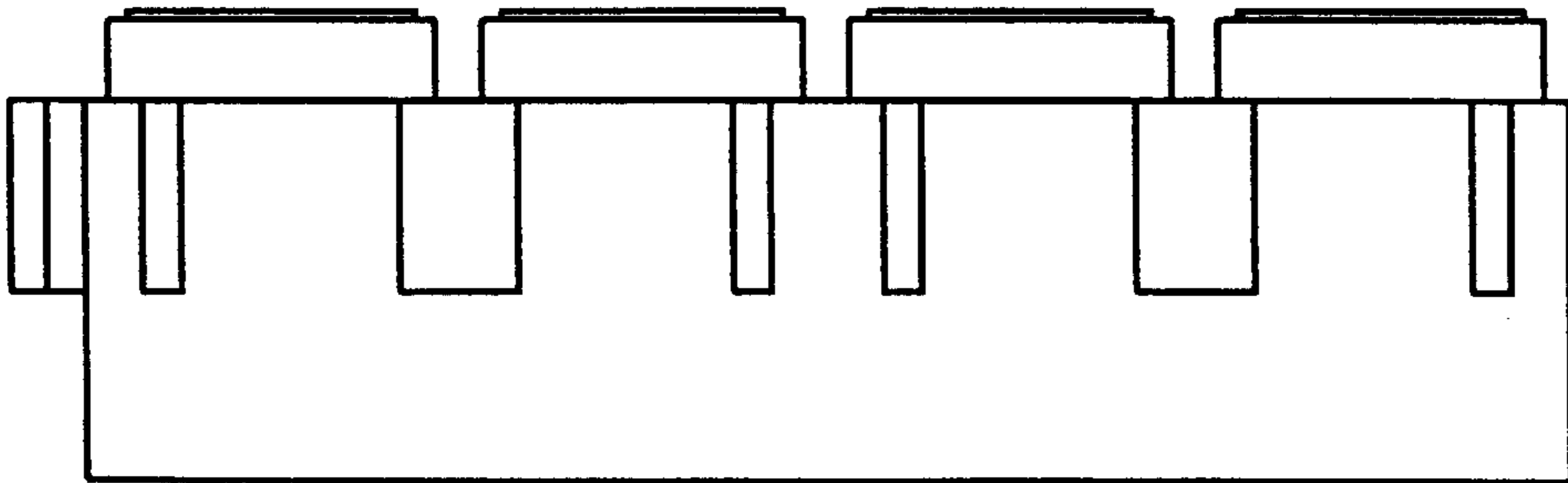


Fig 8

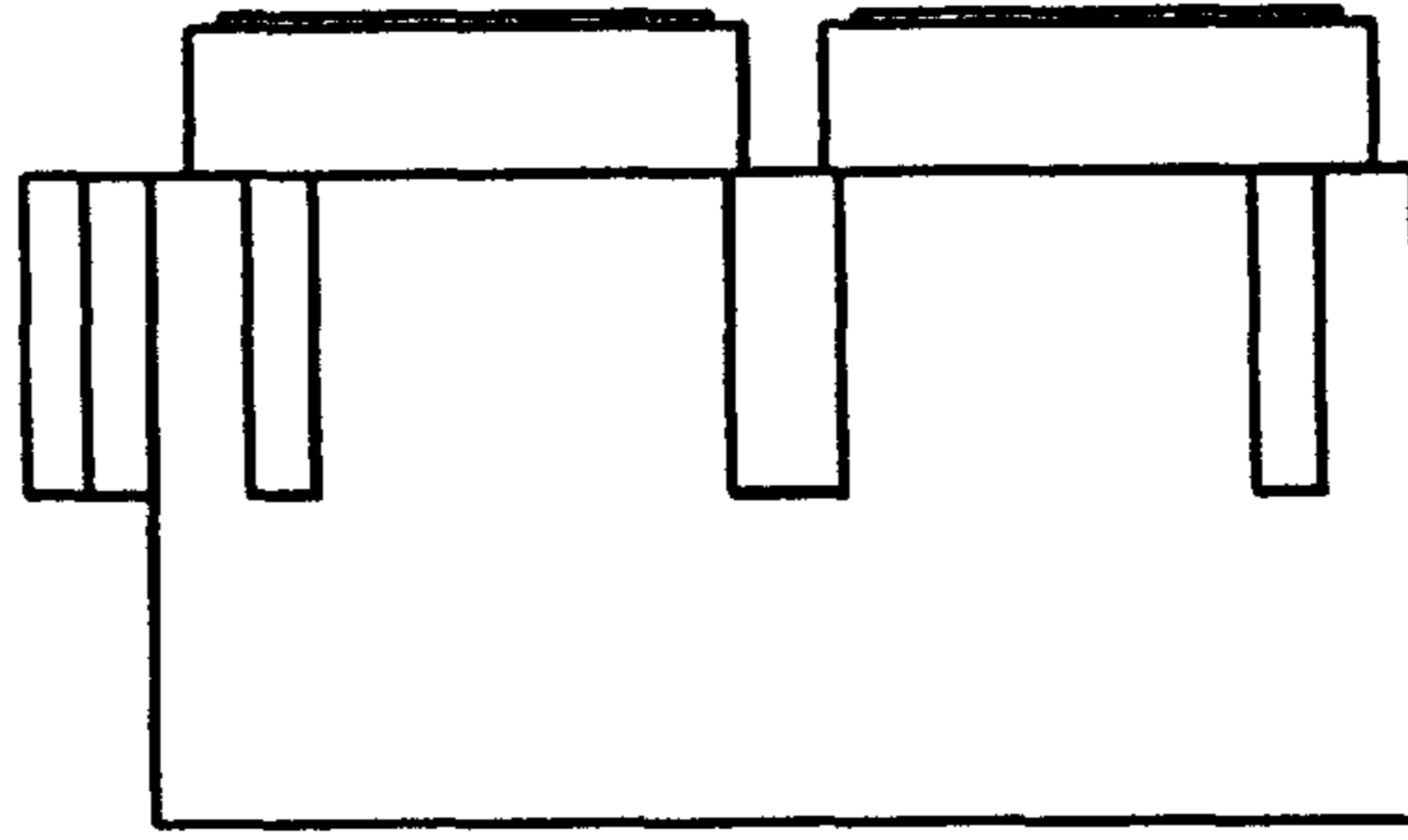


Fig 9

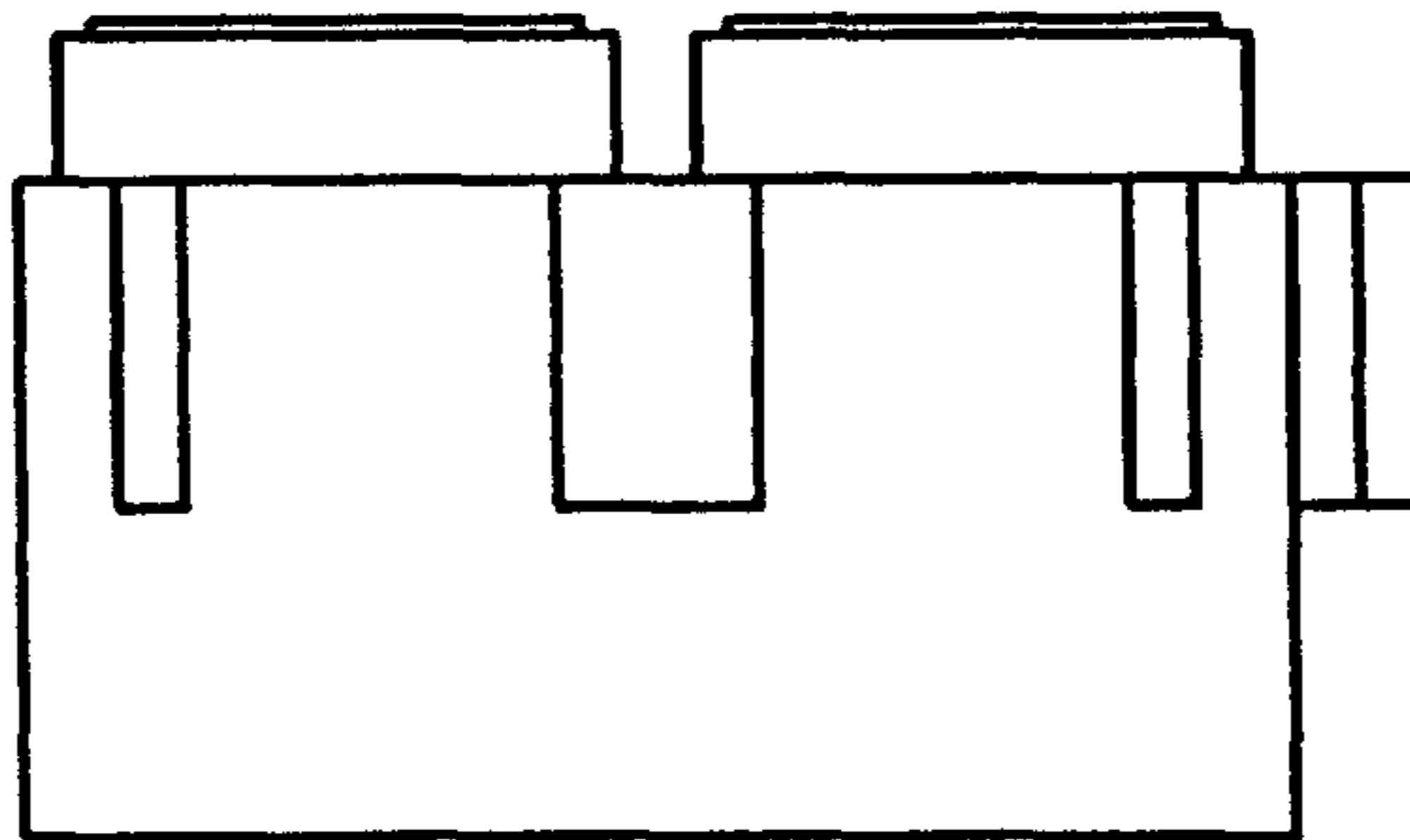


Fig 10

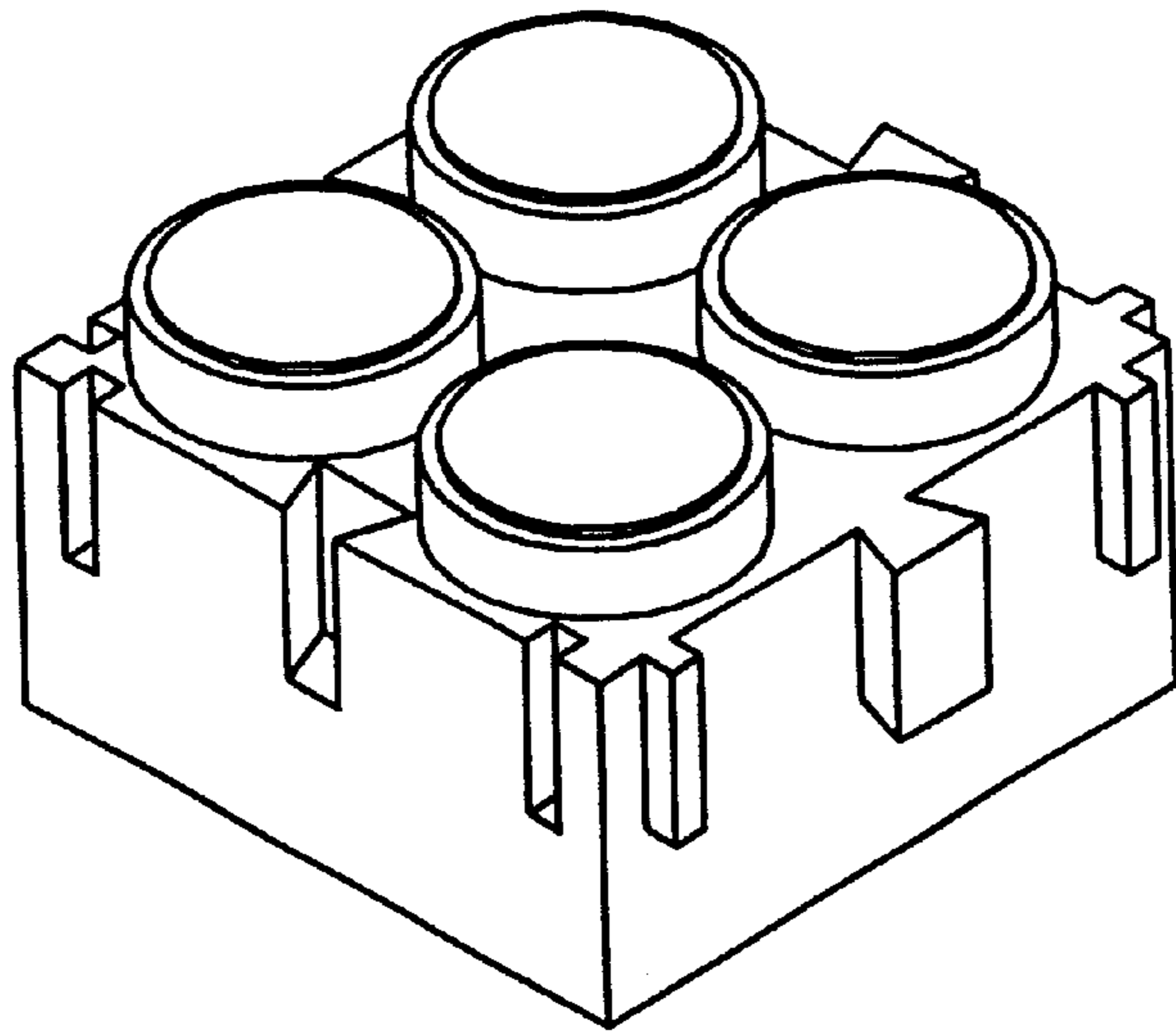


Fig 11

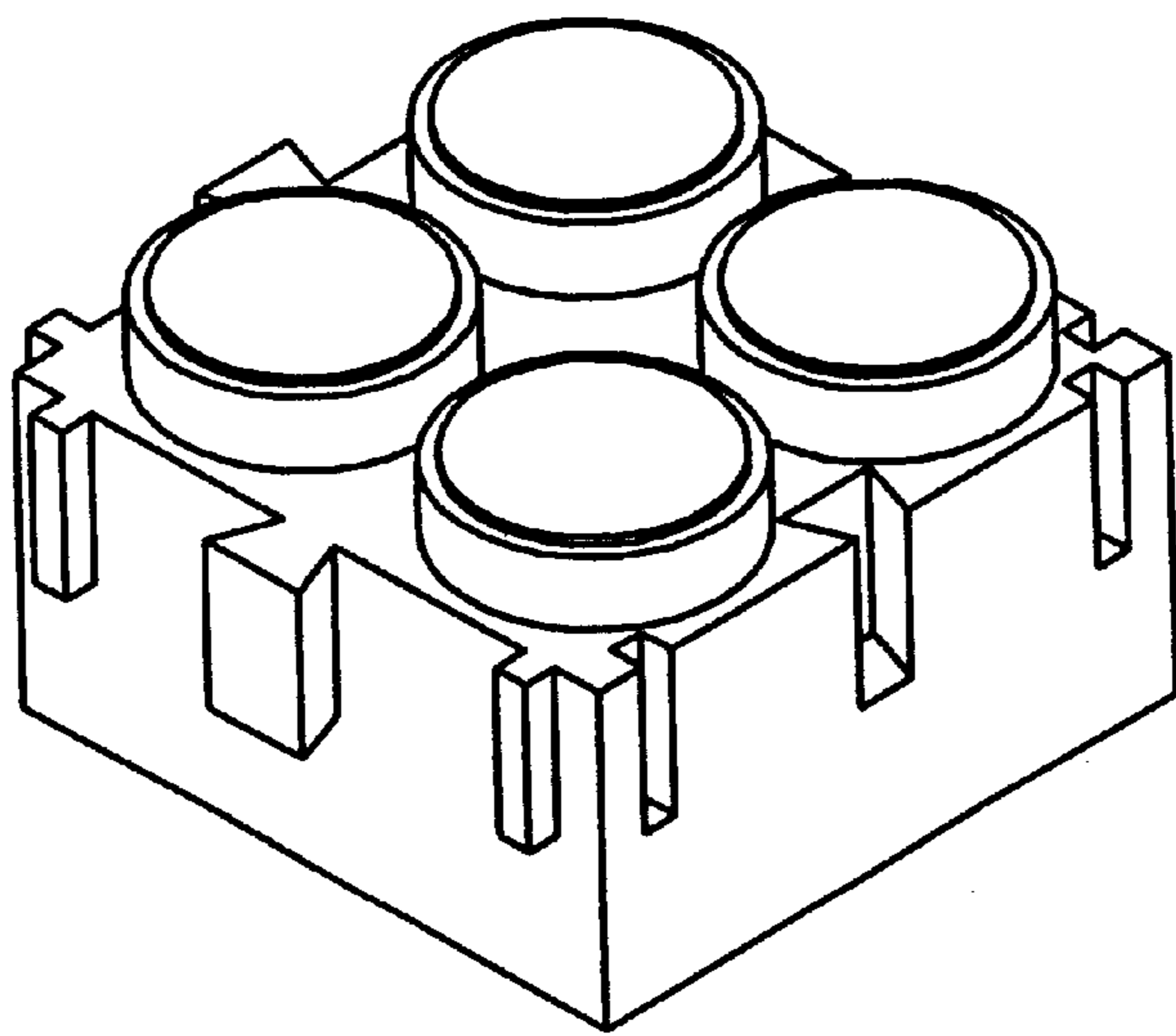


Fig 12

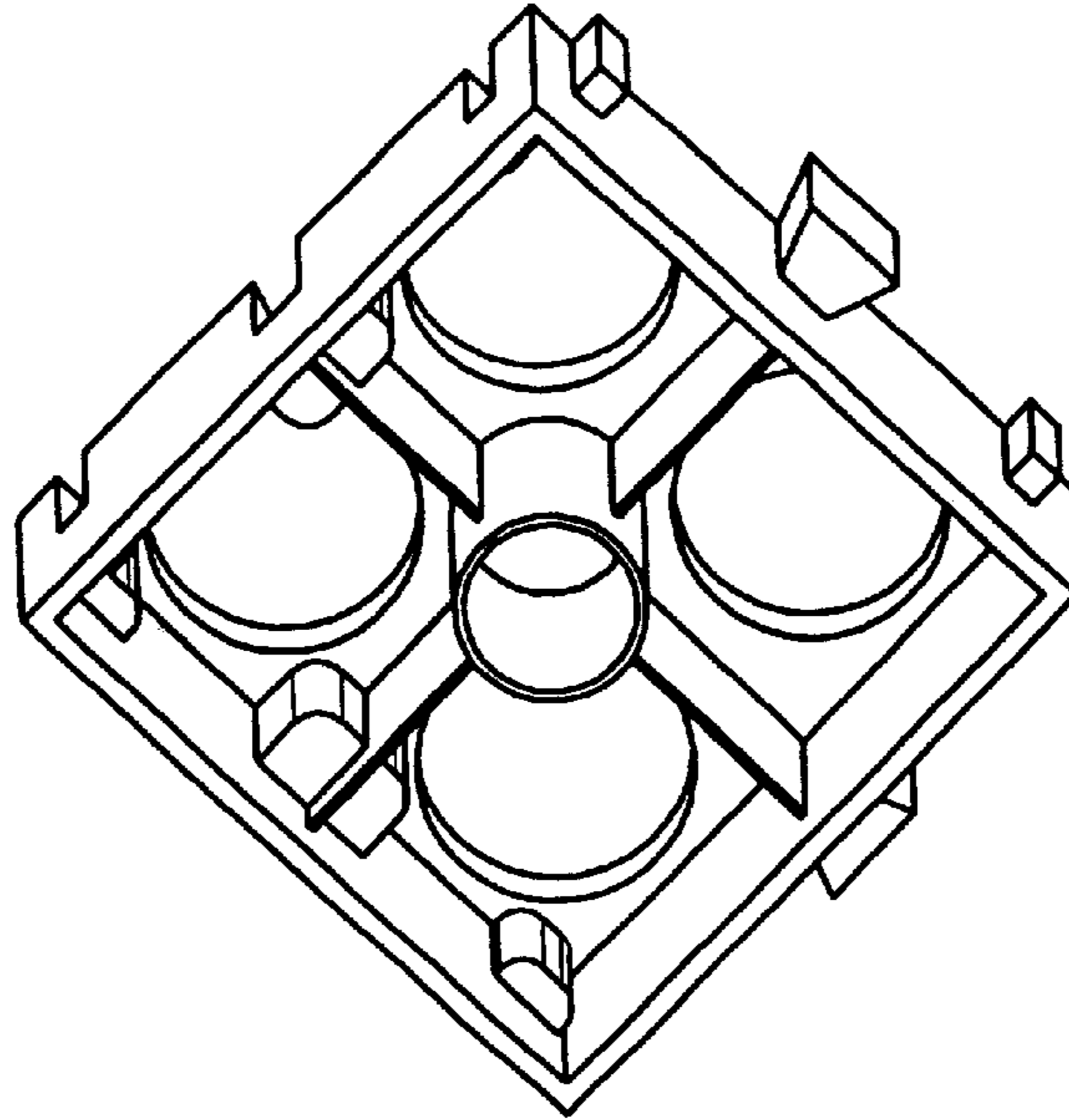


Fig 13

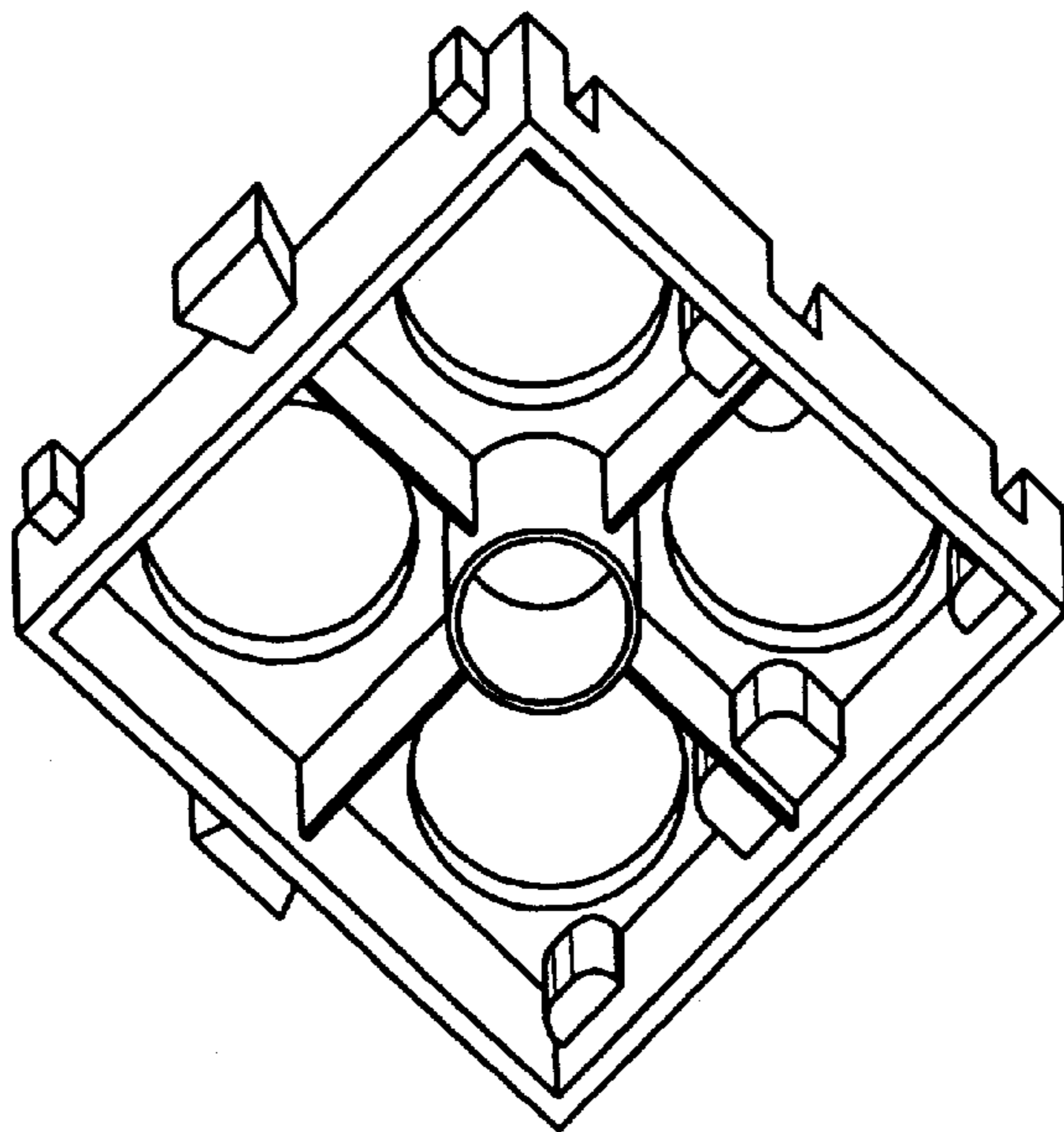


Fig 14

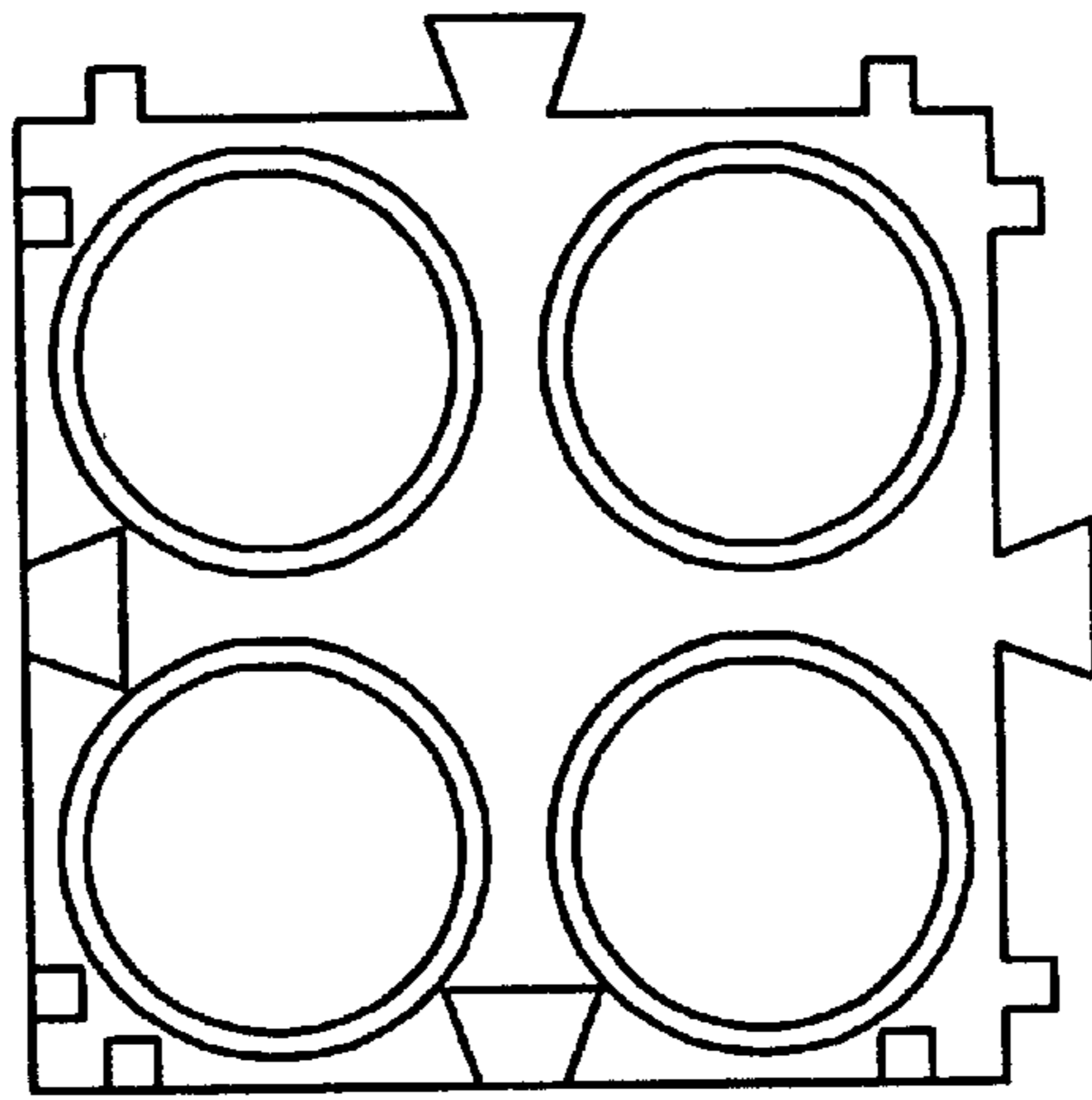


Fig 15

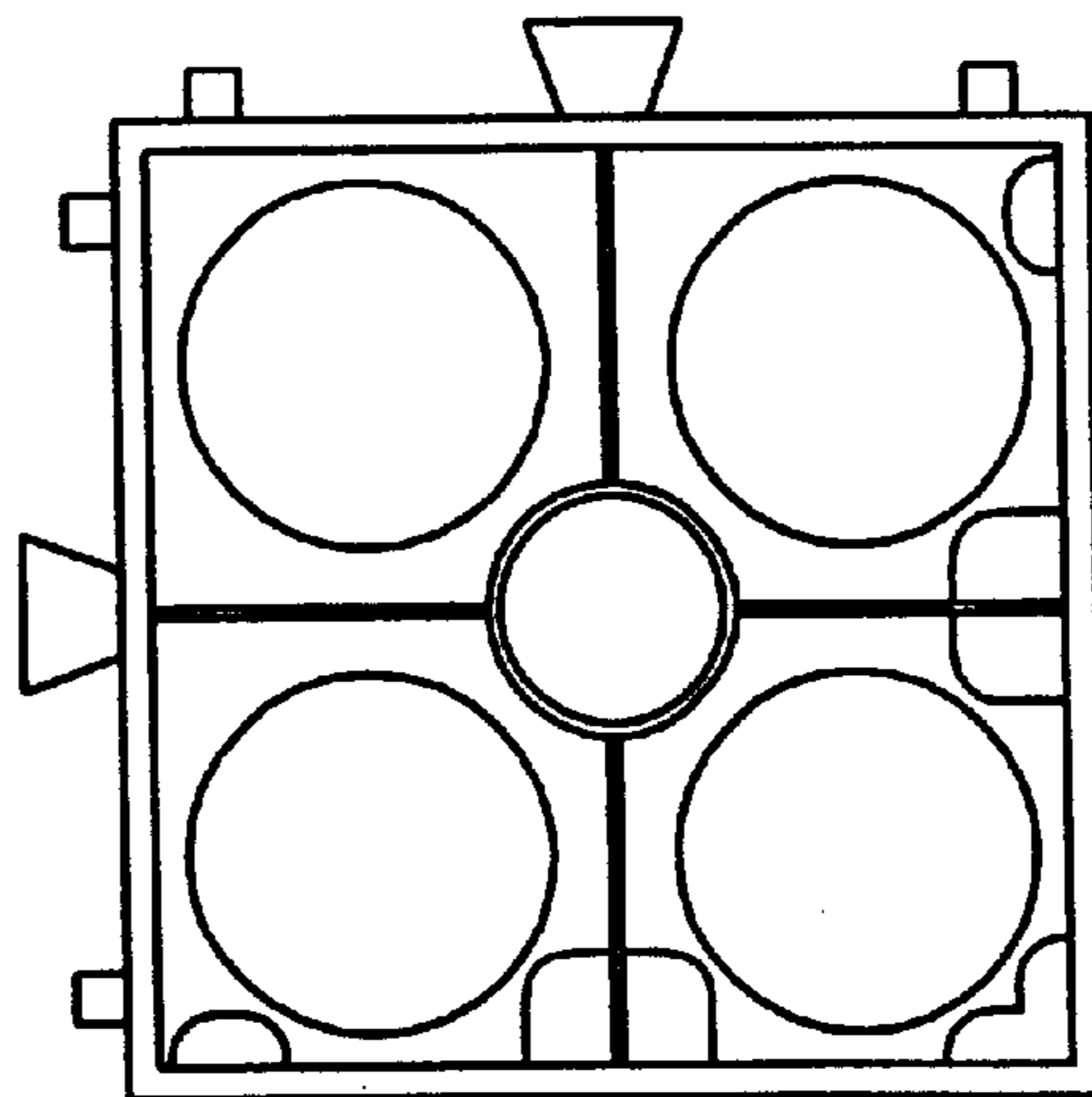


Fig 16

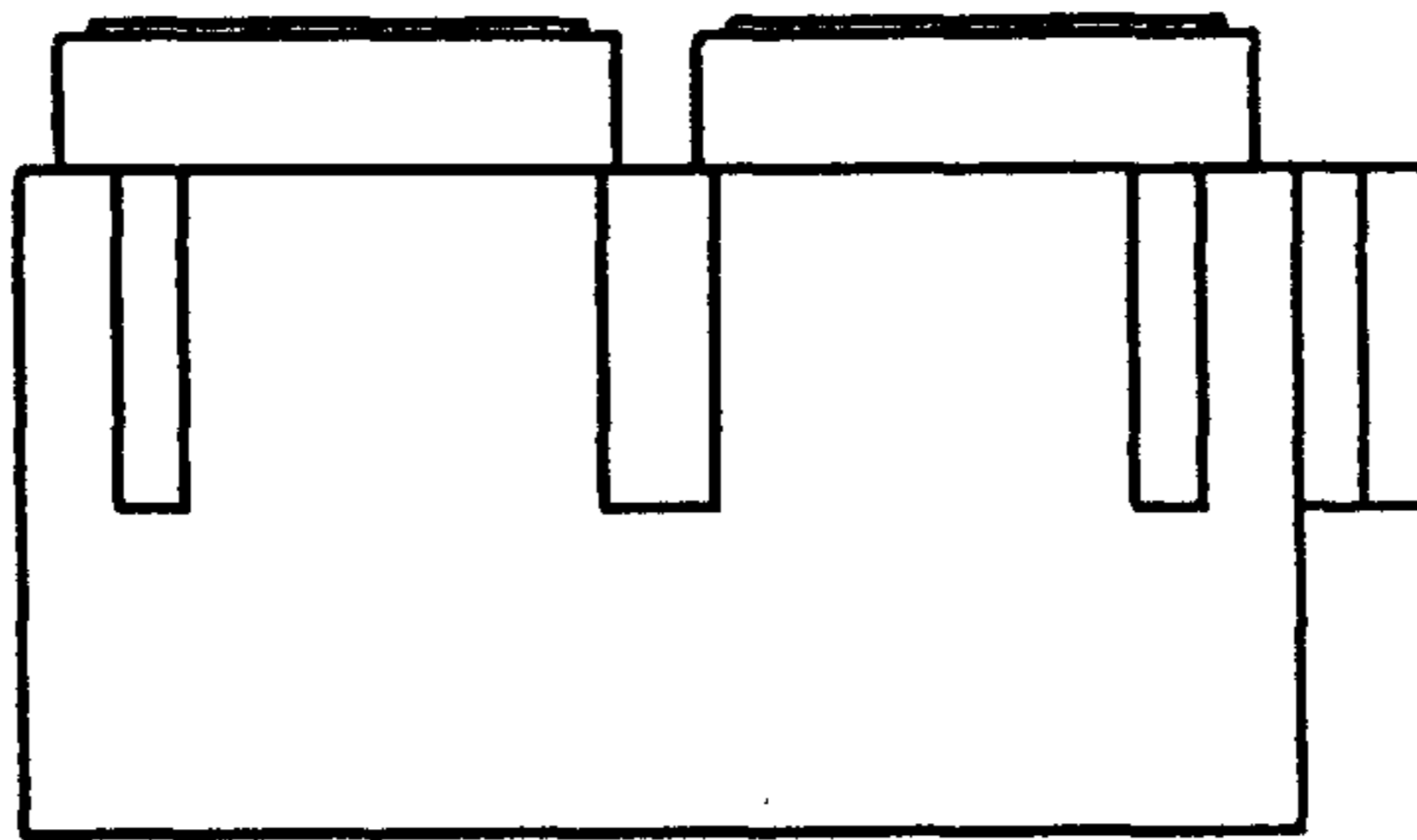


Fig 17

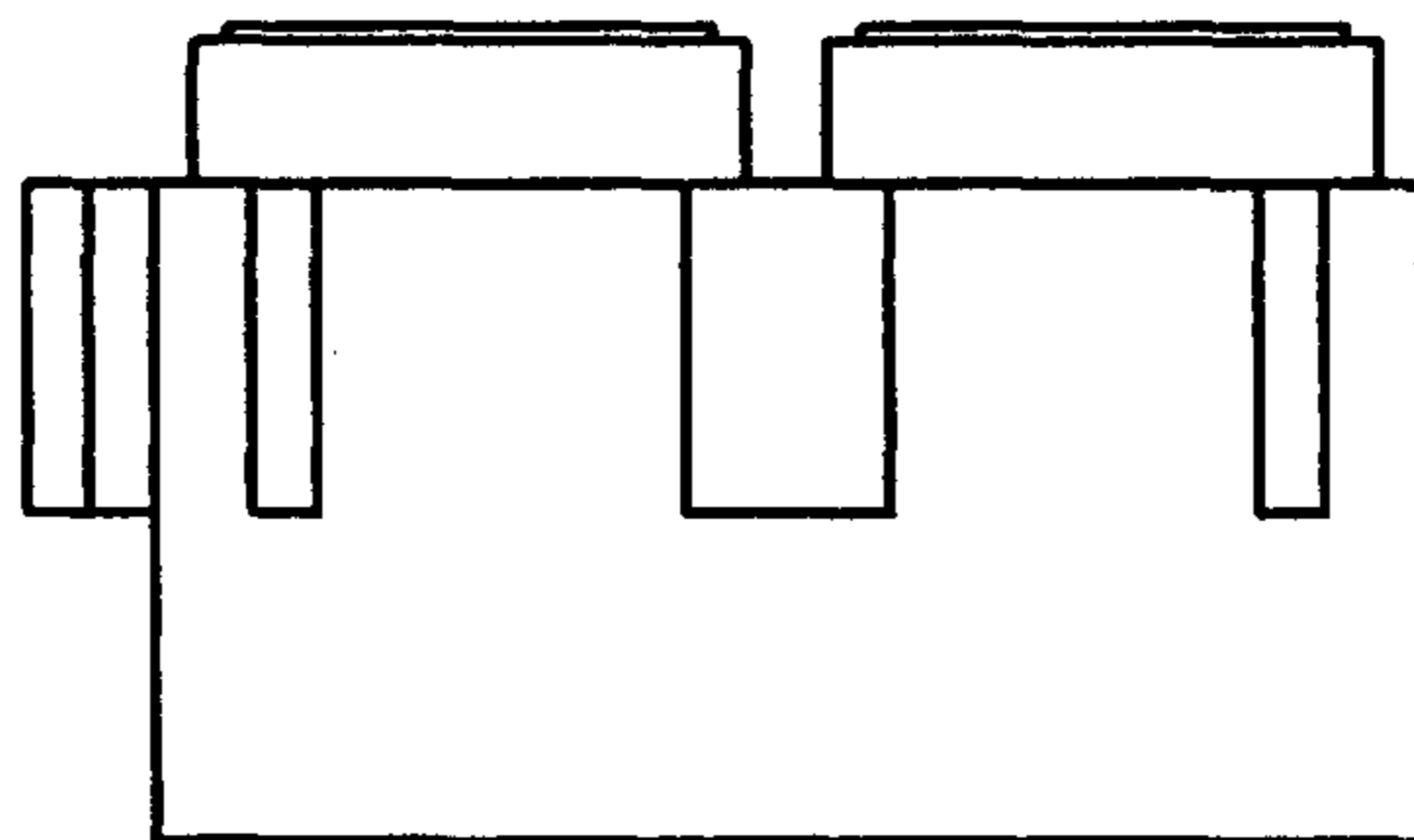


Fig 18

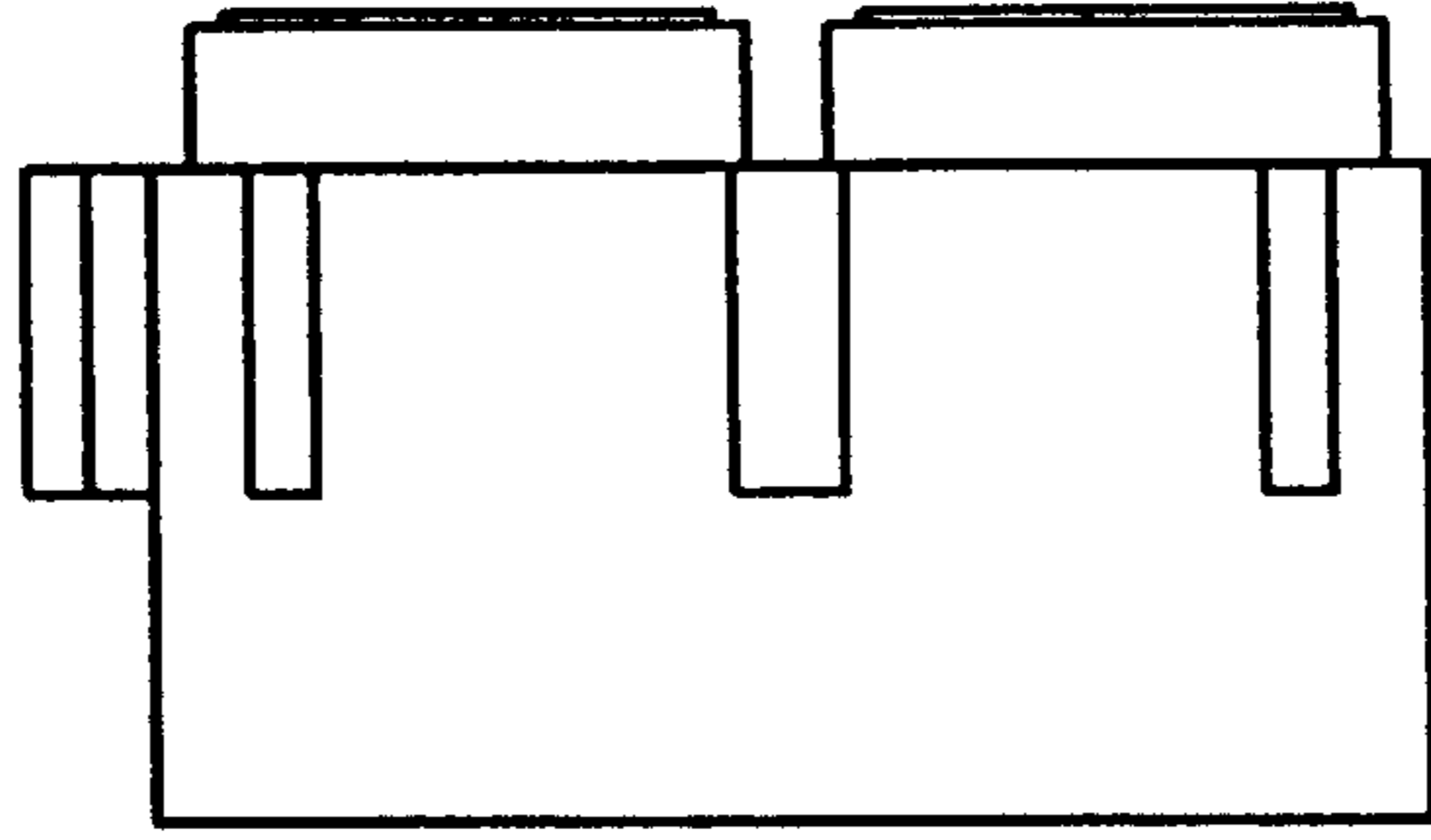


Fig 19

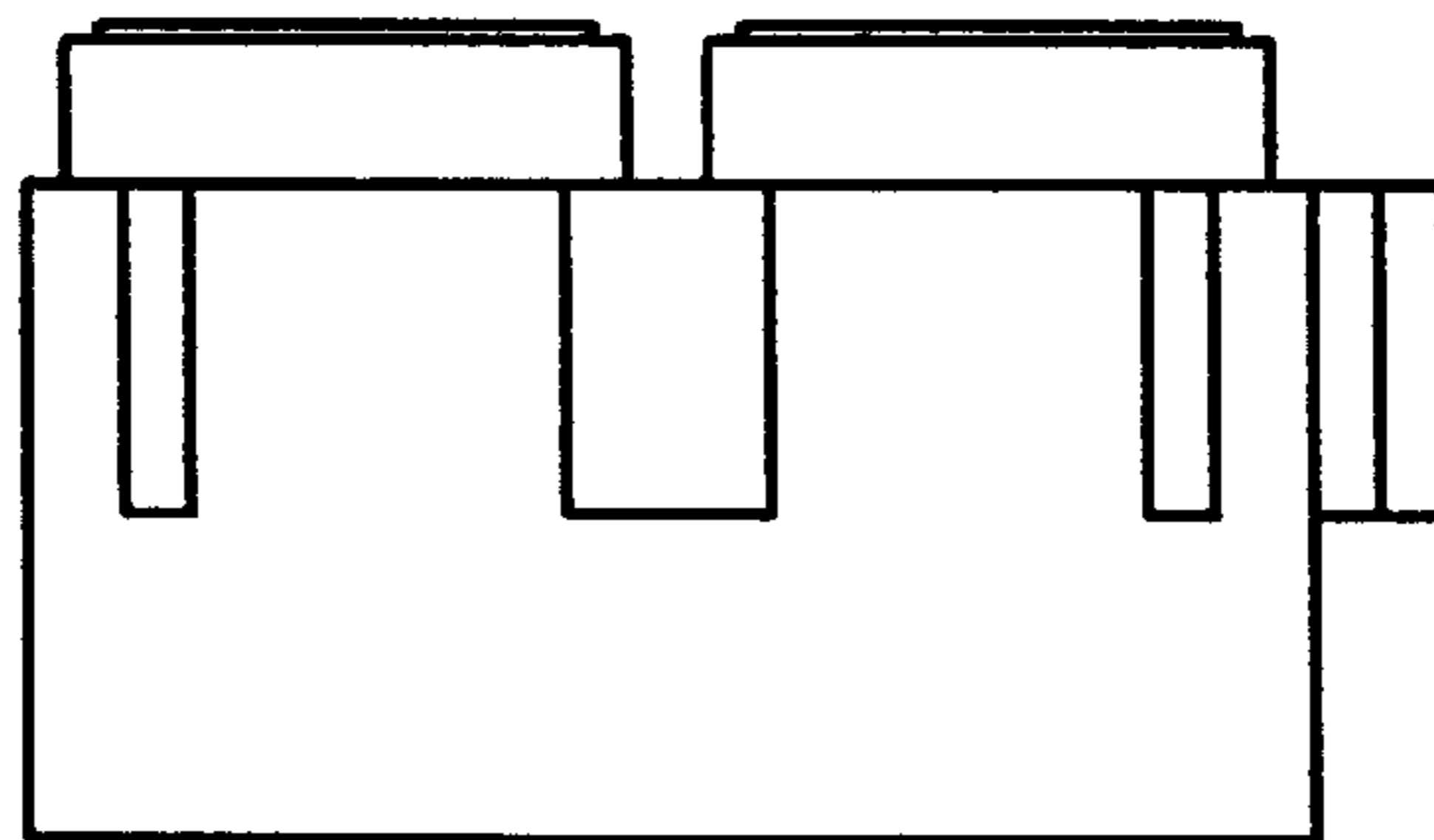


Fig 20