



US00D445144S

(12) **United States Design Patent**
Lin

(10) **Patent No.:** **US D445,144 S**

(45) **Date of Patent:** **** Jul. 17, 2001**

(54) **SCOOTER**

(76) **Inventor:** **Ta Hai Lin**, No. 89, Lane 465, Lian Tsuen Road, Feng Yuan (TW), 420

(**) **Term:** **14 Years**

(21) **Appl. No.:** **29/132,945**

(22) **Filed:** **Nov. 20, 2000**

(51) **LOC (7) Cl.** **21-01**

(52) **U.S. Cl.** **D21/423**

(58) **Field of Search** D21/419, 421, D21/423, 424, 426, 435, 533, 760, 765, 771; D12/107, 110-112, 117; 280/87.01, 87.021, 87.041, 87.042; 180/181, 216

(56) **References Cited**

U.S. PATENT DOCUMENTS

- D. 149,730 * 5/1948 Bancroft D21/423
- D. 326,290 * 5/1992 Badsey D21/423
- D. 414,220 * 9/1999 Catto D21/423

- D. 433,654 * 11/2000 Gorvine et al. D12/107
- D. 433,718 * 11/2000 McGreen D21/423
- 4,799,701 * 1/1989 Lindau 280/87.041

* cited by examiner

Primary Examiner—Raphael Barkai

(74) *Attorney, Agent, or Firm*—Charles E. Baxley, Esq.

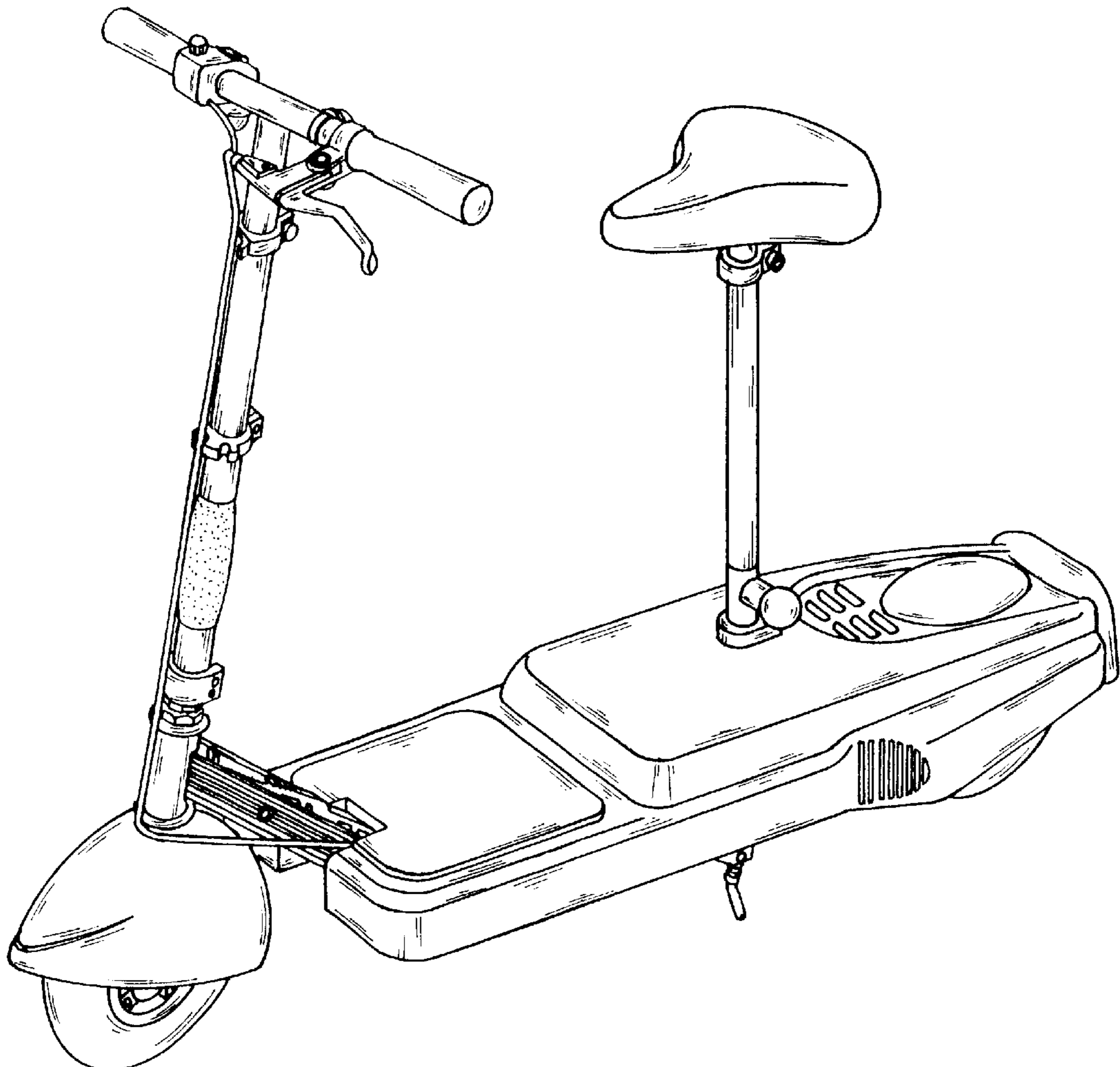
(57) **CLAIM**

The ornamental design for a scooter, as shown and described.

DESCRIPTION

FIG. 1 is a perspective view of a scooter showing my new design;
 FIG. 2 is a front elevational view thereof;
 FIG. 3 is a rear elevational view thereof;
 FIG. 4 is a top plan view thereof;
 FIG. 5 is a bottom plan view thereof;
 FIG. 6 is a left side elevational view thereof; and,
 FIG. 7 is a right side elevational view thereof.

1 Claim, 6 Drawing Sheets



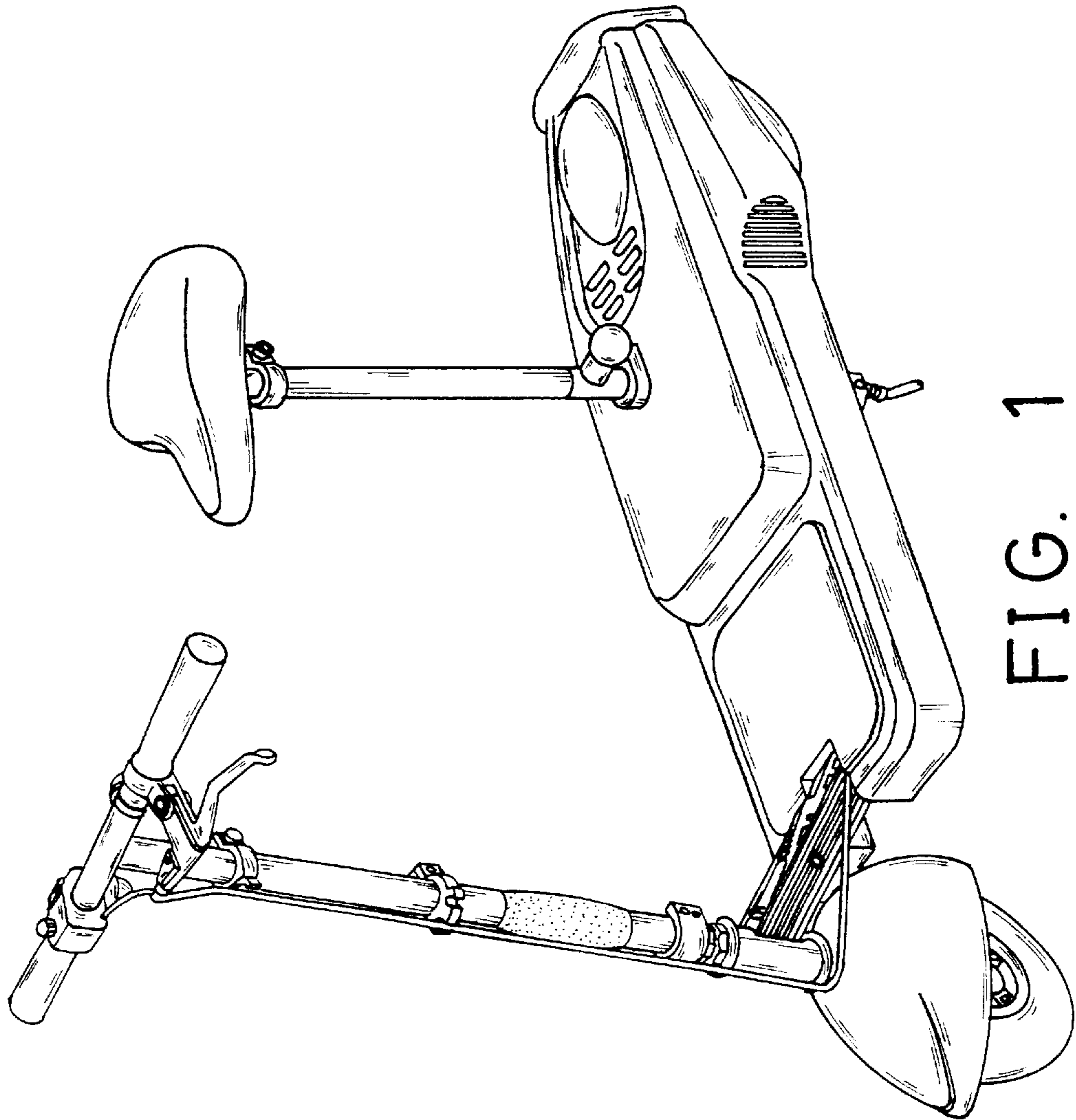


FIG. 1

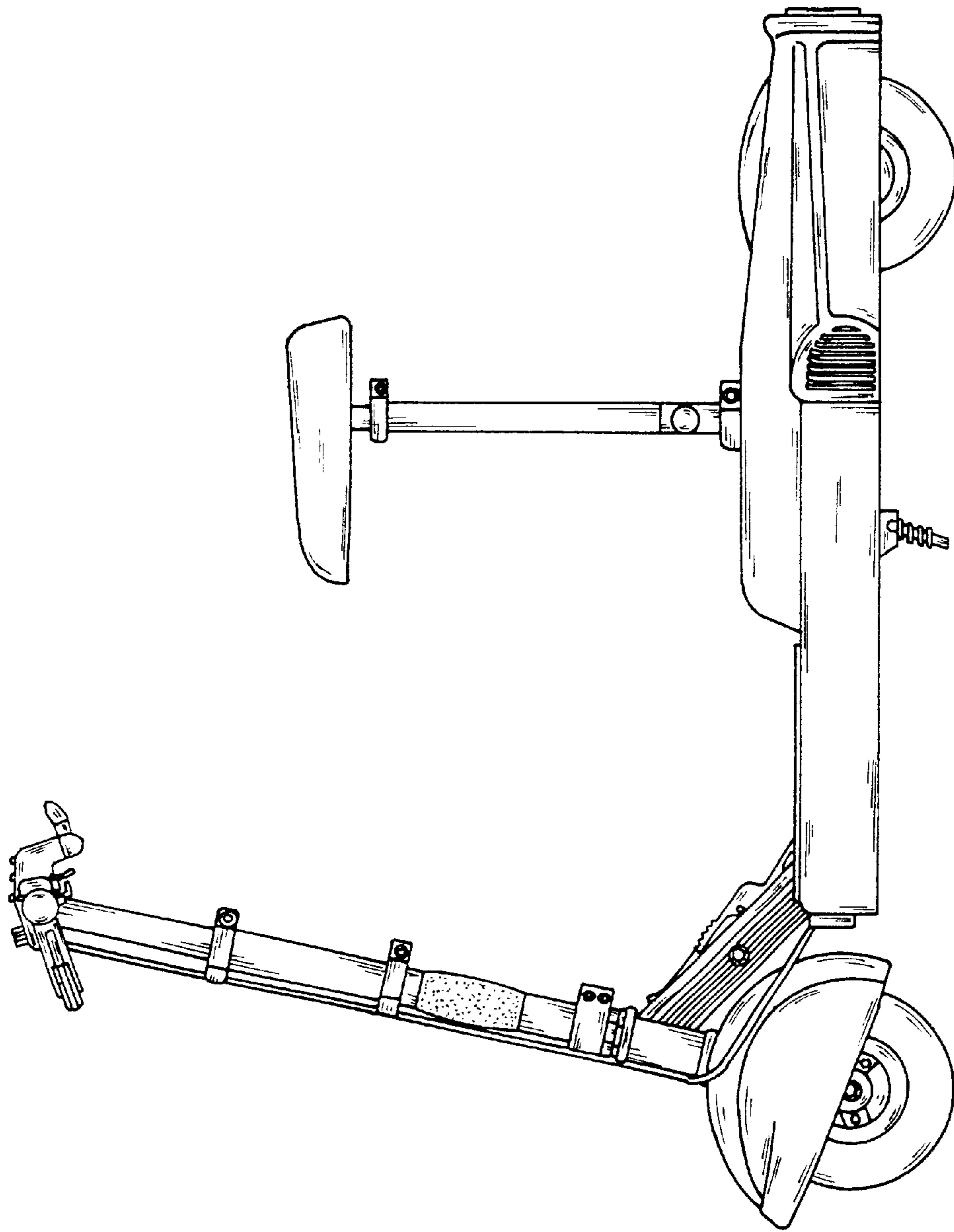


FIG. 2

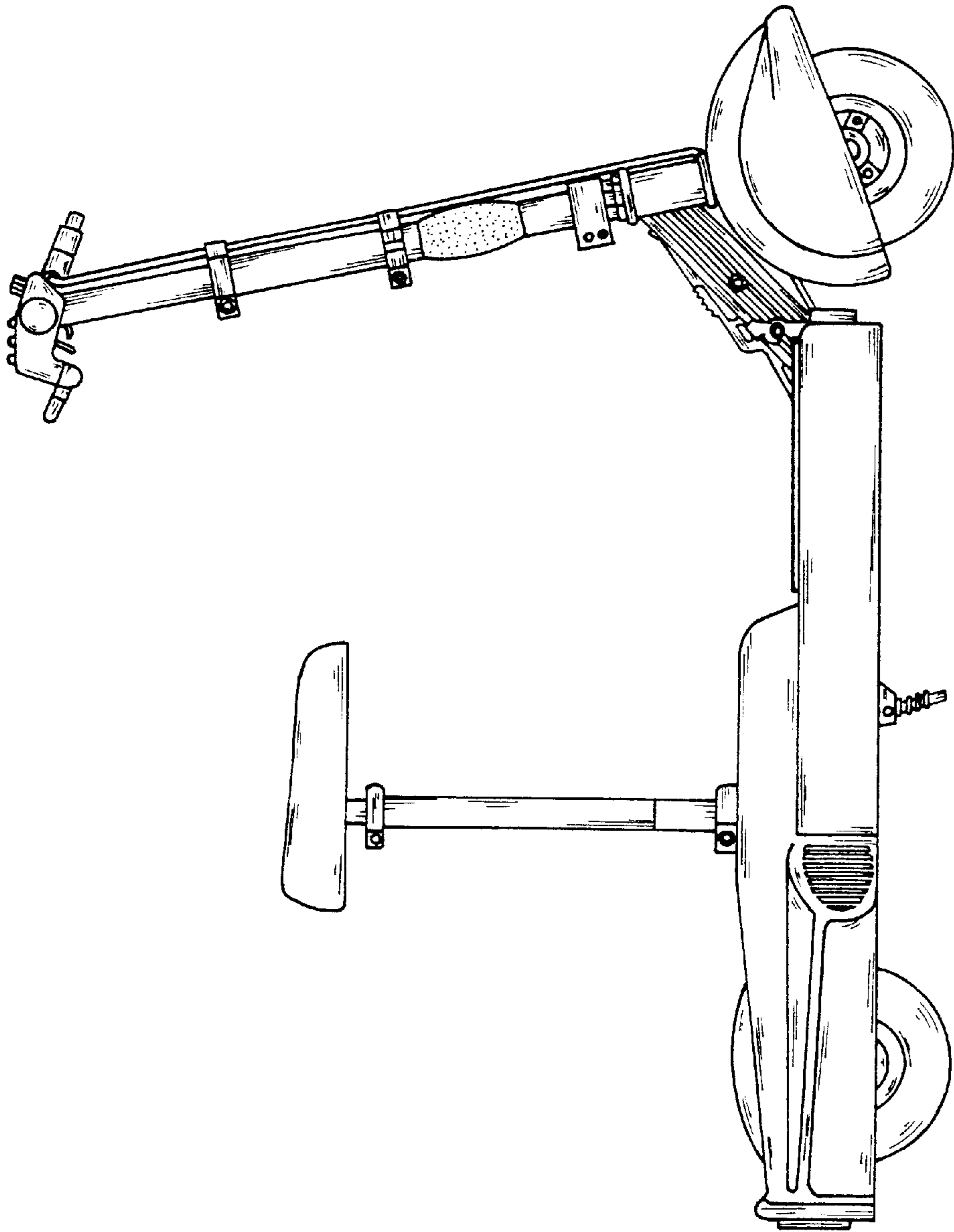


FIG. 3

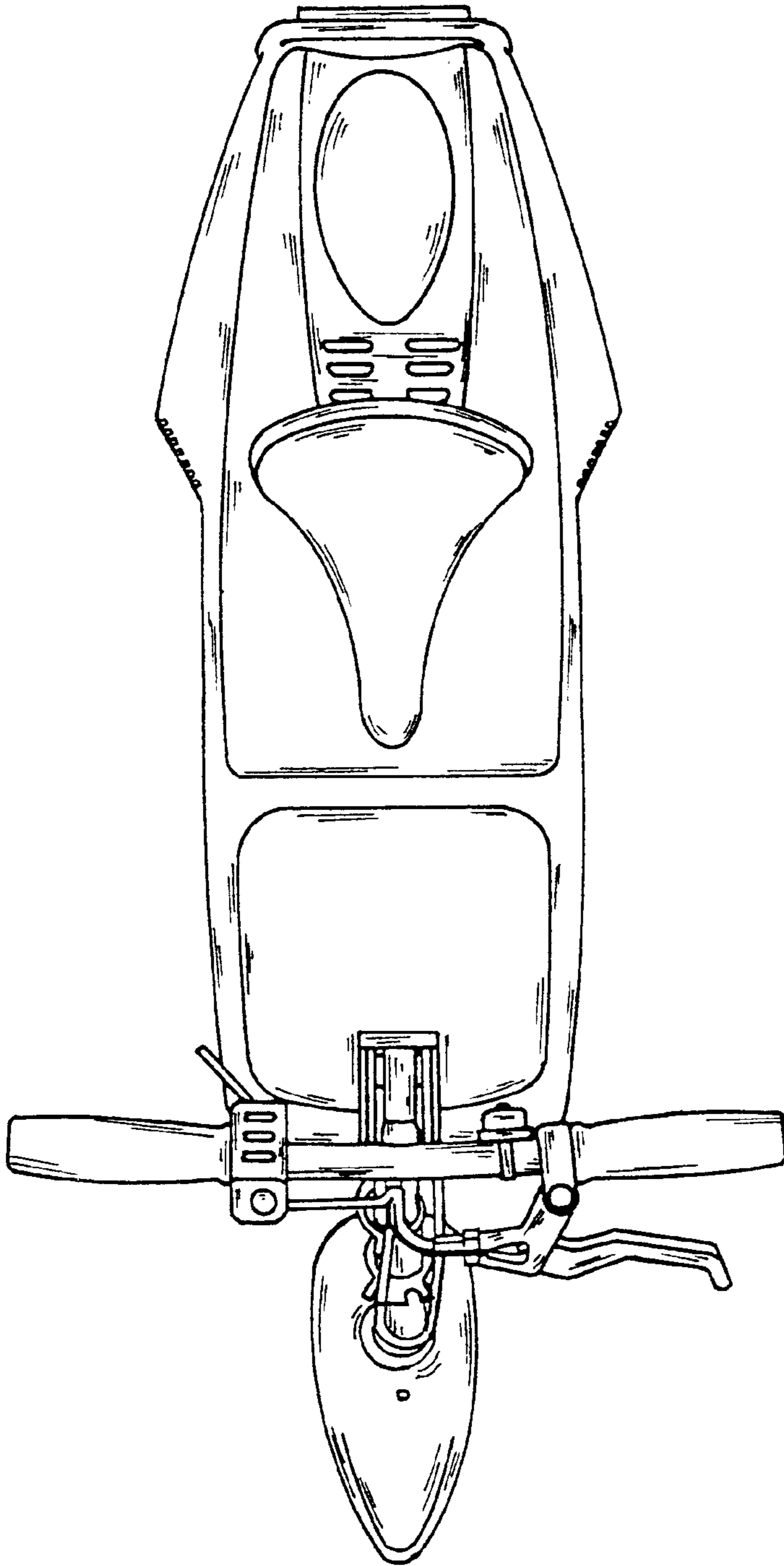


FIG. 4

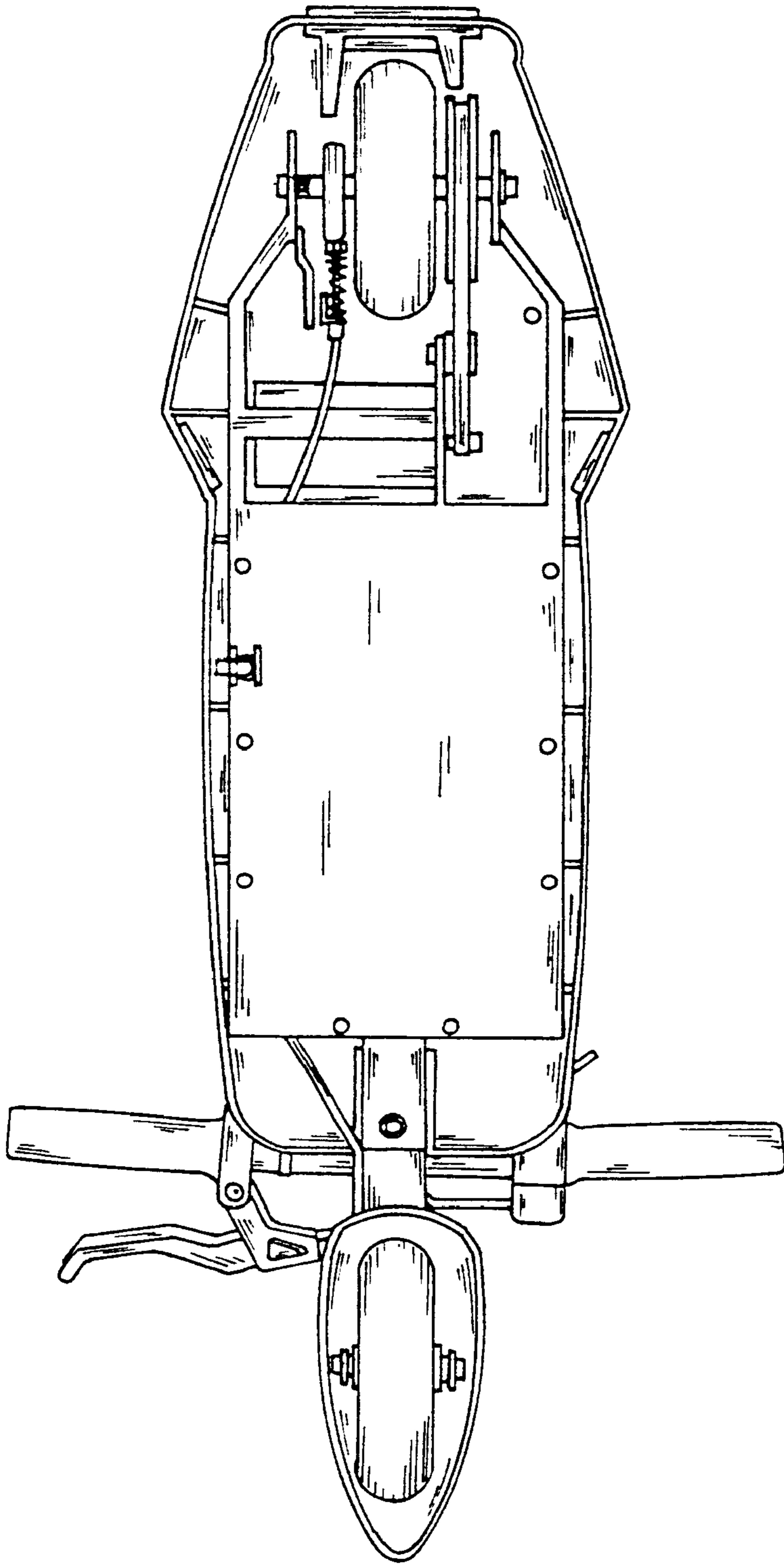


FIG. 5

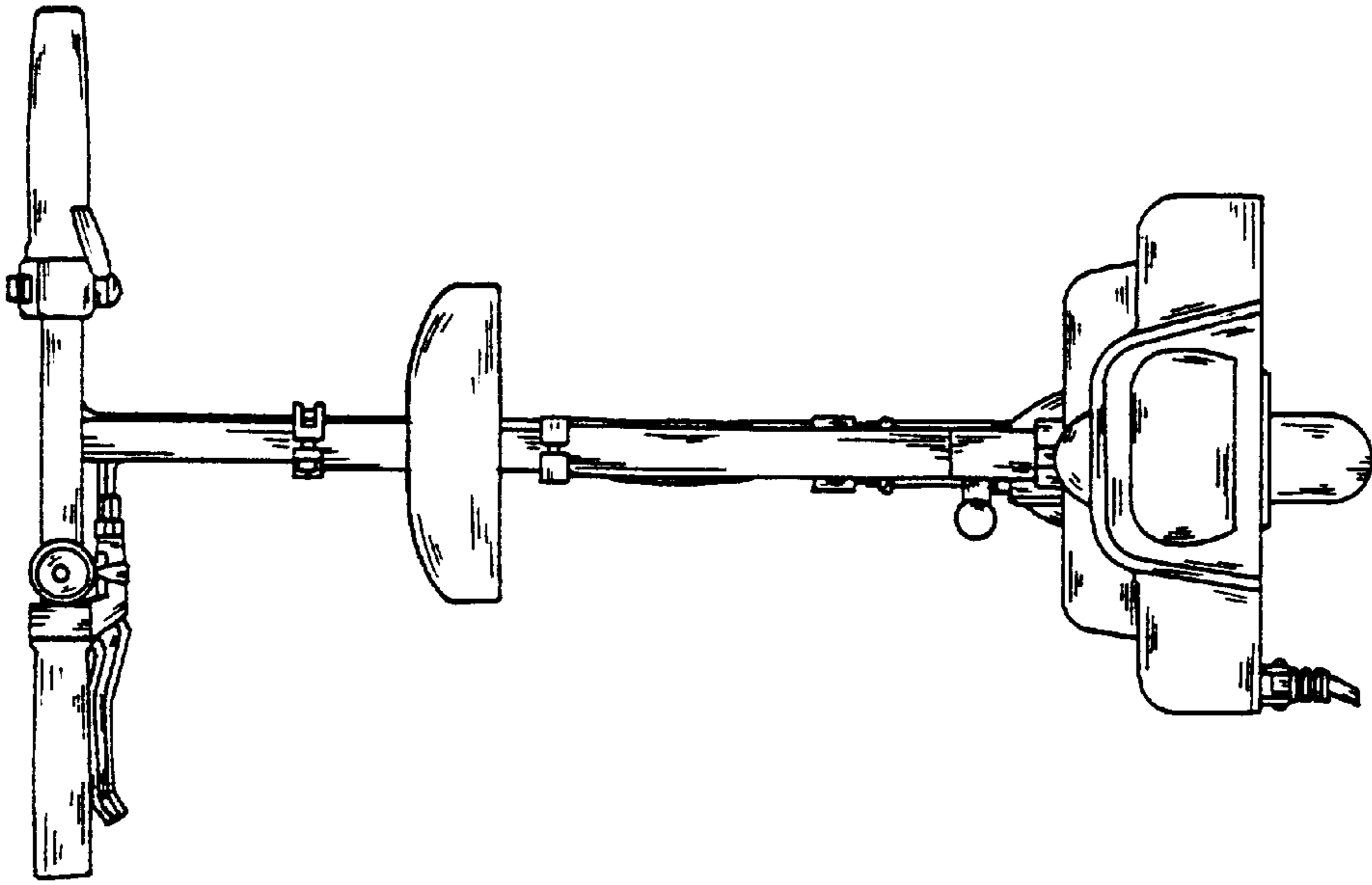


FIG. 7

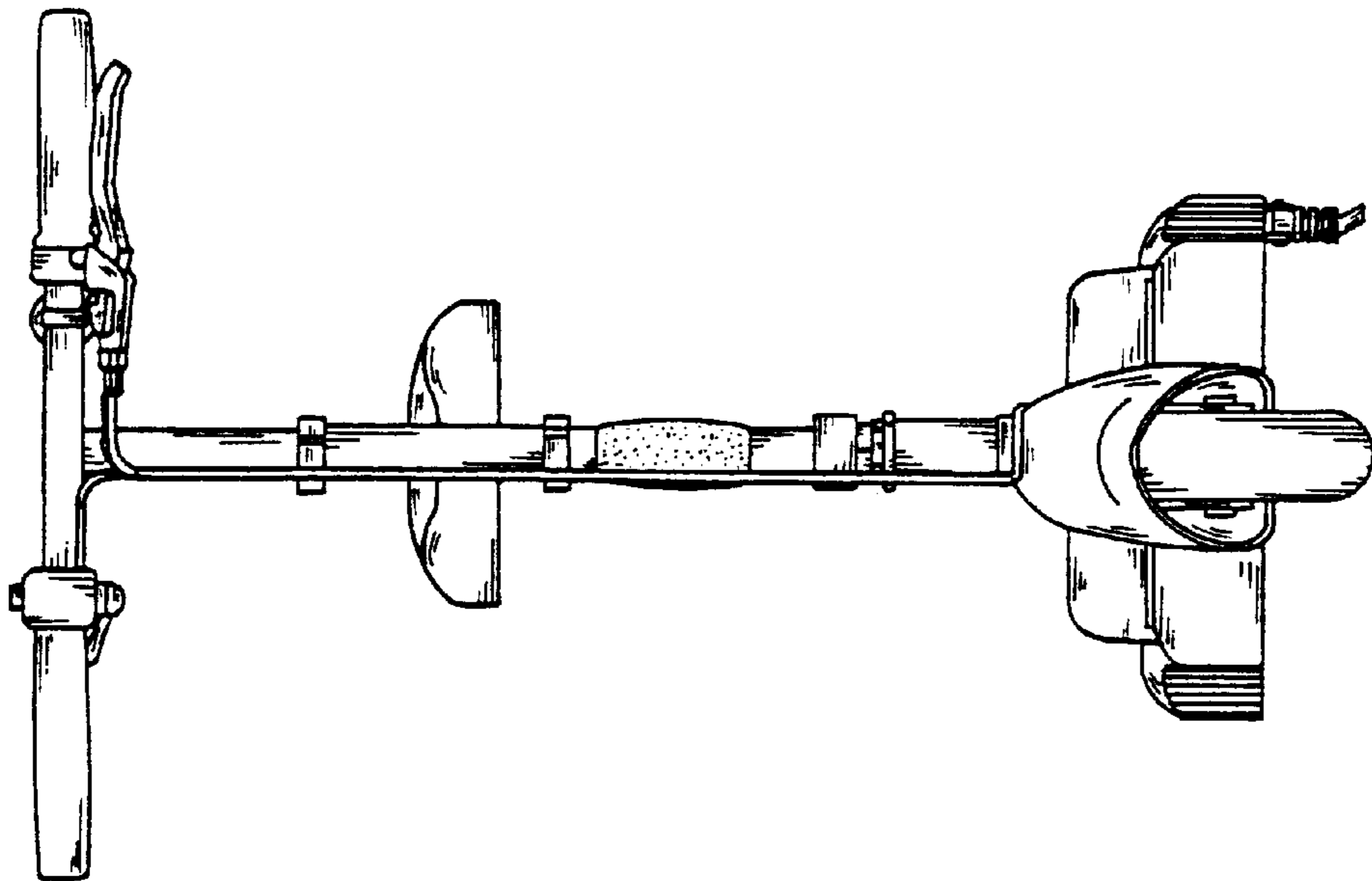


FIG. 6