



US00D445143S

(12) **United States Design Patent**  
**Bellows**

(10) **Patent No.:** **US D445,143 S**

(45) **Date of Patent:** **\*\* Jul. 17, 2001**

(54) **TRAY FOR A BABY WALKER**

4,822,030 \* 4/1989 Cone ..... 280/87.051  
5,203,581 \* 4/1993 Jankowski ..... 280/87.051

(75) Inventor: **William B. Bellows**, Wyomissing, PA (US)

\* cited by examiner

(73) Assignee: **Graco Children's Products Inc.**, Elverson, PA (US)

*Primary Examiner*—Raphael Barkai  
(74) *Attorney, Agent, or Firm*—Foley & Lardner

(\*\*) Term: **14 Years**

(57) **CLAIM**

(21) Appl. No.: **29/130,445**

The ornamental design for a tray for a baby walker, as shown and described.

(22) Filed: **Oct. 3, 2000**

**DESCRIPTION**

(51) **LOC (7) Cl.** ..... **21-01**

(52) **U.S. Cl.** ..... **D21/419; D12/130; D12/133**

(58) **Field of Search** ..... D21/419, 424, D21/435; D12/130, 133; D6/511; 280/87.051, 87.01, 647, 648

FIG. 1 is a front, top, and right side perspective view showing the tray for a baby walker of my new design; FIG. 2 is a top plan view thereof; FIG. 3 is a front elevational view thereof; FIG. 4 is a rear elevational view thereof; and, FIG. 5 is a right-side elevational view thereof, the left-side elevational view thereof being identical.

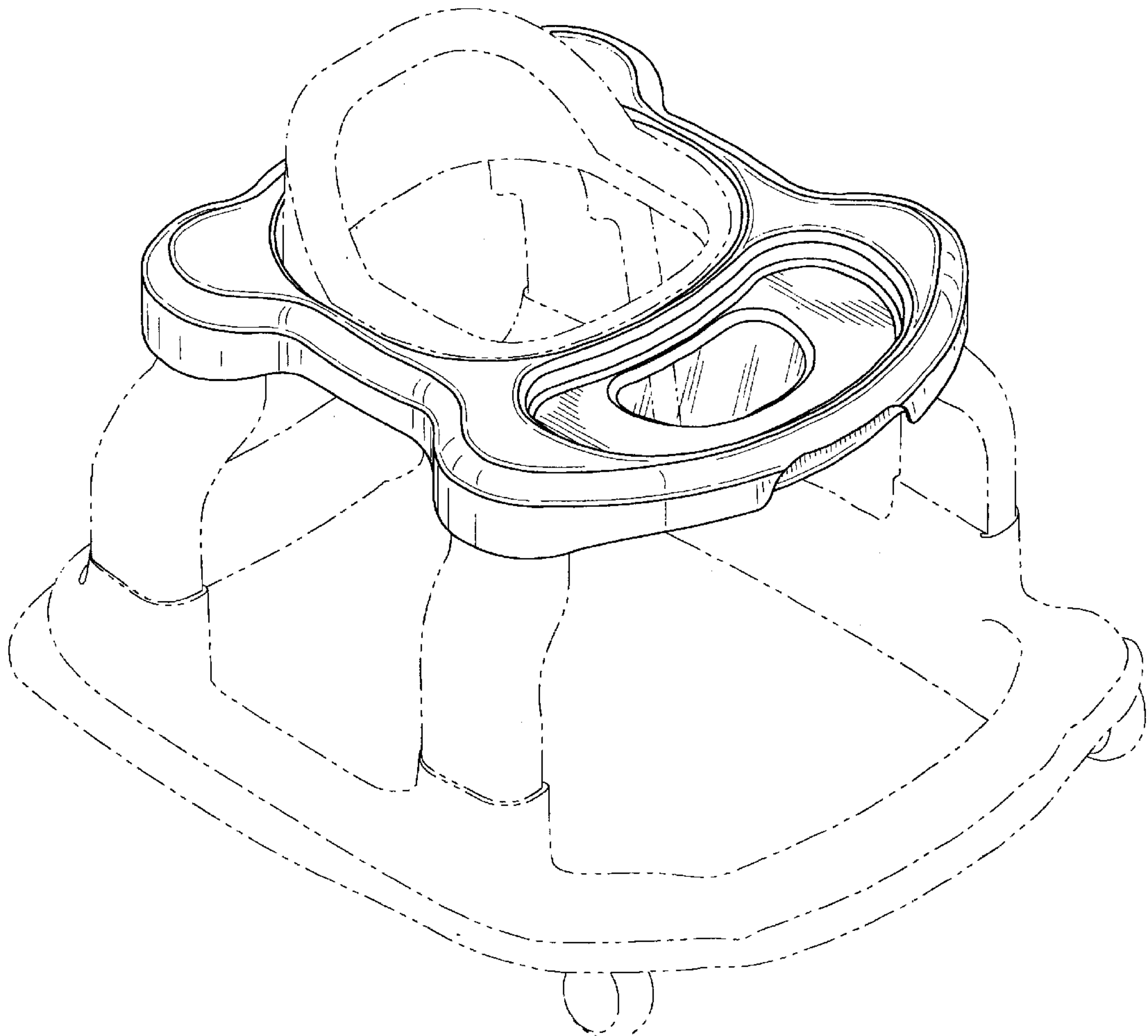
The broken lines show the environmental matter for illustrative purposes only and do not form part of the claimed design.

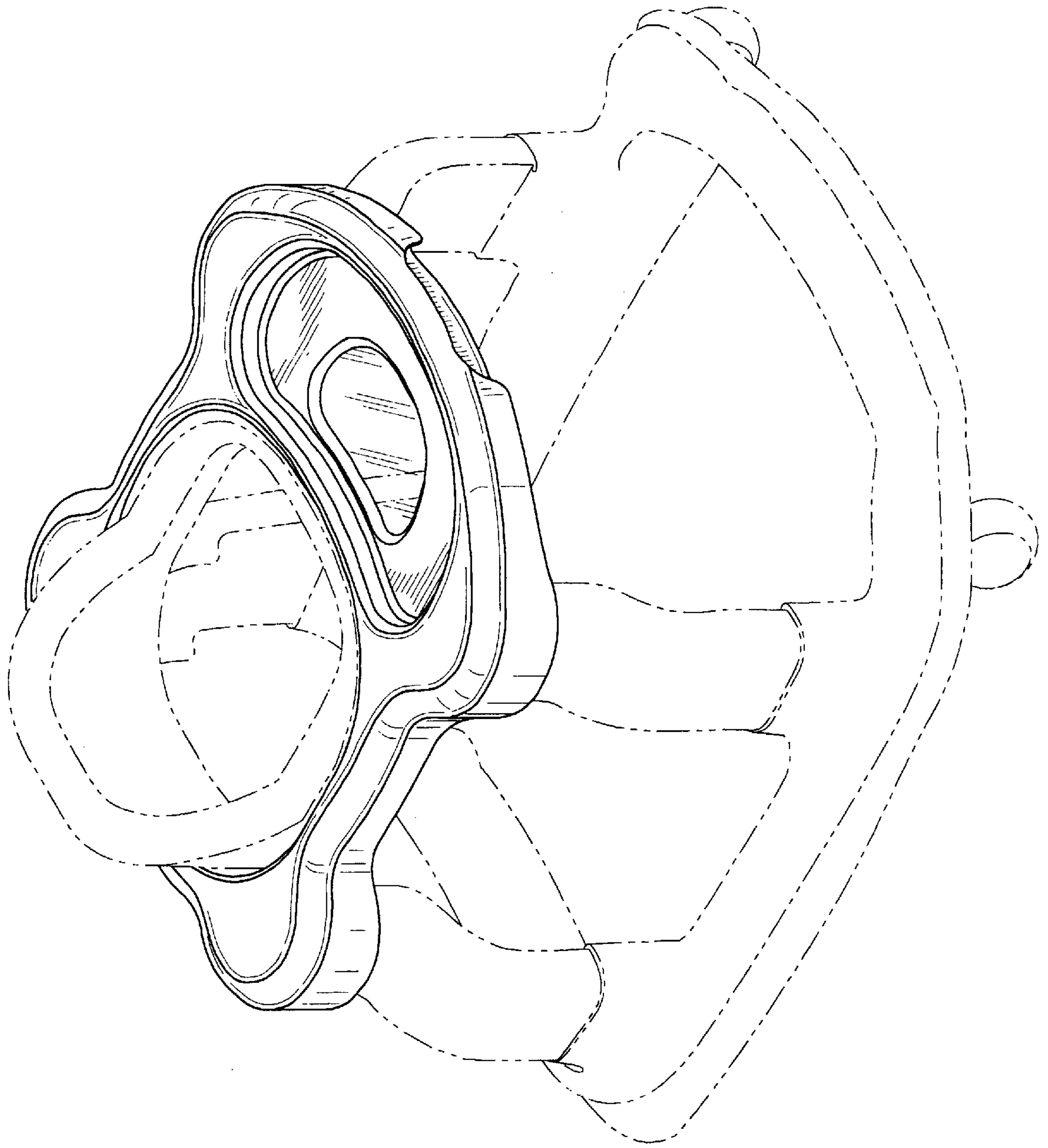
(56) **References Cited**

**U.S. PATENT DOCUMENTS**

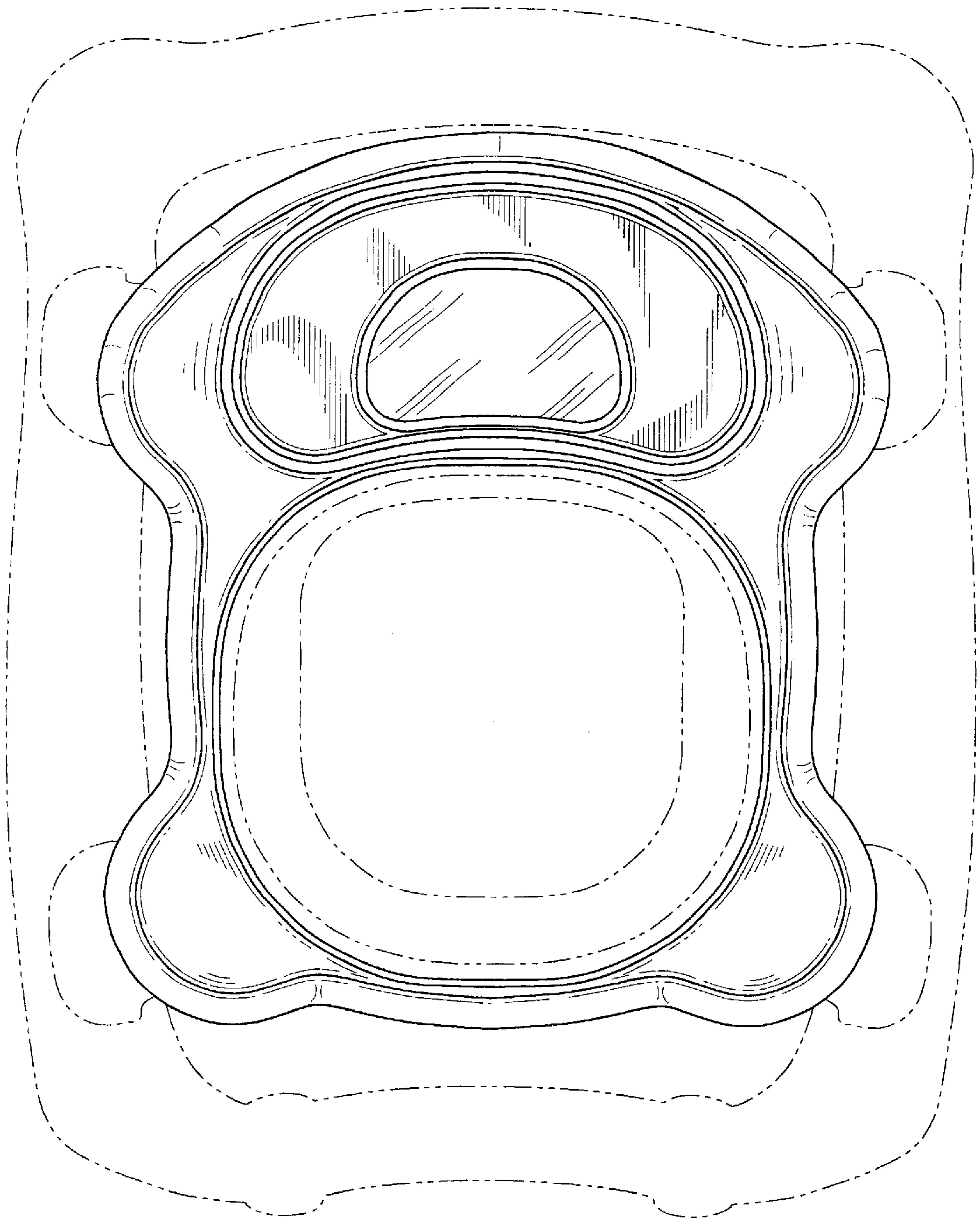
D. 301,440 \* 6/1989 Conley ..... D12/130  
D. 409,026 \* 5/1999 Rosko et al. .... D6/511  
1,469,436 \* 10/1923 Fornia ..... D21/419

**1 Claim, 5 Drawing Sheets**

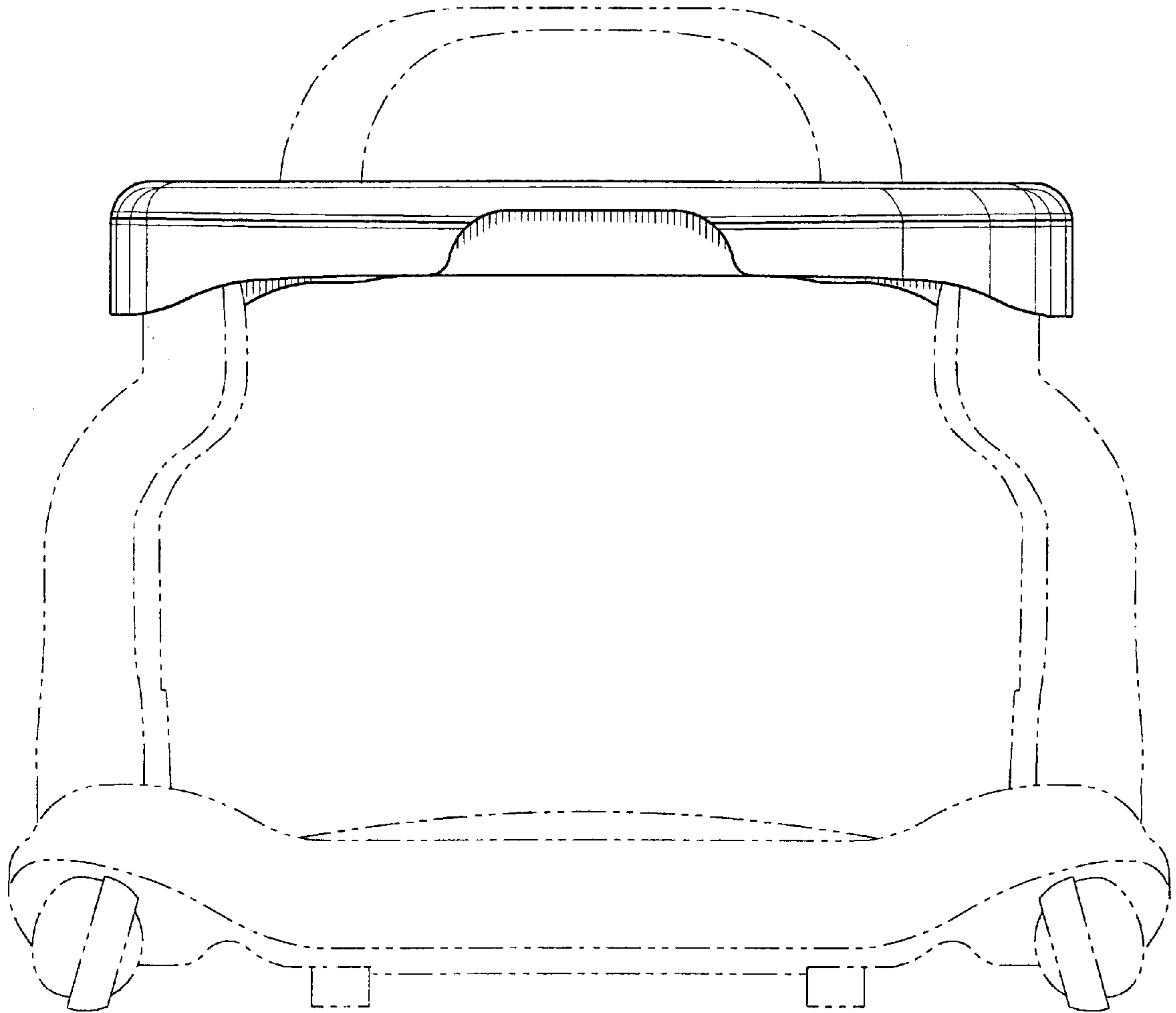




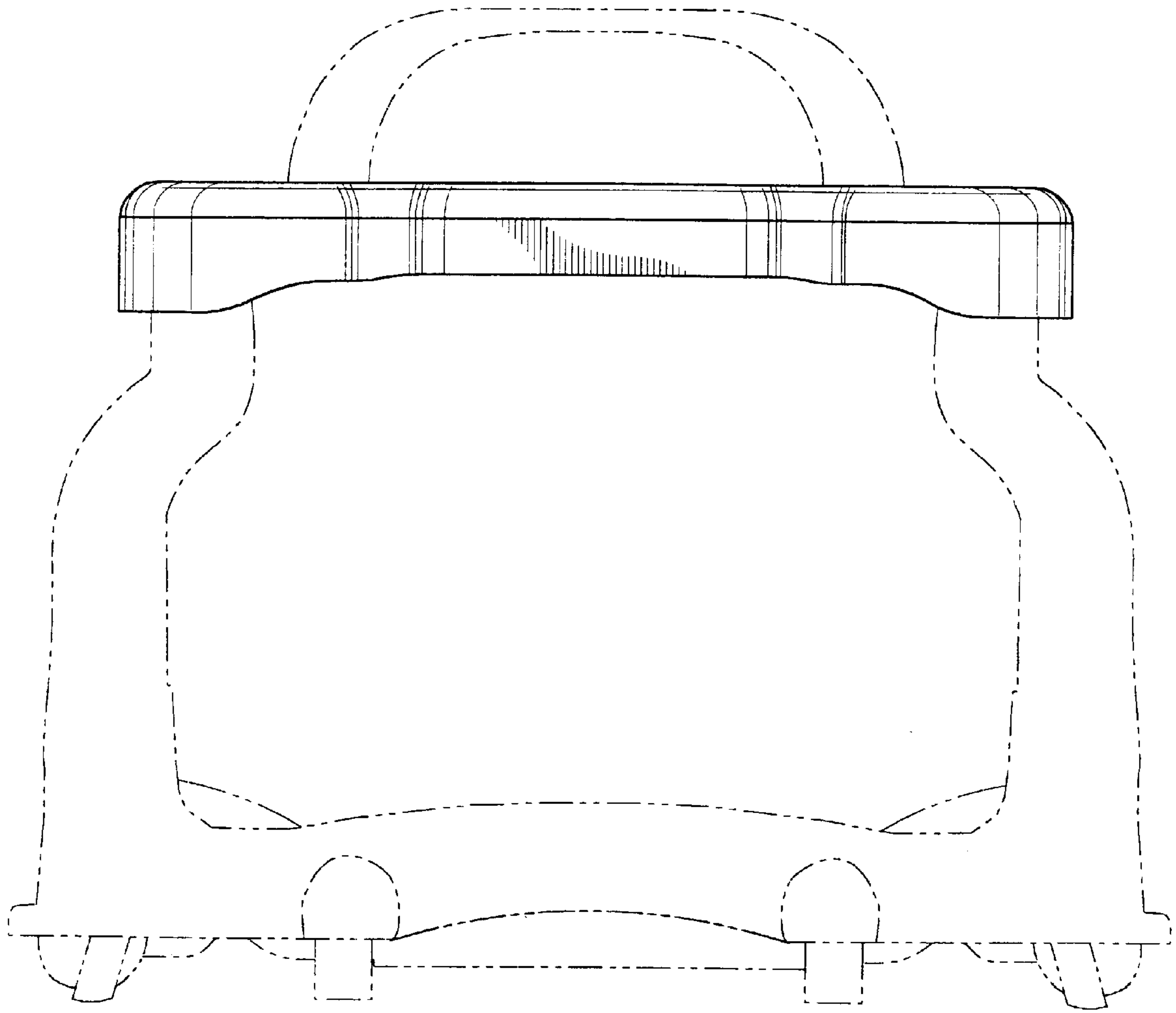
*Fig. 1*



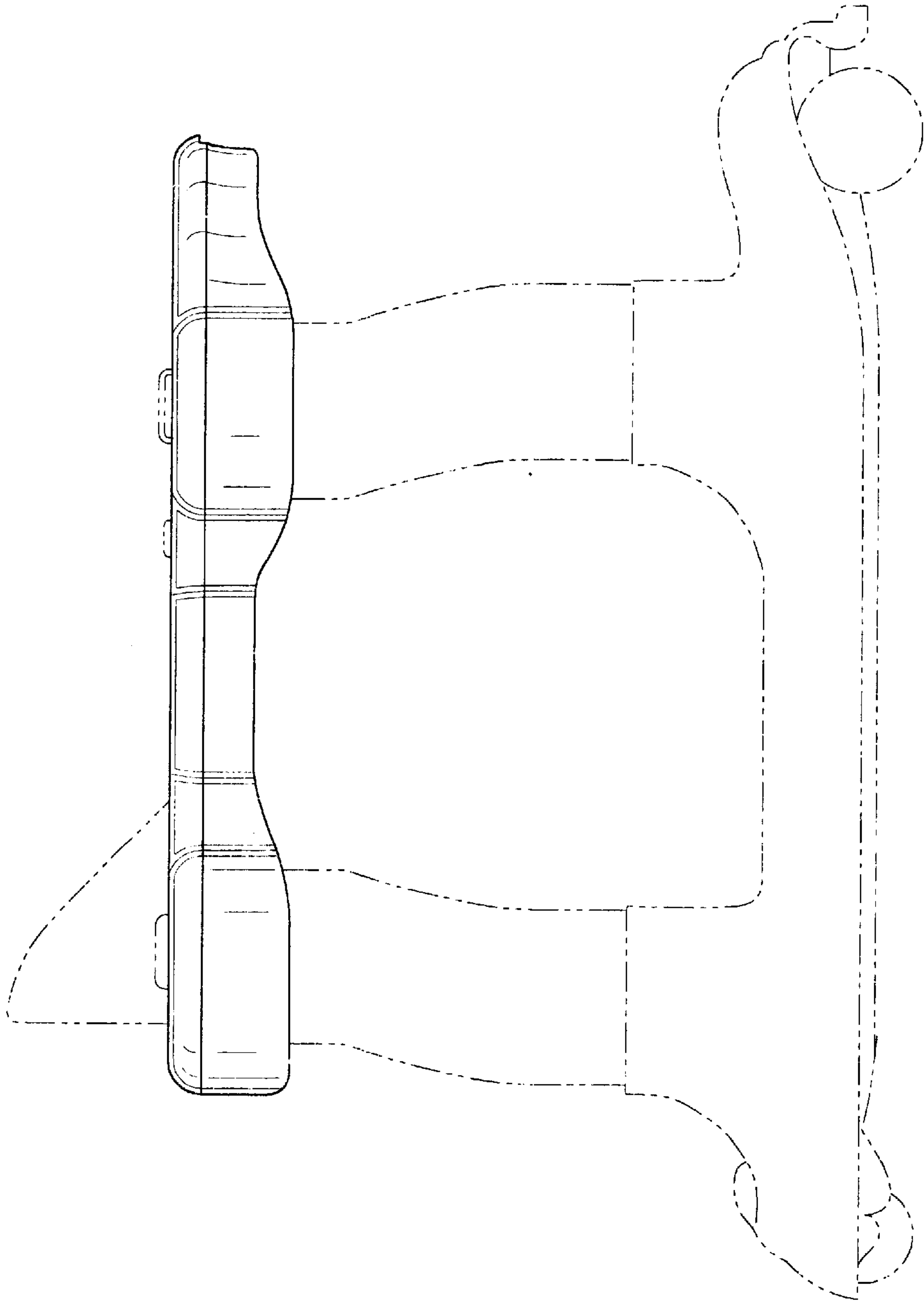
*Fig. 2*



*Fig. 3*



*Fig. 4*



*Fig. 5*