



US00D445141S

(12) **United States Design Patent**
Vigneron

(10) **Patent No.:** **US D445,141 S**

(45) **Date of Patent:** **** Jul. 17, 2001**

(54) **MODULAR GAME PIECE**

3,586,333 * 6/1971 Abney 273/288

(75) Inventor: **Bertrand Vigneron**, Cholet (FR)

* cited by examiner

(73) Assignee: **Wesco**, Cerizay (FR)

Primary Examiner—Sandra L. Morris

(**) Term: **14 Years**

(74) *Attorney, Agent, or Firm*—Nixon & Vanderhye PC;
Frank P. Presta

(21) Appl. No.: **29/119,277**

(57) **CLAIM**

(22) Filed: **Feb. 29, 2000**

The ornamental design for a modular game piece, as shown and described.

(30) **Foreign Application Priority Data**

DESCRIPTION

Jan. 3, 2000 (XH) DM/050286

(51) **LOC (7) Cl.** **21-01**

(52) **U.S. Cl.** **D21/386**

(58) **Field of Search** D21/334–368,
D21/385, 386, 388–391; 273/236–285,
288, 291; D6/355

FIG. 1 is a perspective view of the modular game piece of the present invention;
FIG. 2 is a top plan view of the modular game piece;
FIG. 3 is a perspective view of the modular game piece showing one side and the bottom thereof;
FIG. 4 is an elevational view of one end of the modular game piece, the other end being identical thereto;
FIG. 5 is an elevational view of one side of the modular game piece, the other side being identical thereto; and,
FIG. 6 is a bottom plan view of the modular game piece.

(56) **References Cited**

U.S. PATENT DOCUMENTS

D. 228,986 * 11/1973 Iskander D6/335
3,178,185 * 4/1965 Ardis 273/288

1 Claim, 4 Drawing Sheets

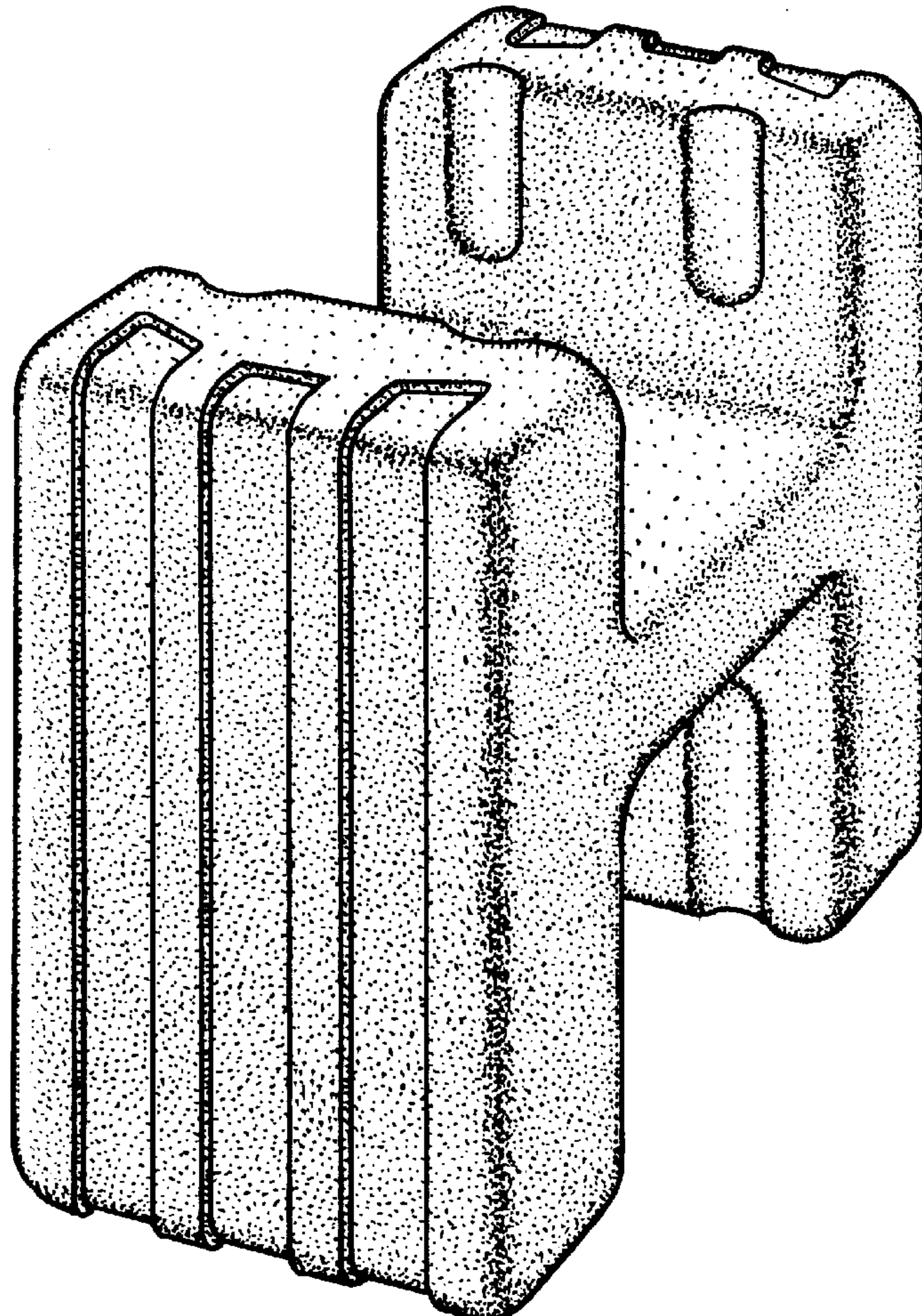


FIG. 1

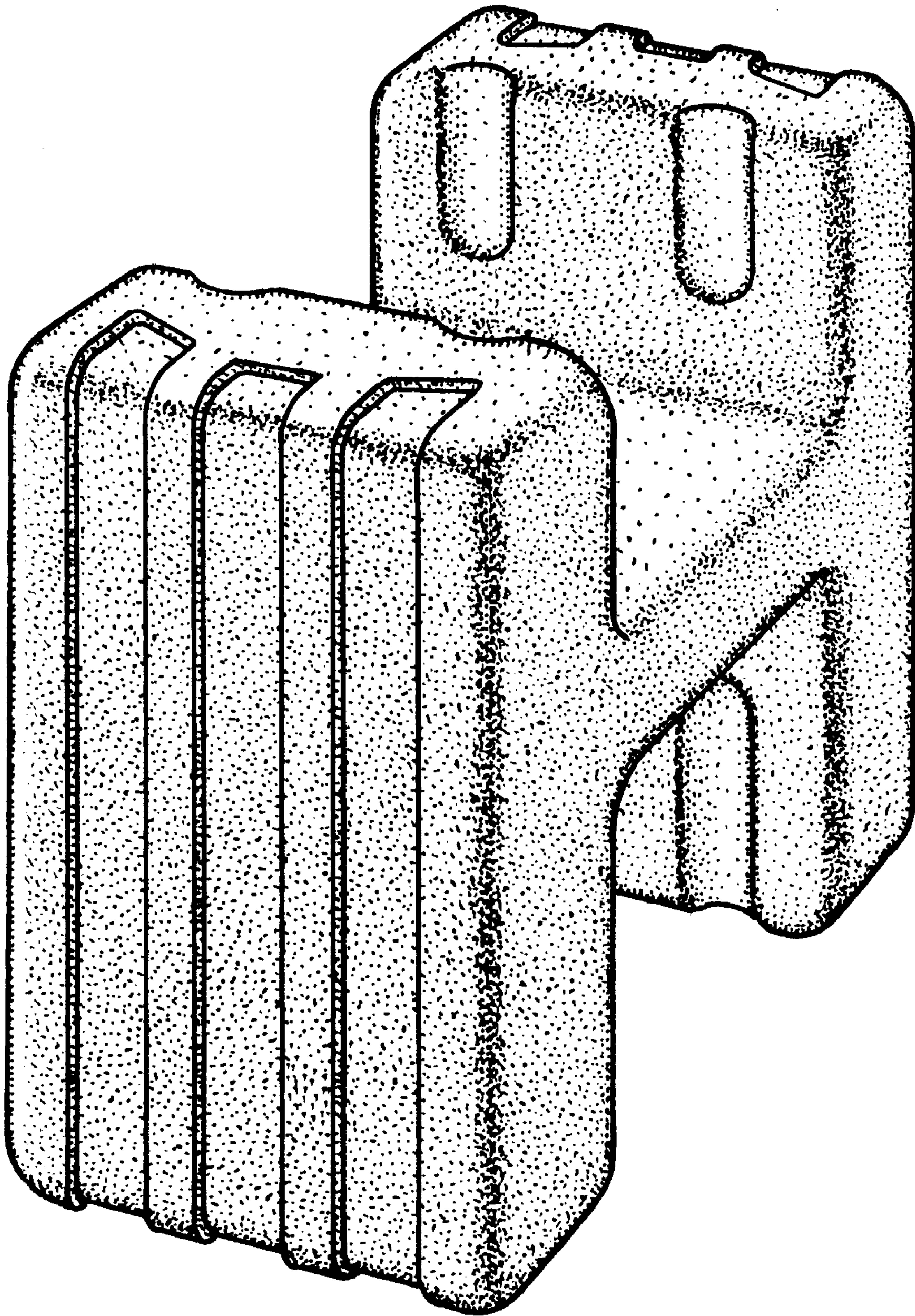


FIG. 2

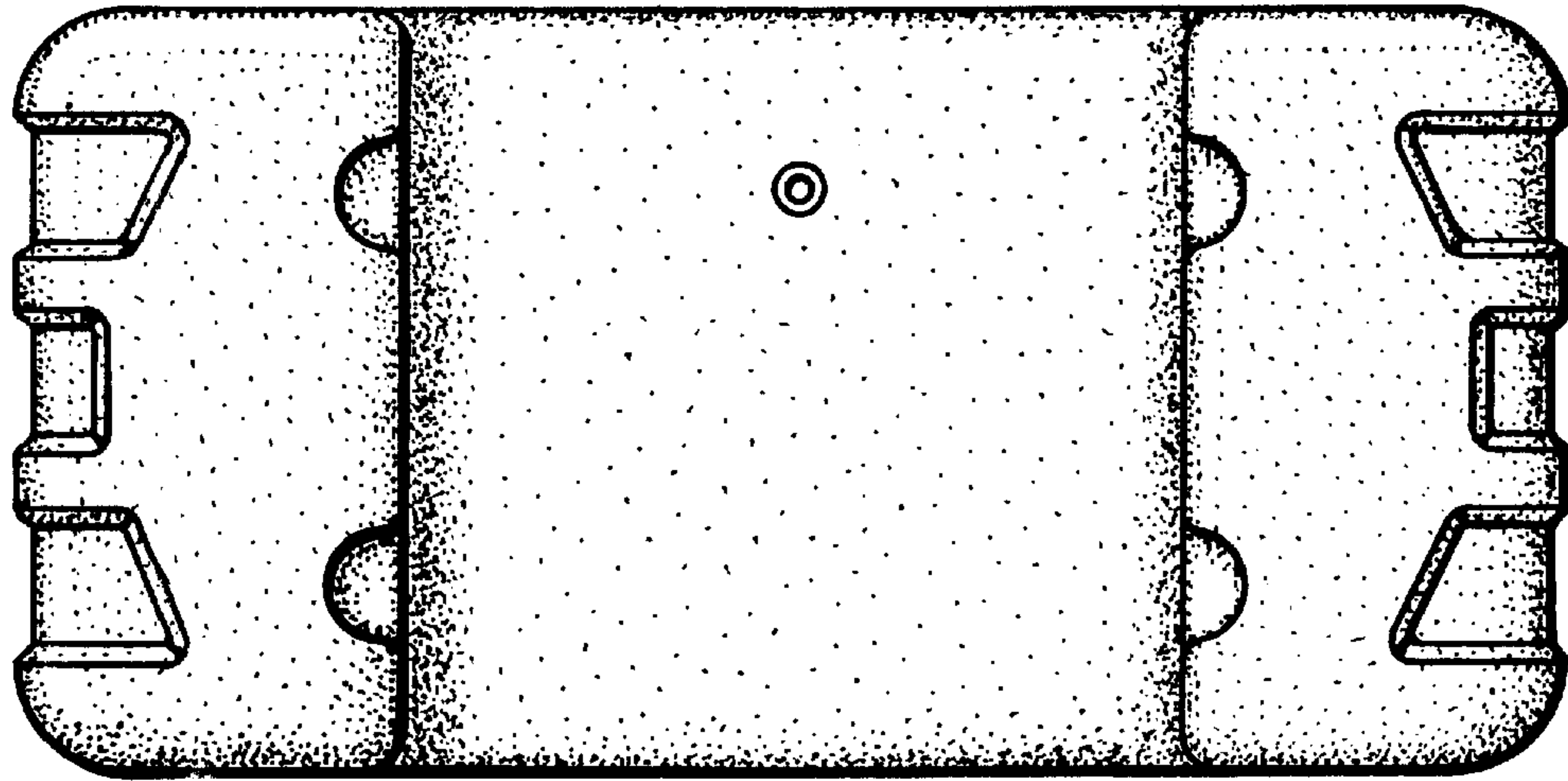


FIG. 3

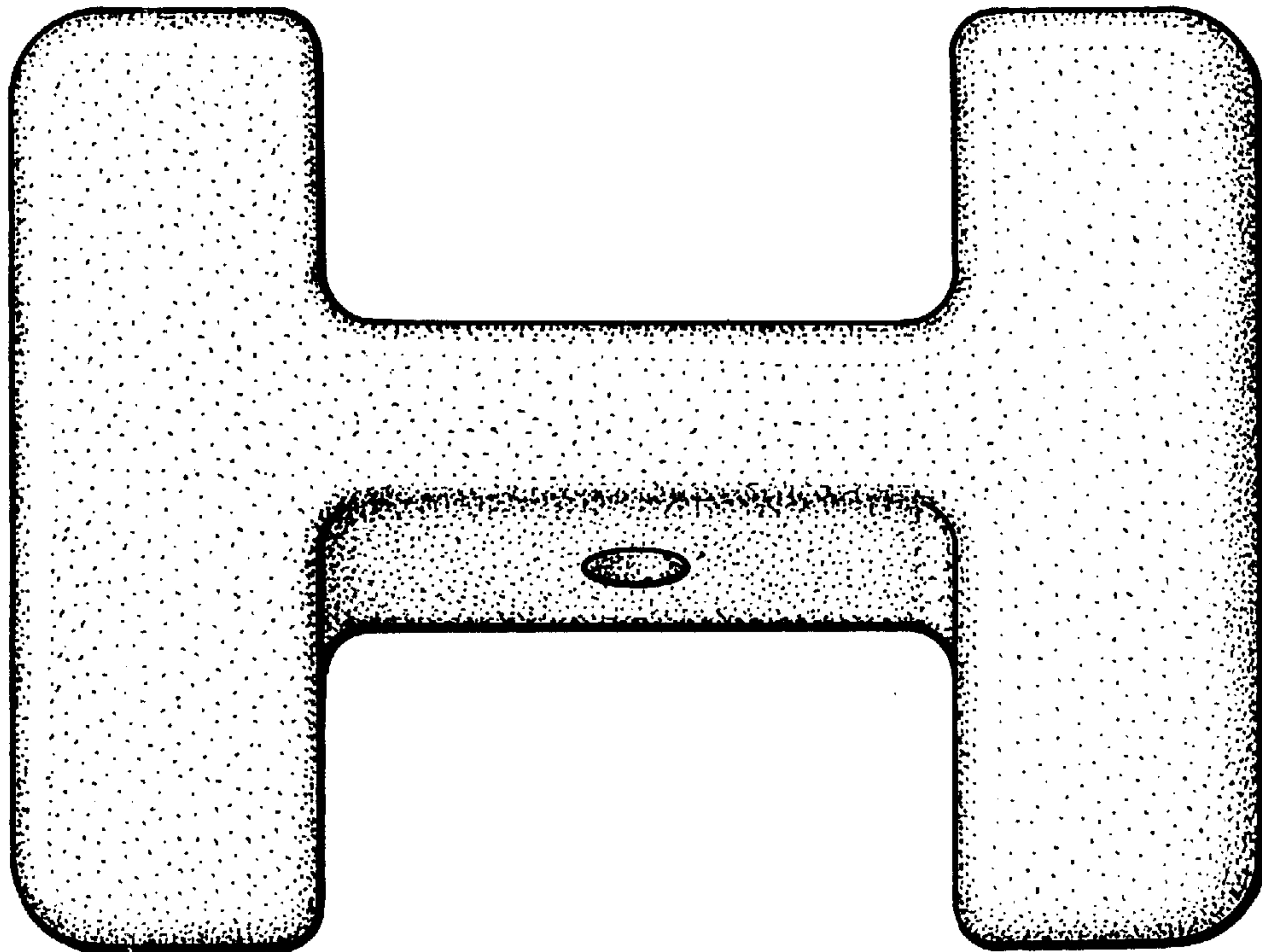


FIG. 5

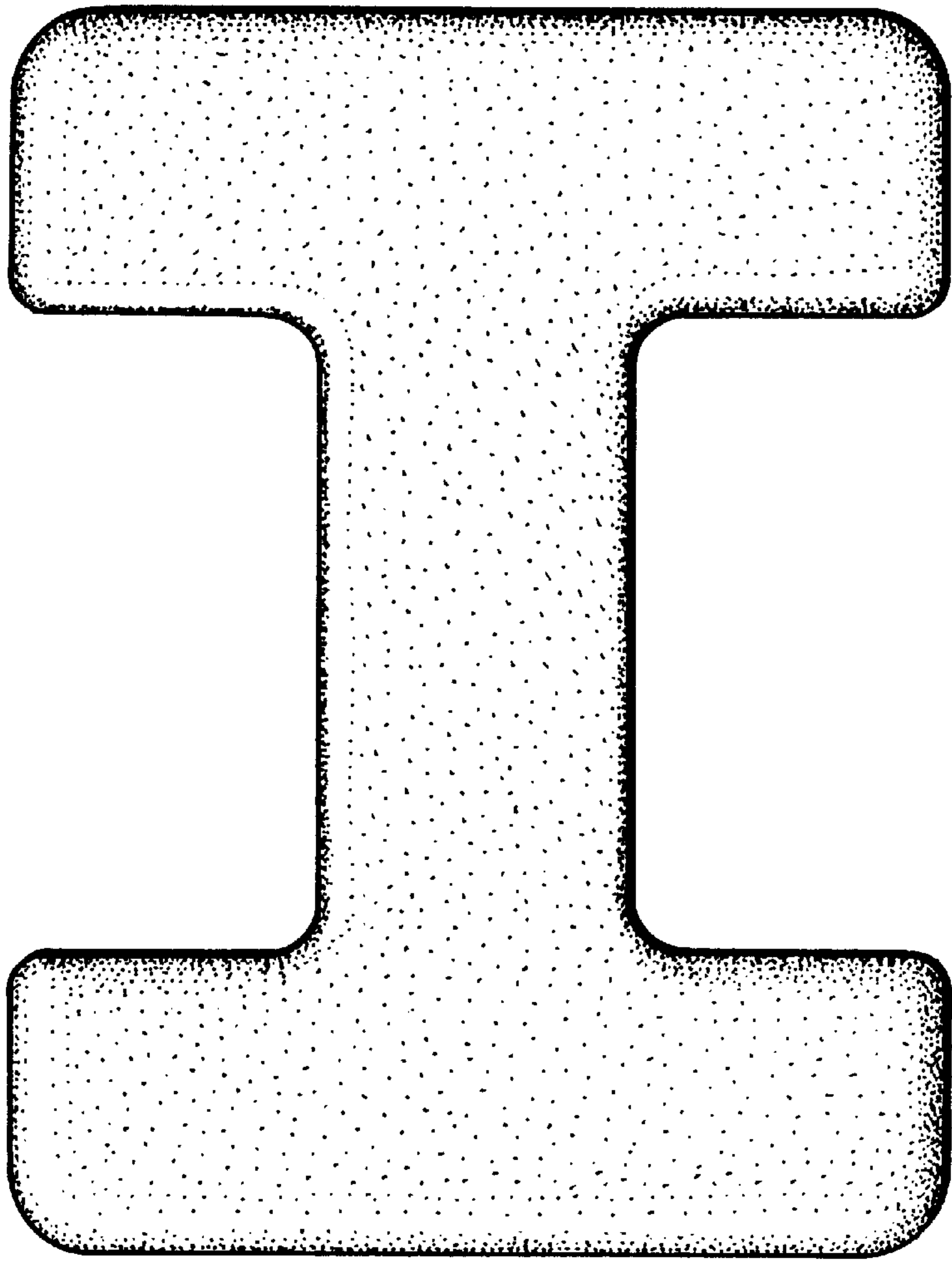


FIG. 4

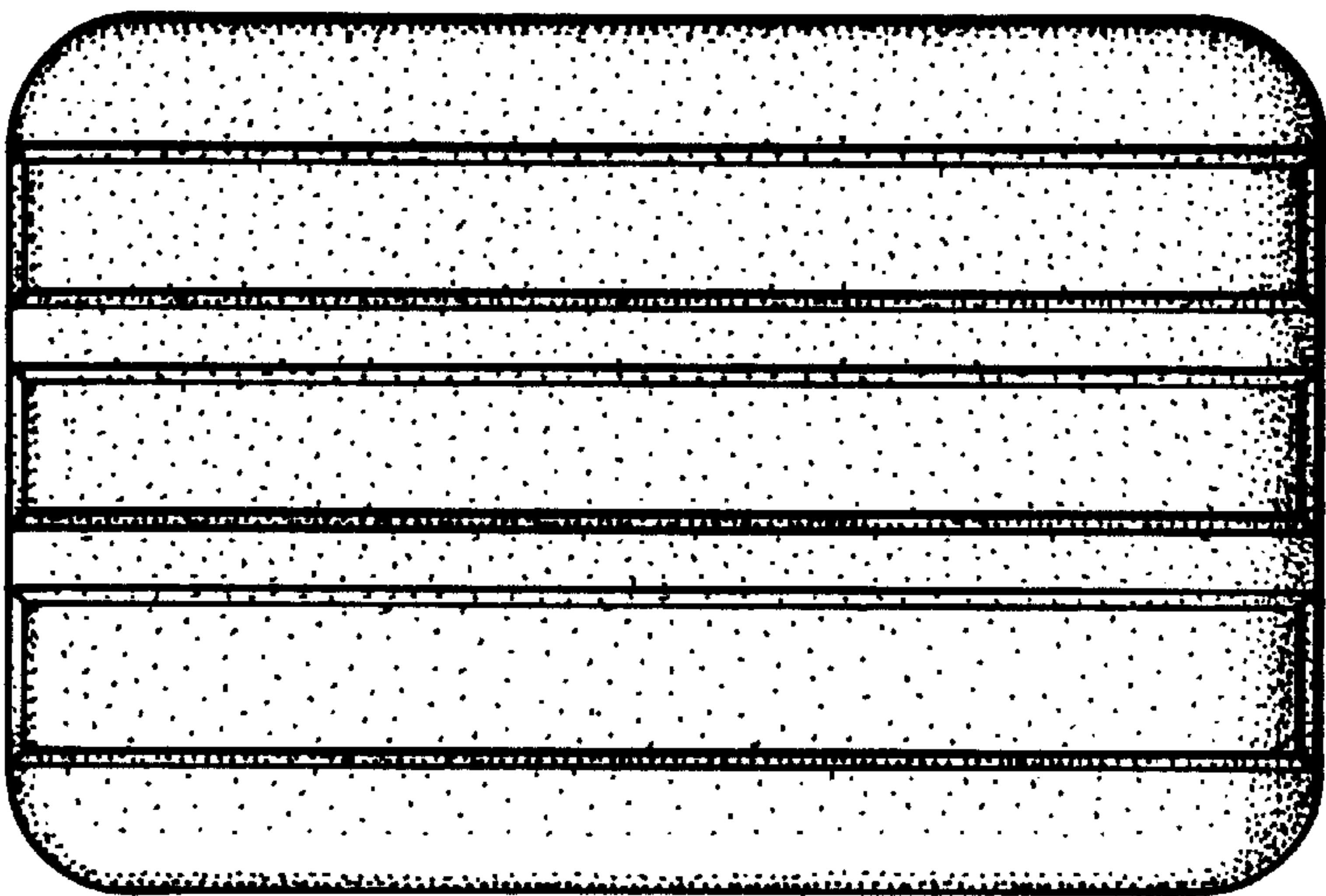


FIG. 6

