



US00D445135S

(12) **United States Design Patent**
Najmi

(10) **Patent No.:** **US D445,135 S**

(45) **Date of Patent:** **** Jul. 17, 2001**

(54) **MEMO CLIP**

(75) **Inventor:** **Boman K Najmi**, Crofton, MD (US)

(73) **Assignee:** **BHS International, Inc.**, Crofton, MD (US)

(**) **Term:** **14 Years**

(21) **Appl. No.:** **29/133,408**

(22) **Filed:** **Nov. 30, 2000**

(51) **LOC (7) Cl.** **19-02**

(52) **U.S. Cl.** **D19/86; D19/65; D8/395**

(58) **Field of Search** **D19/65, 75, 86, D19/88, 90, 91, 99, 100; D8/394, 395; 248/441.1, 442.2, 451, 452; 40/371; 281/45; 24/67 R, 67.1-67.11, 467, 489, 504-508, 510, 545-547**

(56) **References Cited**

U.S. PATENT DOCUMENTS

- D. 22,835 * 10/1893 Cone D9/314
- D. 229,033 * 11/1973 Cooper D19/88

- D. 302,653 * 8/1989 Wolff D8/395
- D. 310,323 * 9/1990 Kiyokane D8/395
- D. 352,314 * 11/1994 Wolff D19/65
- D. 408,452 * 4/1999 Coe D19/65
- 5,774,946 * 7/1998 Morgan 24/67.5

* cited by examiner

Primary Examiner—Martie K. Holtje

(74) *Attorney, Agent, or Firm*—Rabin & Champagne, P.C.

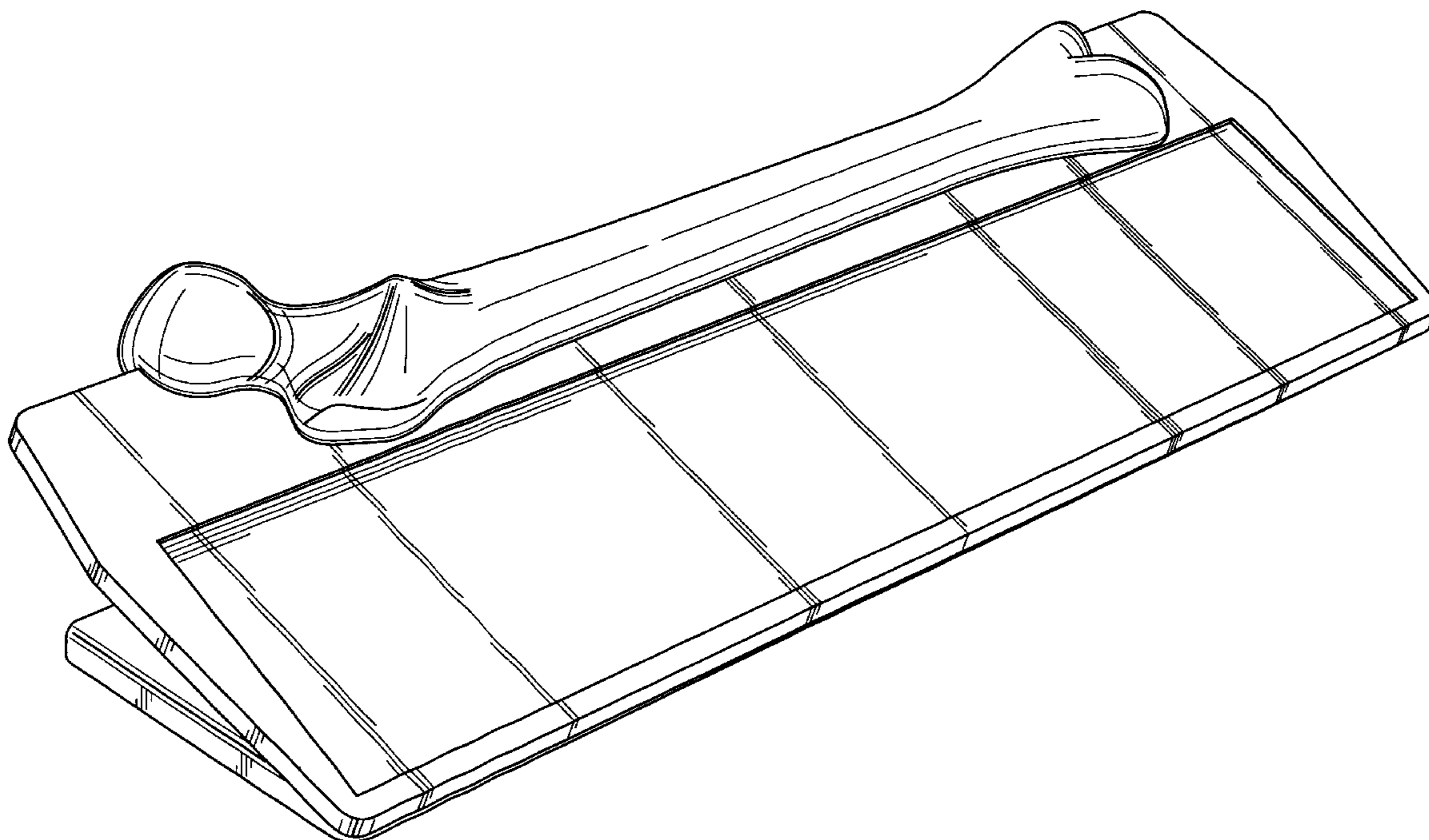
(57) **CLAIM**

The ornamental design for a memo clip, as shown and described.

DESCRIPTION

FIG. 1 is a front perspective view of a memo clip showing my new design;
 FIG. 2 is a front view thereof;
 FIG. 3 is a bottom view thereof;
 FIG. 4 is a left side view thereof;
 FIG. 5 is a right side view thereof;
 FIG. 6 is a top view thereof; and,
 FIG. 7 is a rear view thereof.

1 Claim, 4 Drawing Sheets



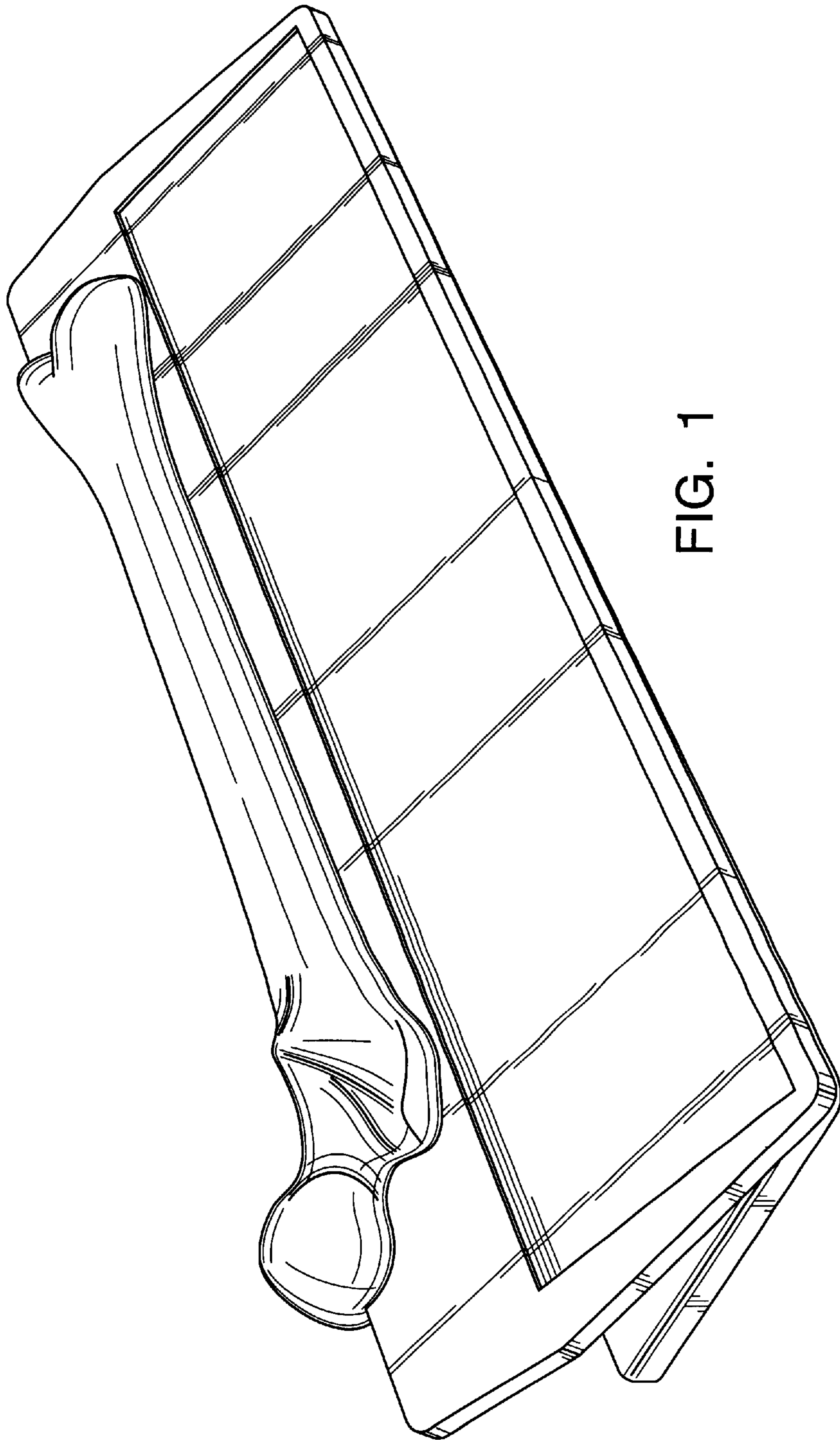


FIG. 1



FIG. 2



FIG. 3

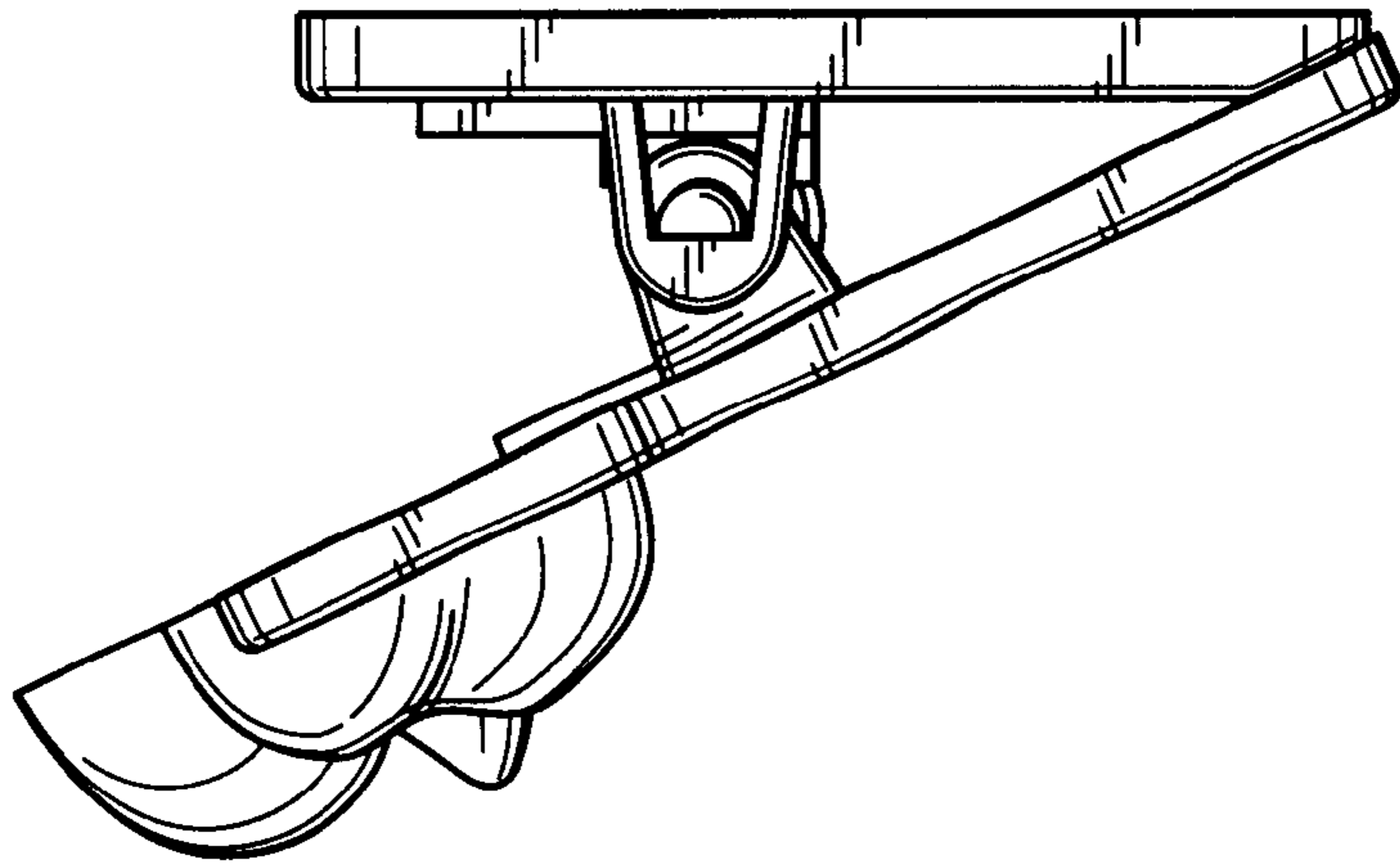


FIG. 5

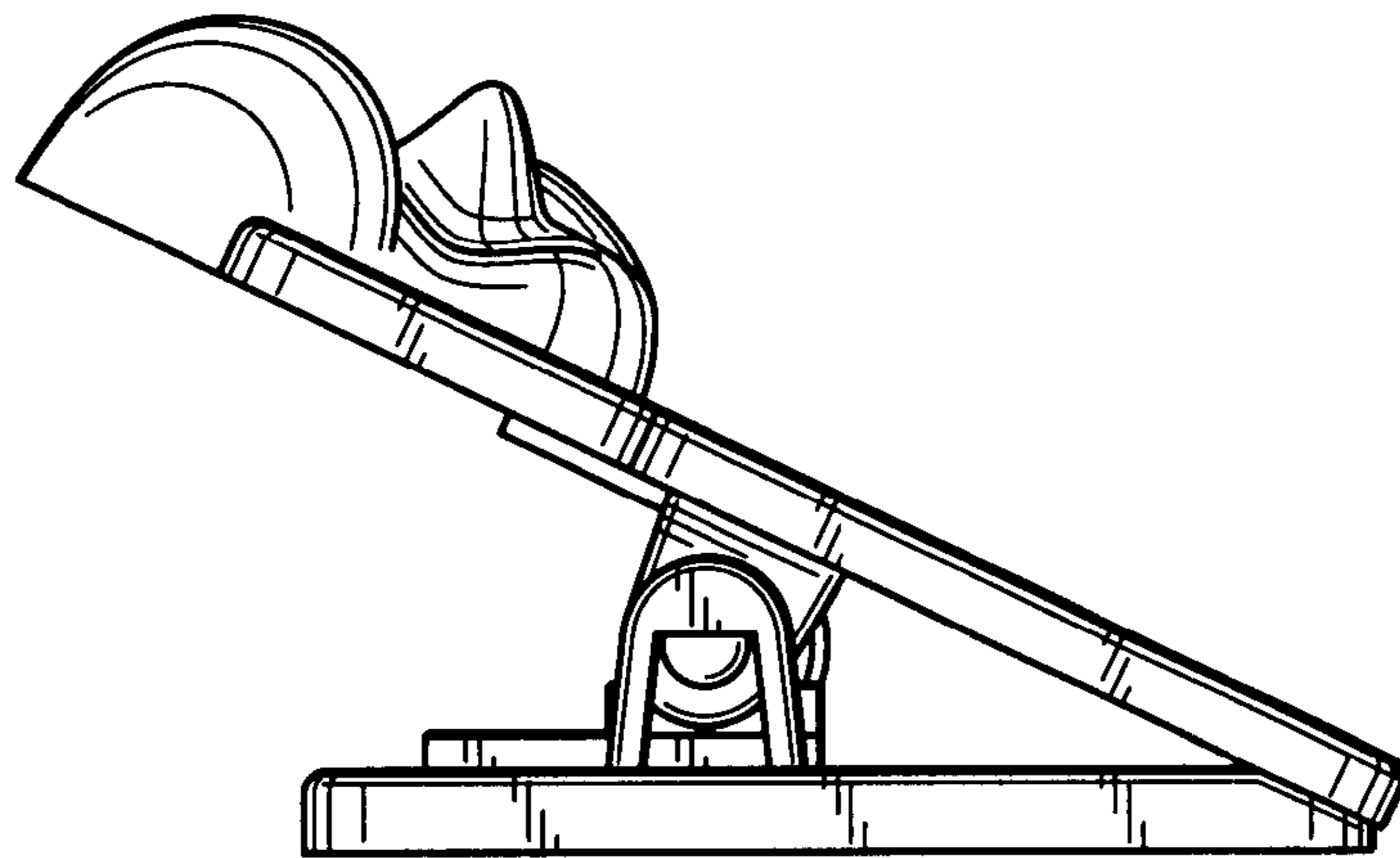


FIG. 4

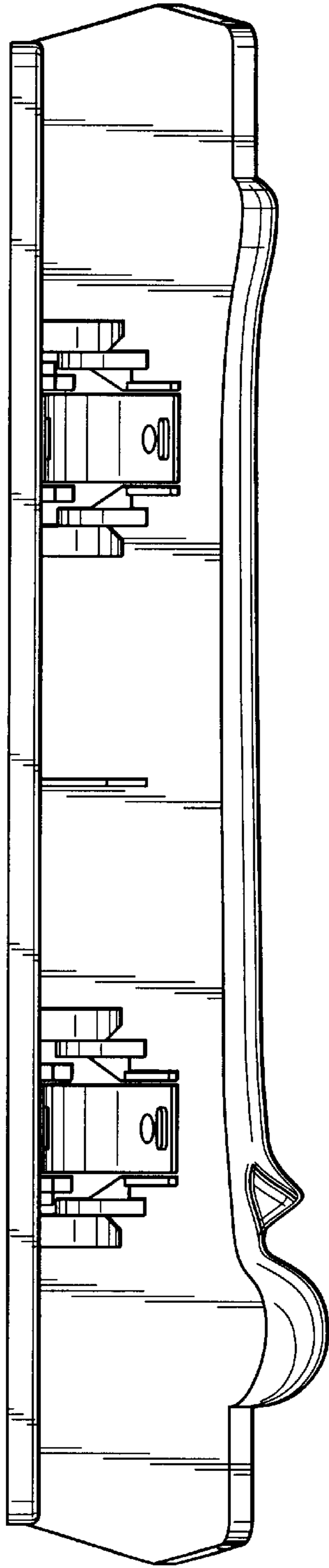


FIG. 6

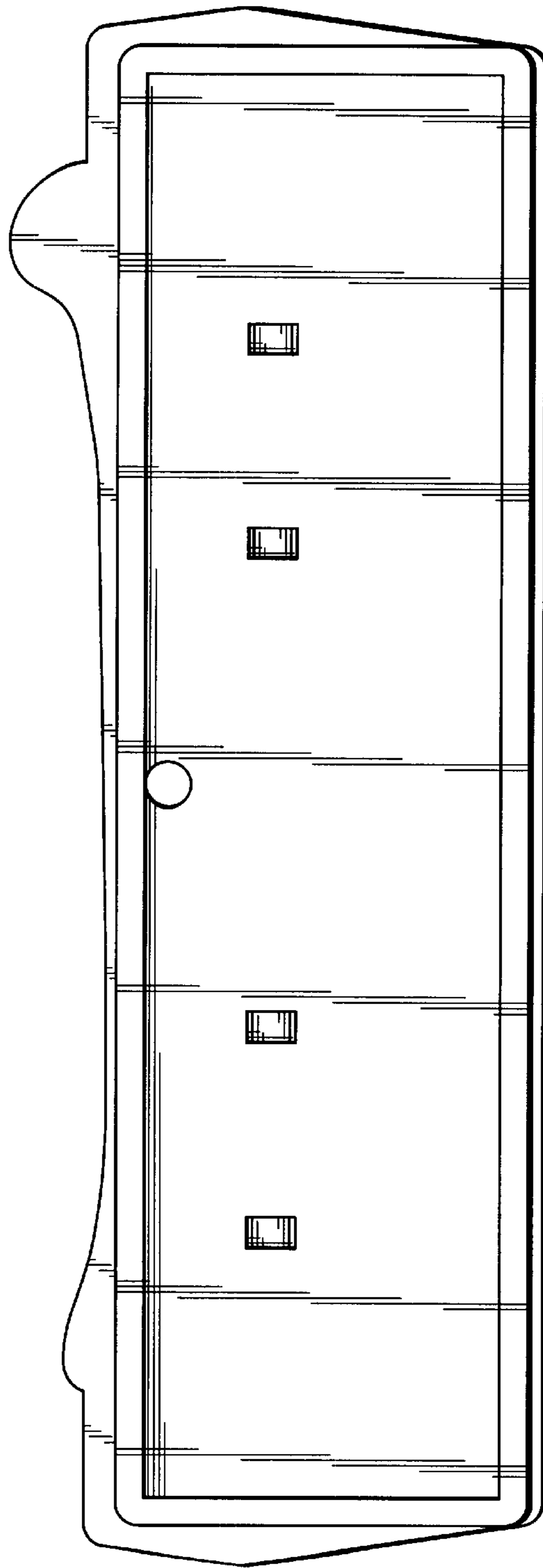


FIG. 7