



US00D445134S

(12) **United States Design Patent**  
**Leeds**

(10) **Patent No.:** **US D445,134 S**

(45) **Date of Patent:** **\*\* Jul. 17, 2001**

(54) **DISPLAY AND WRITING IMPLEMENT  
HOLDER**

(75) **Inventor:** **Douglas B. Leeds**, New York, NY (US)

(73) **Assignee:** **Thomson-Leeds Company, Inc.**, New York, NY (US)

(\*\*) **Term:** **14 Years**

(21) **Appl. No.:** **29/118,820**

(22) **Filed:** **Feb. 16, 2000**

(51) **LOC (7) Cl.** ..... **19-06**

(52) **U.S. Cl.** ..... **D19/84; D20/19; D19/78**

(58) **Field of Search** ..... D20/19, 10, 27,  
D20/42, 43, 99; D19/81-85, 86, 78, 90;  
D6/553, 554, 534; 211/69.1-69.9, 87.01;  
24/3.7, 10 R; 40/642.02, 658, 660, 666,  
358; 248/316.1, 316.7, 205.1

(56) **References Cited**

**U.S. PATENT DOCUMENTS**

58,363	10/1866	Adair .	
66,367	7/1867	Mason .	
D. 168,491	12/1952	Alvarex .	
D. 172,847	8/1954	Spatz .	
D. 185,331	5/1959	Tannenbaum .	
D. 201,479	* 6/1965	Green .....	D19/84
D. 231,138	4/1974	Ewry .	
243,898	7/1881	Hill, Jr. .	
D. 256,963	* 9/1980	Harrington .....	D19/85 X
D. 414,210	* 9/1999	Davis .....	D19/85

897,645	*	9/1908	McLean .....	24/10 R
1,037,022	*	8/1912	Klein .....	24/3.7
1,291,430		12/1919	Davenport .	
2,320,561	*	6/1943	Brady et al. ....	24/10 R
3,048,278		8/1962	Zaia .....	211/45
3,310,269	*	3/1967	Sama .....	248/205.1
4,884,701		12/1989	Nymark et al. ....	211/69.8
4,936,469		6/1990	Drower .....	211/69.8
5,066,154	*	11/1991	Renaud .....	401/131
5,140,723	*	8/1992	Genzel .....	24/10 R
5,484,066		1/1996	Luisi .....	211/69.8
5,640,743	*	6/1997	Greene et al. ....	24/10 R
5,820,095		10/1998	Stone .....	248/316.7

\* cited by examiner

*Primary Examiner*—Martie K. Holtje

(74) *Attorney, Agent, or Firm*—Millen White Zelano & Branigan

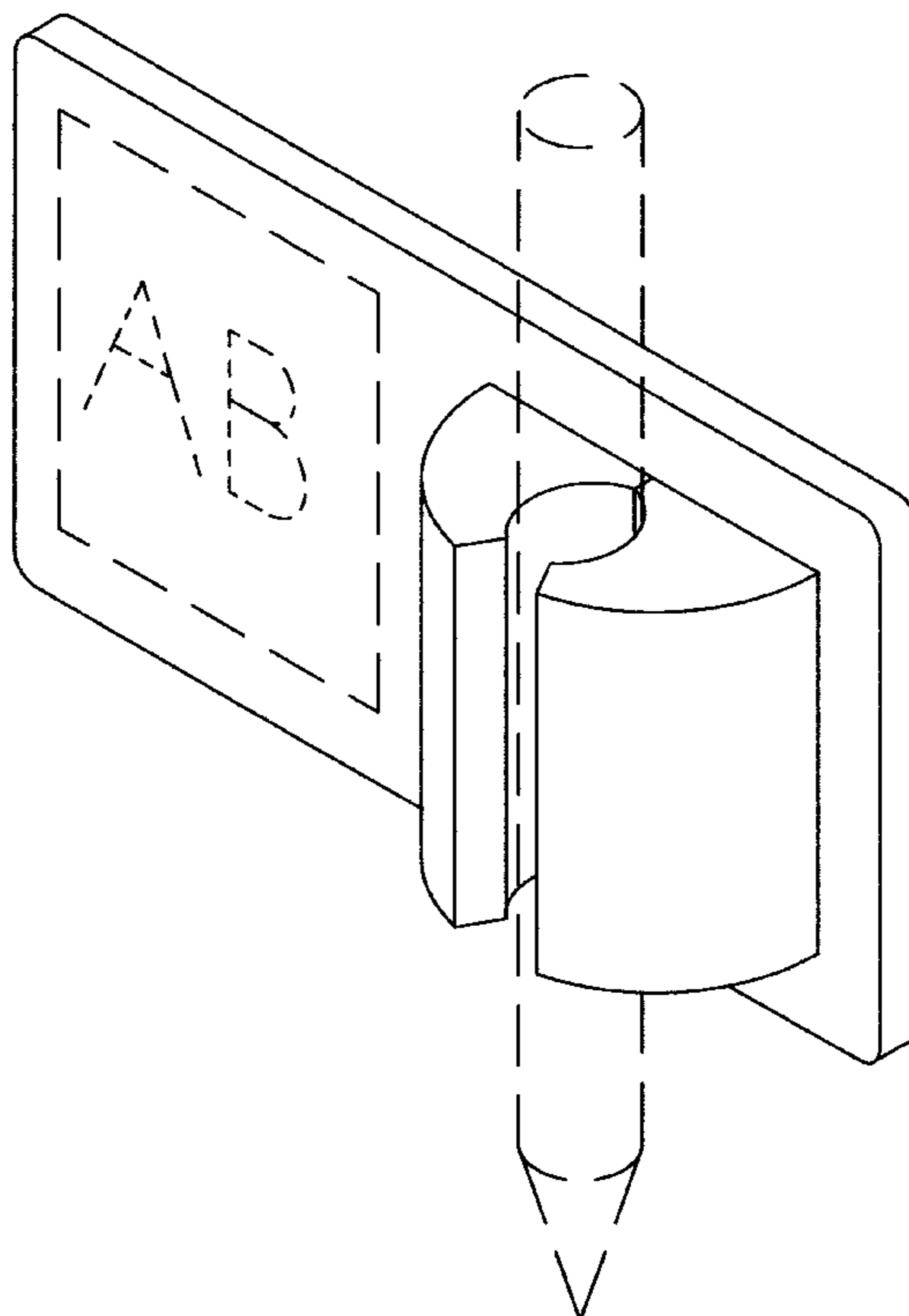
(57) **CLAIM**

The ornamental design for a display and writing implement holder, as shown and described.

**DESCRIPTION**

FIG. 1 is a front view of a display and writing implement holder according to the instant invention; and, FIG. 2 is a perspective view of a display and writing implement holder according to the instant invention with a writing implement therein, with the broken line showing the writing implement and indicia for illustrative purposes only and forming no part of the claimed design.

**1 Claim, 2 Drawing Sheets**



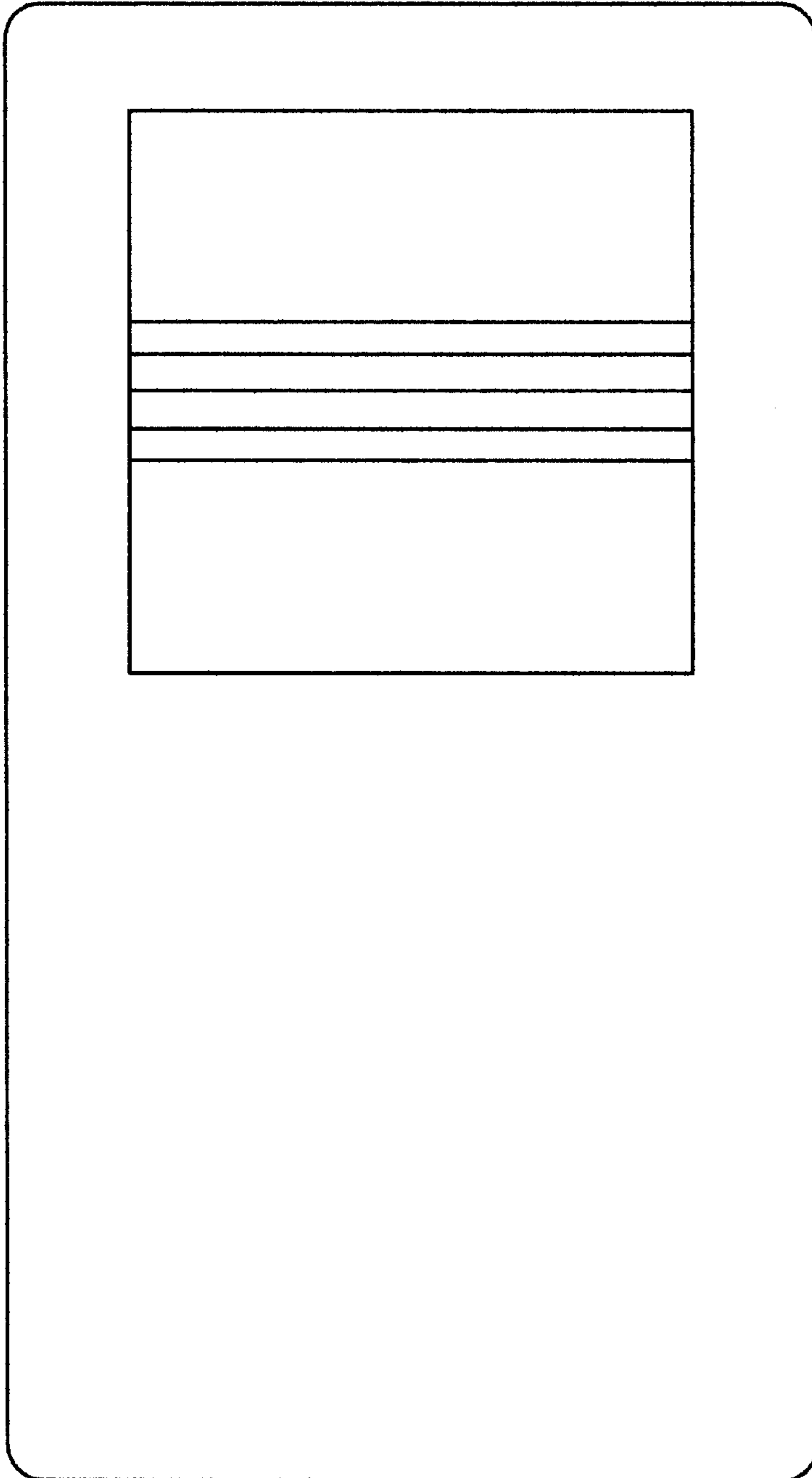


Fig. 1

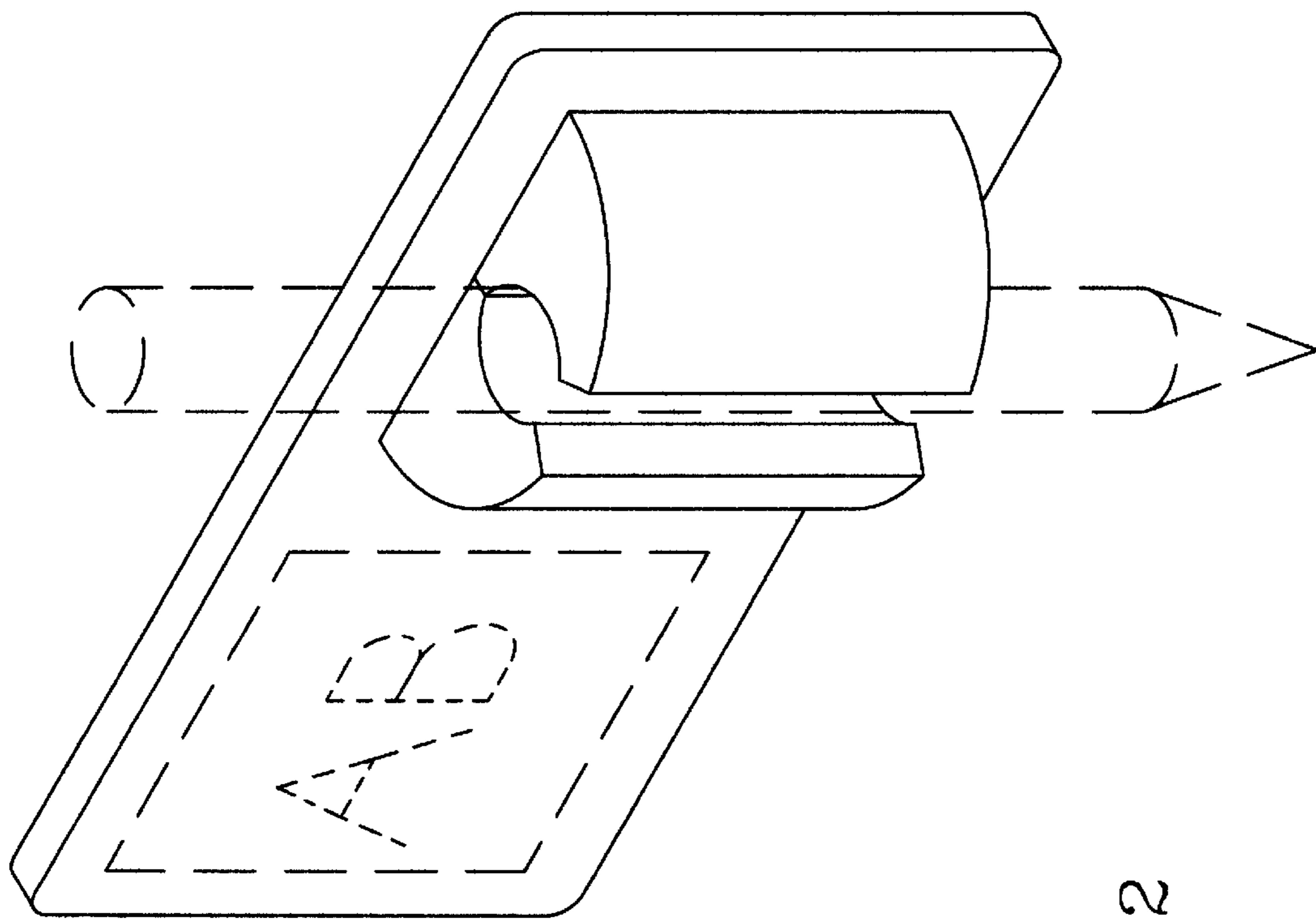


Fig. 2