



US00D445133S

(12) **United States Design Patent**
Arns

(10) **Patent No.:** **US D445,133 S**

(45) **Date of Patent:** **** Jul. 17, 2001**

(54) **SECTION FOR MAKING A PUNCH**

(75) Inventor: **Stefan Arns**, Stenkullen (SE)

(73) Assignee: **Isaberg Rapid AB**, Hestra (SE)

(**) Term: **14 Years**

(21) Appl. No.: **29/129,182**

(22) Filed: **Sep. 11, 2000**

Related U.S. Application Data

(62) Division of application No. 29/108,236, filed on Jul. 26, 1999, now Pat. No. Des. 437,616.

(30) **Foreign Application Priority Data**

Jan. 27, 1999 (DE) 499 00 594

(51) **LOC (7) Cl.** **19-02**

(52) **U.S. Cl.** **D19/72**

(58) **Field of Search** D15/123, 128;
D19/65, 72, 95, 99, 100; D8/49-51, 98,
105; 83/166, 167, 467.1, 559, 560, 582,
588, 613, 618, 633, 667, 669, 684; 30/358,
363

(56) **References Cited**

U.S. PATENT DOCUMENTS

D. 279,798	*	7/1985	Mori	D19/72
D. 305,203	*	12/1989	Loesche	D8/98
2,244,660	*	6/1941	Carpenter	83/618
2,558,567	*	6/1951	Kaeser	83/167
4,757,733	*	7/1988	Barlow	83/588
4,905,555	*	3/1990	Hsu	83/618
6,109,155	*	8/2000	Huang	83/628

* cited by examiner

Primary Examiner—Martie K. Holtje

(74) *Attorney, Agent, or Firm*—Miles & Stockbridge P.C.

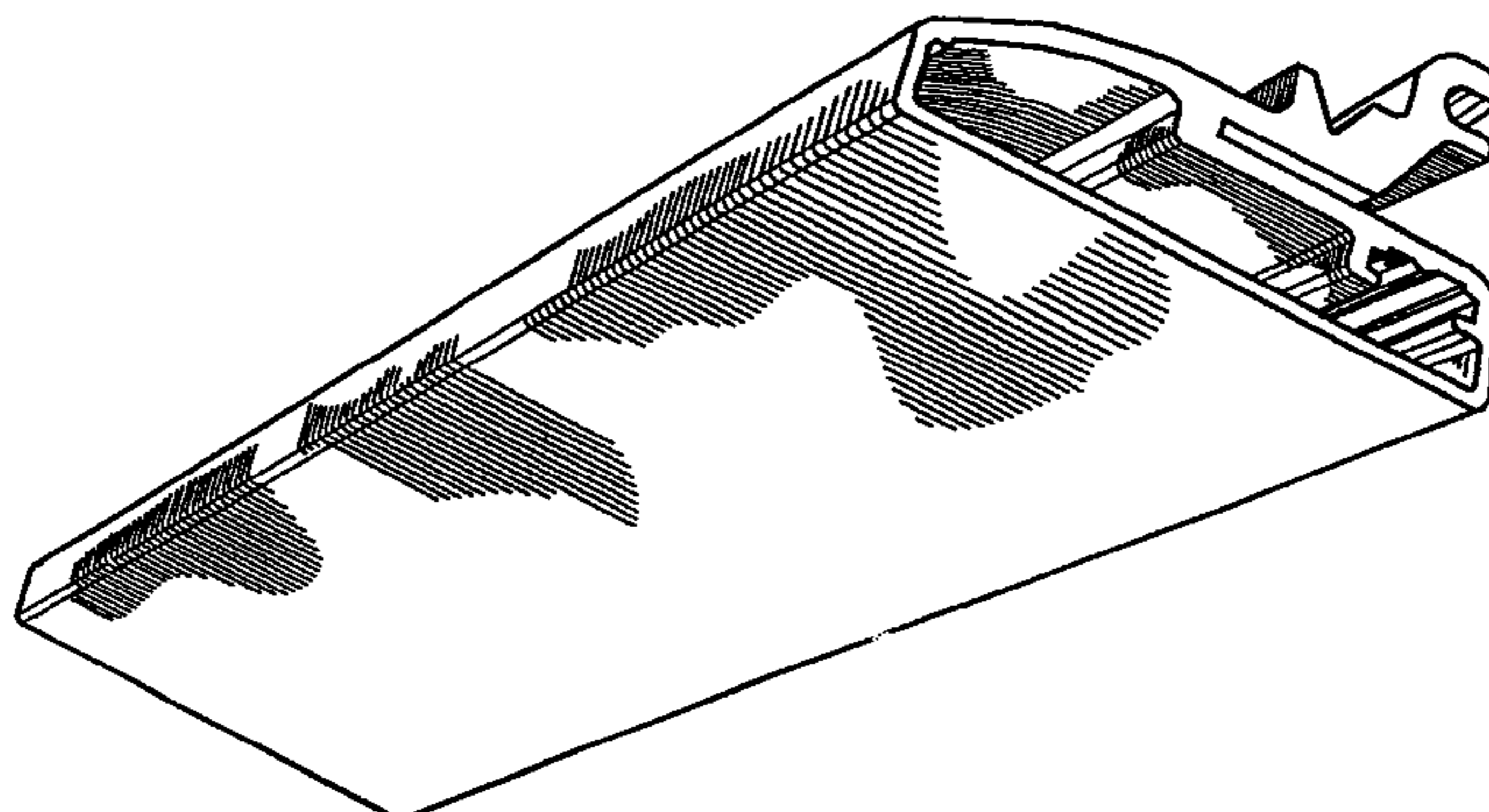
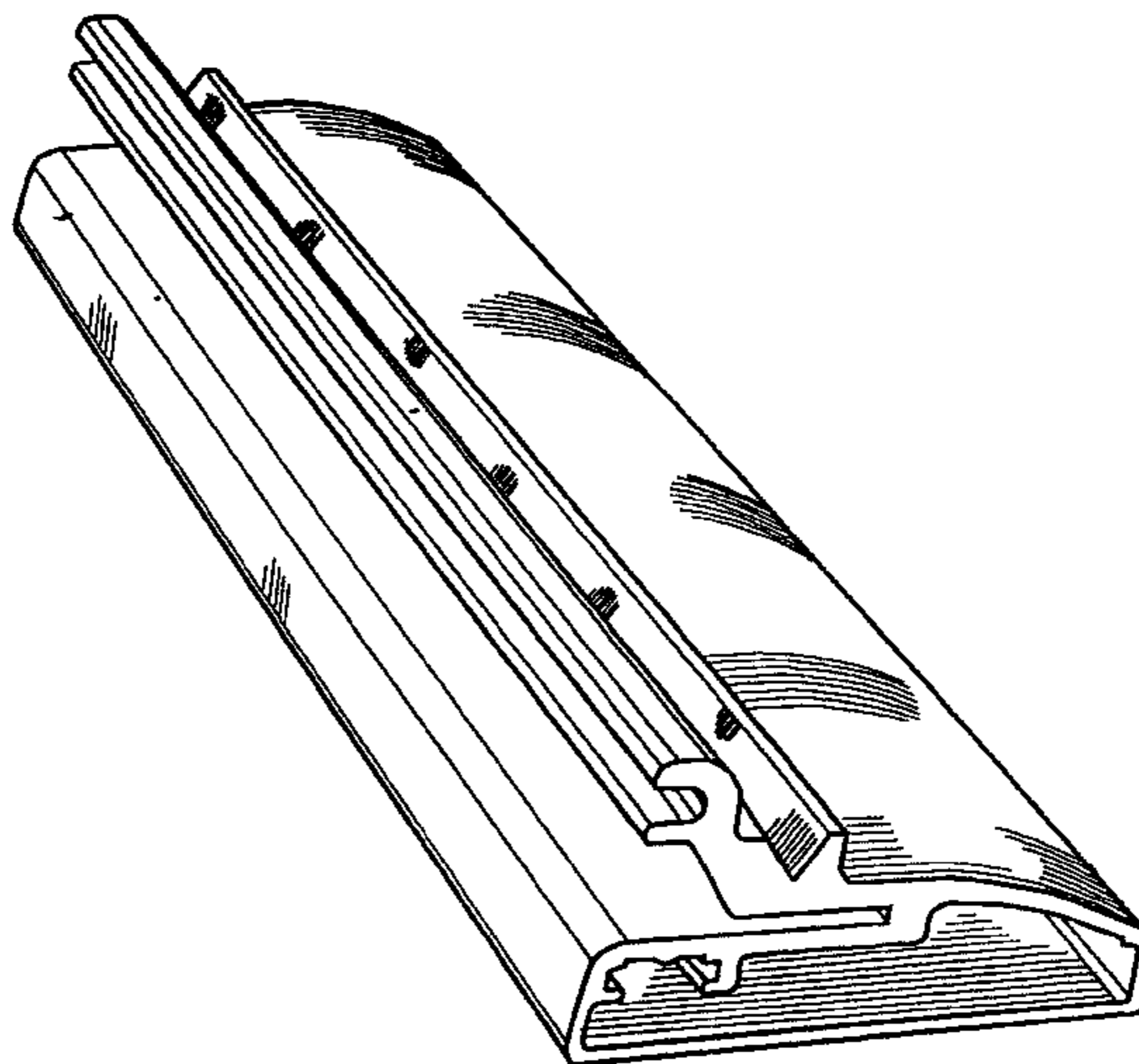
(57) **CLAIM**

The ornamental design for a section for making a punch, as shown.

DESCRIPTION

FIG. 1 is a perspective view showing the top side, the right side and the rear side of a section for making a punch according to the invention; and, FIG. 2 is a perspective view showing the underside, the left side and the front.

1 Claim, 1 Drawing Sheet



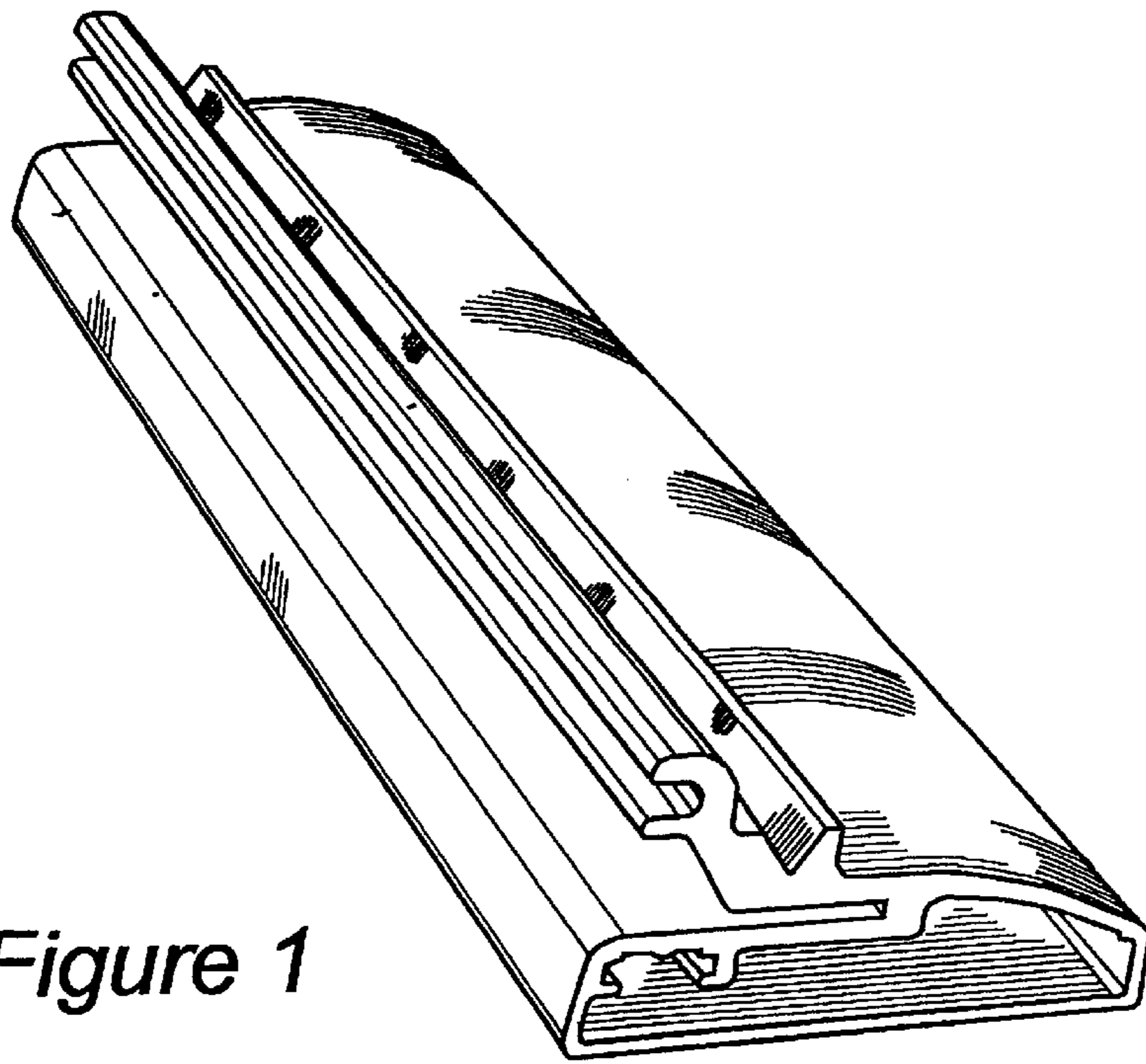


Figure 1

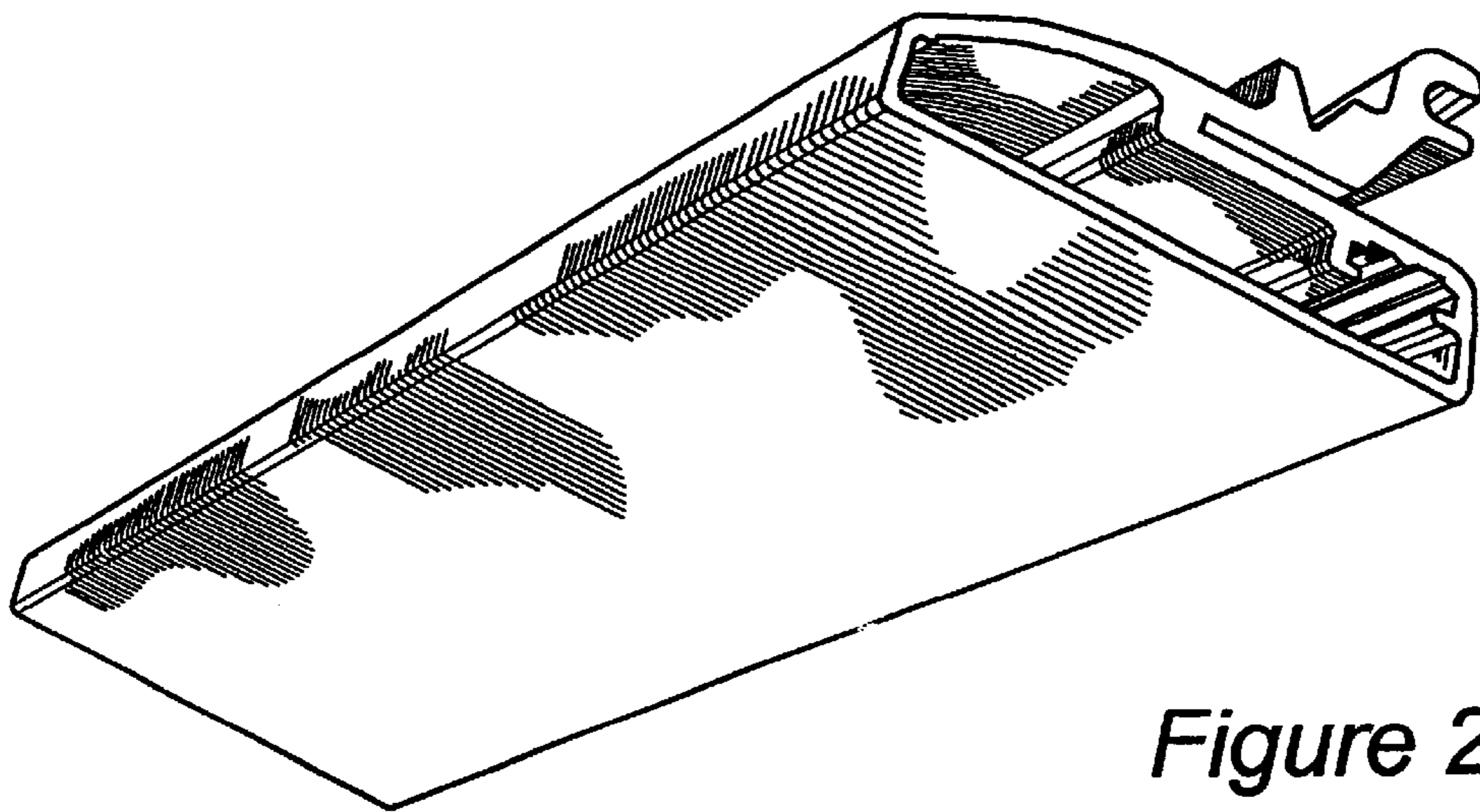


Figure 2