



US00D445119S

(12) **United States Design Patent**  
**Ceroll et al.**

(10) **Patent No.:** **US D445,119 S**

(45) **Date of Patent:** **\*\* Jul. 17, 2001**

(54) **TABLE SAW WITH TELESCOPING RAILS**

(75) Inventors: **Warren A. Ceroll**, Owings Mills;  
**Robert S. Gehret**, Hampstead; **Daniel Puzio**, Baltimore; **Frederick R. Bean**, Finksburg; **Michael L. O'Banion**, Westminster, all of MD (US); **David A. Porter**, Hanover, PA (US); **Daniel A. Ferrara, Jr.**, Bantam, CT (US)

(73) Assignee: **Black & Decker Inc.**, Newark, DE (US)

(\*\*) Term: **14 Years**

(21) Appl. No.: **29/118,568**

(22) Filed: **Feb. 9, 2000**

**Related U.S. Application Data**

(63) Continuation-in-part of application No. 29/096,838, filed on Nov. 20, 1998, now Pat. No. Des. 414,786.

(51) **LOC (7) Cl.** ..... **15-09**

(52) **U.S. Cl.** ..... **D15/133**

(58) **Field of Search** ..... D15/133; 83/432, 83/435, 468.7, 477, 477.2, 478, 522.3, 522.1; 269/318, 166, 180

(56) **References Cited**

**U.S. PATENT DOCUMENTS**

D. 299,925	2/1989	Brickner, Jr. et al. .
D. 354,757	1/1995	Wixey .
1,938,548	12/1933	Tautz .
2,166,703	7/1939	Boice .
2,744,549	5/1956	Johnson .
2,806,493	9/1957	Gaskell .
2,852,049	9/1958	Peterson .
4,128,029	12/1978	Gay et al. .

4,521,006	6/1985	Waters .
4,566,510	1/1986	Bartlett et al. .
4,599,927	7/1986	Eccardt et al. .
4,658,687	4/1987	Haas et al. .
4,677,920	7/1987	Eccardt .
4,696,213	9/1987	Conneally .
4,964,450	10/1990	Hughes et al. .
5,116,249	5/1992	Shiotani et al. .
5,123,317	6/1992	Barnes, Jr. et al. .
5,230,269	7/1993	Shiotani et al. .
5,460,070	10/1995	Buskness .

**OTHER PUBLICATIONS**

Photographs of Pro-Tech 10" Bench Saw.

*Primary Examiner*—Antoine Duval Davis

(74) *Attorney, Agent, or Firm*—Adan Ayala

(57) **CLAIM**

The ornamental design for a table saw with telescoping rails, as shown and described.

**DESCRIPTION**

FIG. 1 is a front elevational view of a table saw with telescoping rails showing our new design.

FIG. 2 is a right side elevational of the table saw.

FIG. 3 is a rear elevational of the table saw.

FIG. 4 is a left side elevational of the table saw.

FIG. 5 is a front perspective view from the left side of the table saw.

FIG. 6 is a rear perspective view from the right side of the table saw.

FIG. 7 is a top plan view of the table saw; and,

FIG. 8 is a top plan view of the table saw with the telescoping rails extended.

In the above drawing, any broken line illustration is not part of the design sought to be patented. In addition, any views not shown thereof do not form a part of the invention.

**1 Claim, 8 Drawing Sheets**

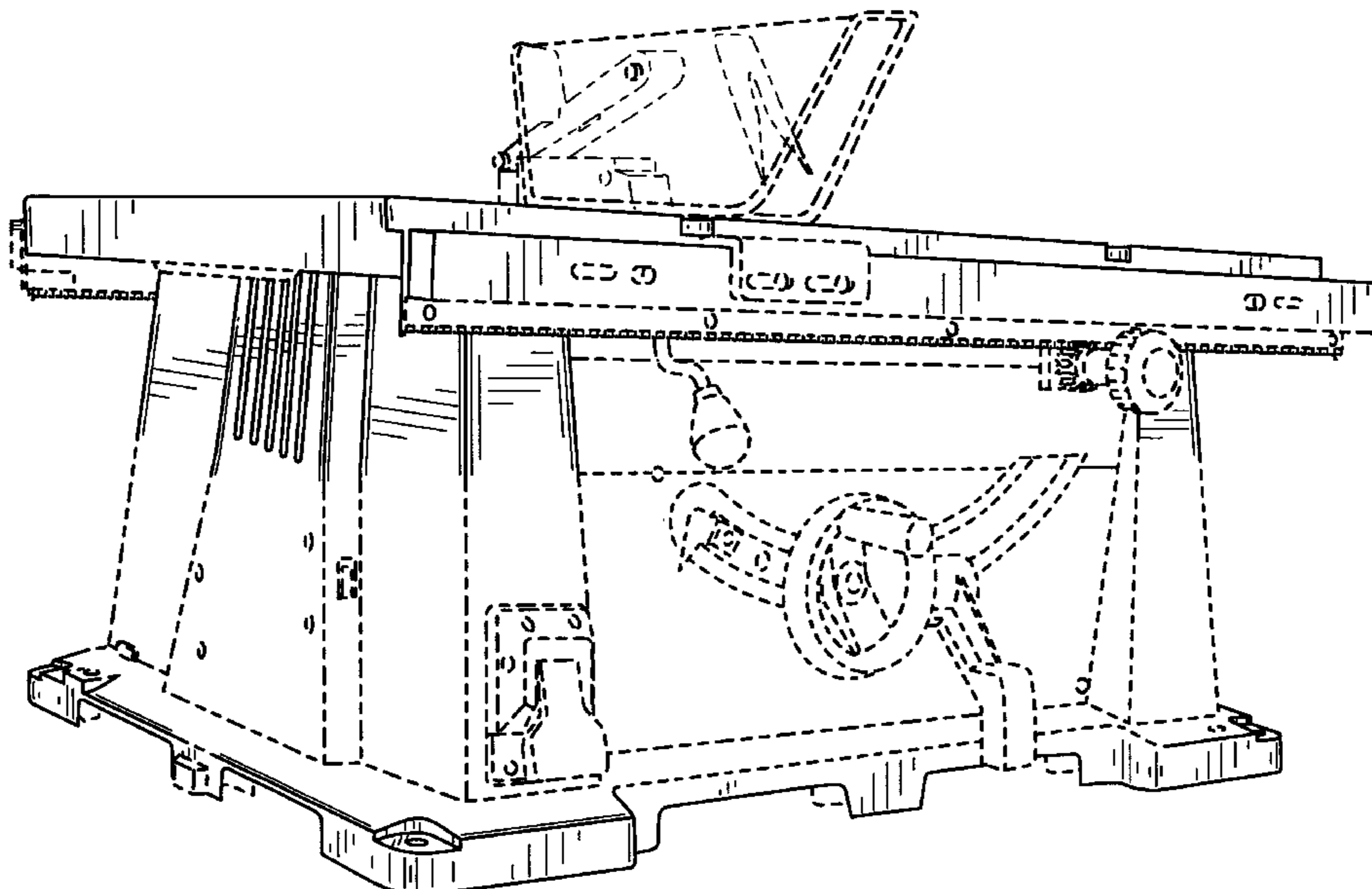


FIG. 1

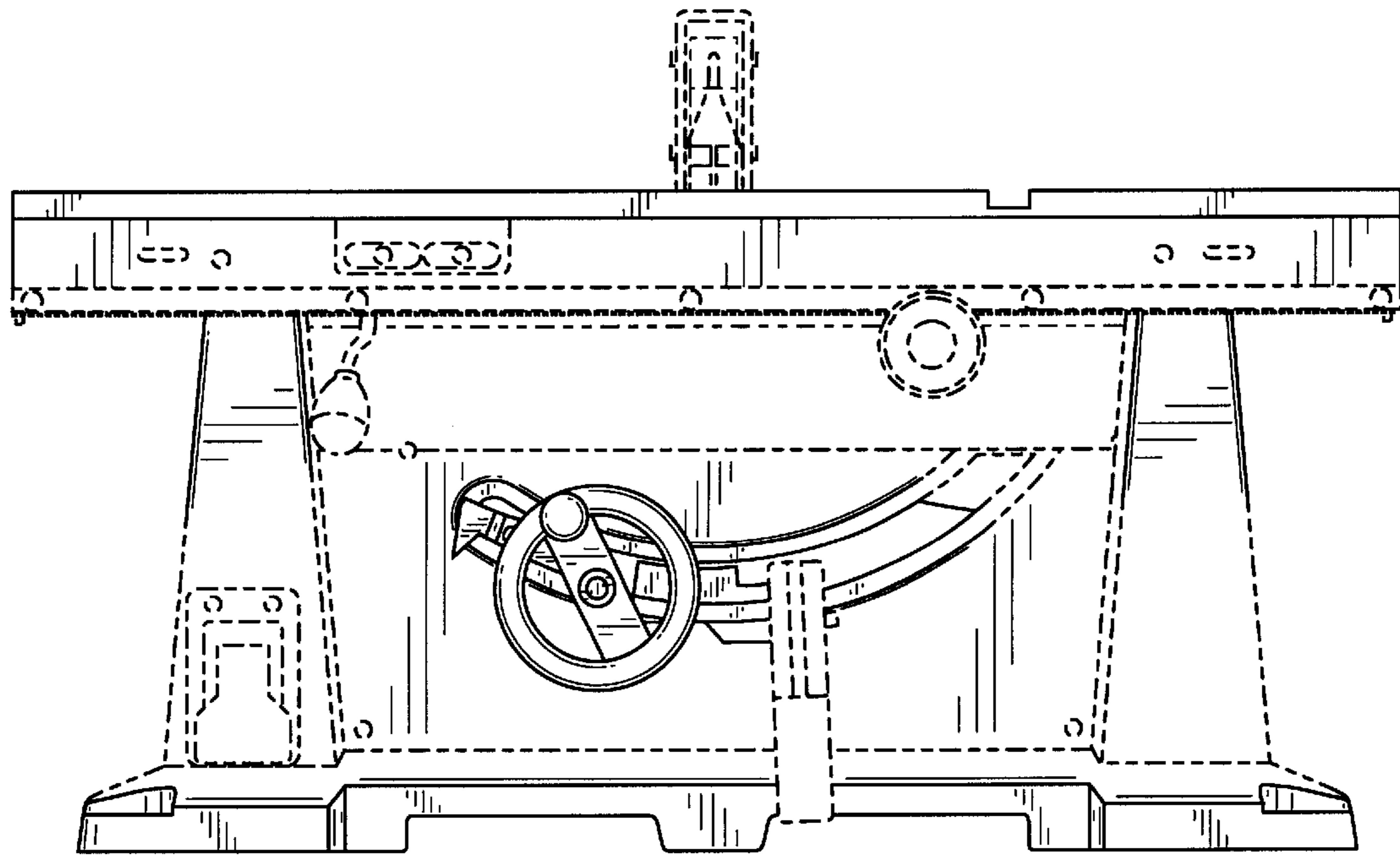


FIG. 2

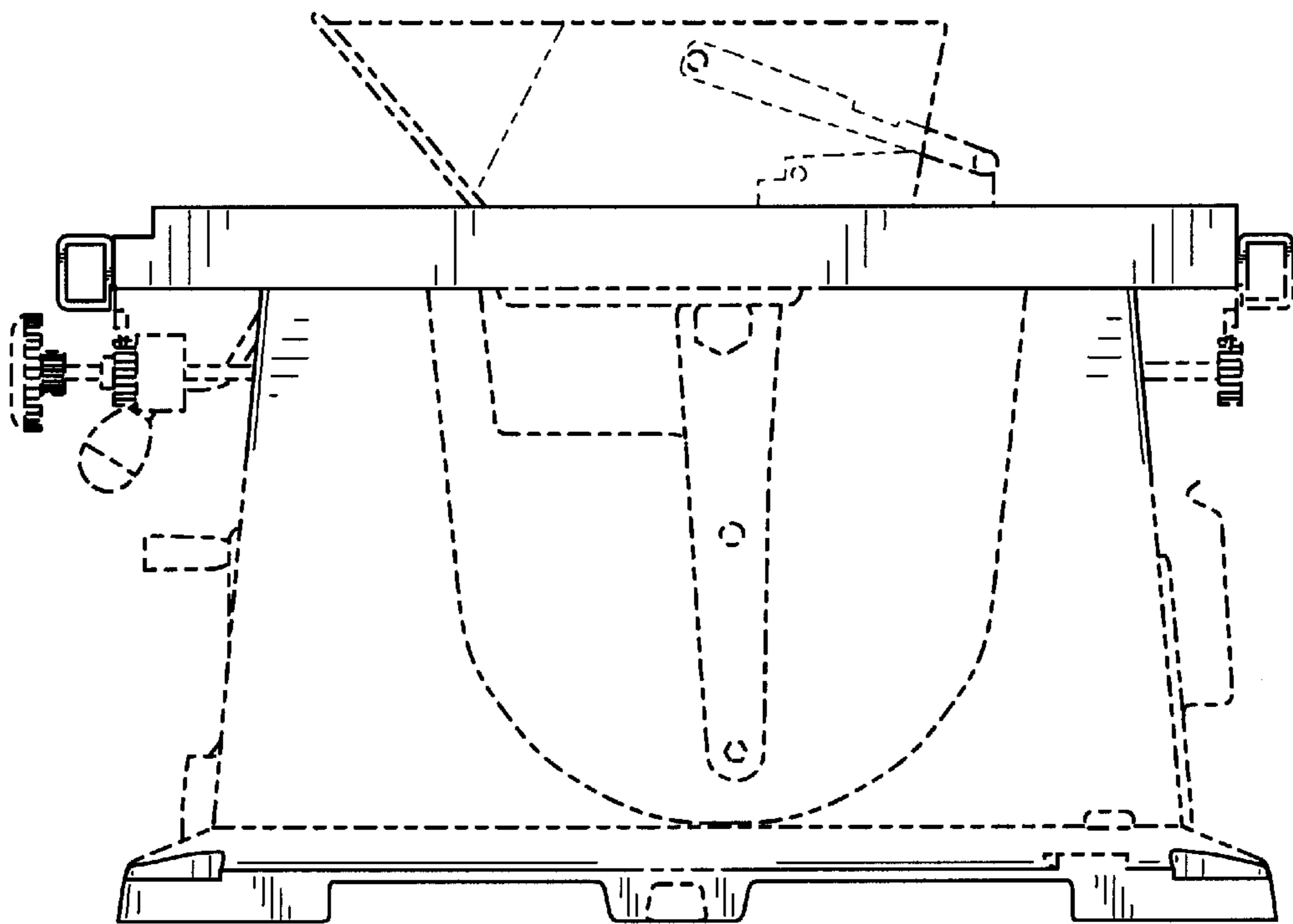


FIG. 3

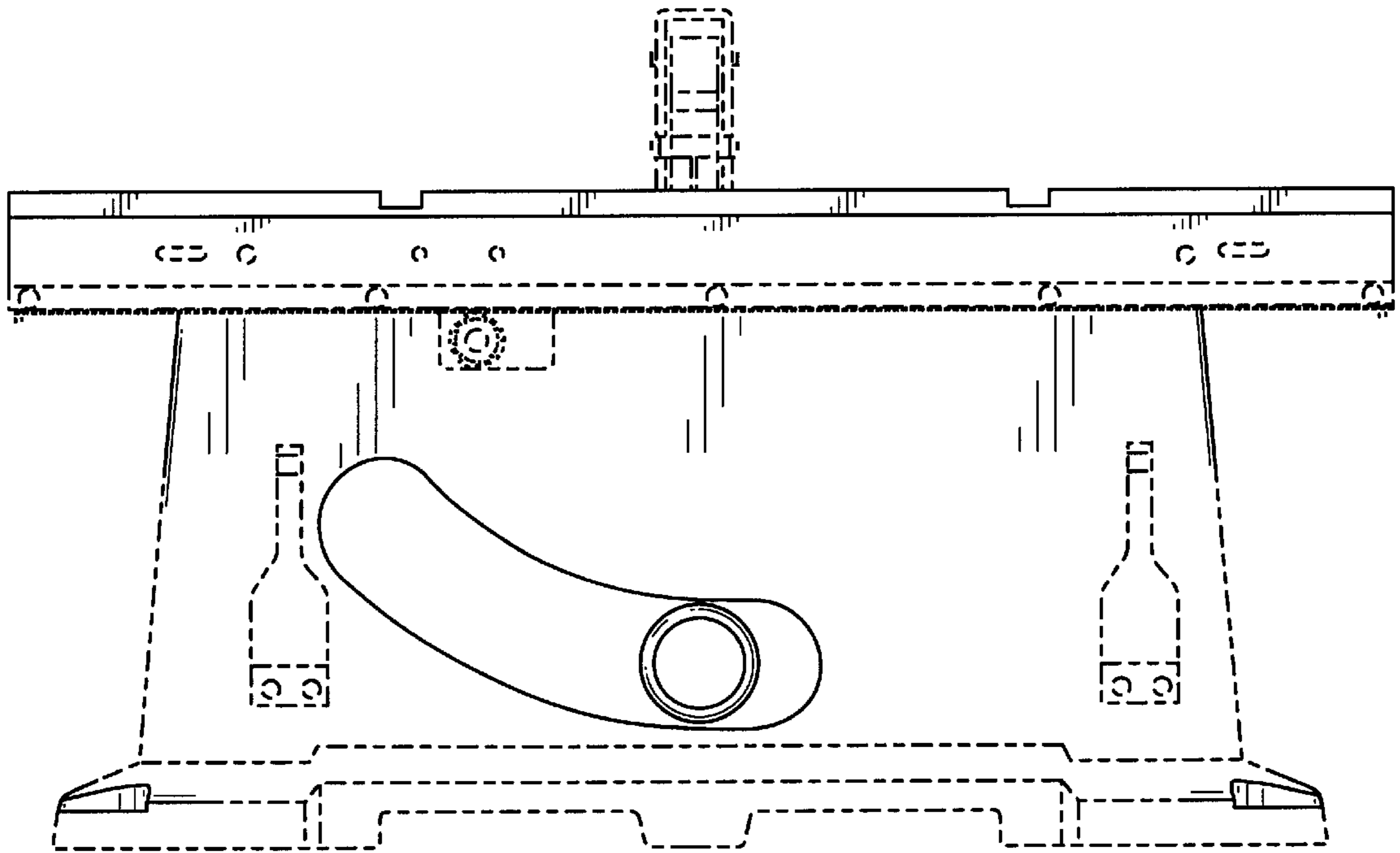


FIG. 4

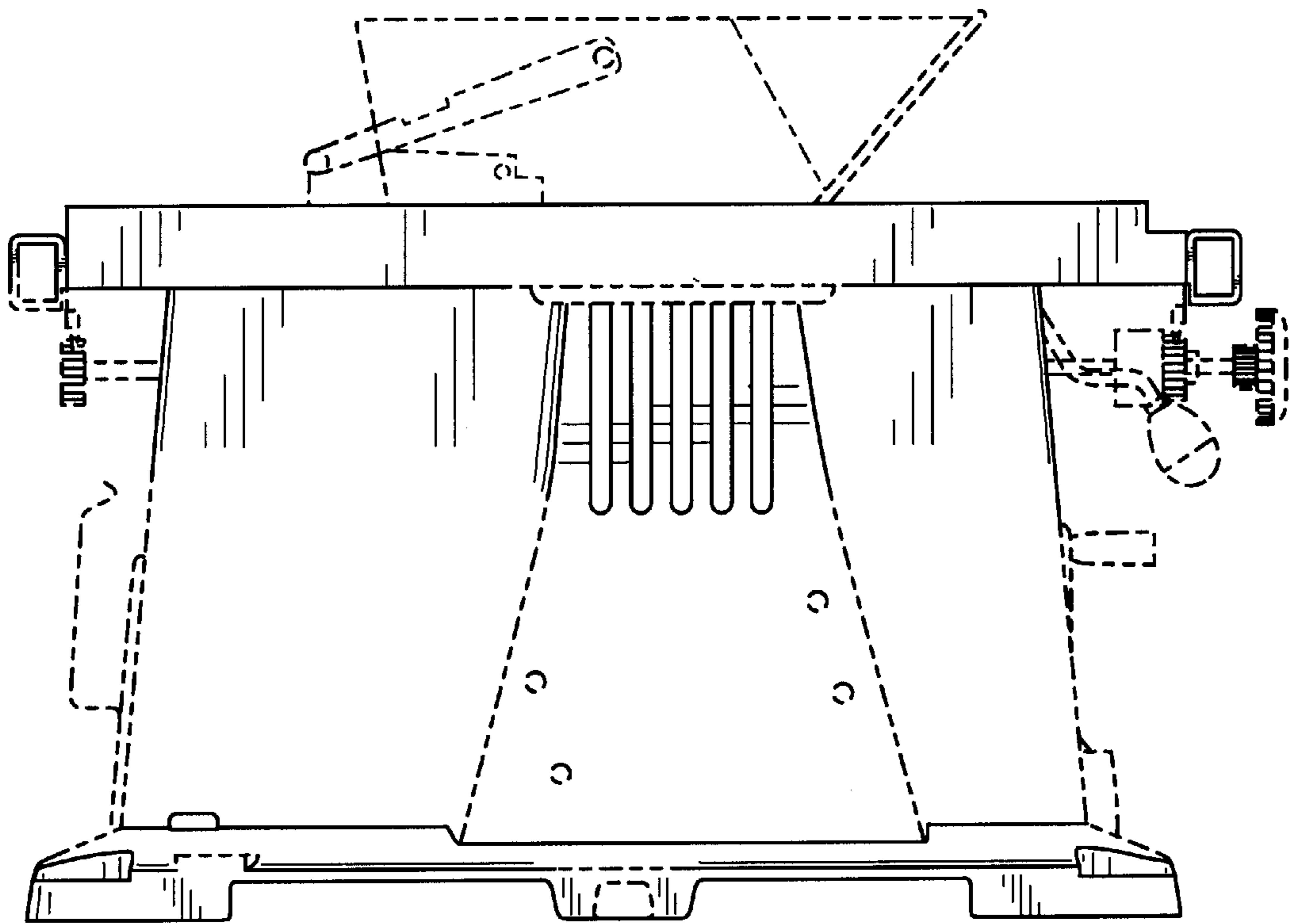


FIG. 5

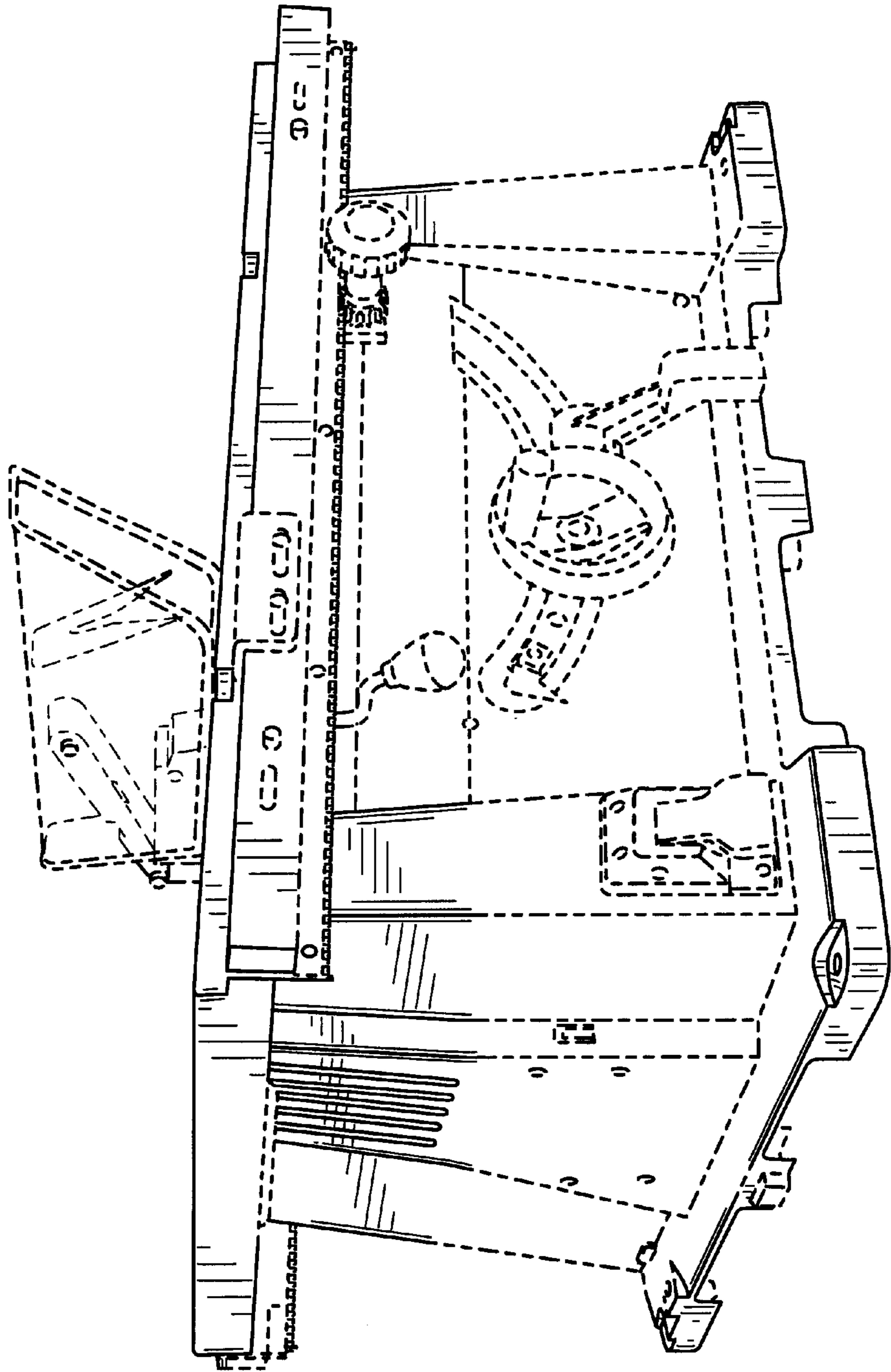


FIG. 6

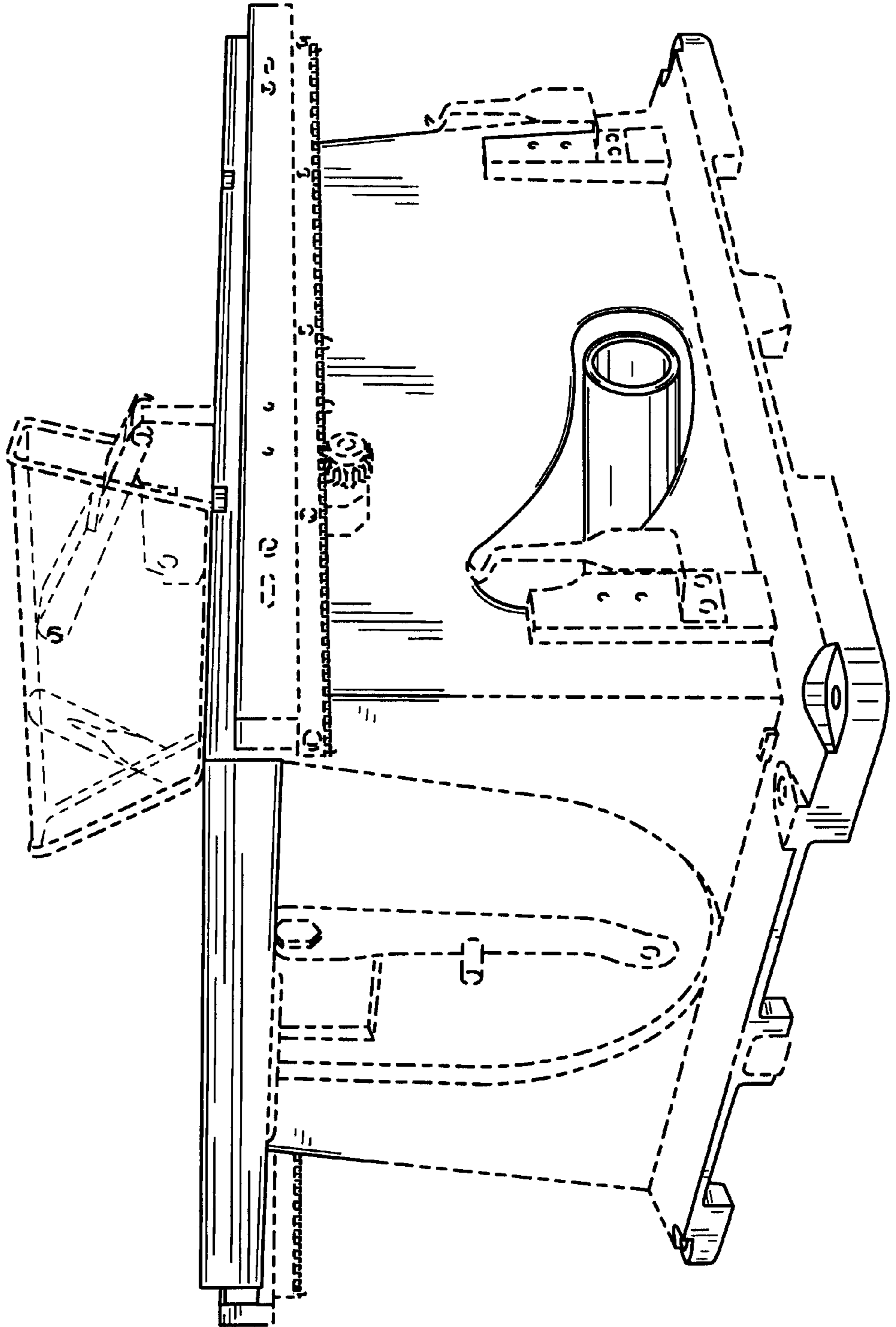


FIG. 7

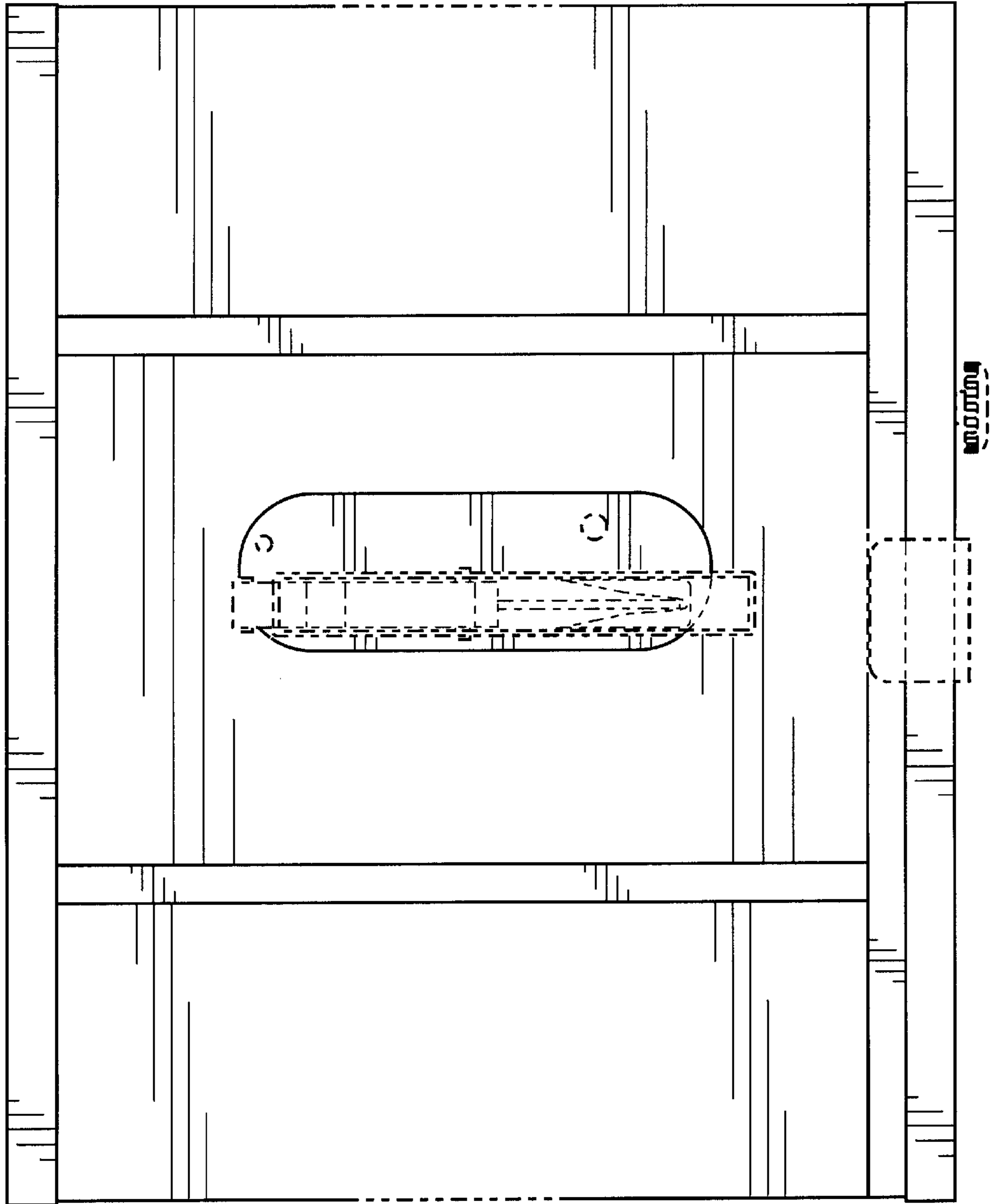




FIG. 8

