



US00D445118S

(12) **United States Design Patent**  
**Zwicker et al.**

(10) **Patent No.:** **US D445,118 S**

(45) **Date of Patent:** **\*\* Jul. 17, 2001**

(54) **ABRASIVE BLASTING CABINET**

D. 323,661 \* 2/1992 Zwicker ..... D15/124  
6,099,395 \* 8/2000 Guseman ..... 451/75

(75) Inventors: **Fred Zwicker**, Canfield; **Robert B. Athey, Jr.**, Boardman, both of OH (US)

\* cited by examiner

(73) Assignee: **Skat Blast, Inc.**, Canfield, OH (US)

*Primary Examiner*—Antoine Duval Davis

(74) *Attorney, Agent, or Firm*—Harpman & Harpman

(\*\*) Term: **14 Years**

(57) **CLAIM**

(21) Appl. No.: **29/129,899**

The ornamental design for an abrasive blasting cabinet, as shown and described.

(22) Filed: **Sep. 25, 2000**

**DESCRIPTION**

(51) **LOC (7) Cl.** ..... **15-09**

(52) **U.S. Cl.** ..... **D15/124**

(58) **Field of Search** ..... D15/124, 123;  
451/75, 87, 89, 90, 38, 39, 40, 451

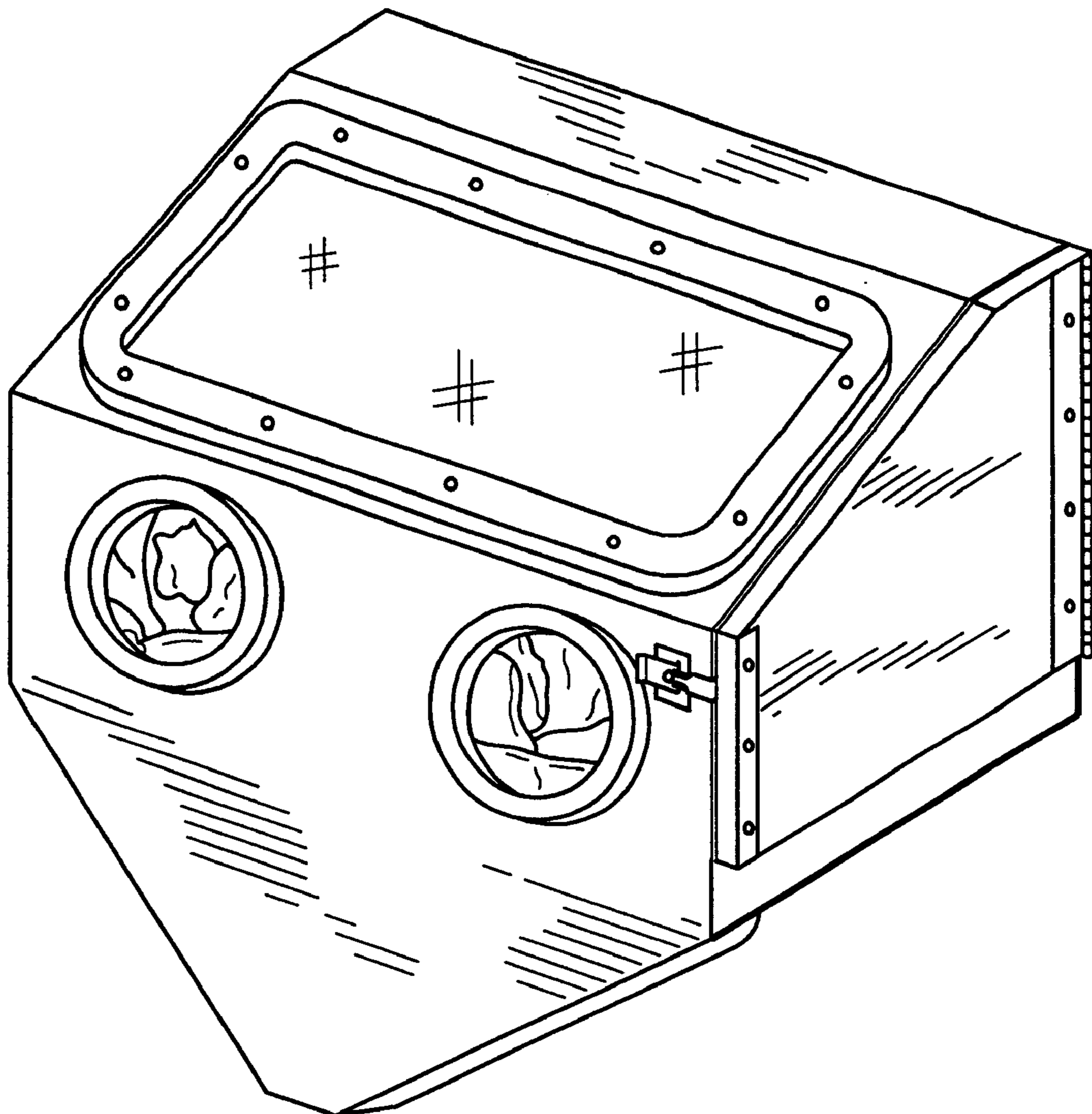
FIG. 1 is a top, front and right side perspective view of the sandblasting cabinet showing our new design; FIG. 2 is a right side elevational view thereof; FIG. 3 is a left side elevational view thereof; FIG. 4 is a rear elevational view thereof; and, FIG. 5 is a bottom plan view thereof.

(56) **References Cited**

**U.S. PATENT DOCUMENTS**

D. 250,196 \* 11/1978 Caccioll et al. .... D15/124

**1 Claim, 2 Drawing Sheets**



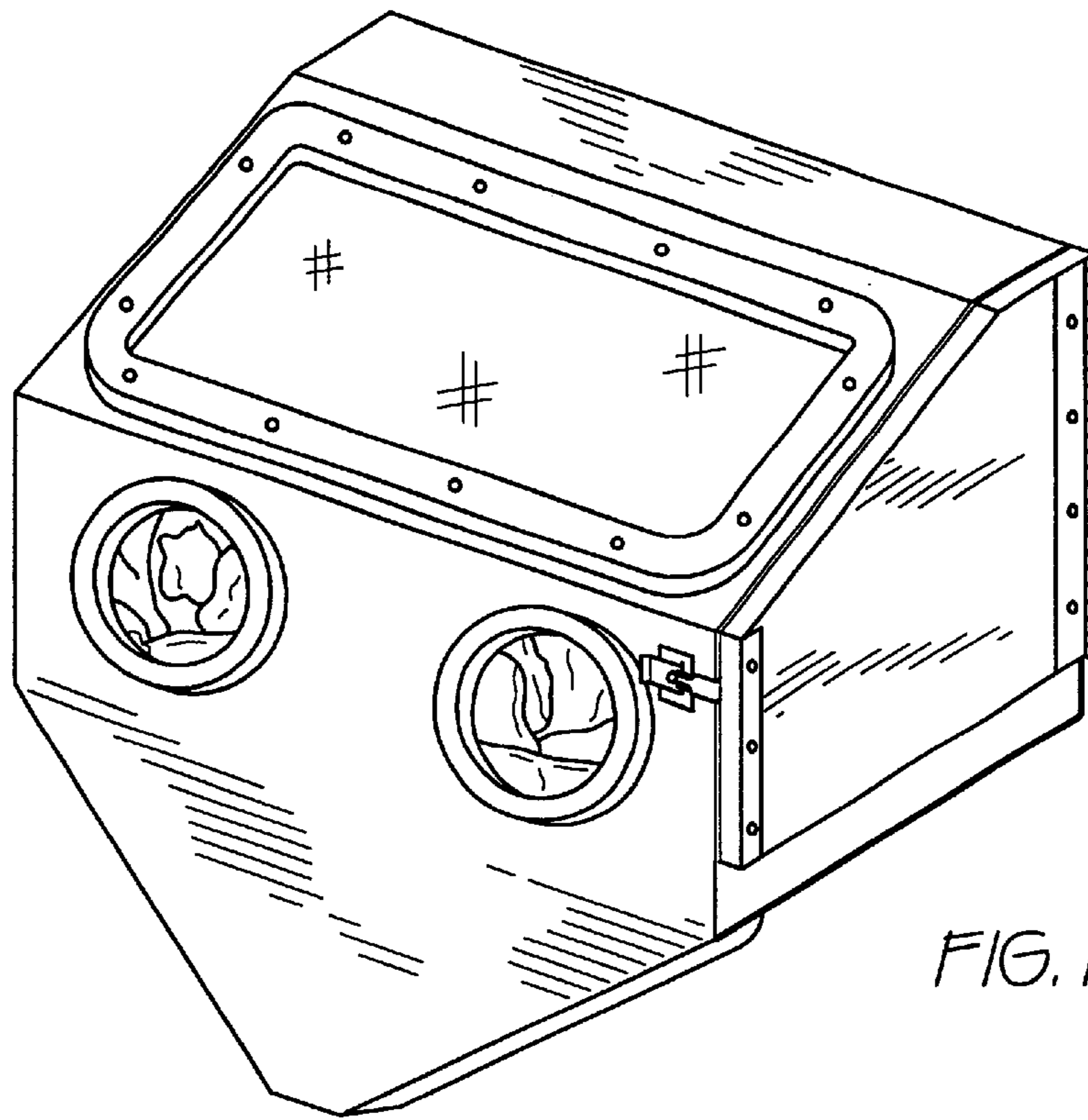


FIG. 1

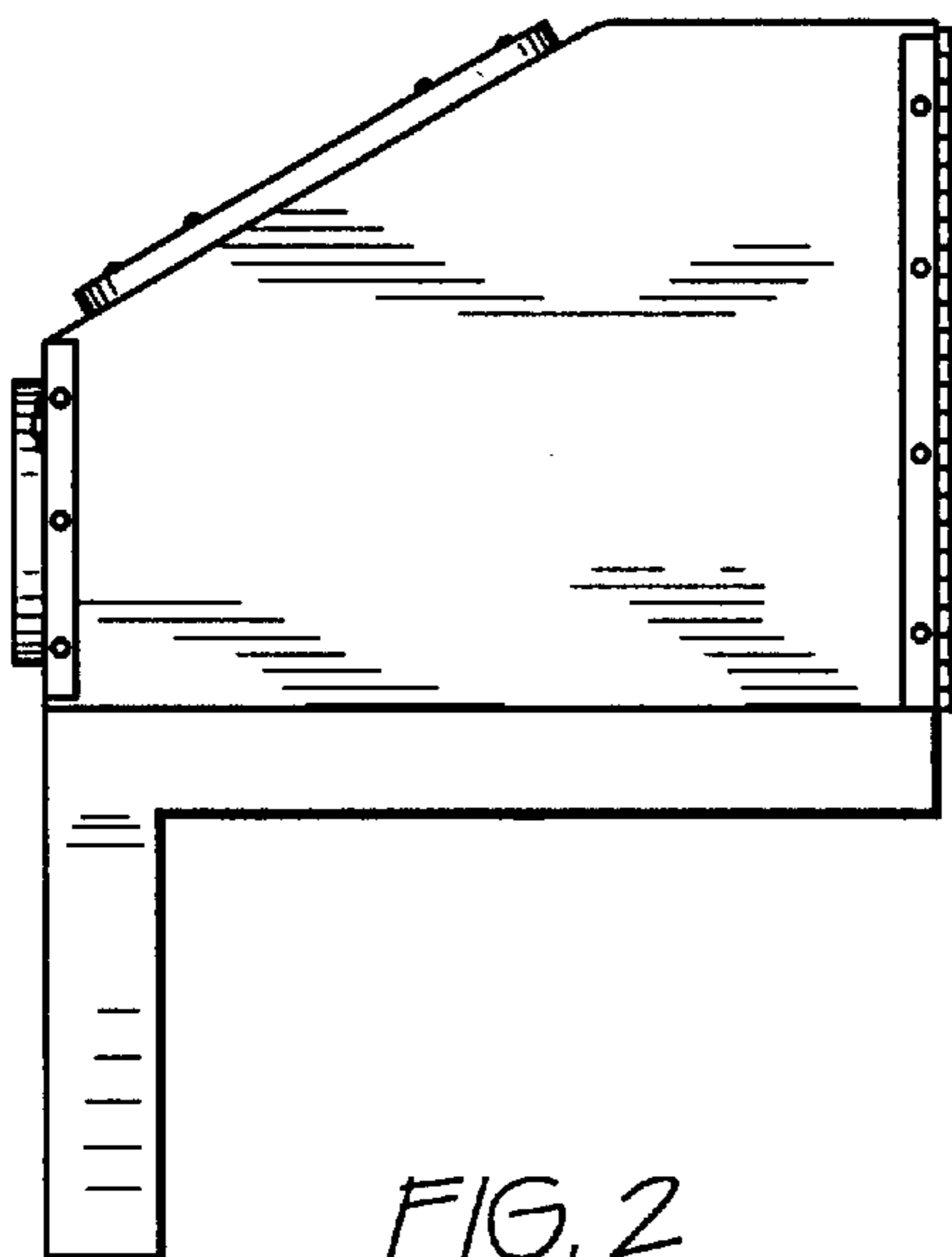


FIG. 2

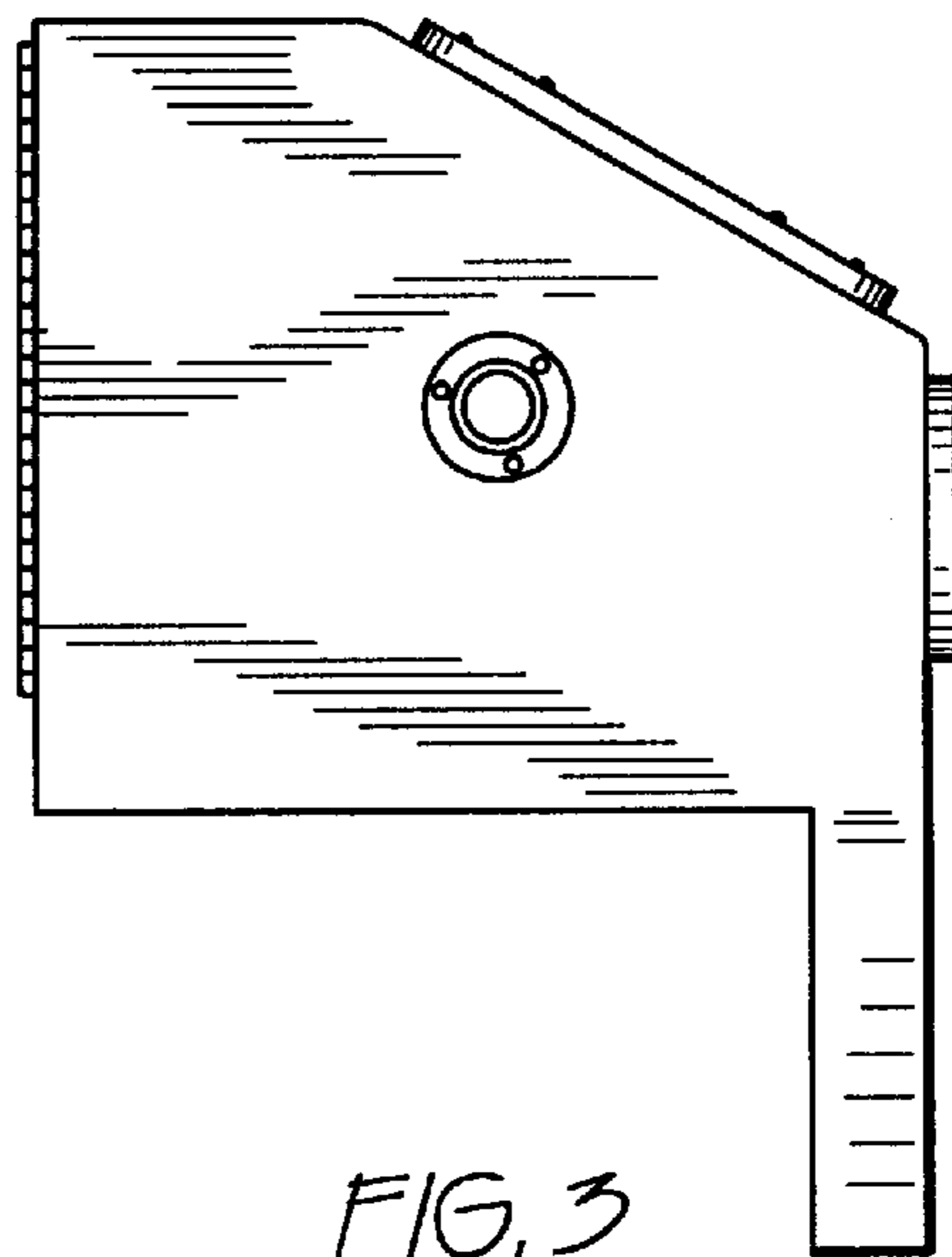


FIG. 3

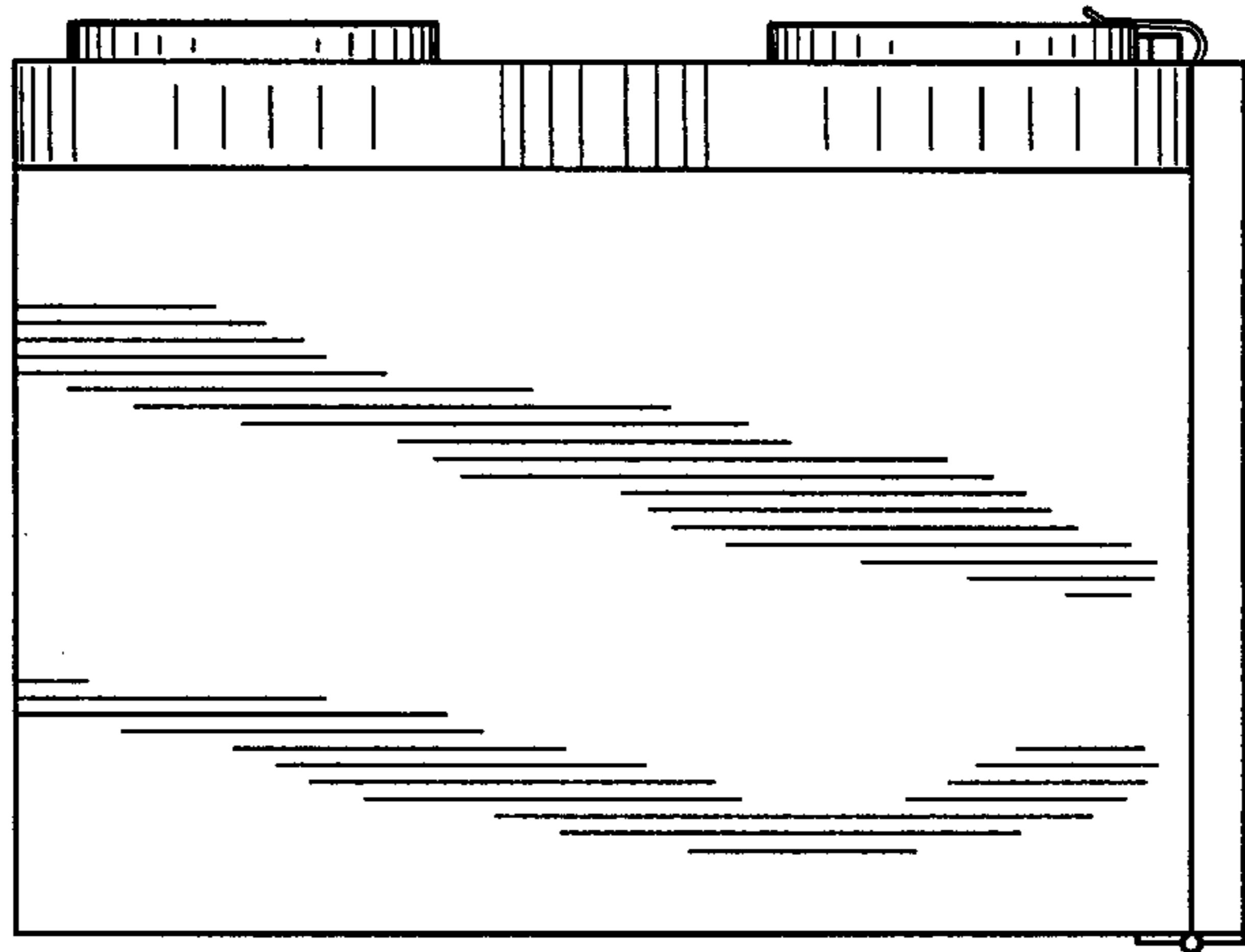


FIG. 4

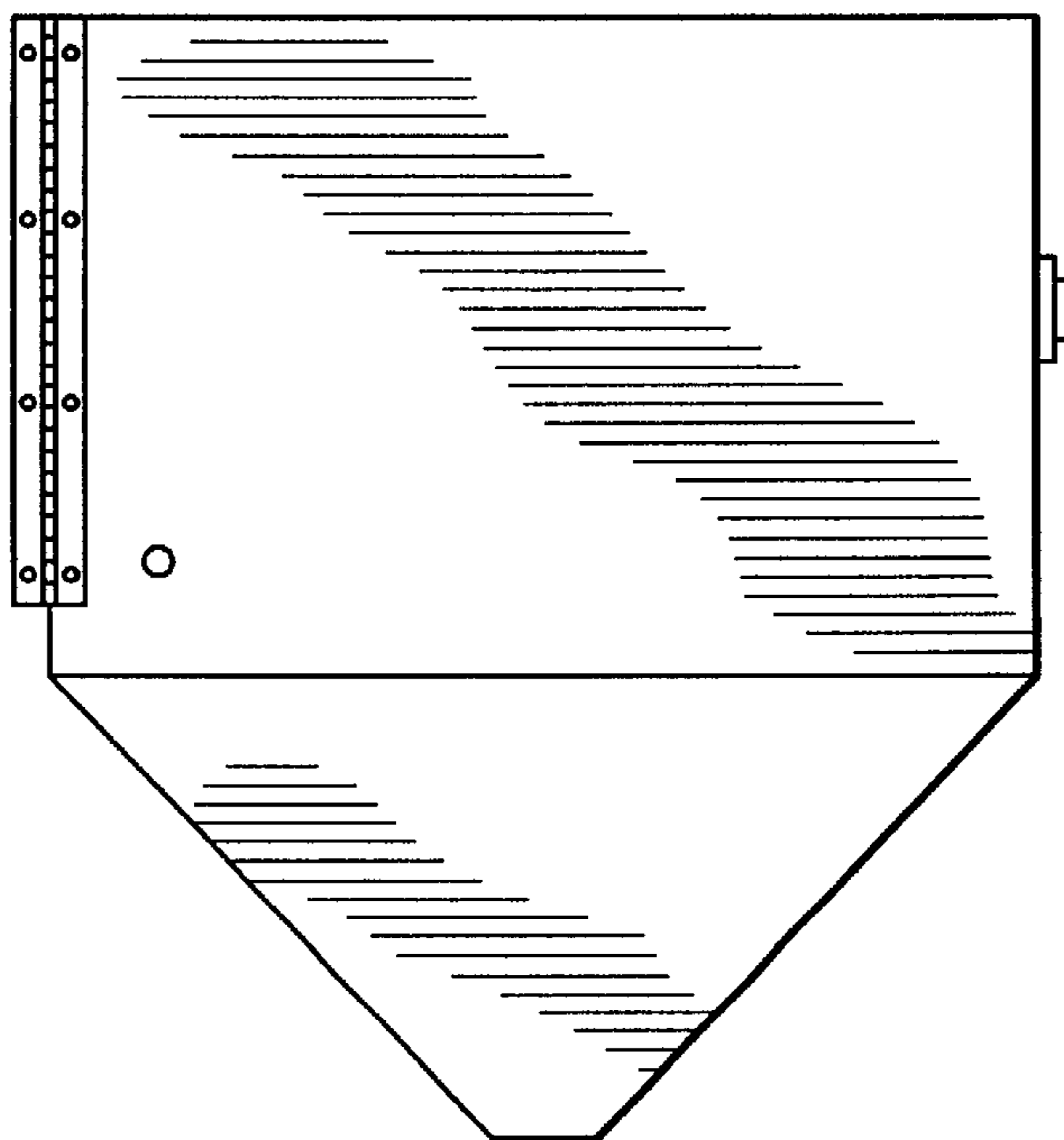


FIG. 5