



US00D445117S

(12) **United States Design Patent**
Heber et al.

(10) **Patent No.:** **US D445,117 S**

(45) **Date of Patent:** **** Jul. 17, 2001**

(54) **STATIONARY RECOVERY UNIT**

(75) Inventors: **Mark D. Heber**, West Unity; **Marc Rosone**, Bryan, both of OH (US); **Howard S. Ryan**, Skaneateles, NY (US)

(73) Assignee: **SPX Corporation**, Muskegon, MI (US)
(**) Term: **14 Years**

5,231,841 * 8/1993 McClelland et al. 62/77
* cited by examiner
Primary Examiner—Sandra L. Morris
(74) *Attorney, Agent, or Firm*—Pepper Hamilton LLP

(57) **CLAIM**

The ornamental design for a stationary recovery unit, as shown and described.

DESCRIPTION

(21) Appl. No.: **29/113,144**
(22) Filed: **Oct. 29, 1999**
(51) **LOC (7) Cl.** **15-07**
(52) **U.S. Cl.** **D15/79; D23/332**
(58) **Field of Search** **D15/79, 89; D23/207, D23/209, 332, 342; 62/77, 79, 149**

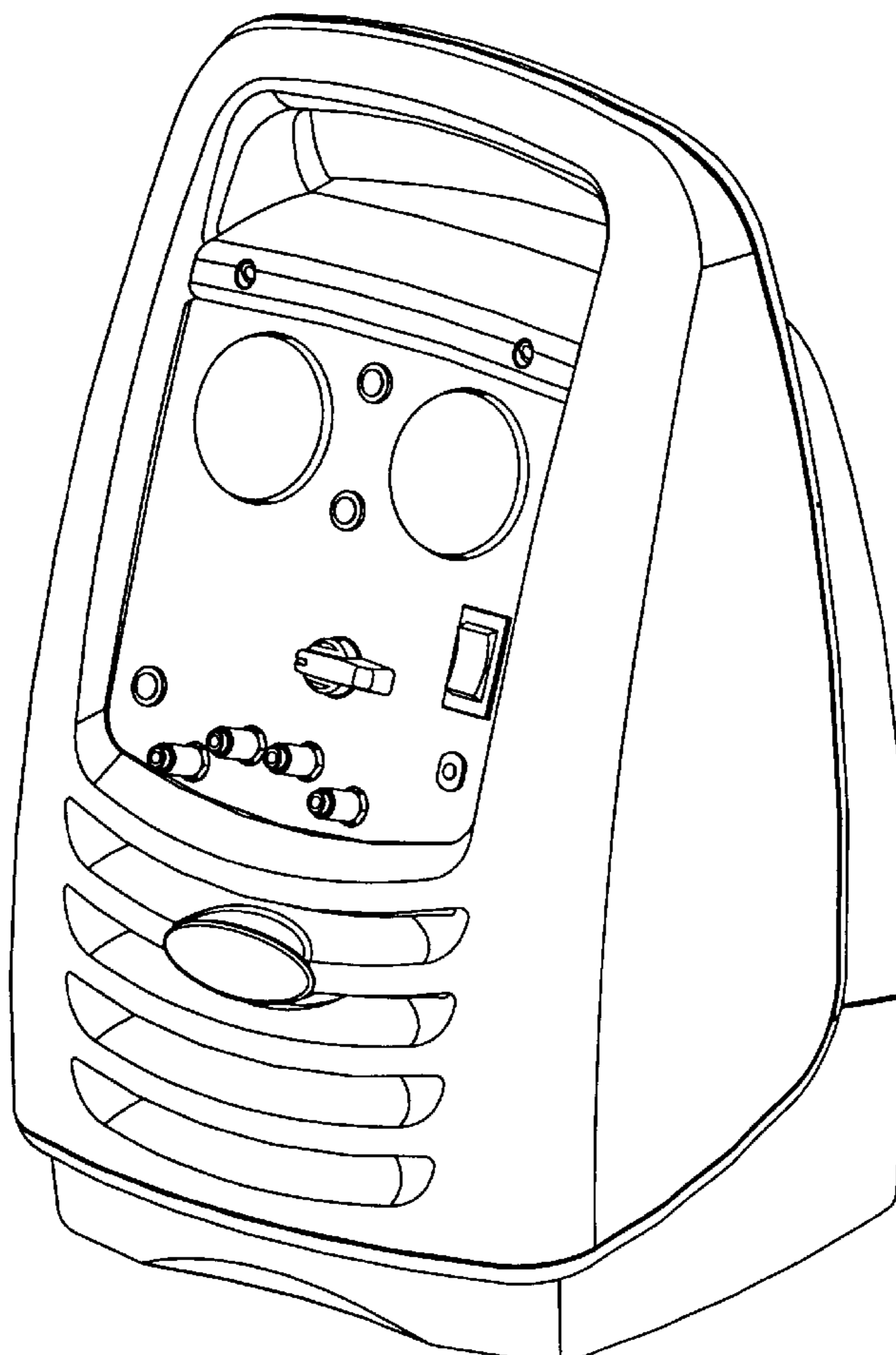
FIG. 1 is a front perspective view of the stationary recovery unit;
FIG. 2 is a rear perspective view of the stationary recovery unit of FIG. 1;
FIG. 3 is a front elevational view of the stationary recovery unit of FIG. 1;
FIG. 4 is a side elevational view of the stationary recovery unit of FIG. 1;
FIG. 5 is a rear elevational view of the stationary recovery unit of FIG. 1;
FIG. 6 is a top plan view of the stationary recovery unit of FIG. 1; and,
FIG. 7 is a bottom plan view of the stationary recovery unit of FIG. 1.

(56) **References Cited**

U.S. PATENT DOCUMENTS

- D. 344,527 * 2/1994 Drago et al. D15/79
- D. 382,885 * 8/1997 Deiner et al. D15/79
- D. 394,499 * 5/1998 Bettag et al. D23/332
- D. 396,279 * 7/1998 Ediger et al. D23/332
- D. 433,346 * 11/2000 Evans et al. D10/75

1 Claim, 3 Drawing Sheets



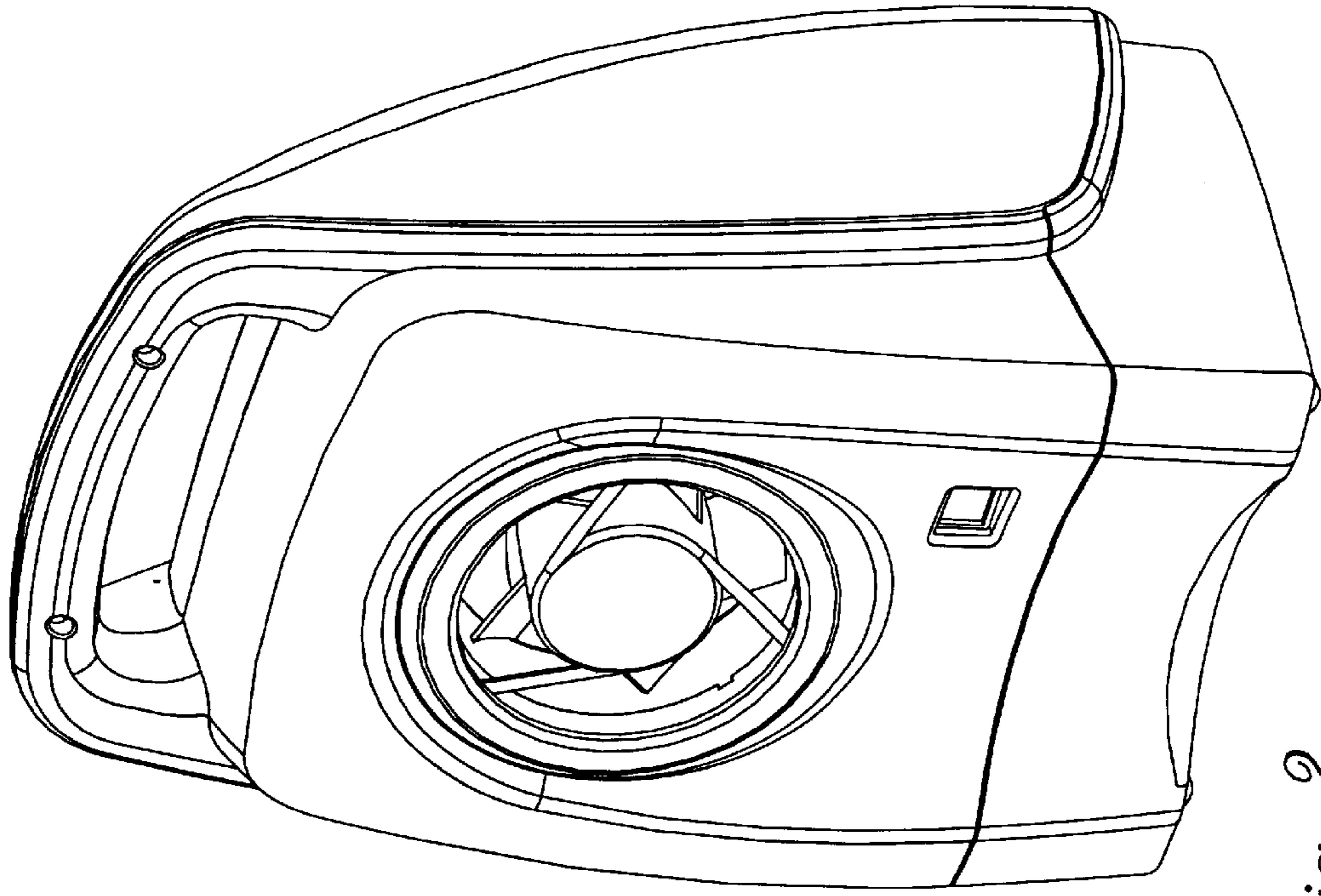


Fig. 2.

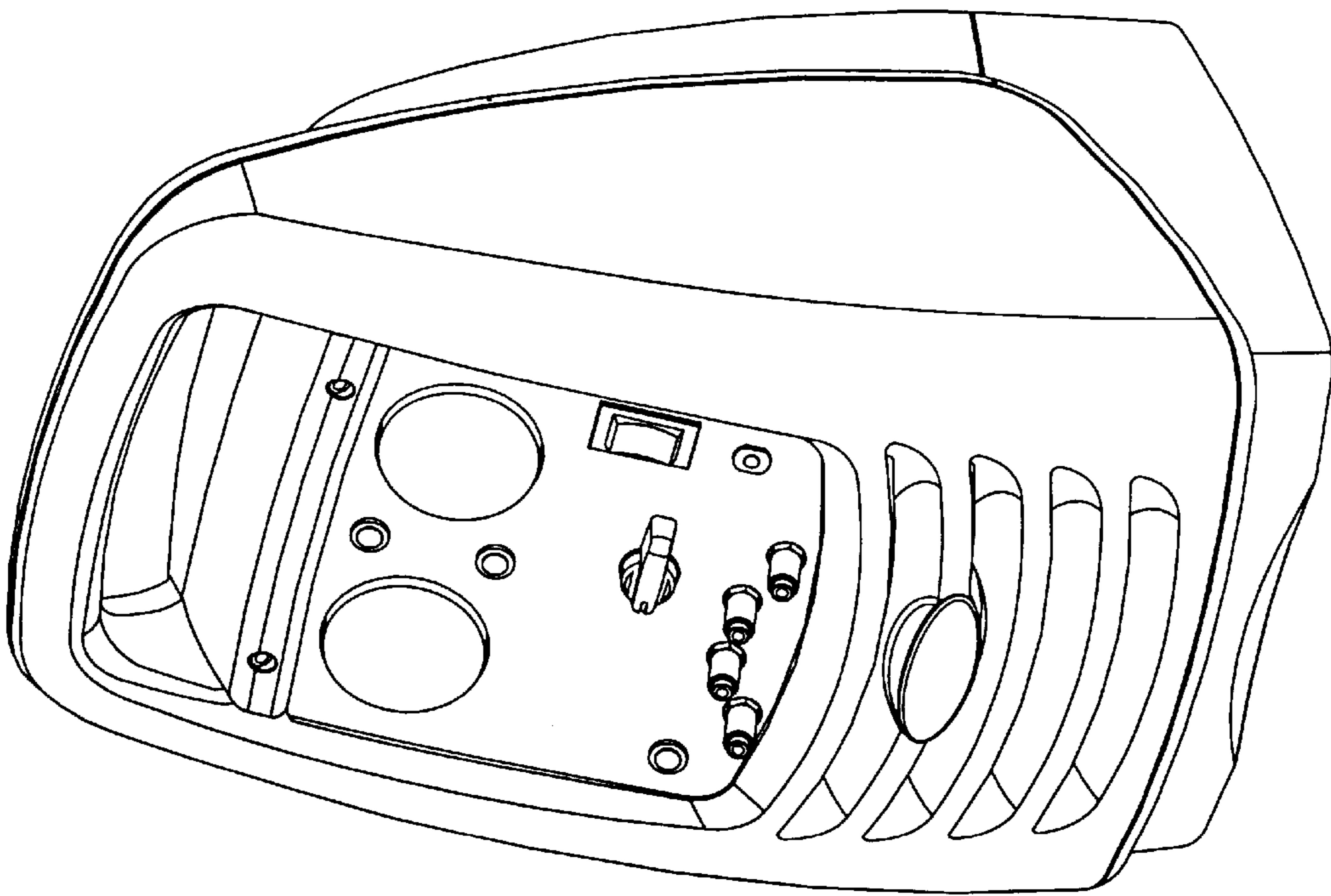


Fig. 1.

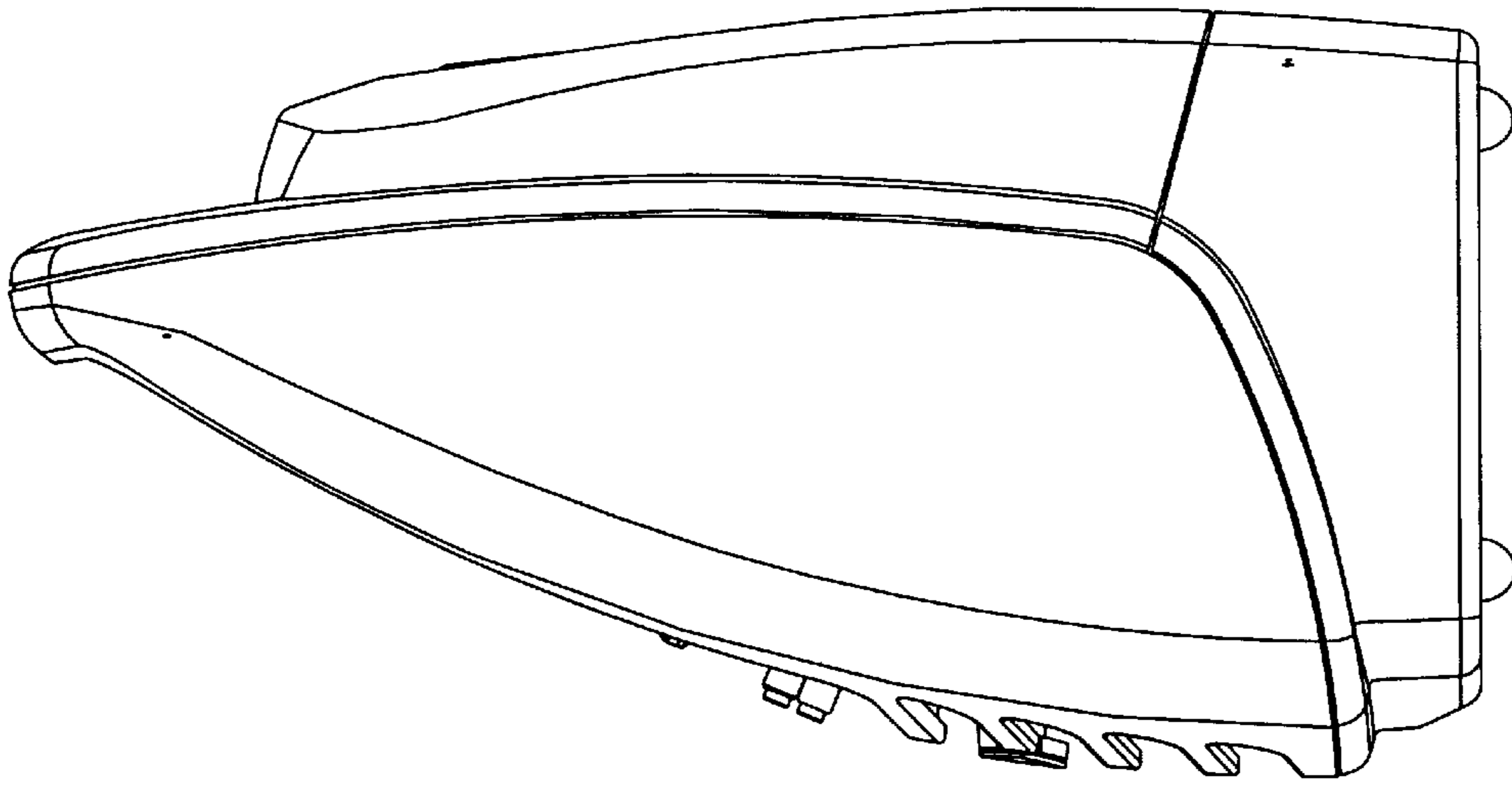


Fig. 4.

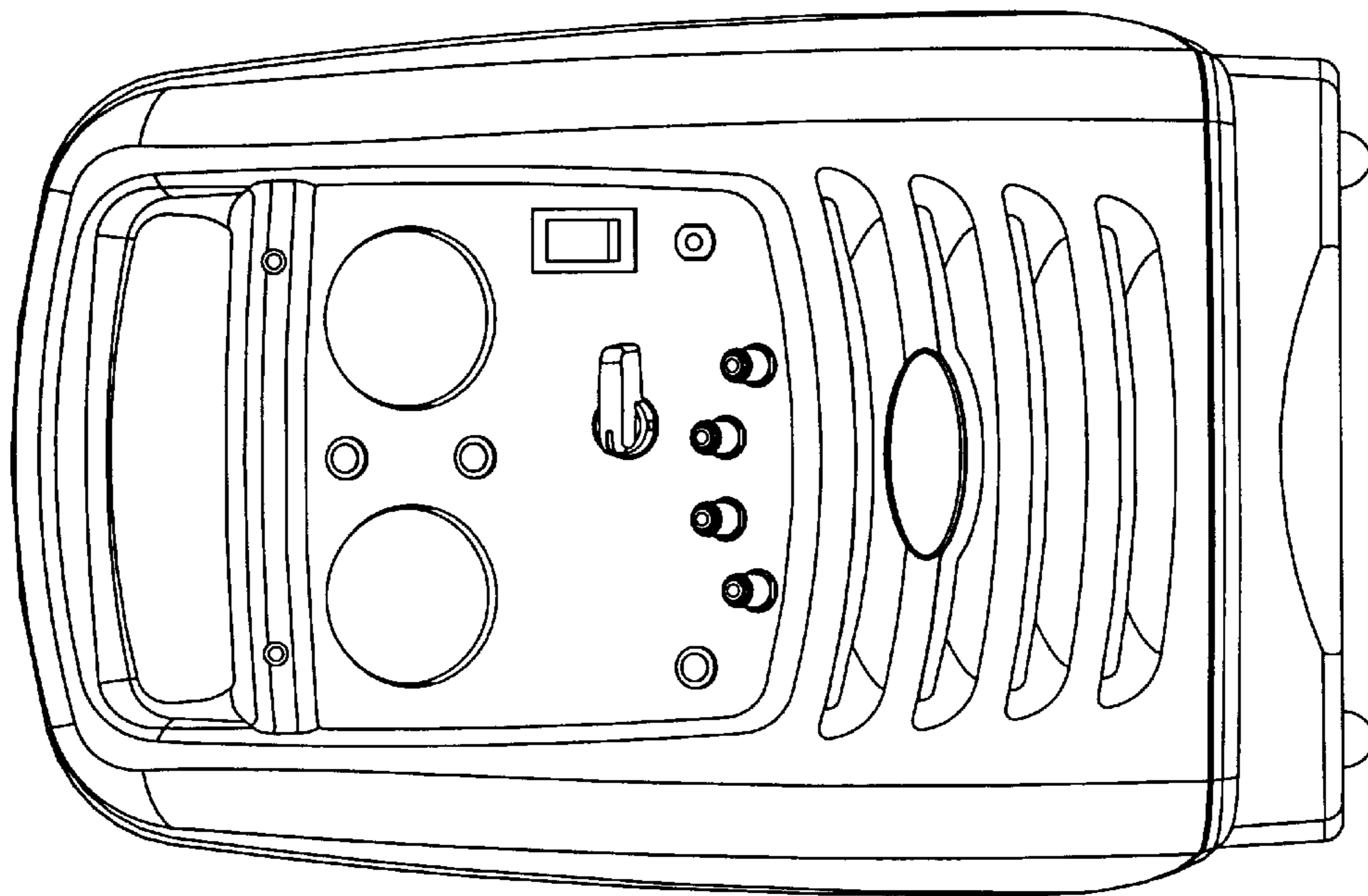


Fig. 3.

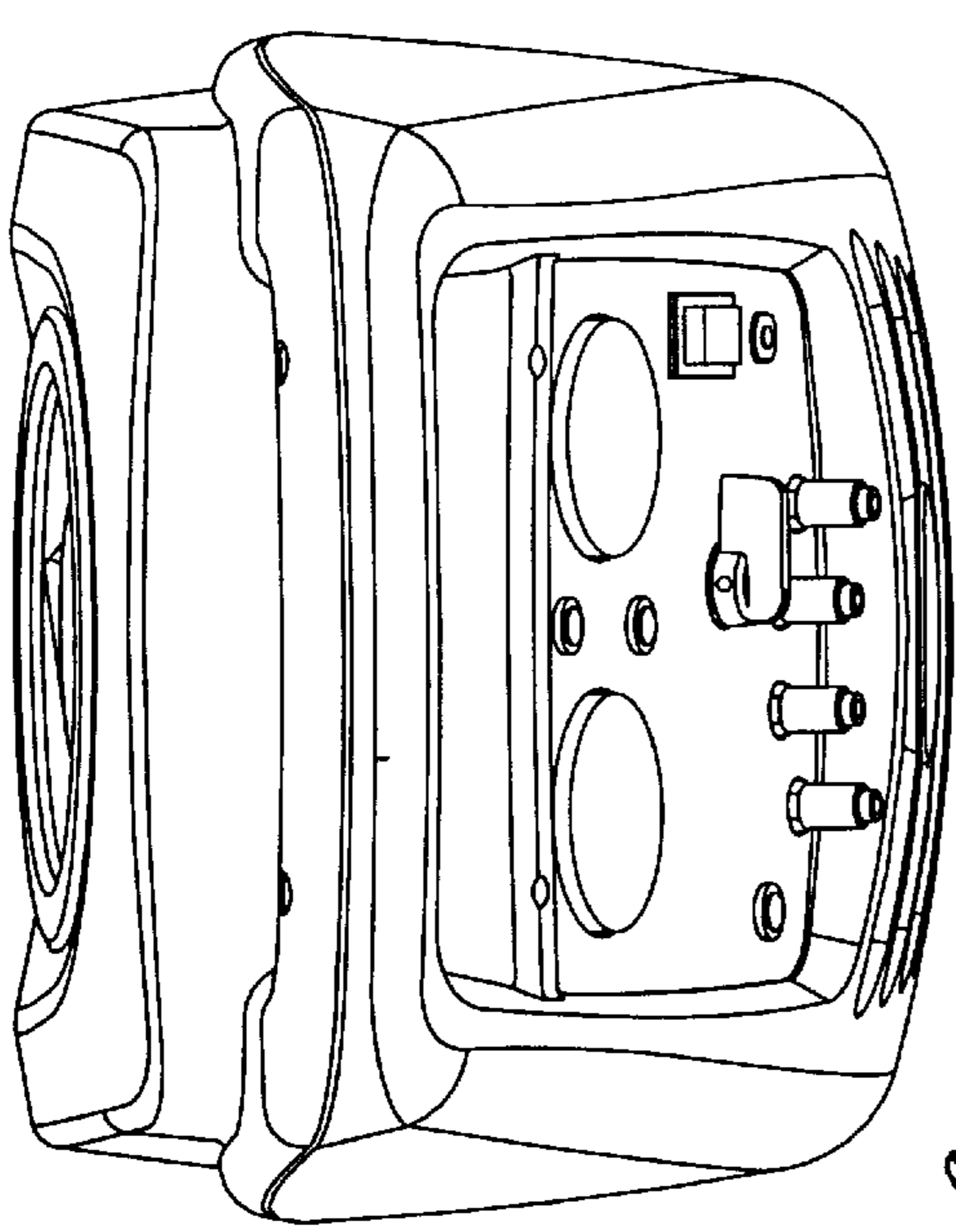


Fig. 6.

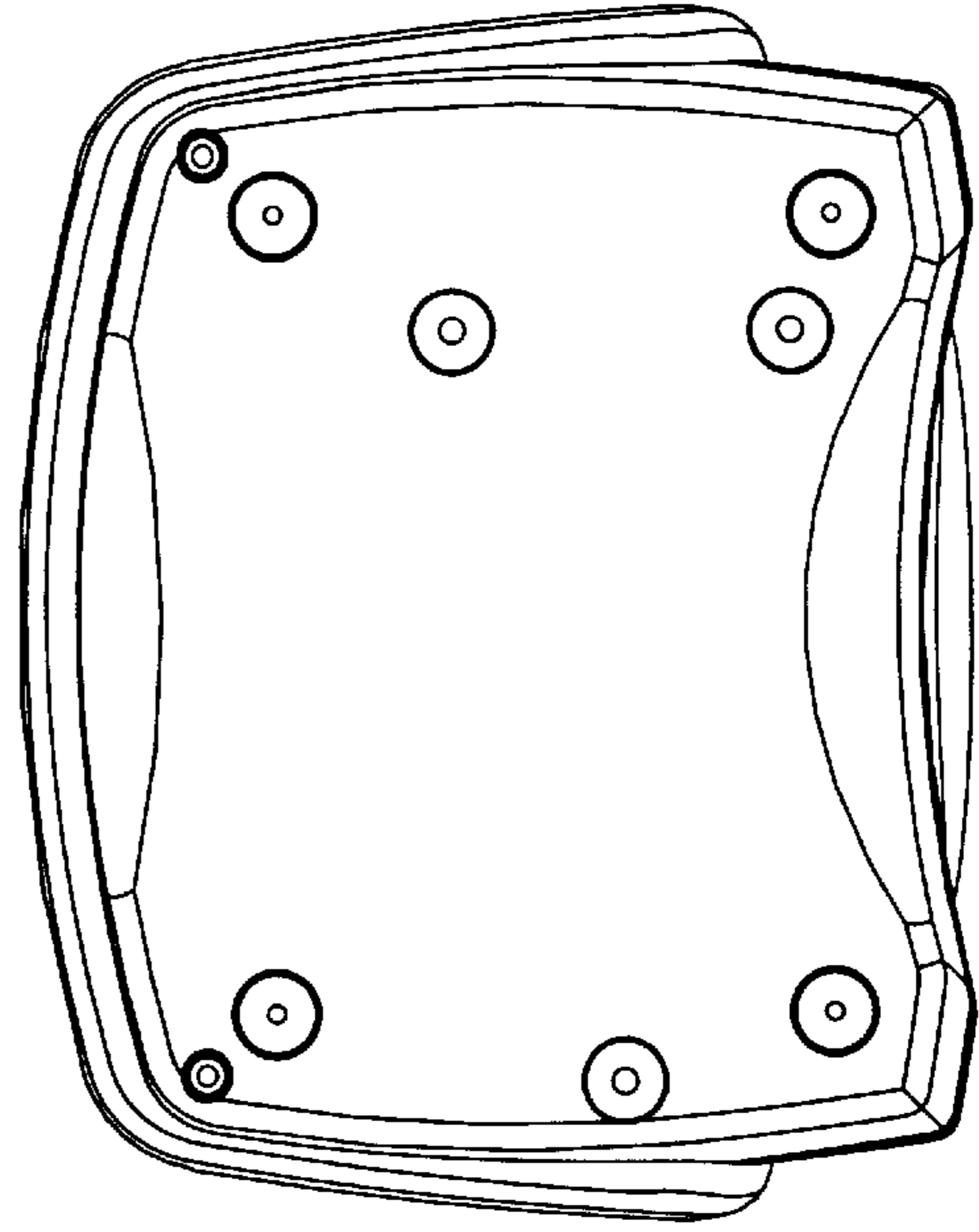


Fig. 7.

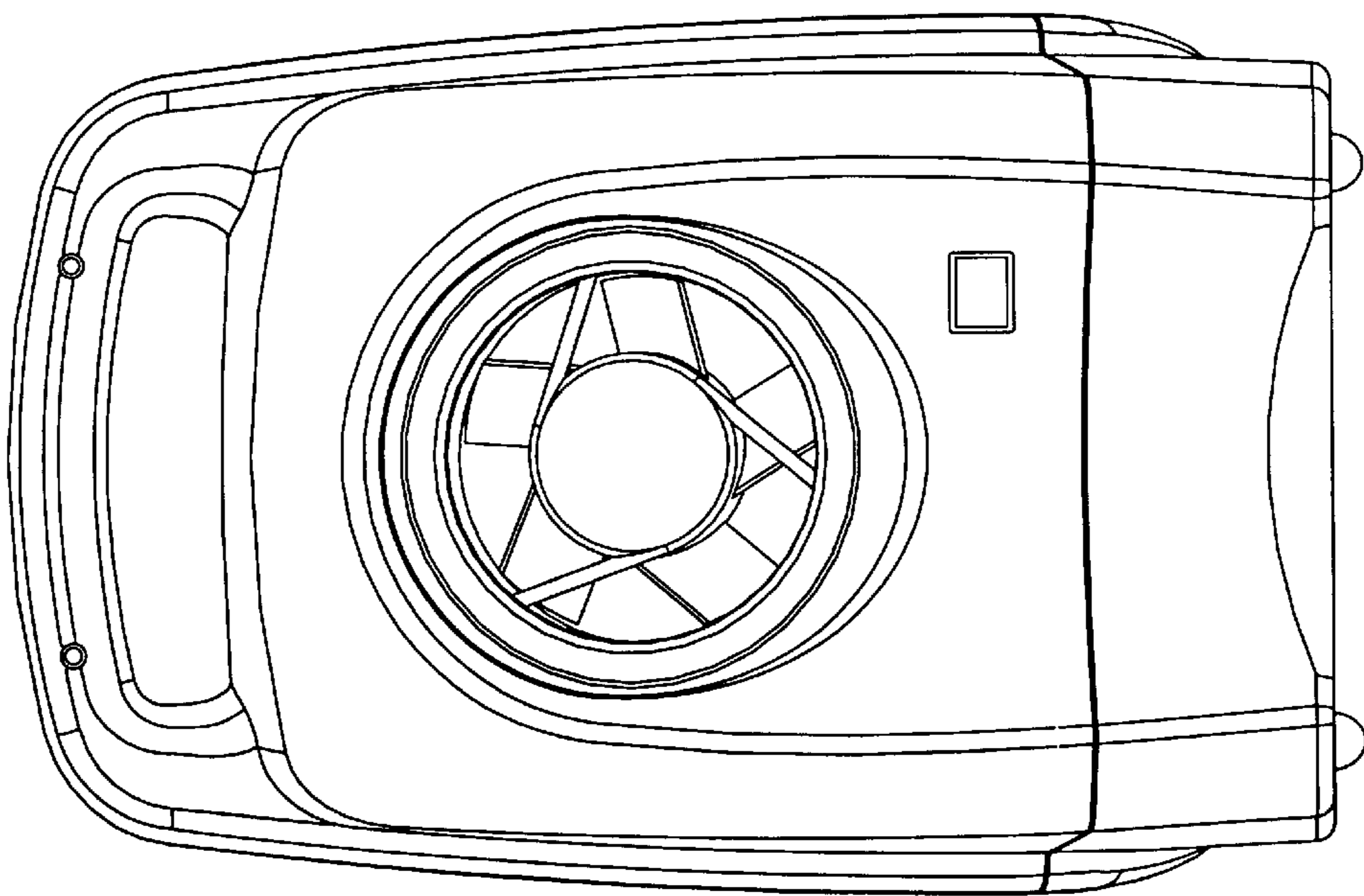


Fig. 5.