



US00D445116S

(12) **United States Design Patent**
Evans et al.

(10) **Patent No.:** **US D445,116 S**
(45) **Date of Patent:** **** Jul. 17, 2001**

(54) **PORTABLE RECOVERY CABINET**

D. 433,346 * 11/2000 Evans et al. D10/75

* cited by examiner

(75) Inventors: **Mike S. Evans**, Pioneer; **Christopher D. Manz**, Paulding, both of OH (US); **Howard S. Ryan**, Skaneateles, NY (US)

Primary Examiner—Sandra L. Morris
(74) *Attorney, Agent, or Firm*—Pepper Hamilton, LLP

(57) **CLAIM**

The ornamental design for a portable recovery cabinet, as shown and described.

(73) Assignee: **SPX Corporation**, Muskegon, MI (US)

DESCRIPTION

(**) Term: **14 Years**

FIG. 1 is a front perspective view of the portable recovery cabinet;

(21) Appl. No.: **29/113,138**

FIG. 2 is a rear perspective view of the portable recovery cabinet of FIG. 1;

(22) Filed: **Oct. 29, 1999**

FIG. 3 is a front elevational view of the portable recovery cabinet of FIG. 1;

(51) **LOC (7) Cl.** **15-07**

FIG. 4 is a right side elevational view of the portable recovery cabinet of FIG. 1;

(52) **U.S. Cl.** **D15/79; D23/332**

FIG. 5 is a left side elevational view of the portable recovery cabinet of FIG. 1;

(58) **Field of Search** D15/79, 89; D23/207, D23/209, 332, 342; 62/77, 79, 149

FIG. 6 is a rear elevational view of the portable recovery cabinet of FIG. 1;

(56) **References Cited**

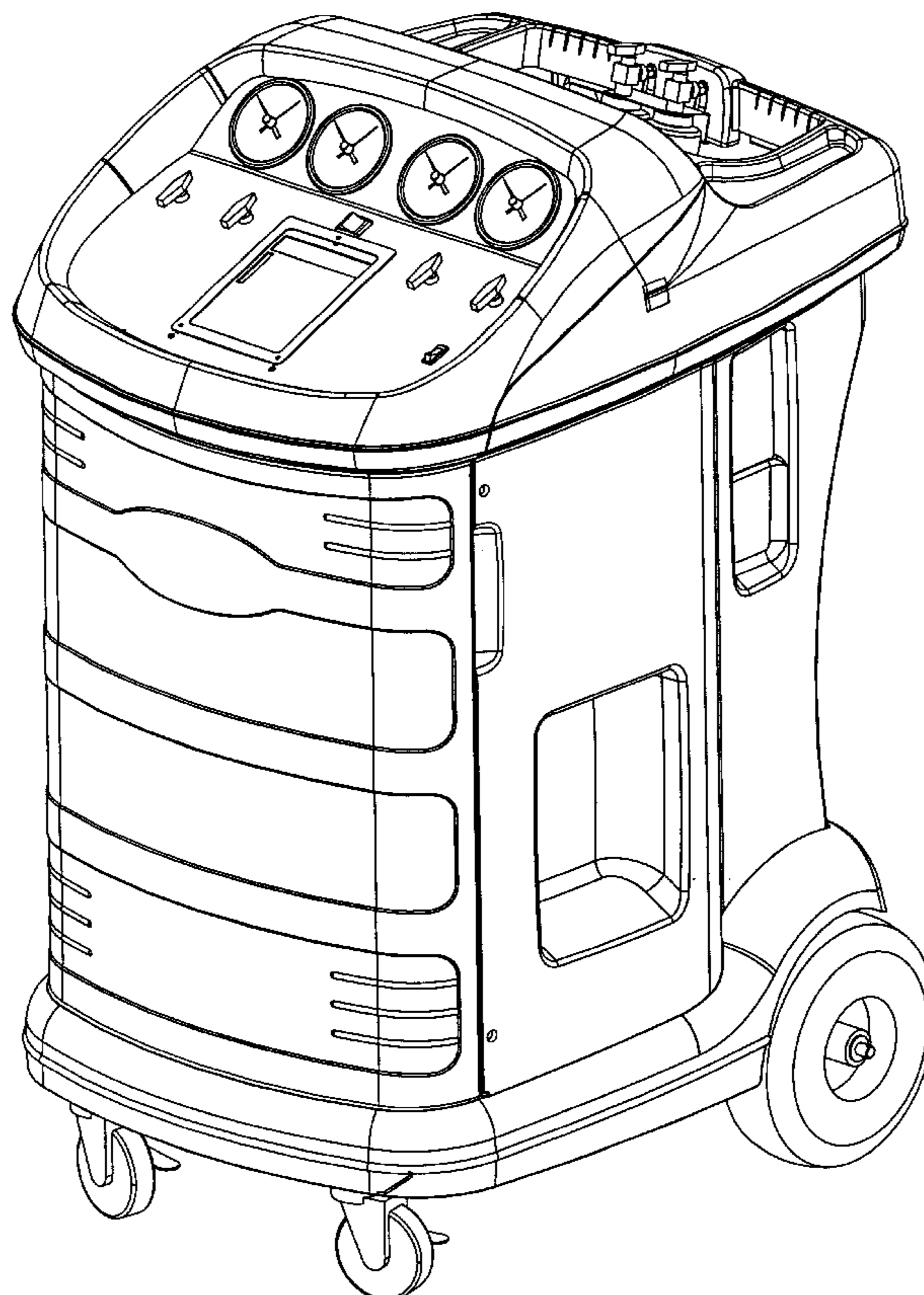
U.S. PATENT DOCUMENTS

Re. 33,212	*	5/1990	Lower et al.	62/149
D. 337,592	*	7/1993	Hider et al.	D15/79
D. 344,527	*	2/1994	Drago et al.	D15/79
D. 359,055	*	6/1995	Drago et al.	D15/79
D. 382,885	*	8/1997	Diener et al.	D15/79
D. 394,499	*	5/1998	Bettag et al.	D23/332

FIG. 7 is a top plan view of the portable recovery cabinet of FIG. 1; and,

FIG. 8 is bottom plan view of the portable recovery cabinet of FIG. 1.

1 Claim, 5 Drawing Sheets



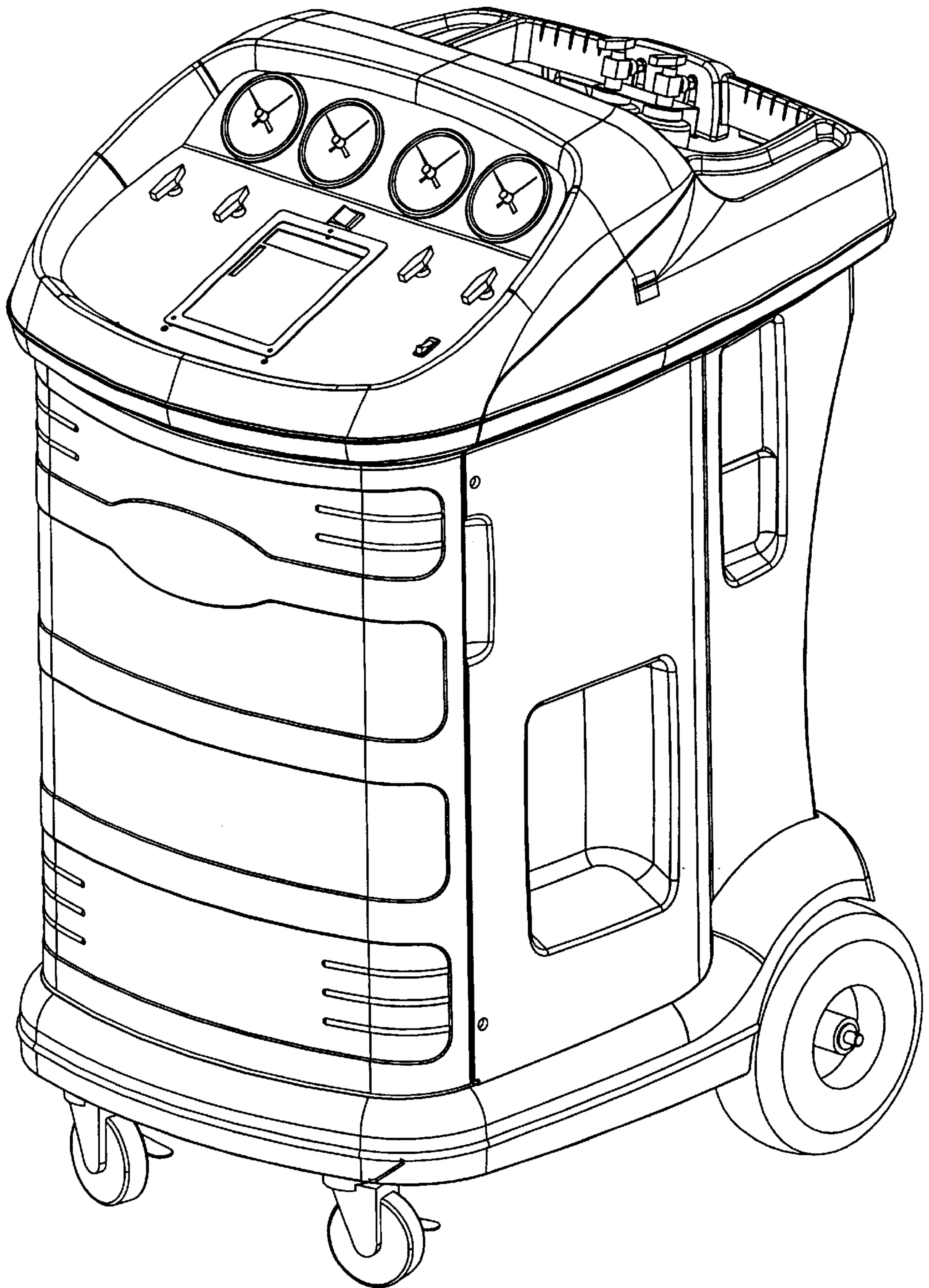


Fig. 1.

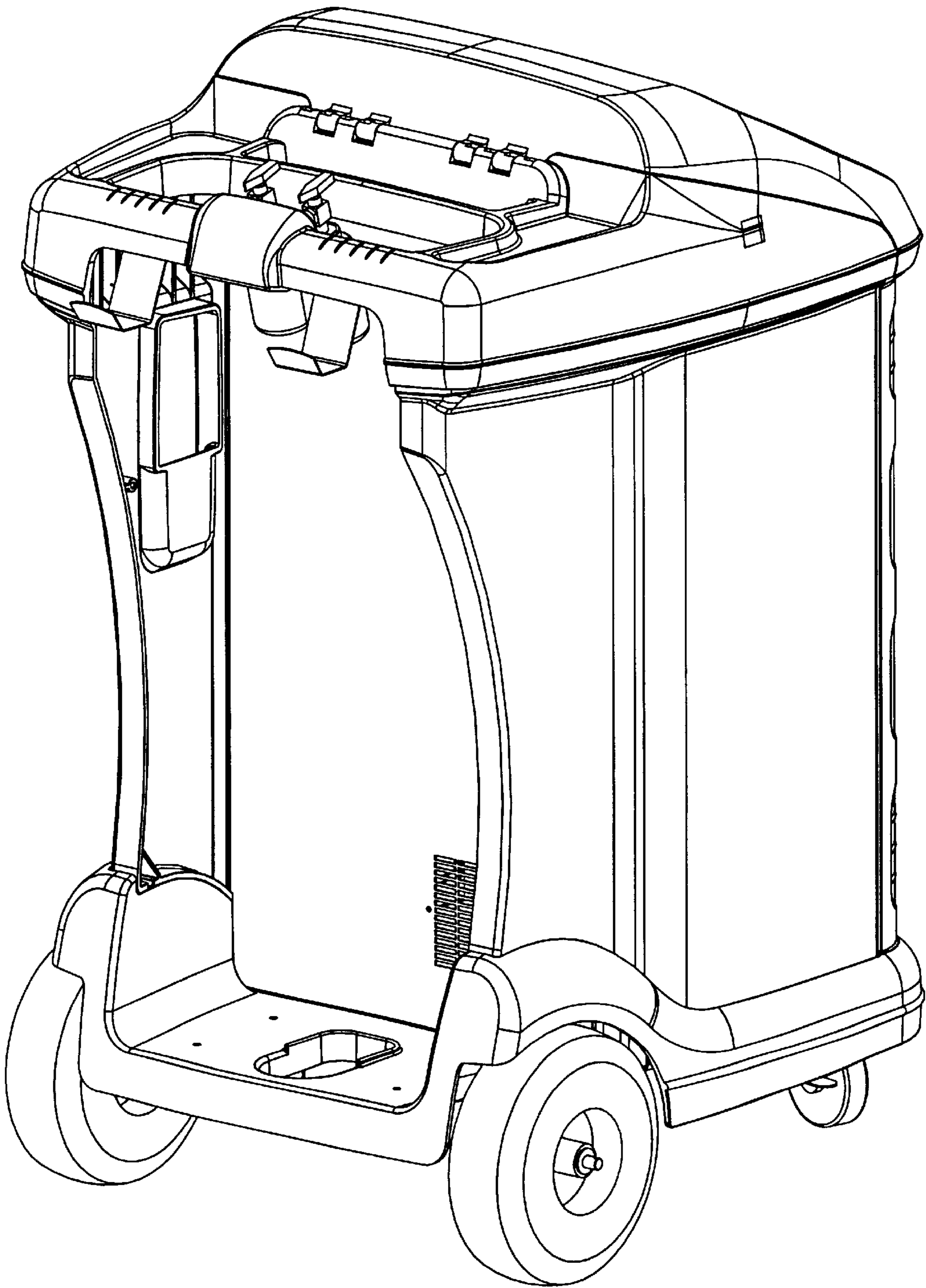


Fig. 2.

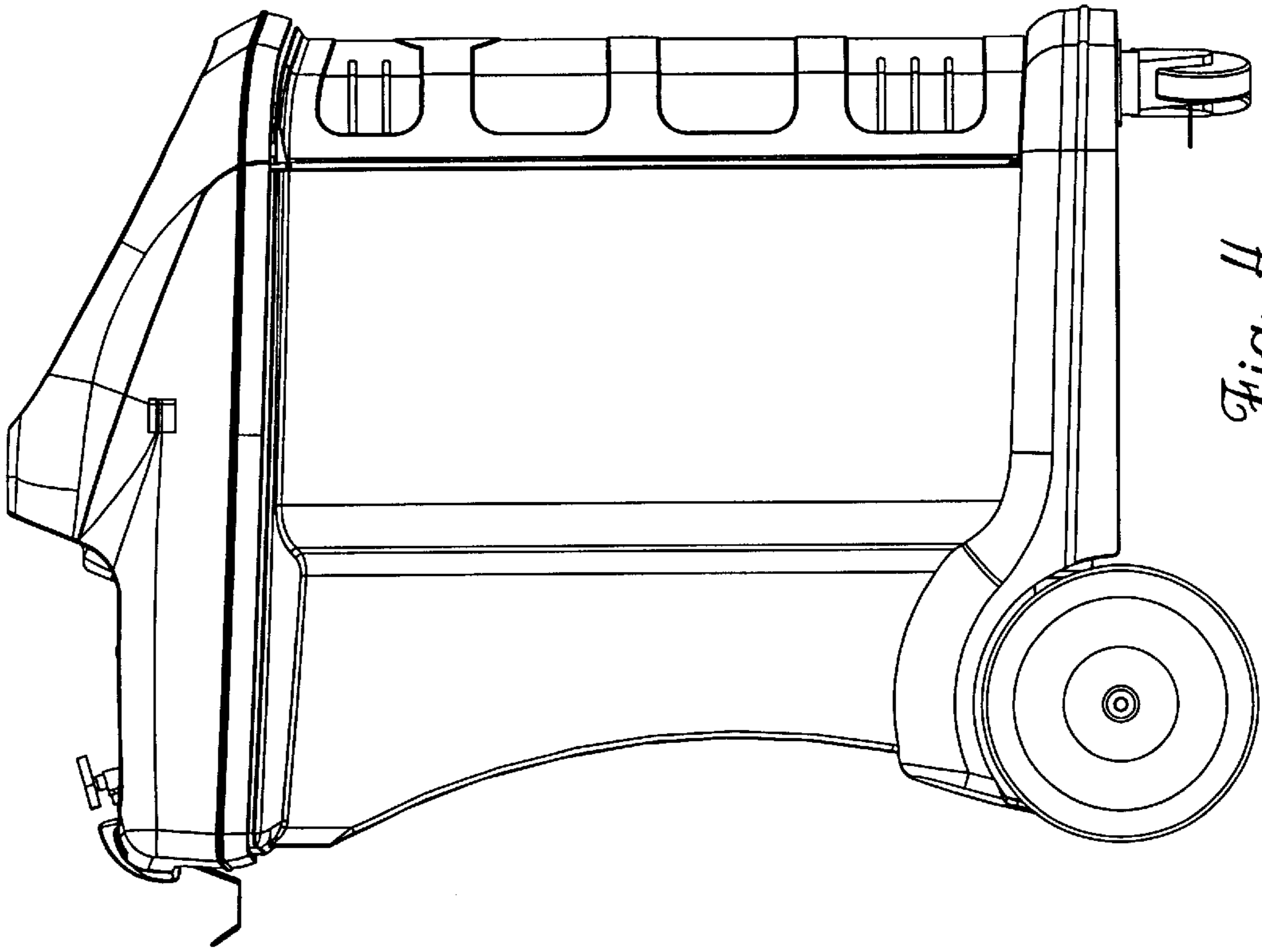


Fig. 4.

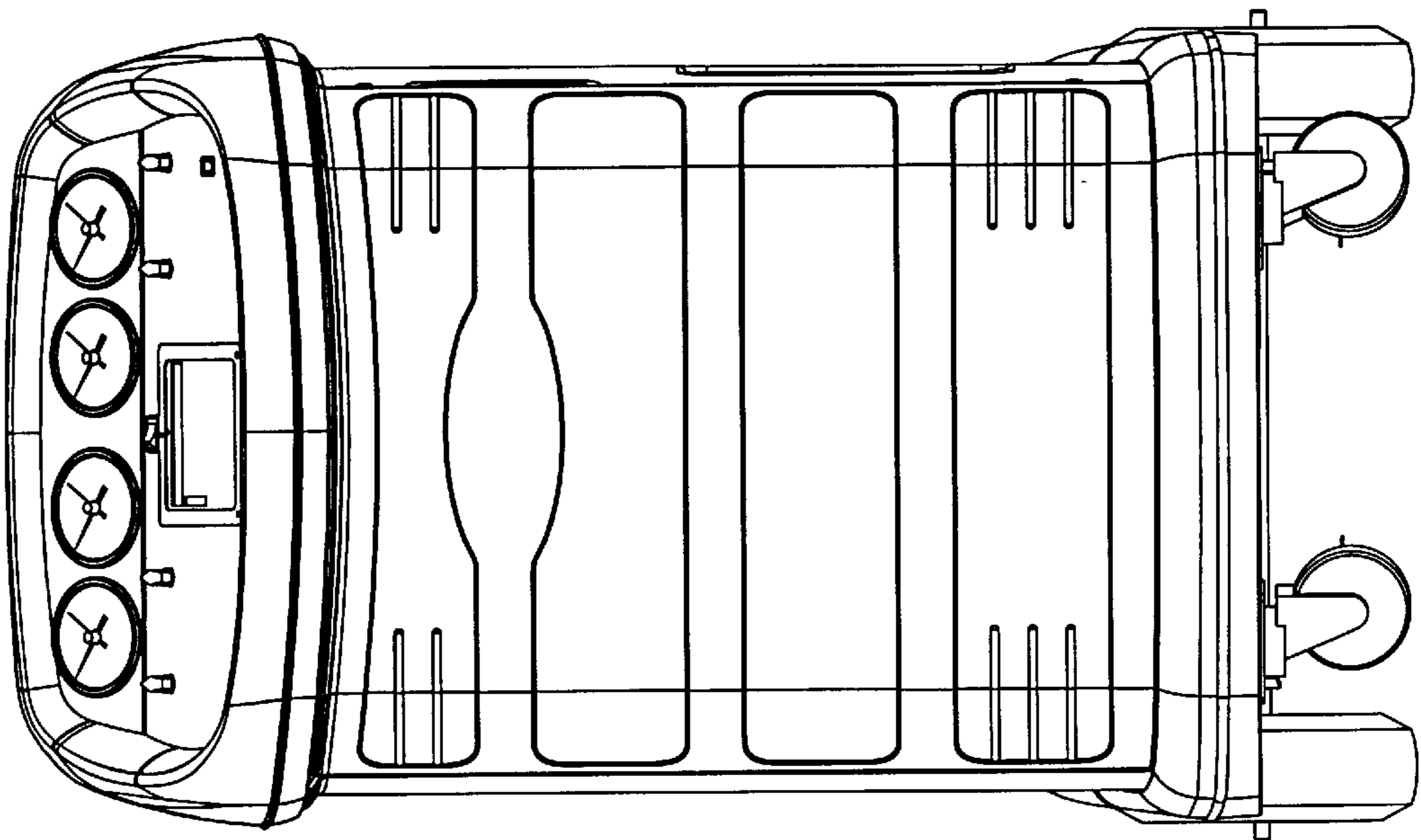


Fig. 3.

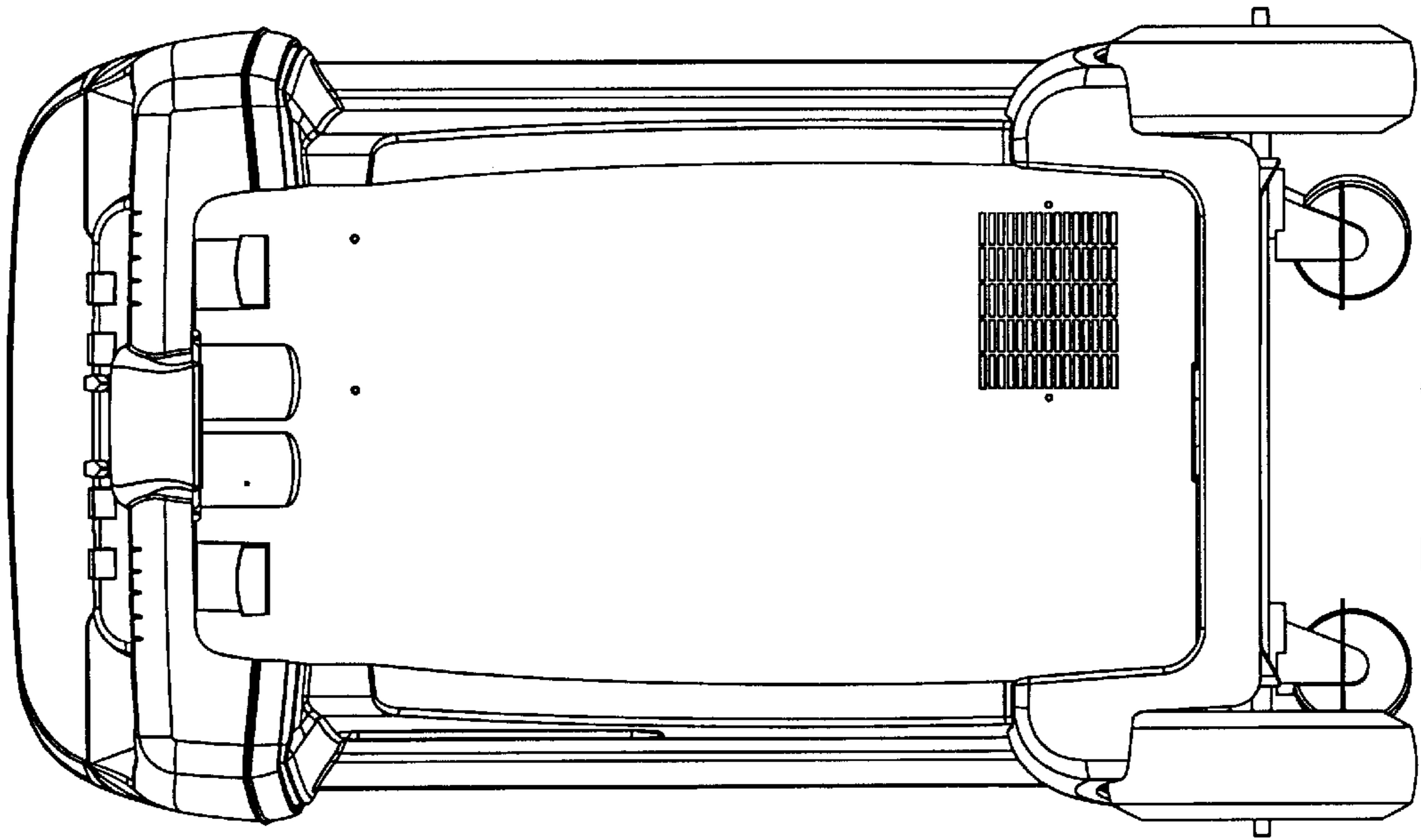


Fig. 6.

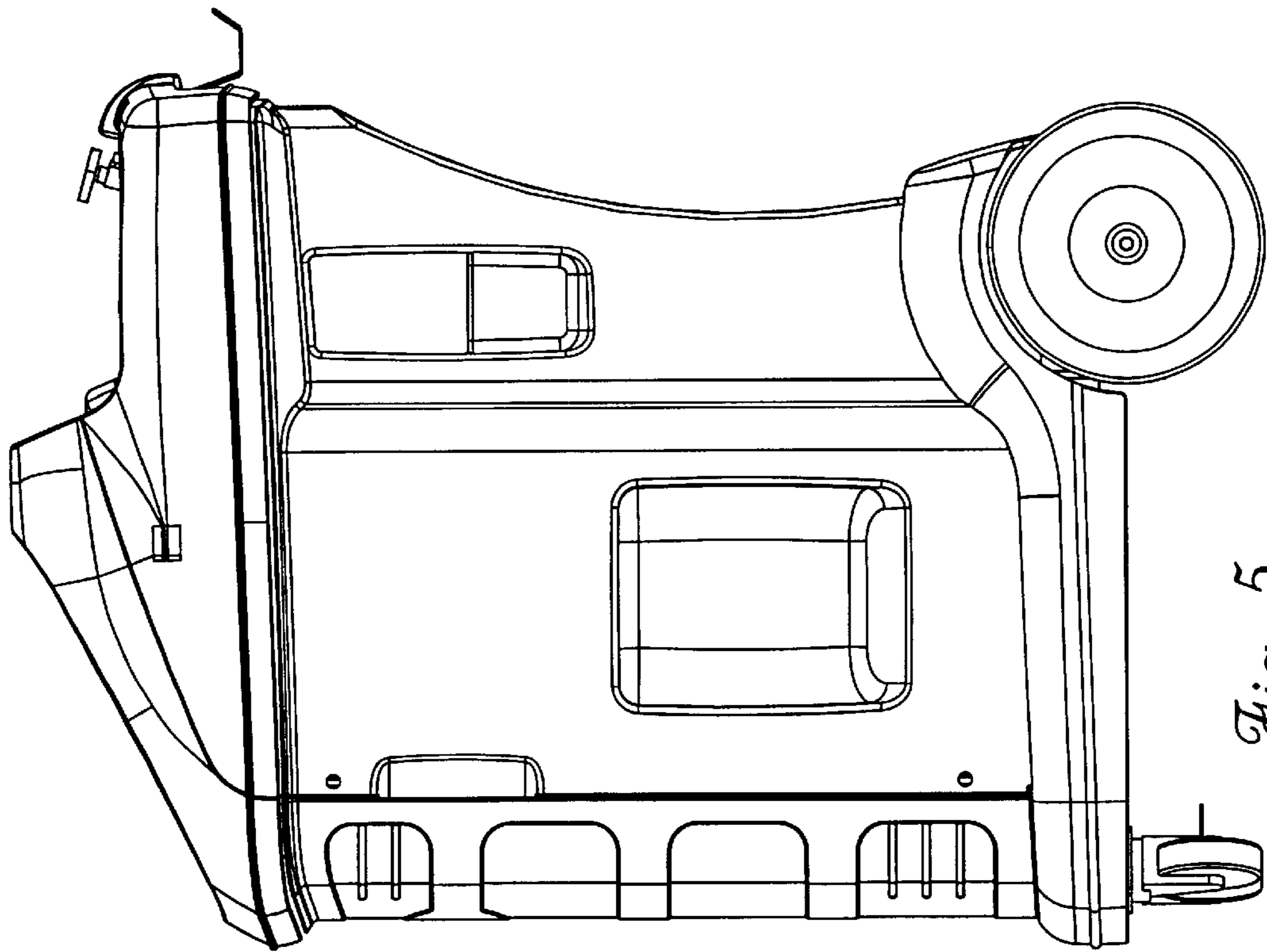


Fig. 5.

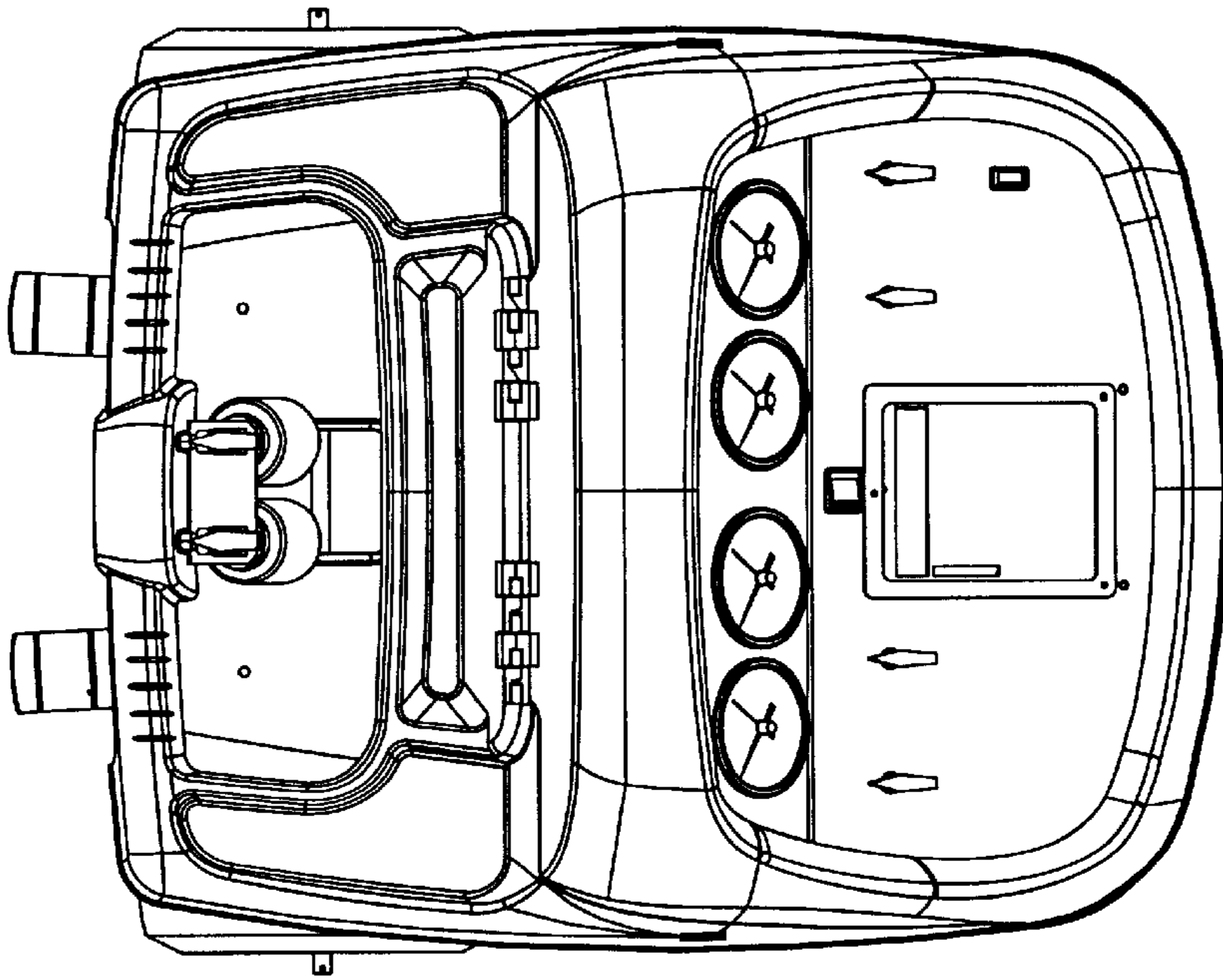


Fig. 7.

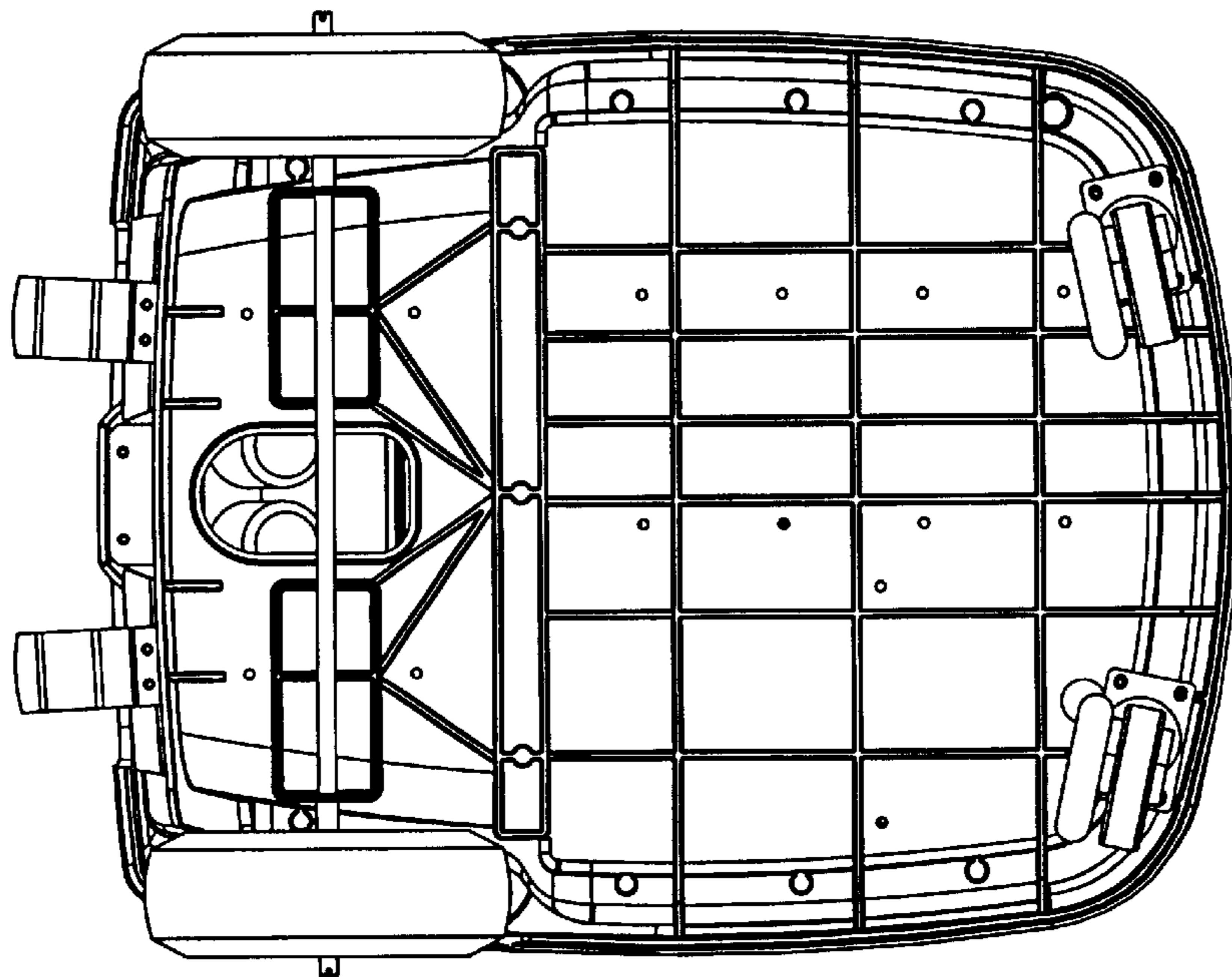


Fig. 8.