



US00D445115S

(12) **United States Design Patent**
Hutchinson et al.

(10) **Patent No.:** **US D445,115 S**

(45) **Date of Patent:** **** Jul. 17, 2001**

(54) **PORTABLE AIR COMPRESSOR ENCLOSURE**

D. 391,579 * 3/1998 Myers D15/7
2,733,661 * 2/1956 Surgi 417/234

(75) Inventors: **William Roger Hutchinson,**
Clemmons; **Jay Kinsley Fording,**
Matthews, both of NC (US); **Thomas**
A. Flanagan, St. Louis Park, MN (US)

* cited by examiner

Primary Examiner—Ralf Seifert

(74) *Attorney, Agent, or Firm*—Michael Best & Friedrich
LLP

(73) Assignee: **Ingersoll-Rand Company,** Woodcliff
Lake, NJ (US)

(57) **CLAIM**

(**) Term: **14 Years**

We claim the ornamental design for a portable air compressor enclosure, as shown and described in FIGS. 1-7.

(21) Appl. No.: **29/124,092**

DESCRIPTION

(22) Filed: **May 31, 2000**

FIG. 1 is a left-side and front perspective view of a portable air compressor enclosure of the claimed design;

(51) **LOC (7) Cl.** **15-02**

FIG. 2 is a right side view thereof;

(52) **U.S. Cl.** **D15/9**

FIG. 3 is a left side view thereof;

(58) **Field of Search** D15/7-9; 322/1;

FIG. 4 is a front view thereof;

290/1 R, 4 A; 280/63; 74/16; 417/234,
313, 319

FIG. 5 is a rear view thereof;

FIG. 6 is a top plan view thereof; and,

FIG. 7 is a right-side and rear perspective view thereof.

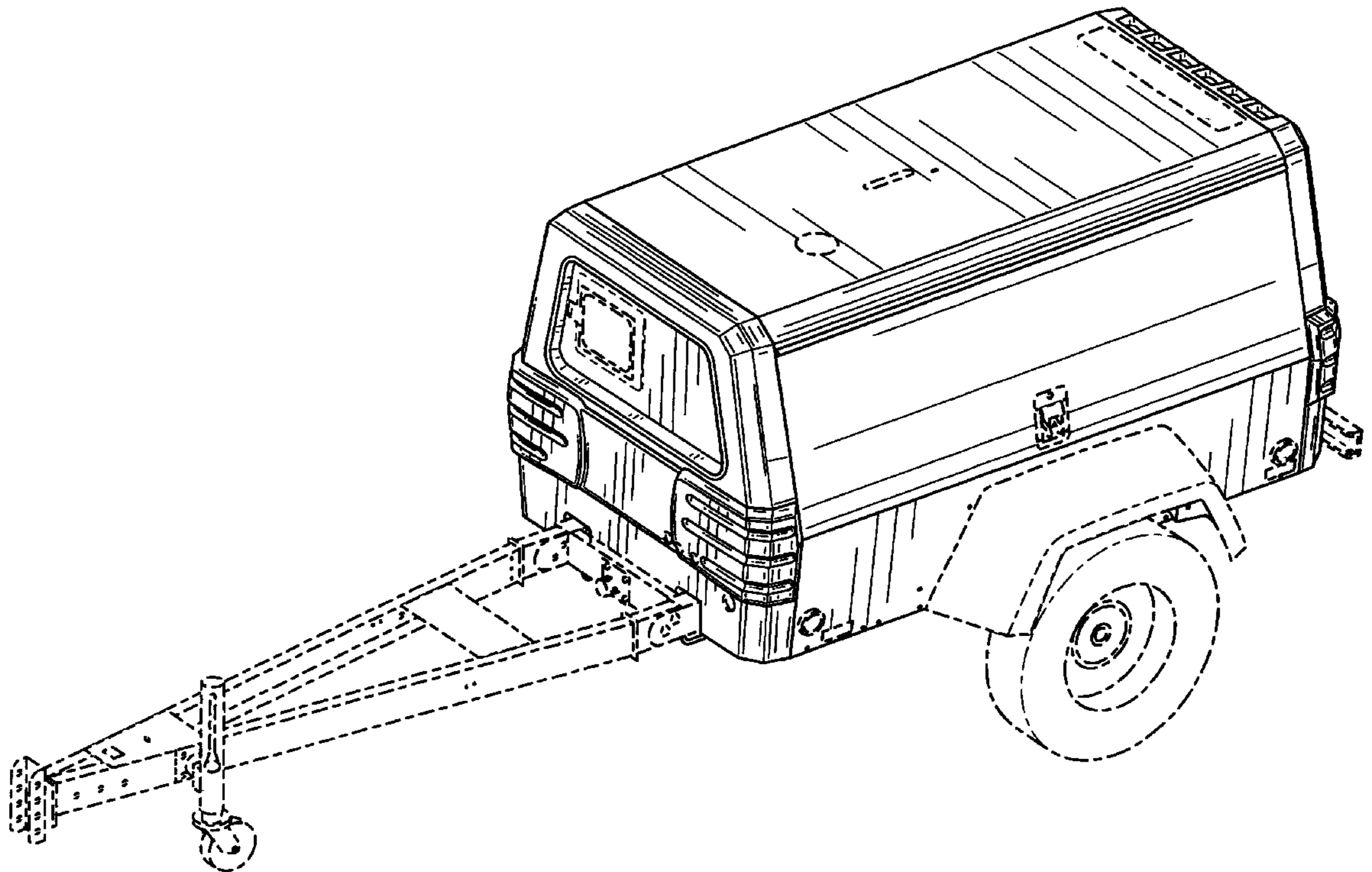
(56) **References Cited**

The ornamental design which is claimed is shown in solid lines in the drawings. The broken lines in the drawings are for illustrative purposes only and form no part of the claimed design. The bottom of the design is flat and unornamented.

U.S. PATENT DOCUMENTS

- D. 229,717 * 12/1973 Ixon D15/7
- D. 249,265 * 9/1978 Nanjo D15/9
- D. 387,778 * 12/1997 Goodman et al. D15/9

1 Claim, 7 Drawing Sheets



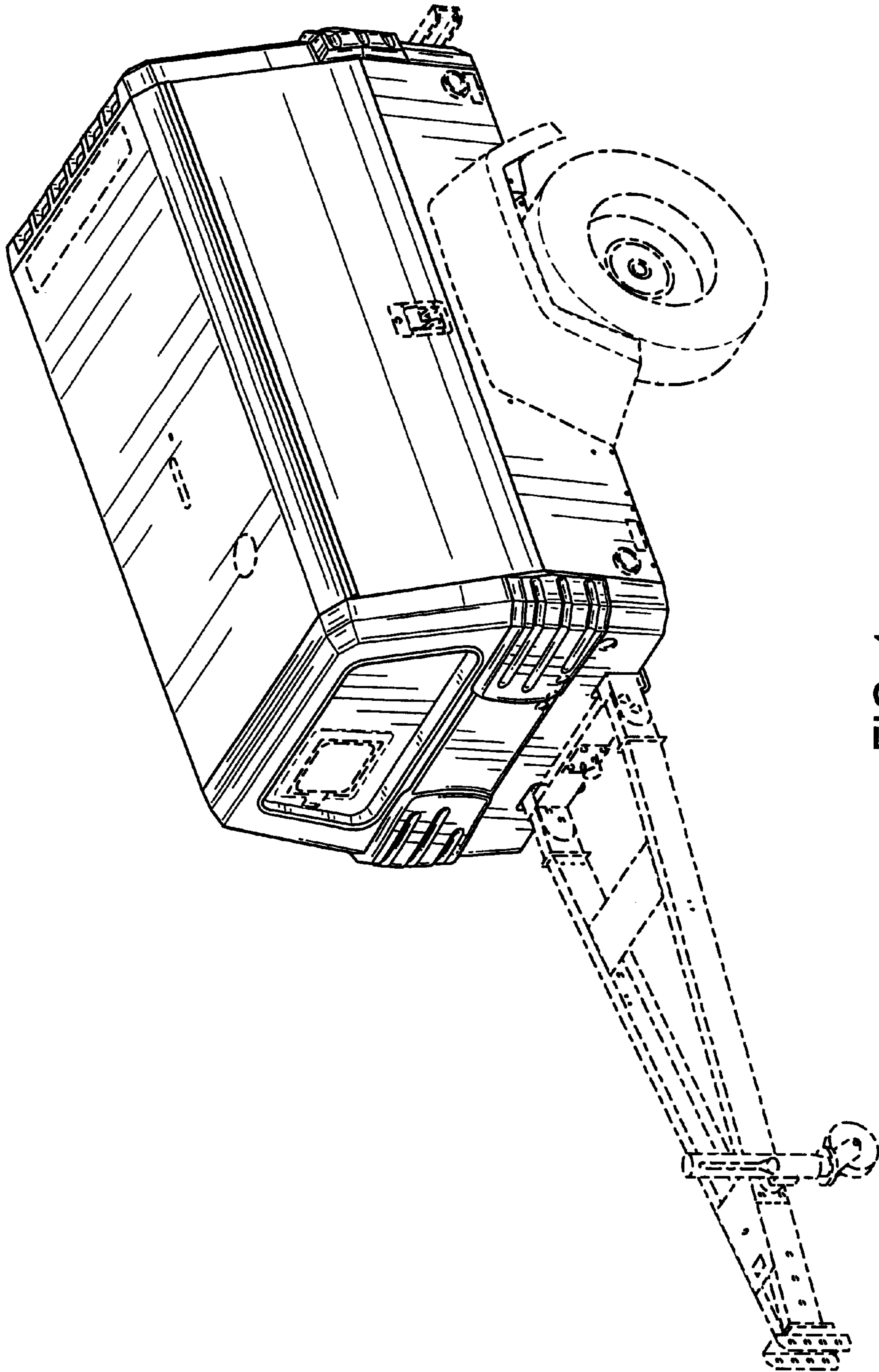


FIG. 1

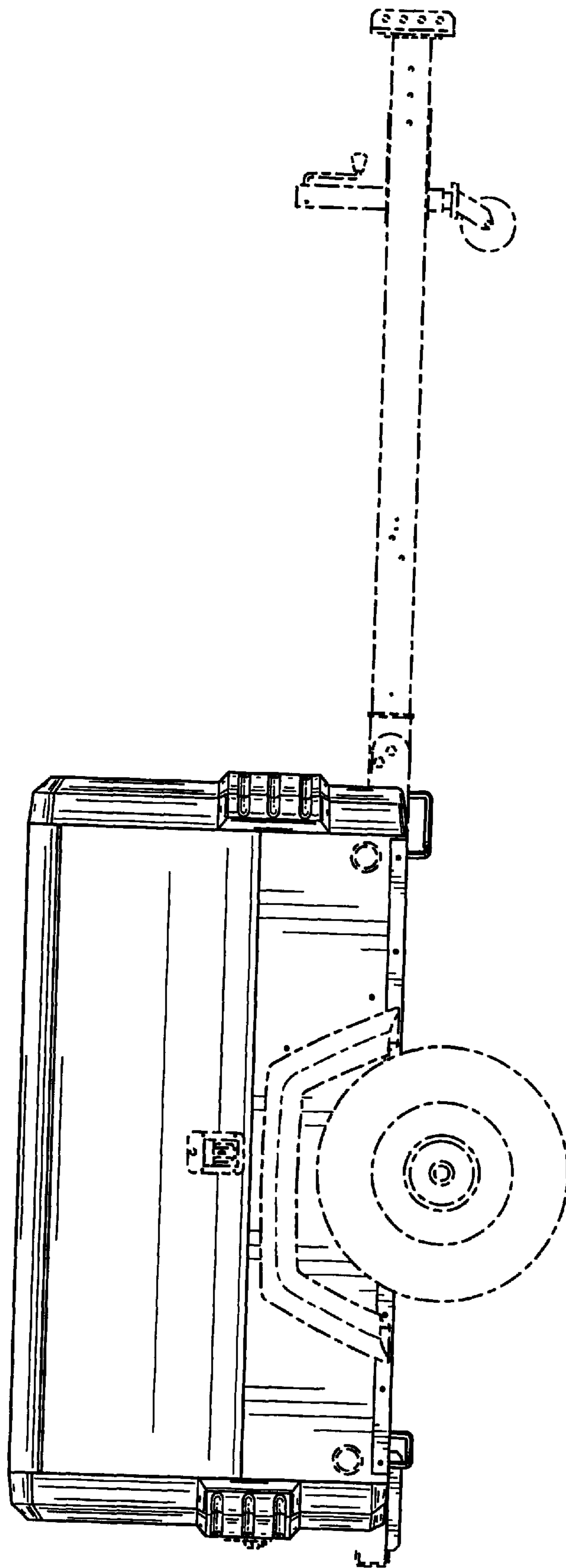


FIG. 2

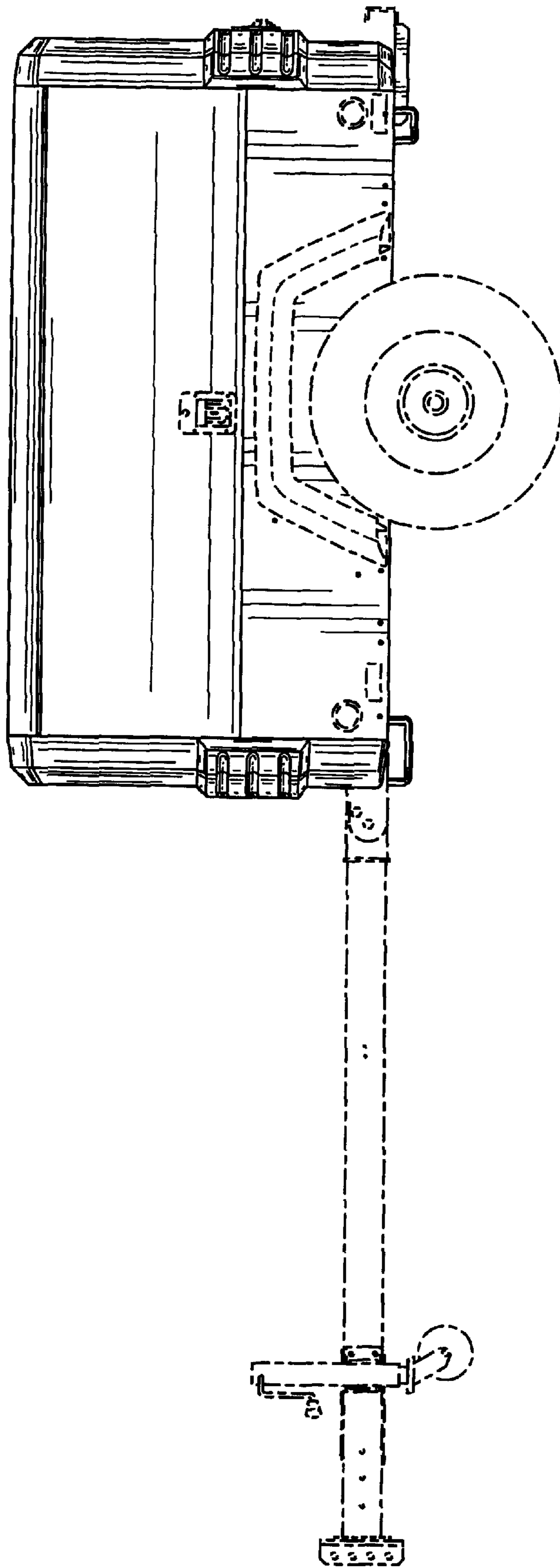


FIG. 3

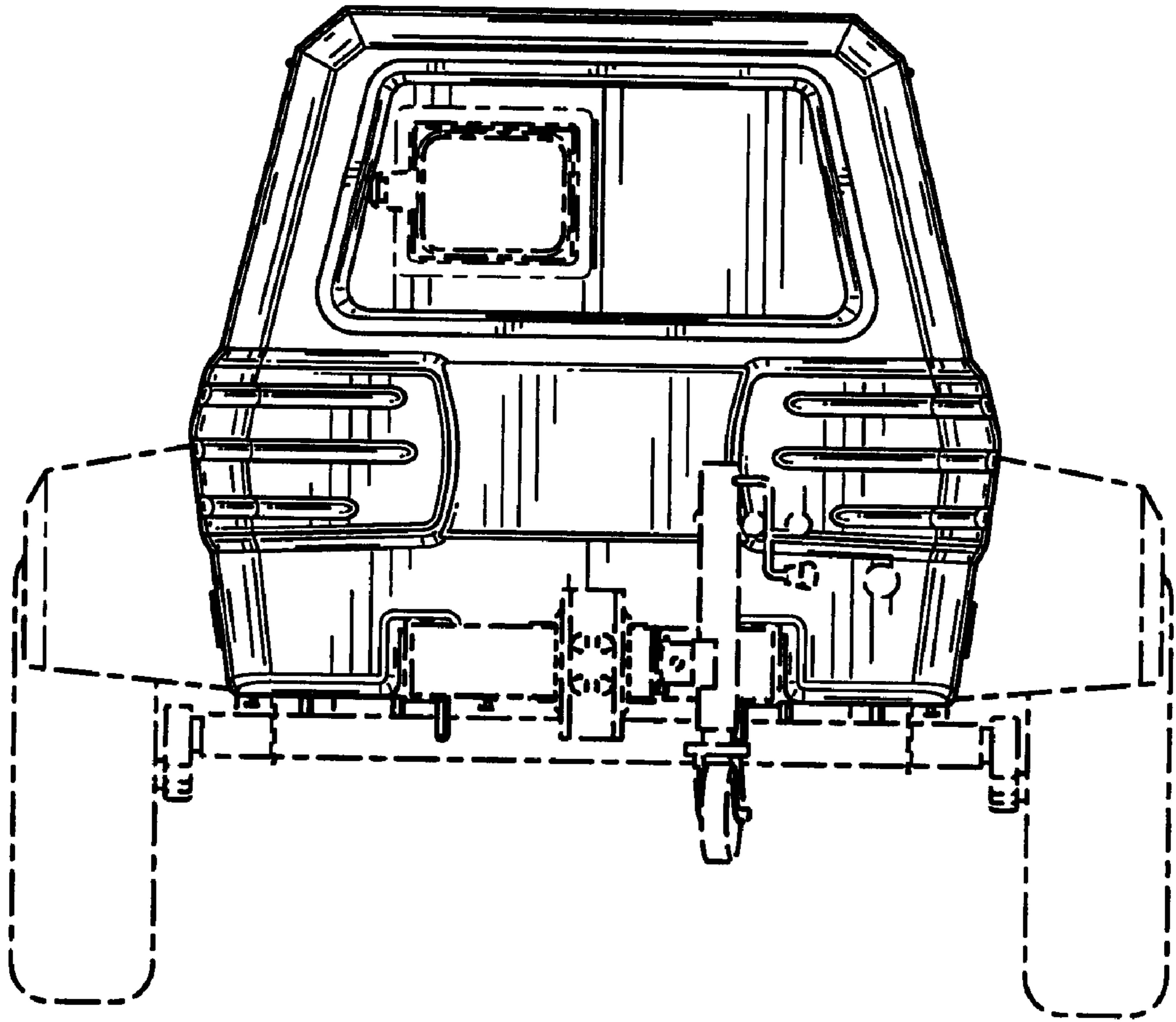


FIG. 4

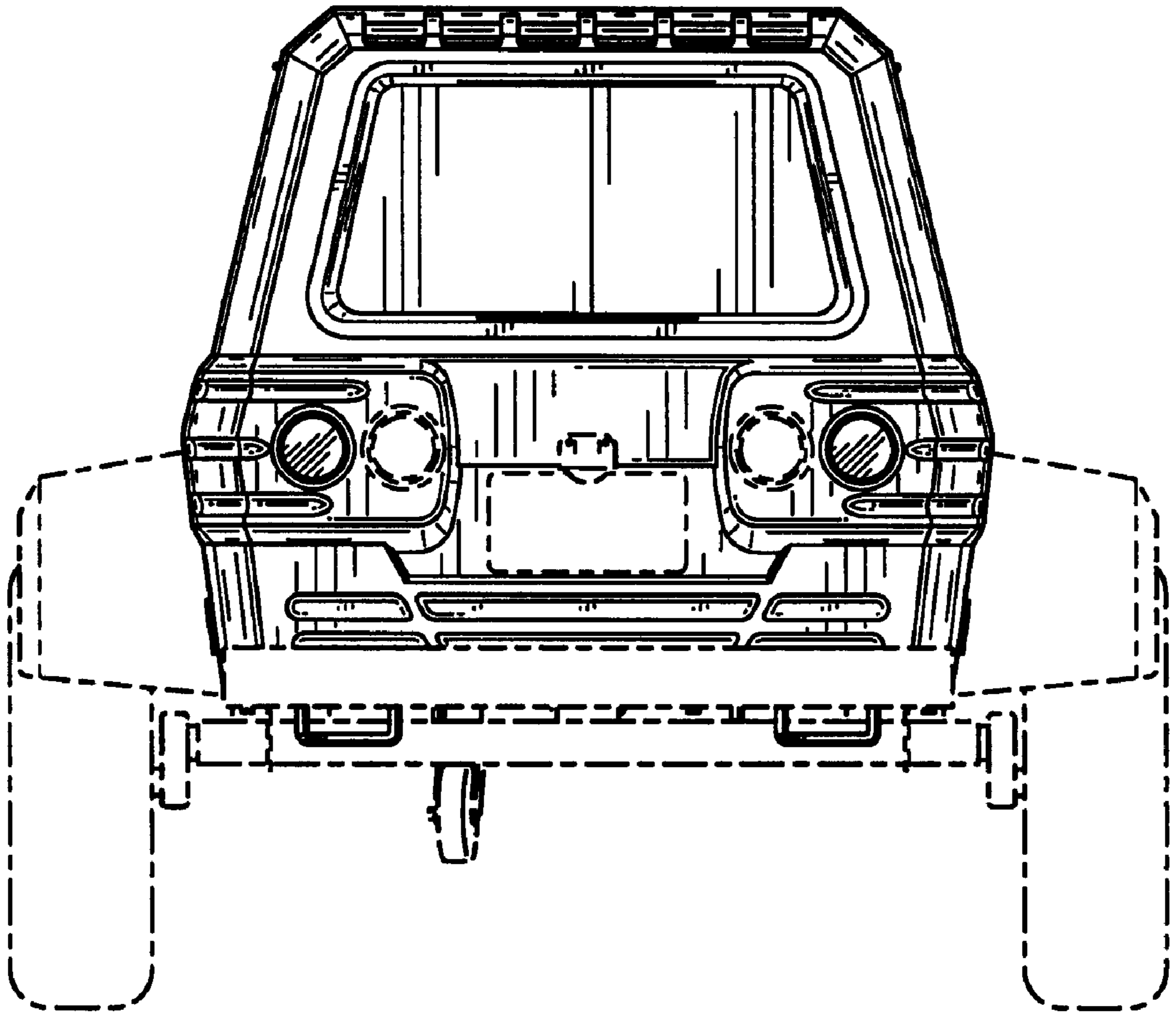


FIG. 5

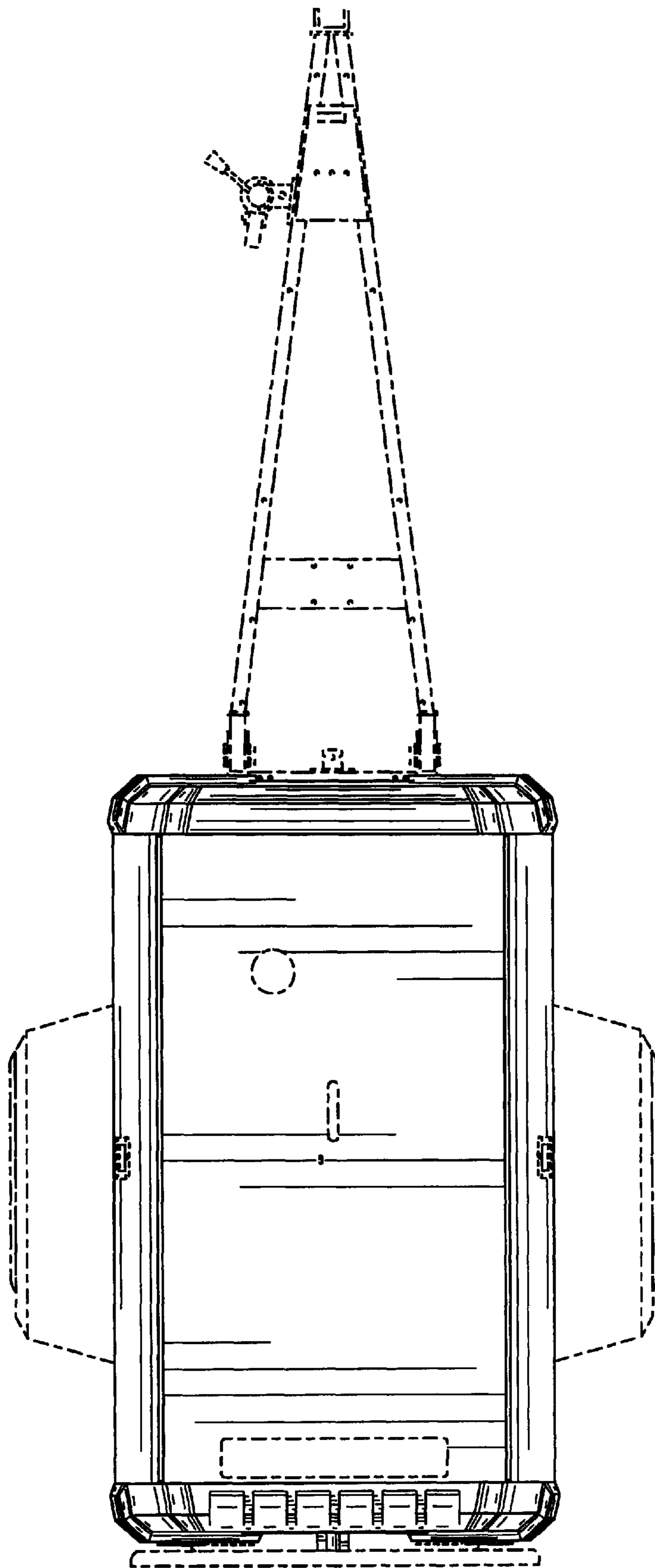


FIG. 6

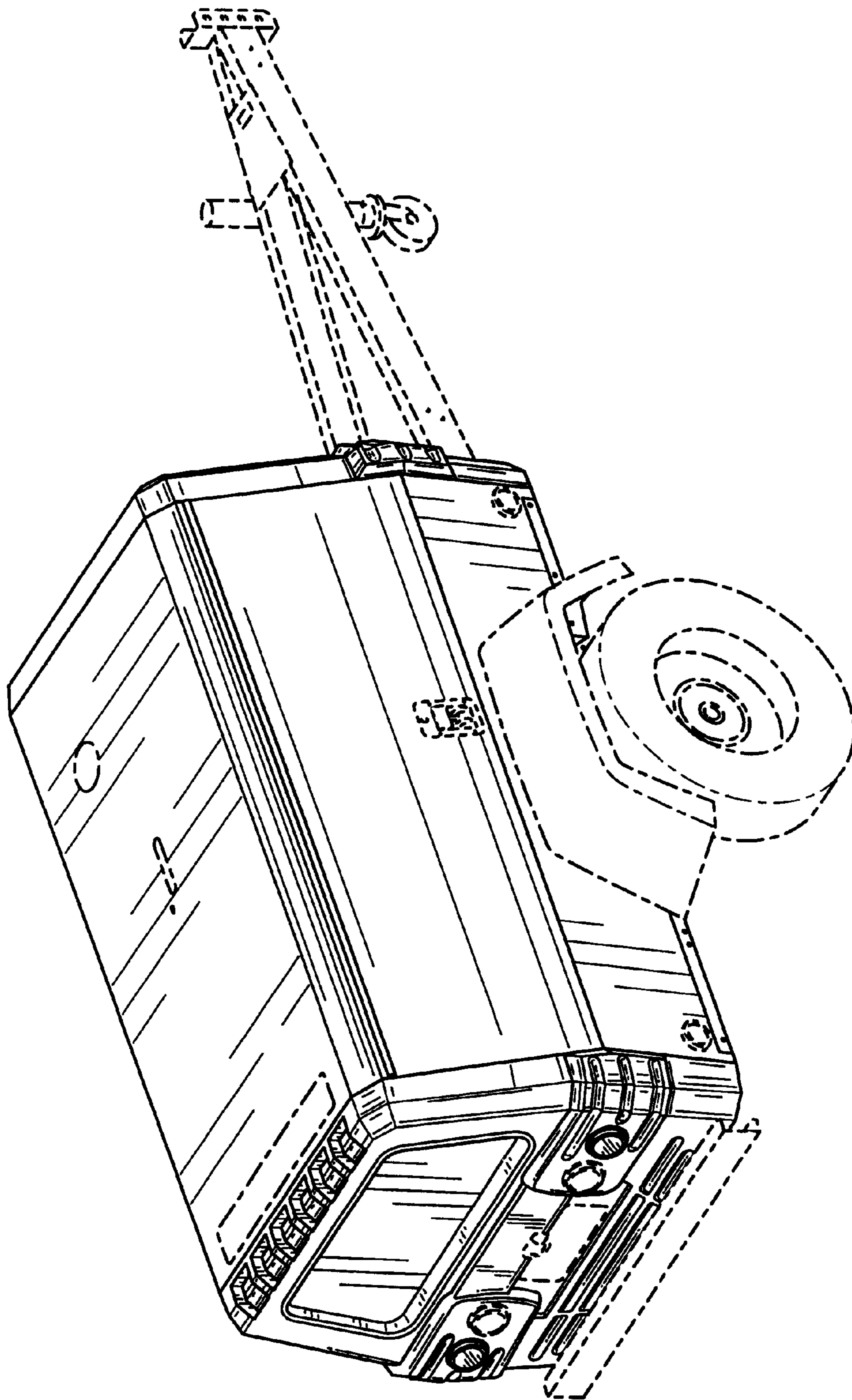


FIG. 7