



US00D445110S

(12) **United States Design Patent**  
**MacLeod**

(10) **Patent No.:** **US D445,110 S**

(45) **Date of Patent:** **\*\* Jul. 17, 2001**

(54) **COMMUNICATION INTERFACE**

(75) **Inventor:** **Sean M. MacLeod**, Seattle, WA (US)

(73) **Assignee:** **Stratos Product Development LLC**,  
Seattle, WA (US)

(\*\*) **Term:** **14 Years**

(21) **Appl. No.:** **29/118,666**

(22) **Filed:** **Feb. 11, 2000**

(51) **LOC (7) Cl.** ..... **14-02**

(52) **U.S. Cl.** ..... **D14/433**

(58) **Field of Search** ..... D14/432, 433;  
D13/123, 146, 147; 363/146; 361/683,  
715, 728; 439/620

(56) **References Cited**

**U.S. PATENT DOCUMENTS**

- D. 351,170 \* 10/1994 Hanlon et al. .
- D. 372,708 \* 8/1996 Hetherington .
- D. 411,827 \* 7/1999 Gilliland et al. .
- D. 436,919 \* 1/2001 Wakefield et al. .

5,779,499 \* 7/1998 Sette et al. .

\* cited by examiner

*Primary Examiner*—M. H. Tung

(74) *Attorney, Agent, or Firm*—Ronald M. Anderson

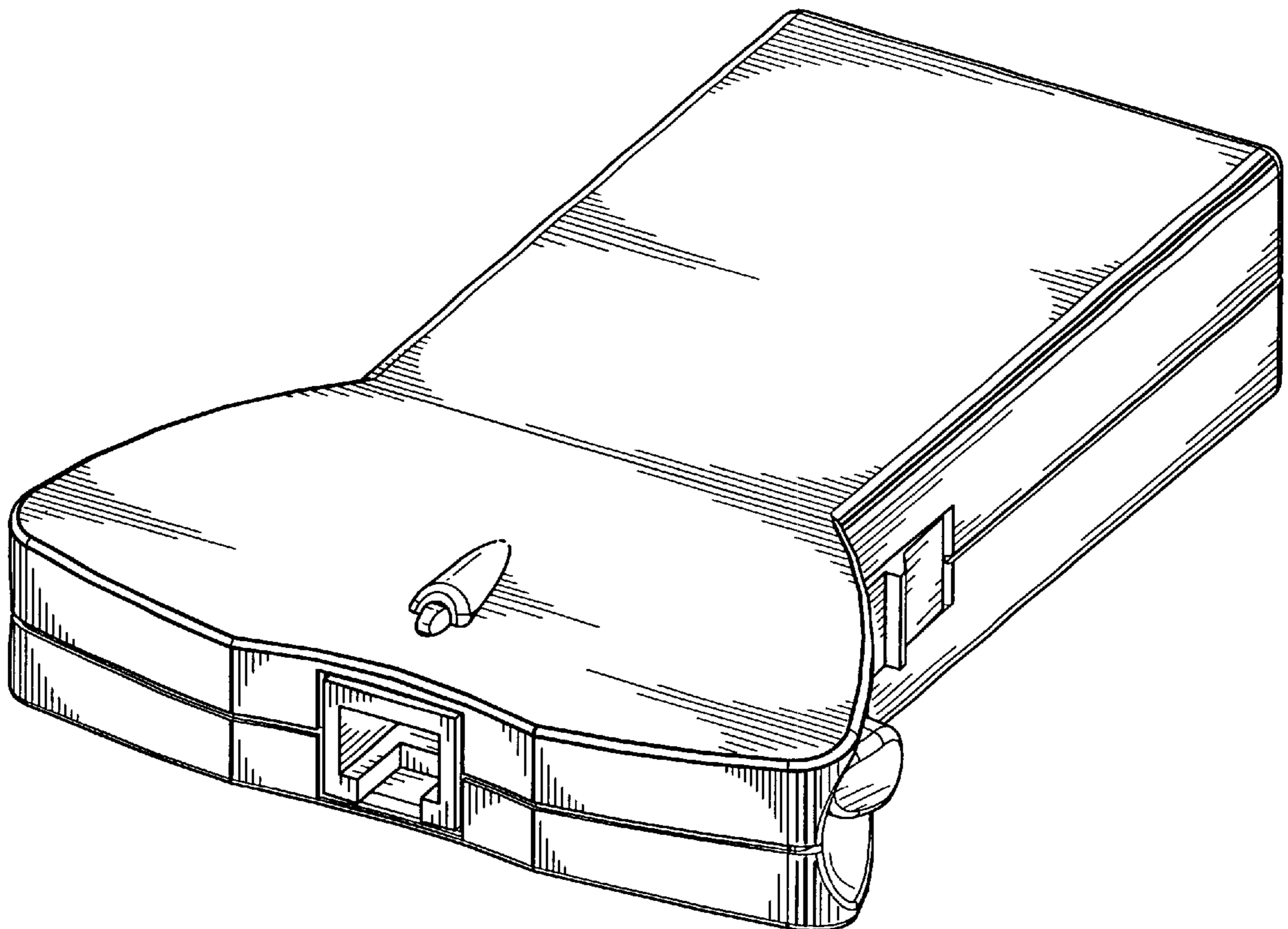
(57) **CLAIM**

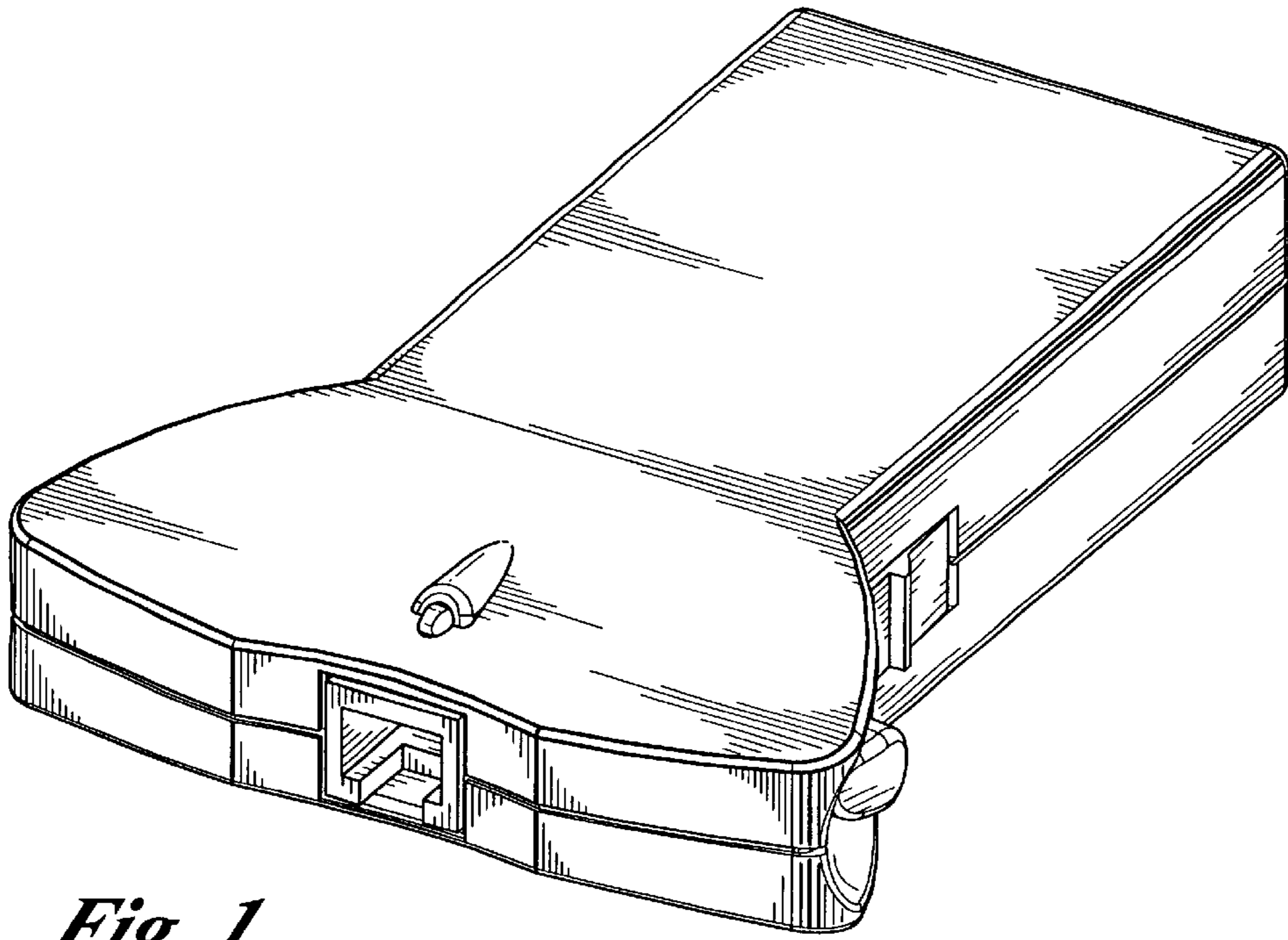
The ornamental design for a communication interface, as shown and described.

**DESCRIPTION**

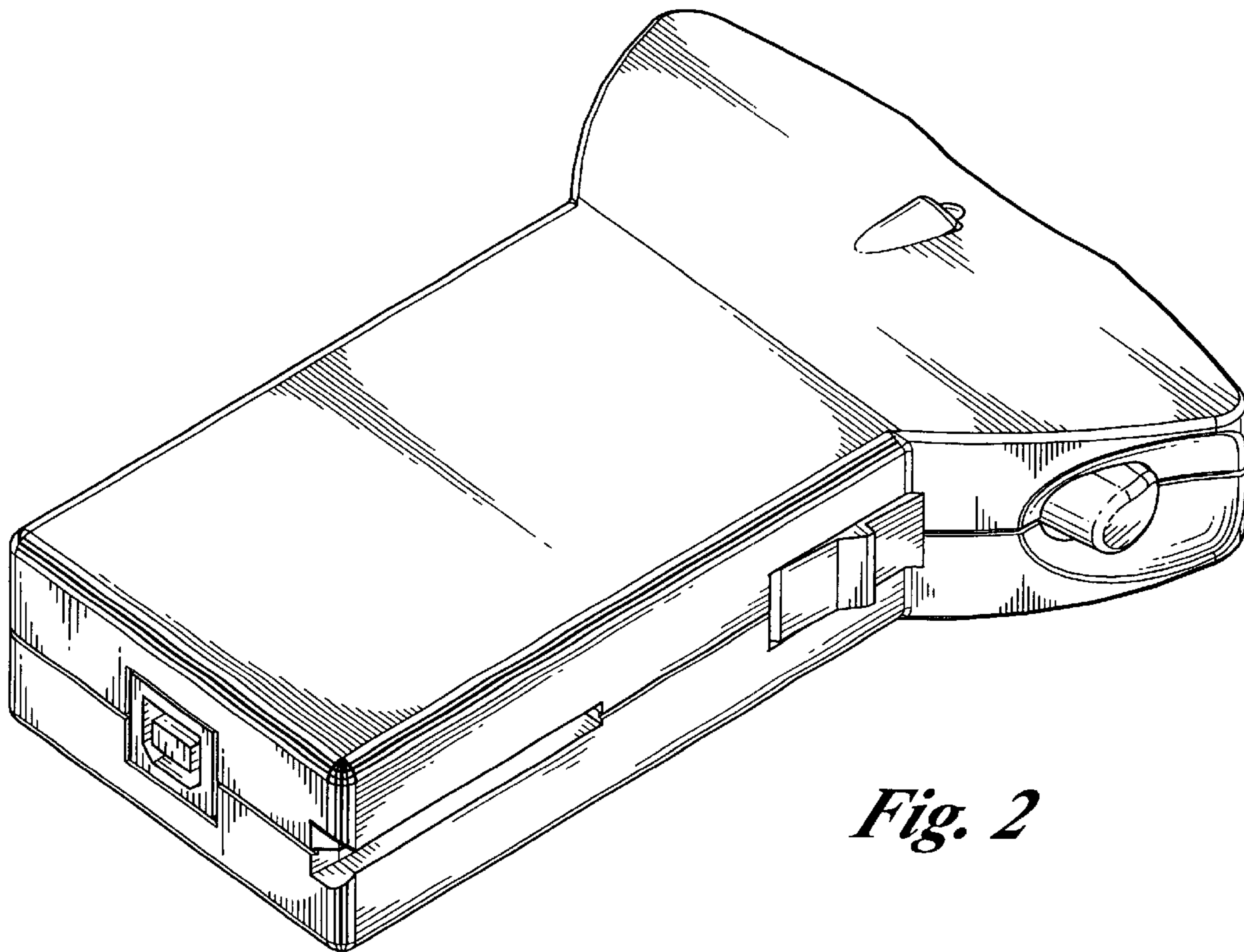
FIG. 1 is an isometric view front view of the preferred embodiment;  
 FIG. 2 is an isometric rear view of the preferred embodiment;  
 FIG. 3 is top plan view of the preferred embodiment;  
 FIG. 4 is a side elevational view of the right side of the preferred embodiment, a side elevational view of the left side being a mirror image thereof;  
 FIG. 5 is a bottom plan view of the preferred embodiment;  
 FIG. 6 is a rear elevational view of the preferred embodiment; and,  
 FIG. 7 is a front elevational view of the preferred embodiment.

**1 Claim, 3 Drawing Sheets**

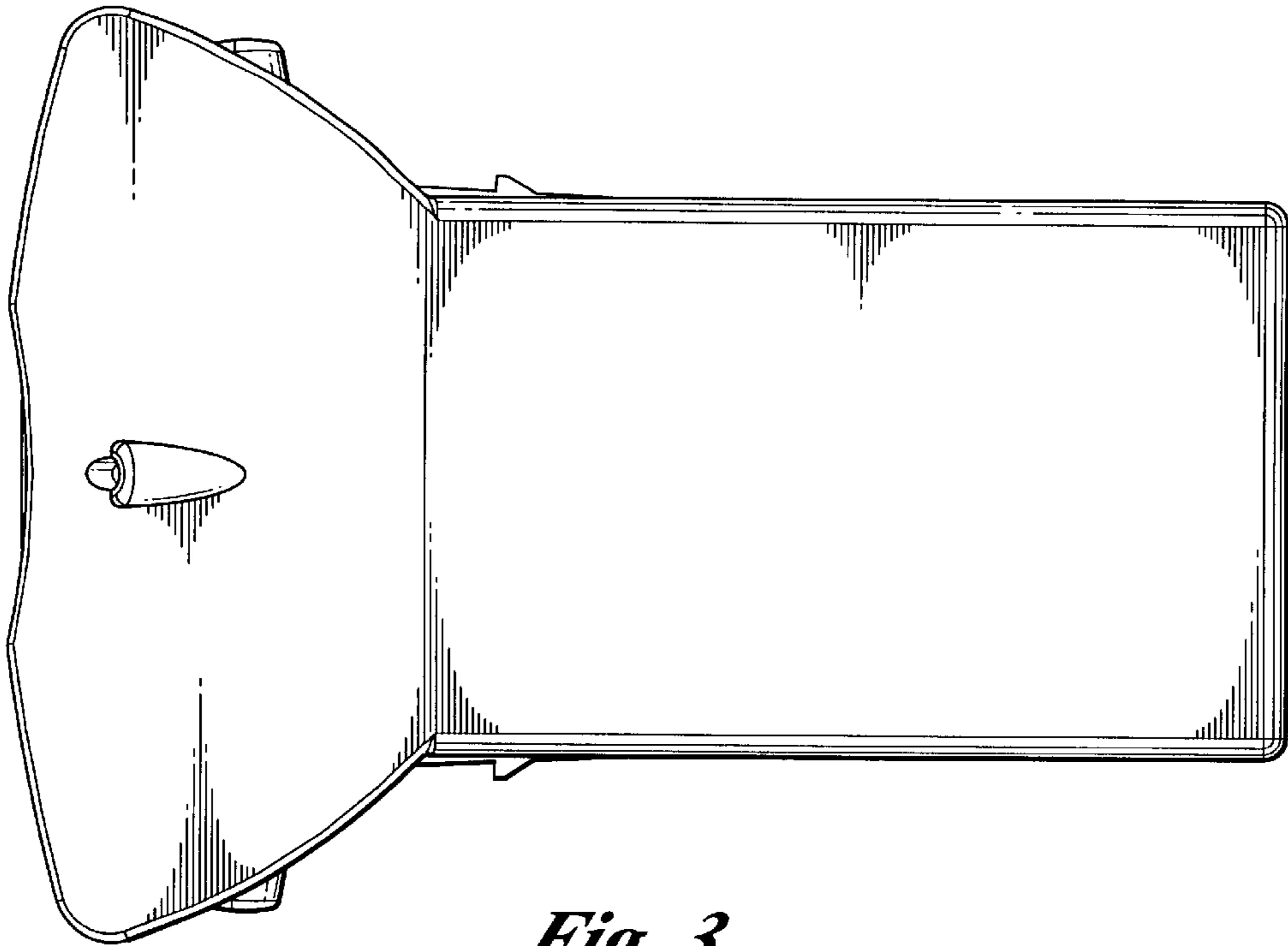




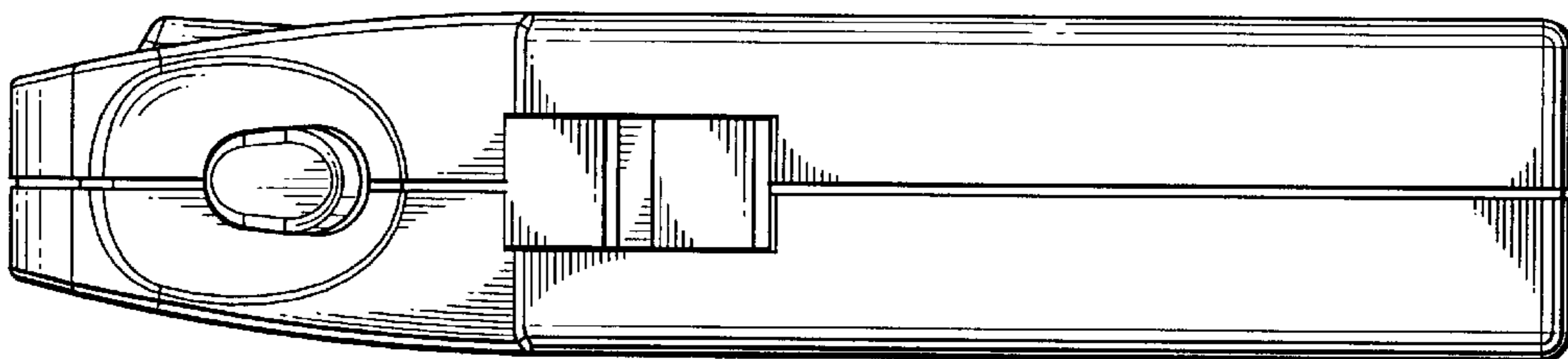
*Fig. 1*



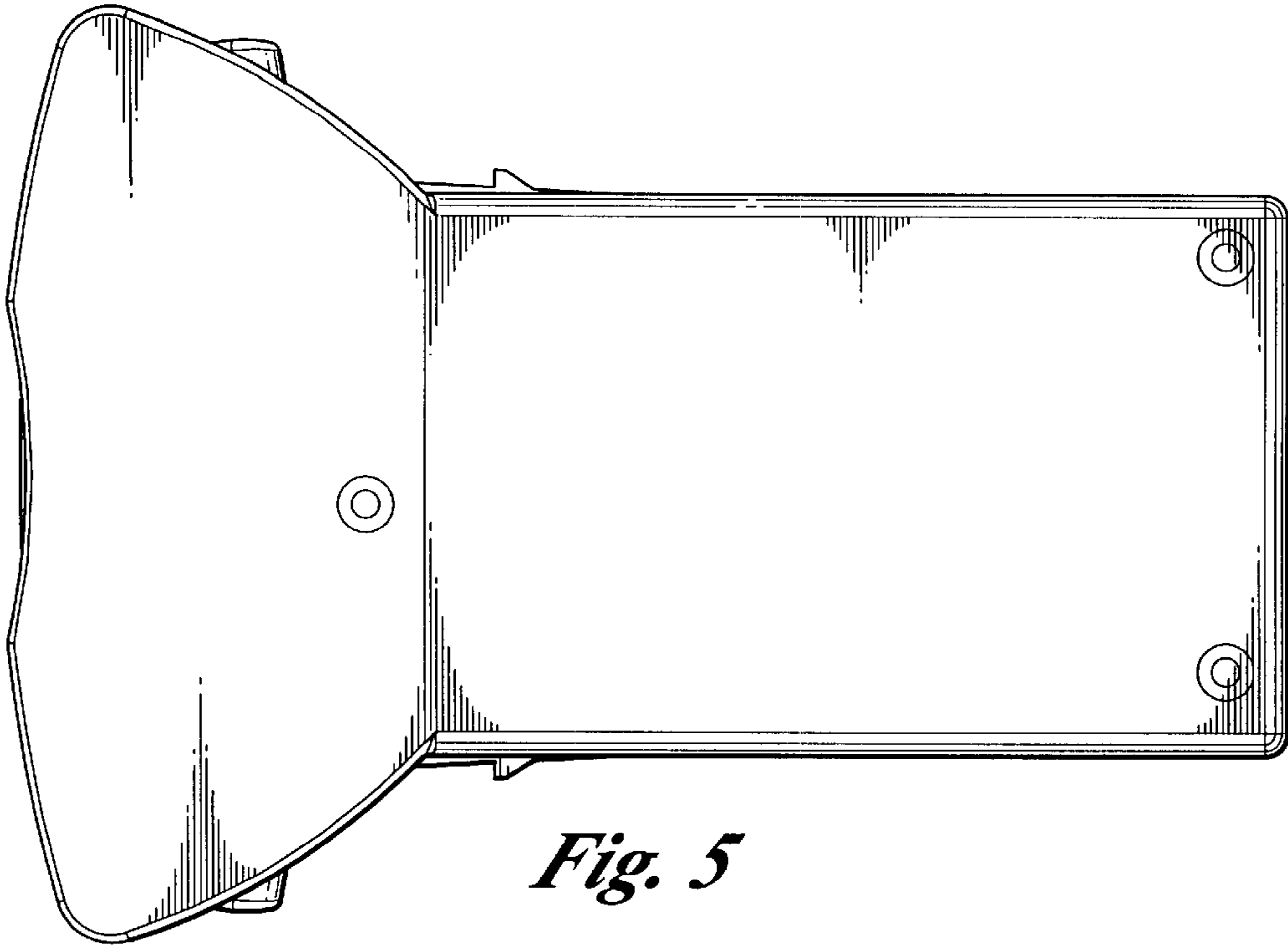
*Fig. 2*



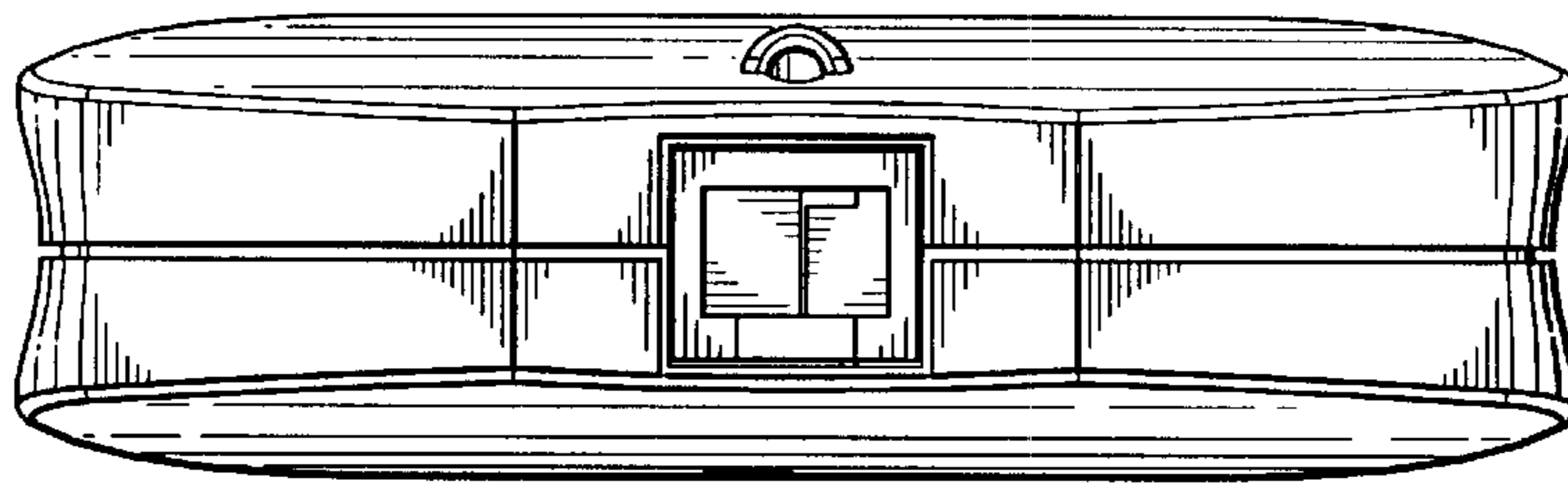
*Fig. 3*



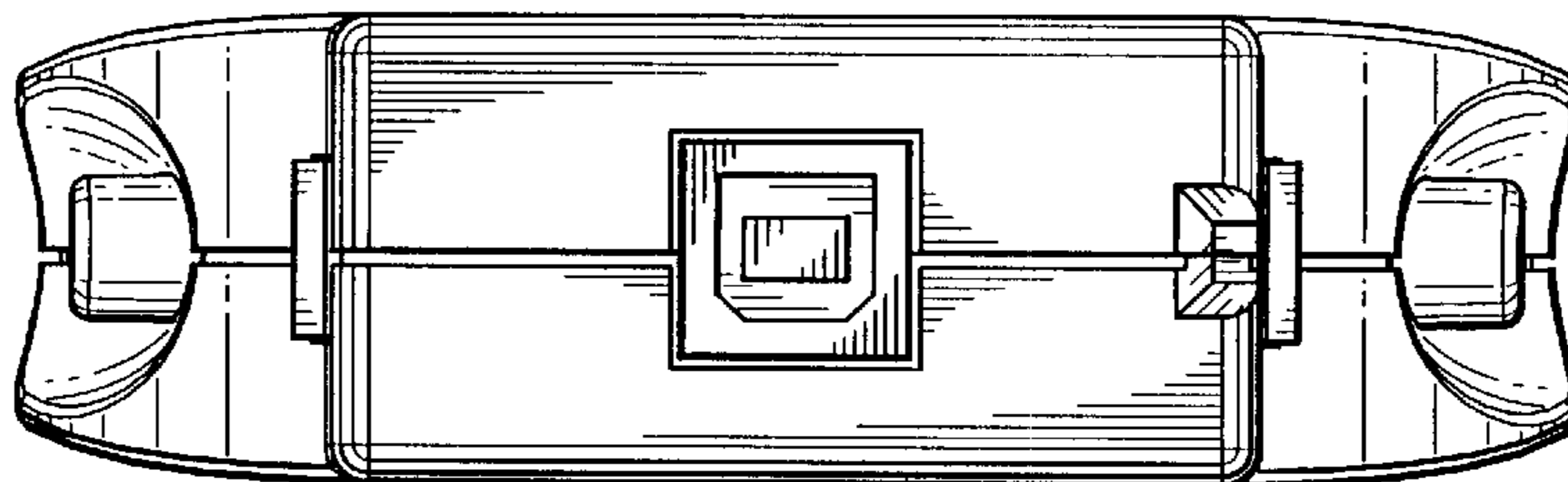
*Fig. 4*



*Fig. 5*



*Fig. 6*



*Fig. 7*