



US00D445100S

(12) **United States Design Patent**  
**Sawai**

(10) **Patent No.:** **US D445,100 S**

(45) **Date of Patent:** **\*\* Jul. 17, 2001**

(54) **OPTICAL DISC PLAYER**

(75) Inventor: **Kunihito Sawai**, Tokyo (JP)

(73) Assignee: **Sony Corporation**, Tokyo (JP)

(\*\*) Term: **14 Years**

(21) Appl. No.: **29/126,172**

(22) Filed: **Jul. 12, 2000**

(51) **LOC (7) Cl.** ..... **14-01**

(52) **U.S. Cl.** ..... **D14/136**

(58) **Field of Search** ..... D14/135, 136,  
D14/156, 157, 160; 369/75.1, 75.2, 77.1,  
77.2

(56) **References Cited**

**U.S. PATENT DOCUMENTS**

D. 337,327	*	7/1993	Suzuki	.....	D14/156
D. 377,648	*	1/1997	Young	.....	D14/136
D. 410,464		6/1999	Hakoda	.....	D14/156
D. 412,900	*	8/1999	Utsugi	.....	D14/136
D. 421,001		2/2000	Miyashita	.....	D14/124
5,265,083	*	11/1993	Ishii et al.	.....	369/75.1

**OTHER PUBLICATIONS**

Catalog "Portable DVD Player", 2 sheets, Pioneer, Jun. 1999.

Catalog "Digital AVC Network", 3 sheets, Panasonic, Oct., 1999.

Home page "www.sharp/sc/eihon/dv170tv/text/index.html", 2 sheets, Sharp, Dec. 1999.

\* cited by examiner

*Primary Examiner*—Nanda Bondade

(74) *Attorney, Agent, or Firm*—Rader, Fishman & Grauer, PLLC

(57) **CLAIM**

The ornamental design for an optical disc player, as shown and described.

**DESCRIPTION**

FIG. 1 is a perspective view of an optical disc player showing my design;

FIG. 2 is a top plan view thereof;

FIG. 3 is a bottom plan view thereof;

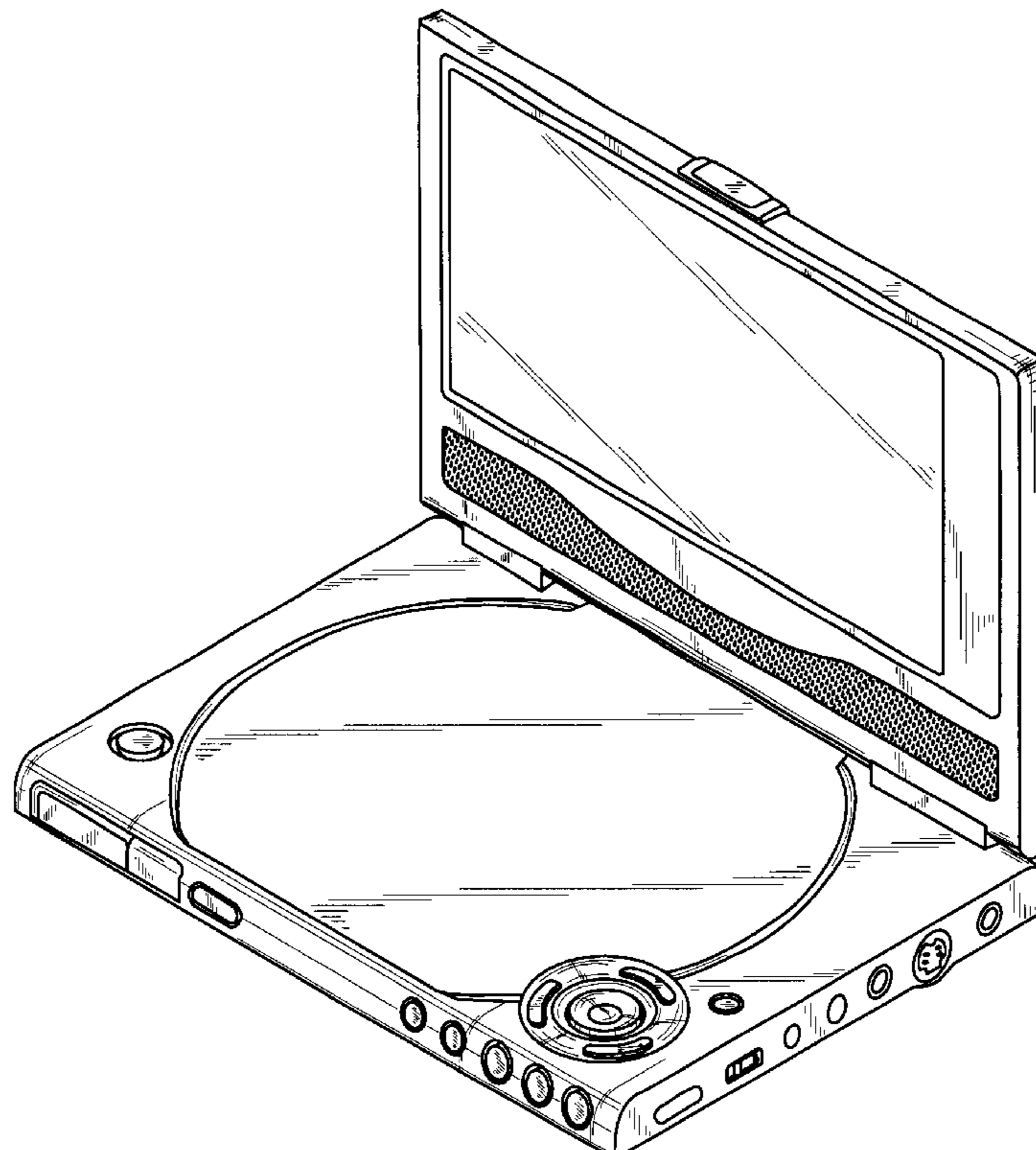
FIG. 4 is a left elevational view thereof;

FIG. 5 is a right side elevational view thereof

FIG. 6 is a front elevational view thereof; and,

FIG. 7 is a rear elevational view thereof.

**1 Claim, 4 Drawing Sheets**



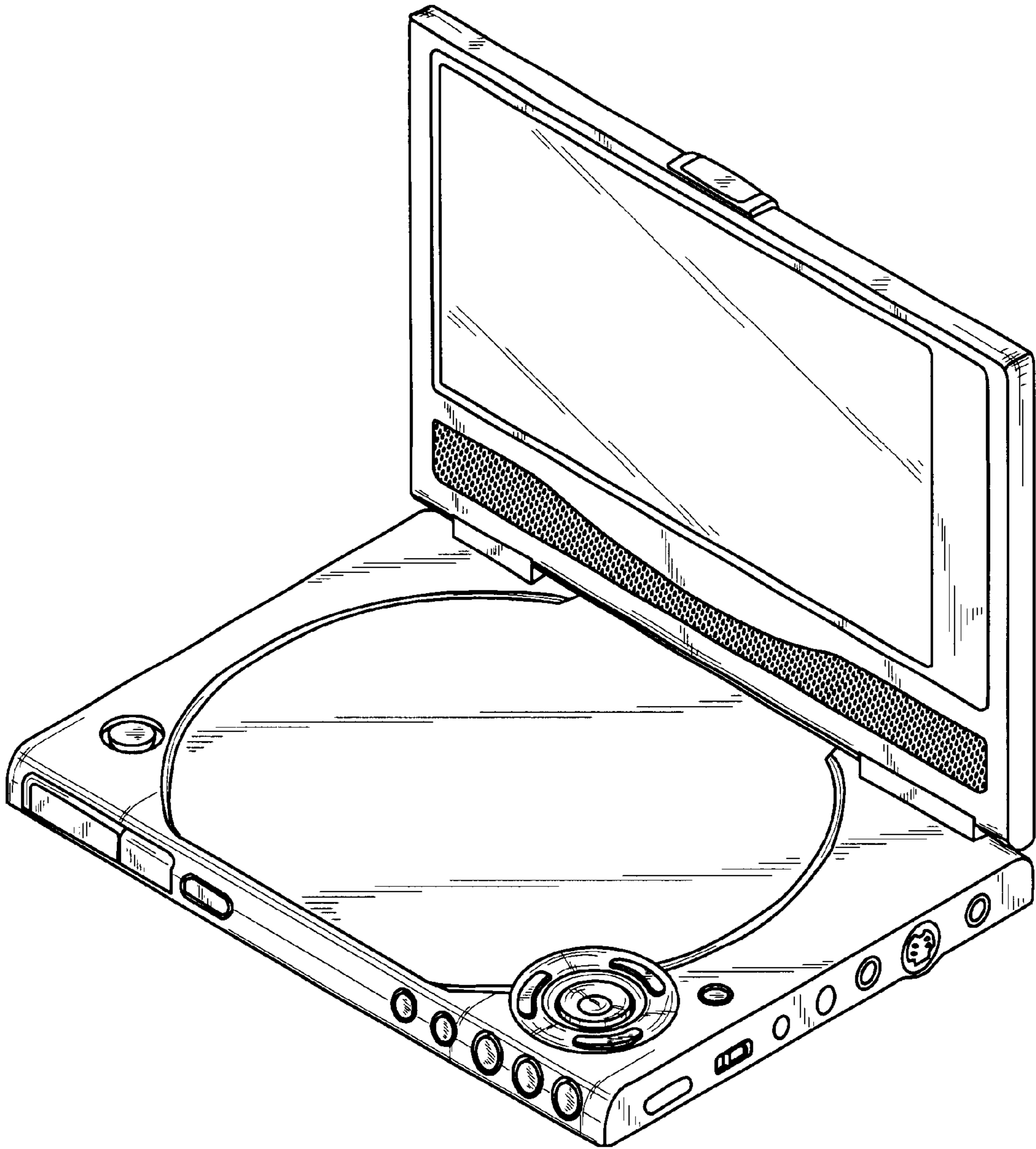
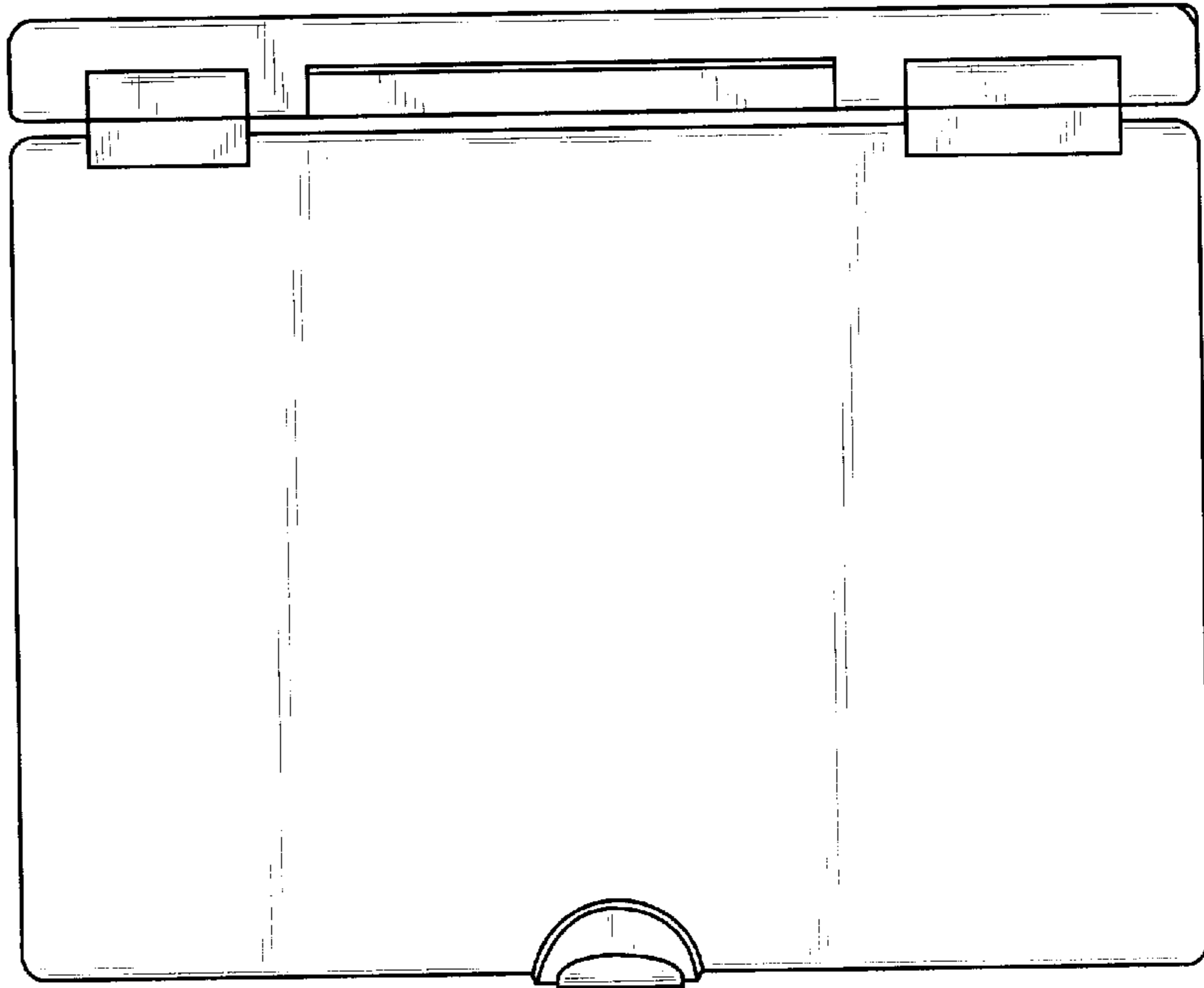
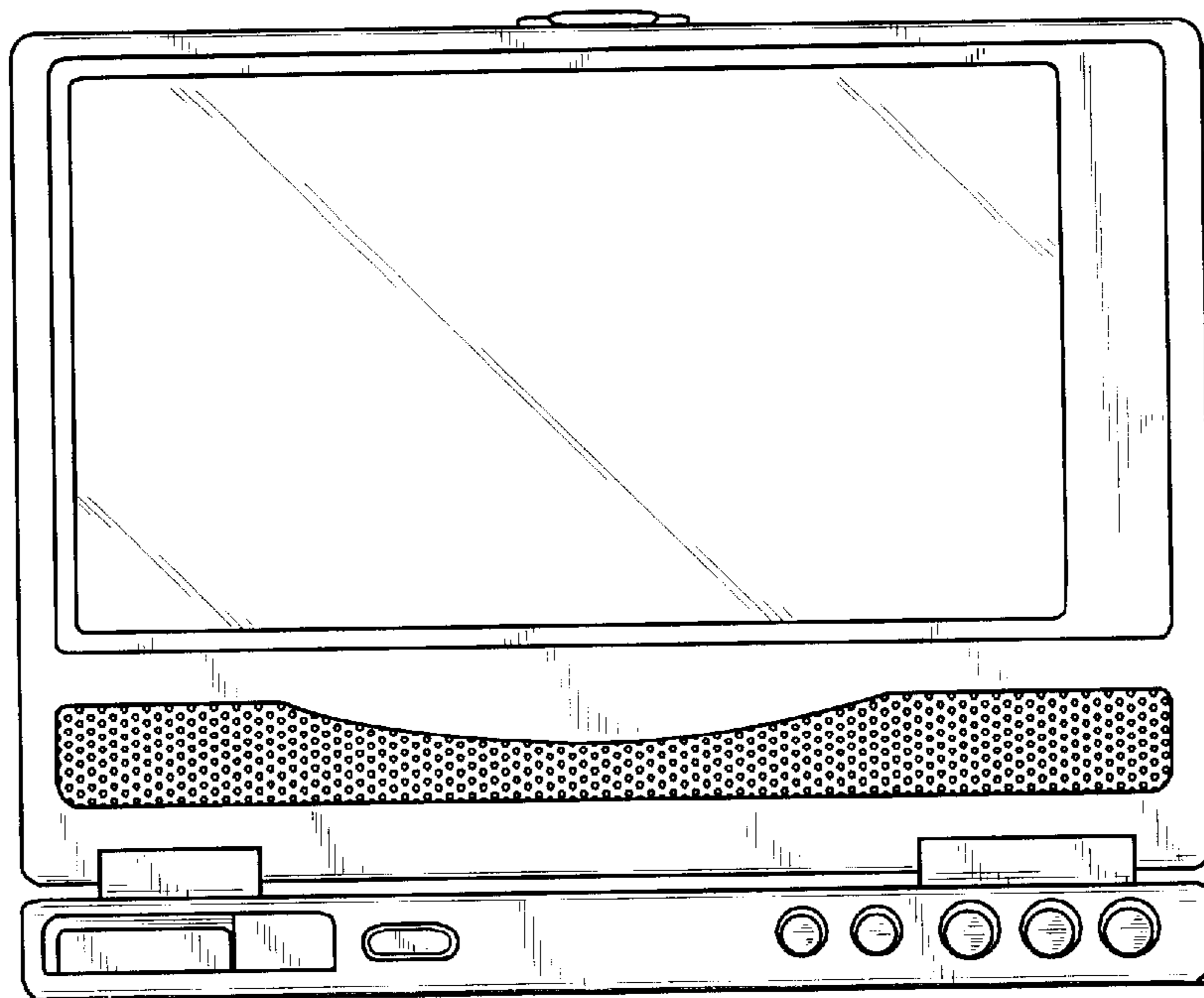


Fig. 1



**Fig. 2**



**Fig. 3**

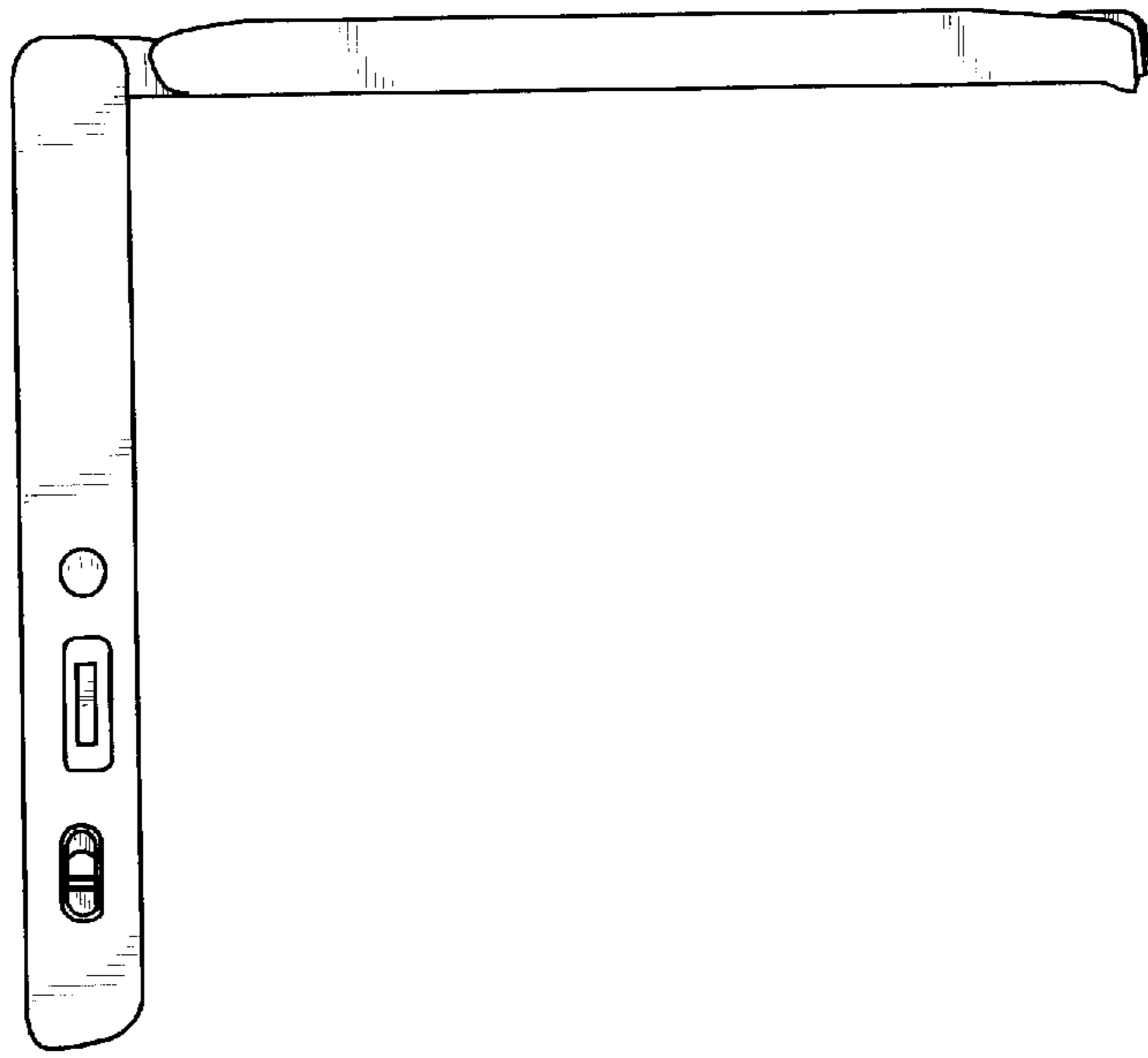


Fig. 4

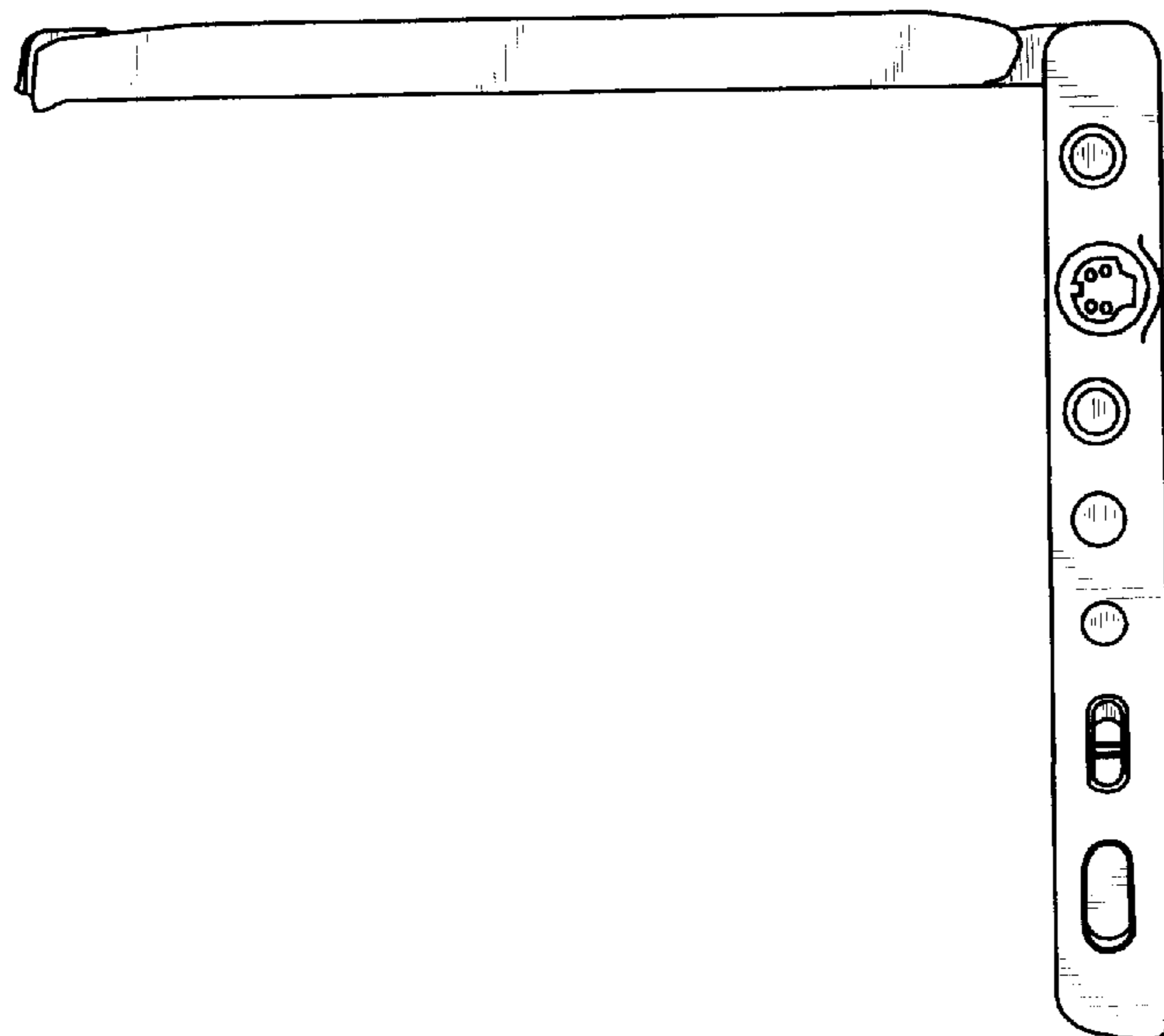
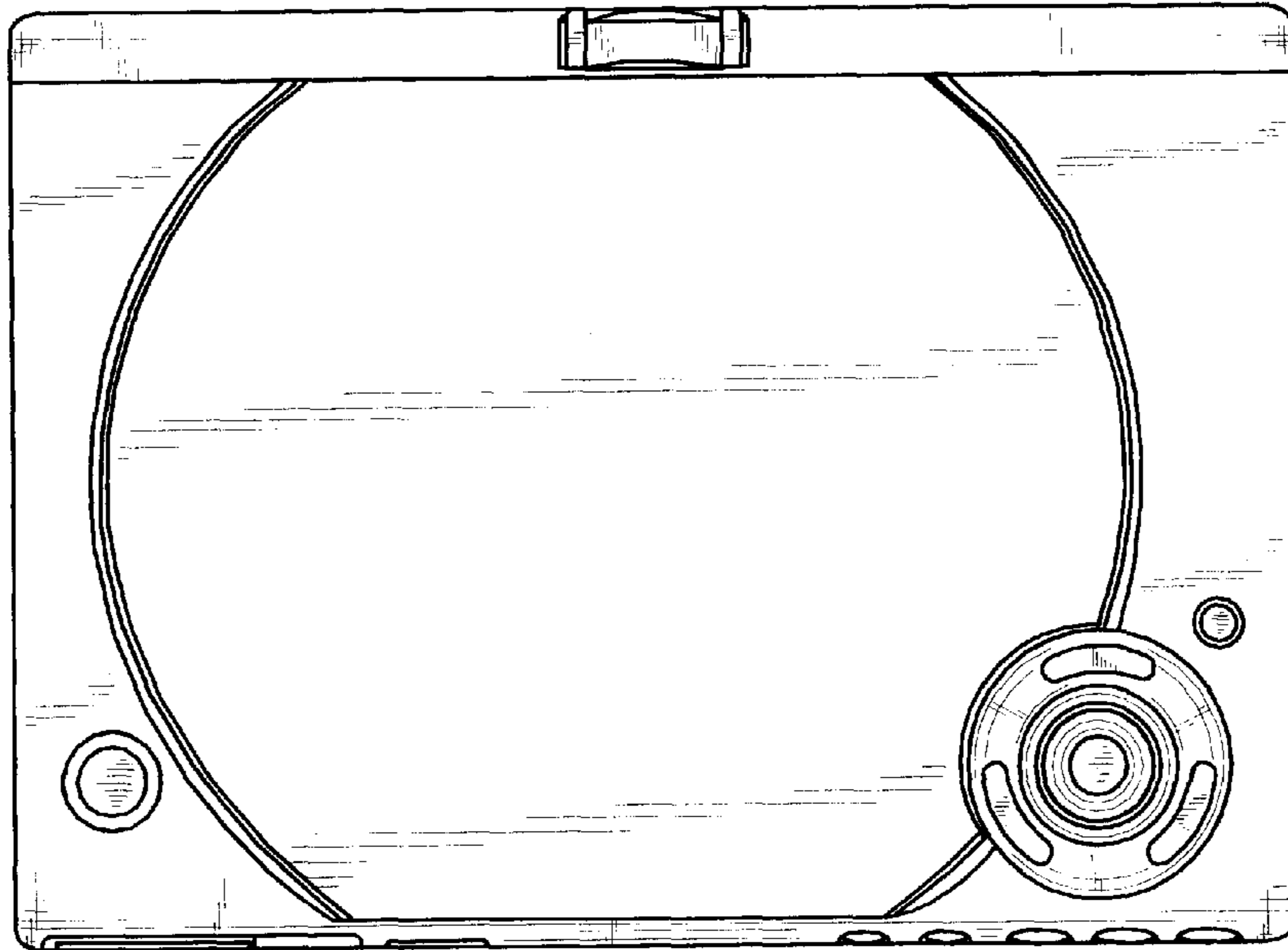
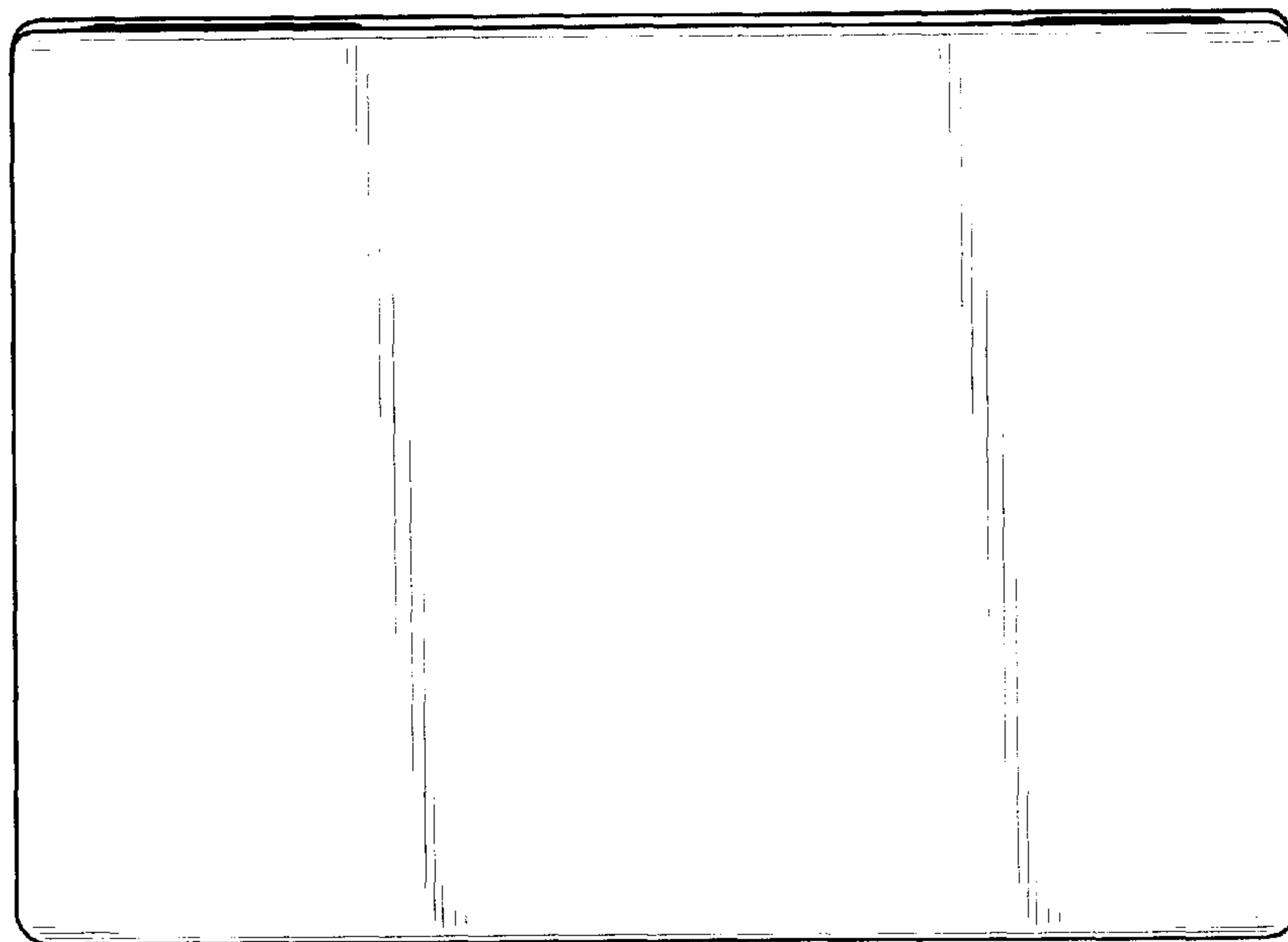


Fig. 5



**Fig. 6**



**Fig. 7**