



US00D445097S

(12) **United States Design Patent**  
**Jensen et al.**

(10) **Patent No.: US D445,097 S**

(45) **Date of Patent: \*\* Jul. 17, 2001**

(54) **SET TOP BOX**

(75) Inventors: **Tyler David Jensen; Roger Hsu**, both of San Diego; **Andrew Zoolakis**, La Costa; **Charles Curbbun**, Leucadia, all of CA (US)

(73) Assignee: **Hughes Electronics Corporation**, El Segundo, CA (US)

(\*\*) Term: **14 Years**

(21) Appl. No.: **29/113,269**

(22) Filed: **Nov. 2, 1999**

(51) **LOC (7) Cl. .... 14-01**

(52) **U.S. Cl. .... D14/125**

(58) **Field of Search** ..... D14/357, 358, D14/496, 125, 135, 136, 188, 239, 242, 432; D13/110, 184; 312/7.1, 223.1; 348/10, 11; 455/6.2

(56) **References Cited**

**U.S. PATENT DOCUMENTS**

- D. 368,905 \* 4/1996 Otani ..... D14/125
- D. 399,840 \* 10/1998 Curbbun et al. .... D14/358

- D. 408,037 \* 4/1999 Althans et al. .... D14/257
- D. 412,327 \* 7/1999 Curbbun et al. .... D14/496
- D. 415,486 \* 10/1999 Lee et al. .... D14/126
- D. 416,264 \* 11/1999 Althans et al. .... D14/257
- D. 422,993 \* 4/2000 Storti et al. .... D14/432

\* cited by examiner

*Primary Examiner*—Ted Shooman

*Assistant Examiner*—C Tuttle

(74) *Attorney, Agent, or Firm*—John T. Whelan; Michael W. Sales

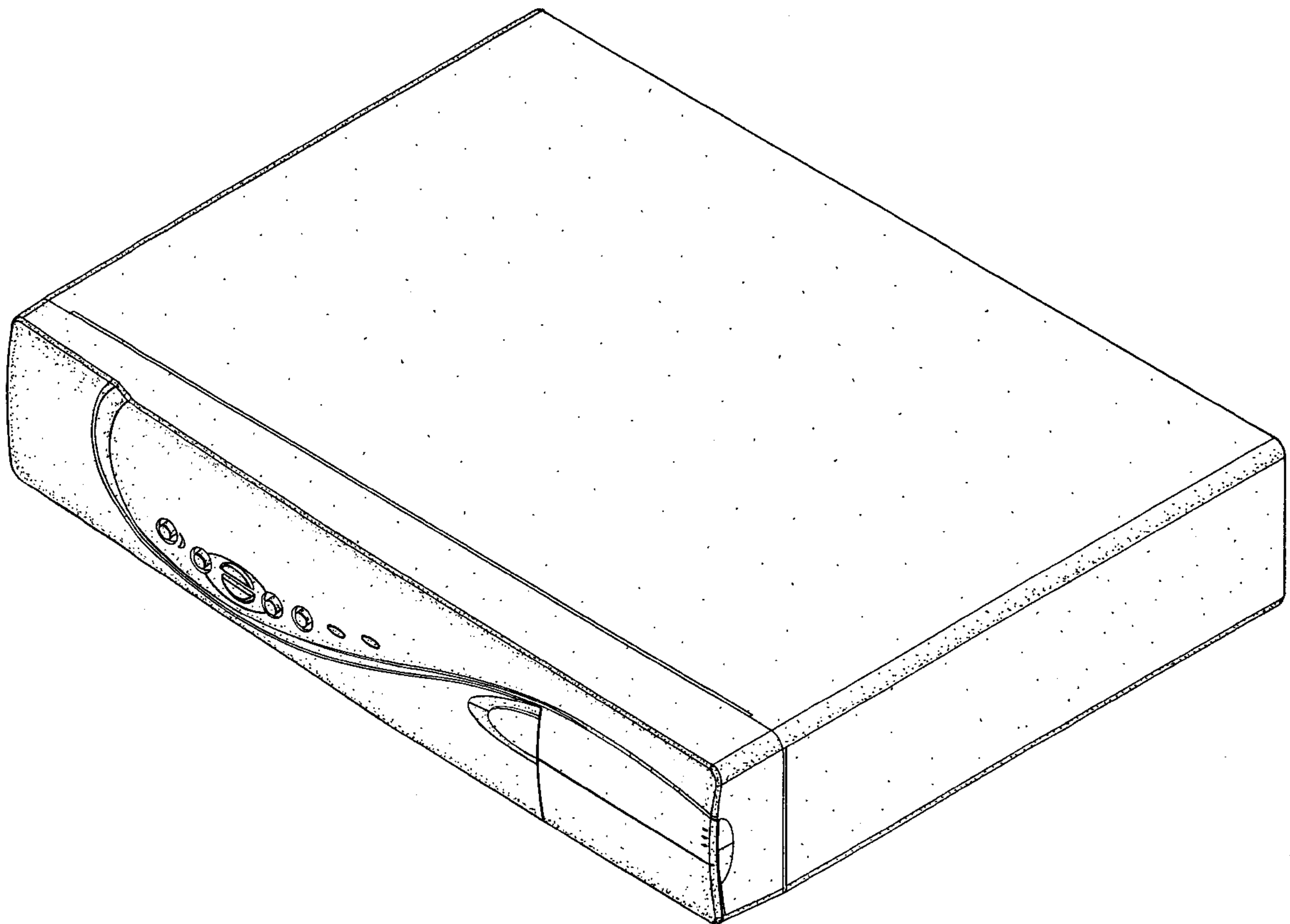
(57) **CLAIM**

The ornamental design for a set top box, as shown and described.

**DESCRIPTION**

FIG. 1 is a right side elevation view of a set top box showing our new design;  
 FIG. 2 is a front view;  
 FIG. 3 is a top plan view;  
 FIG. 4 is a bottom plan view;  
 FIG. 5 is a right side view;  
 FIG. 6 is a left side view; and,  
 FIG. 7 is a rear view.

**1 Claim, 6 Drawing Sheets**



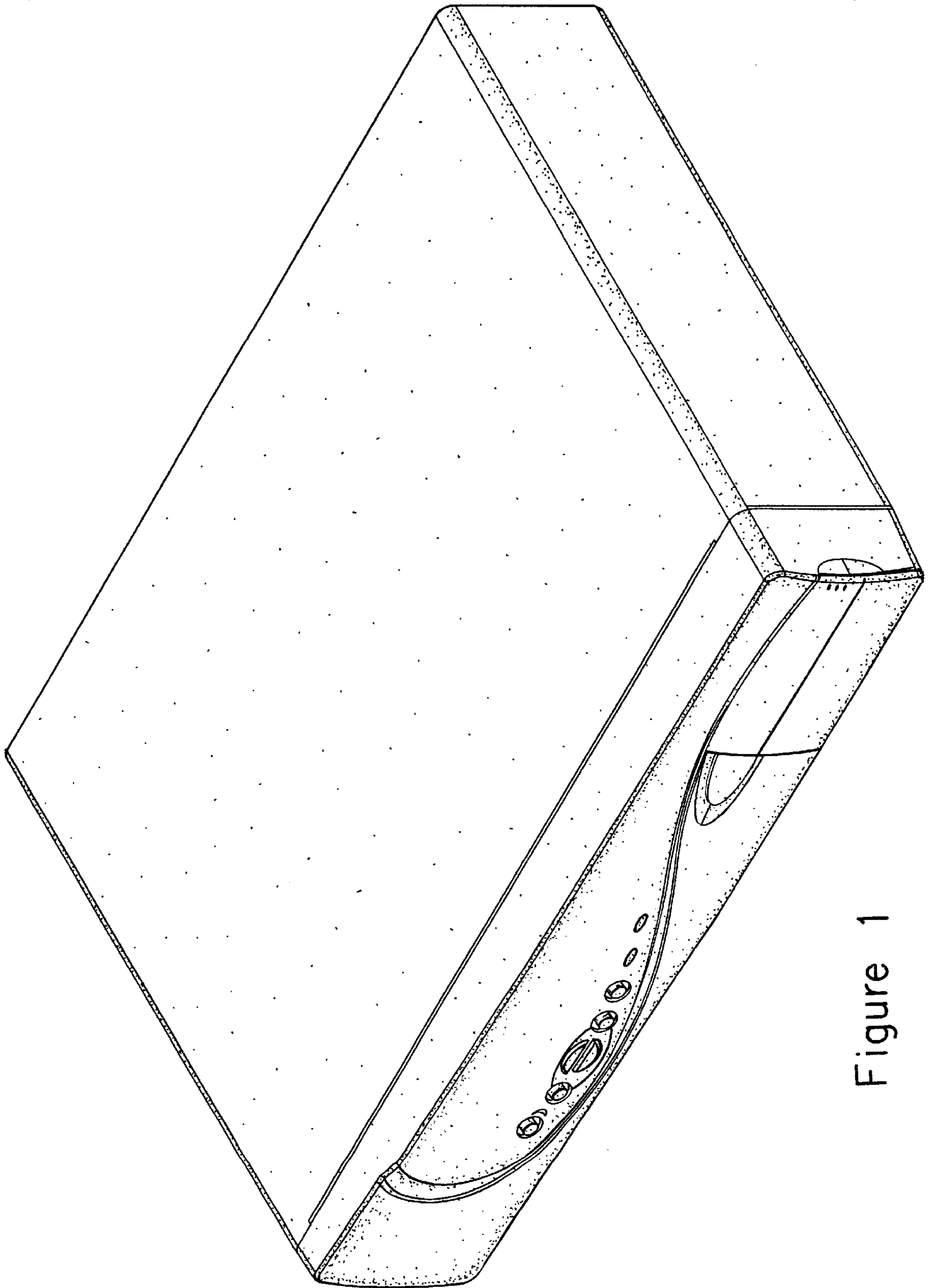


Figure 1

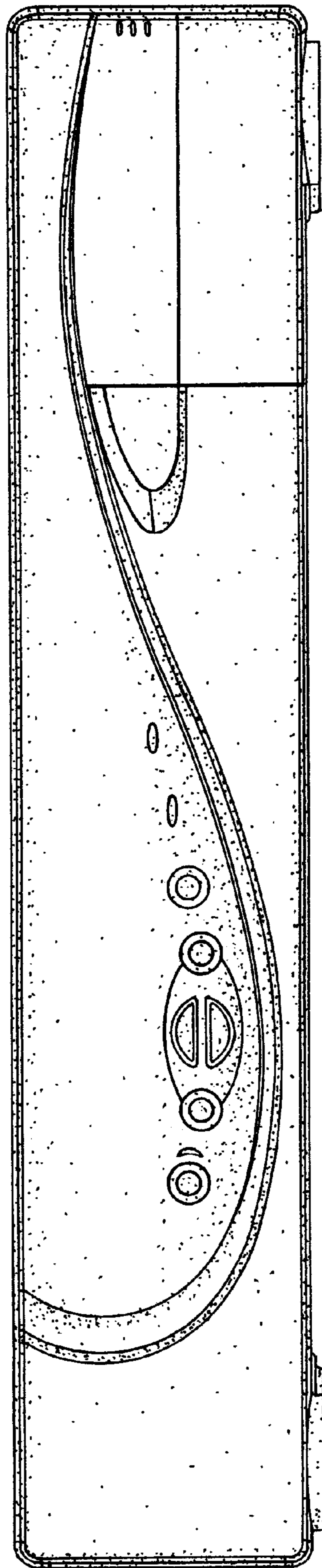


Figure 2

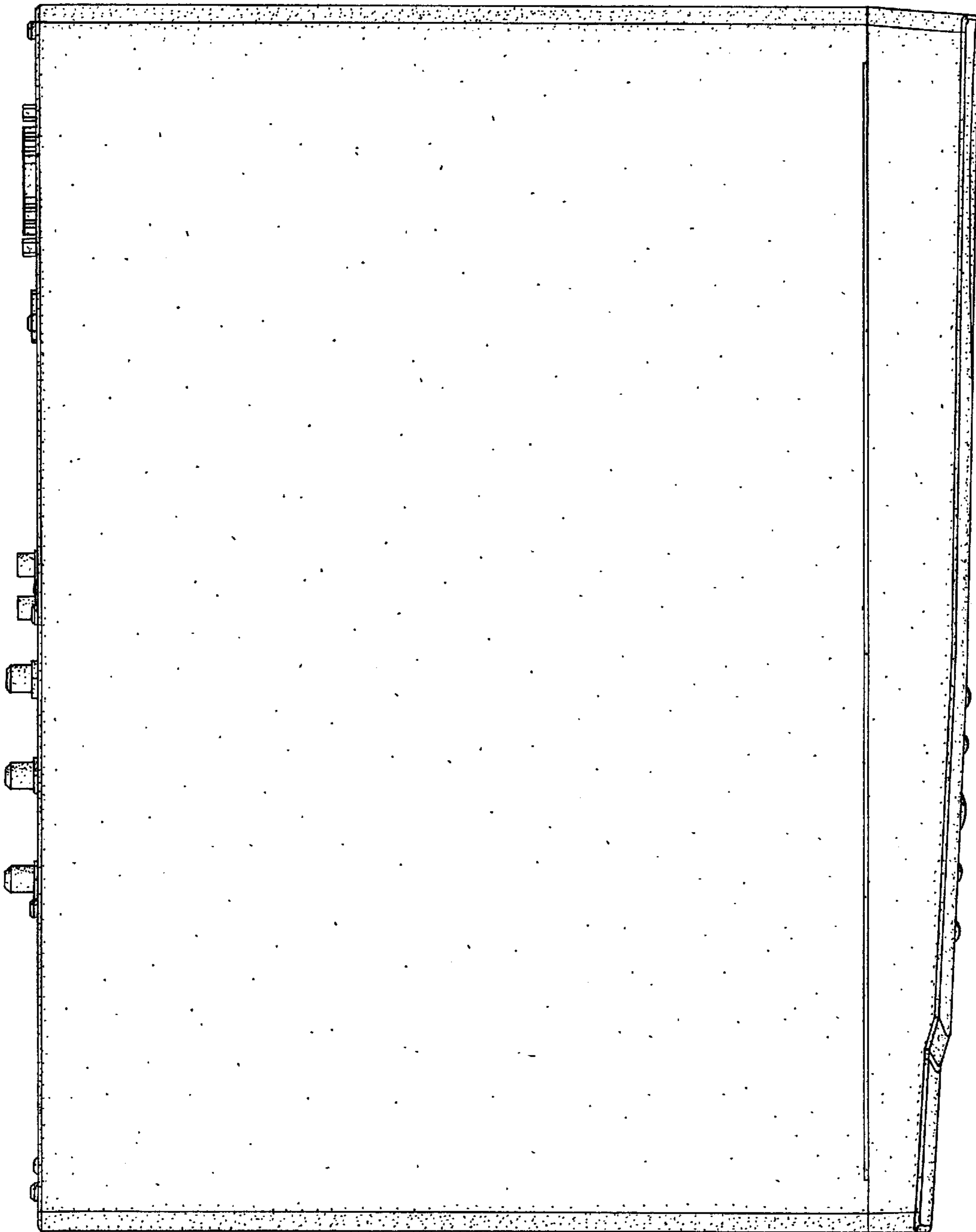


Figure 3

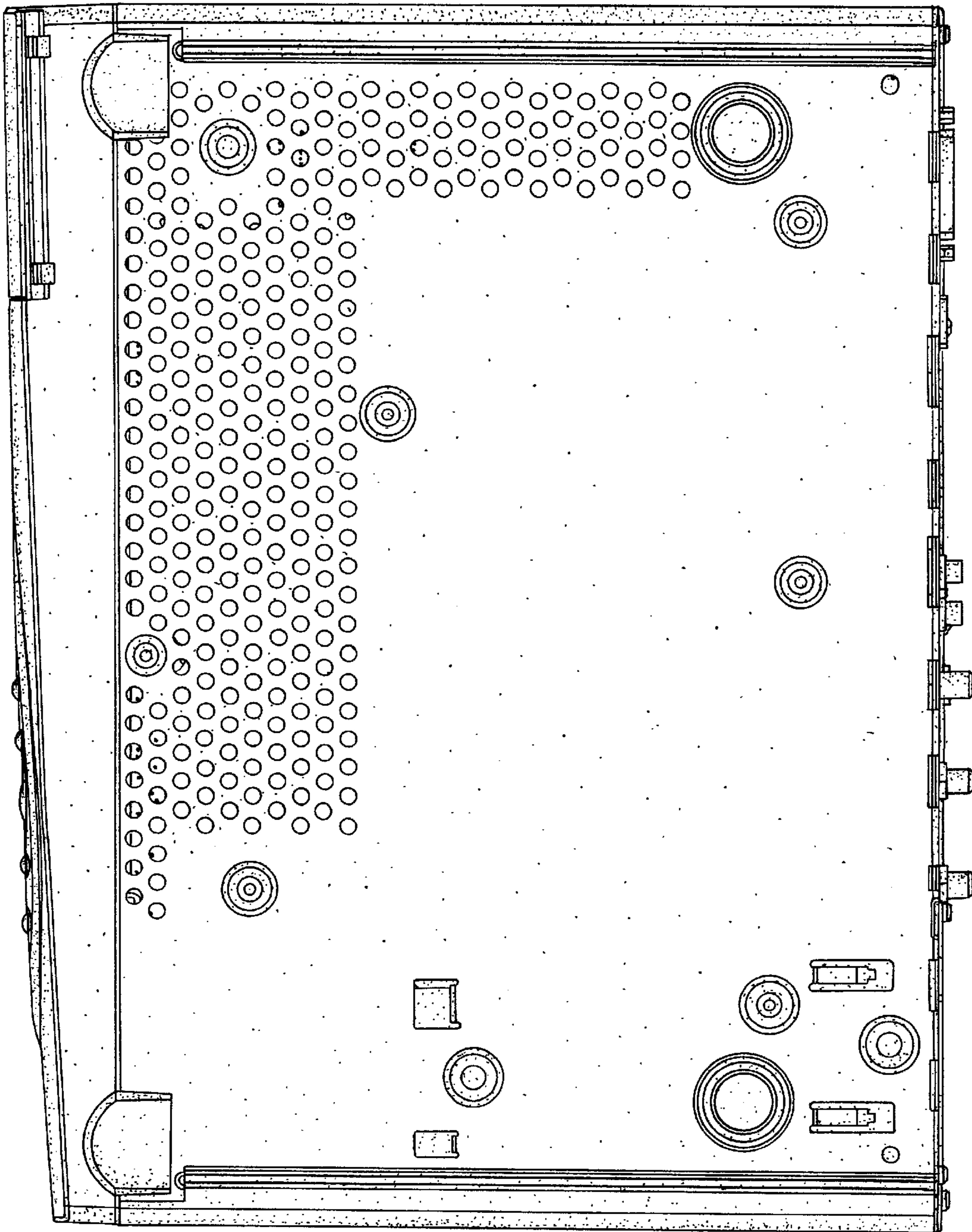


Figure 4

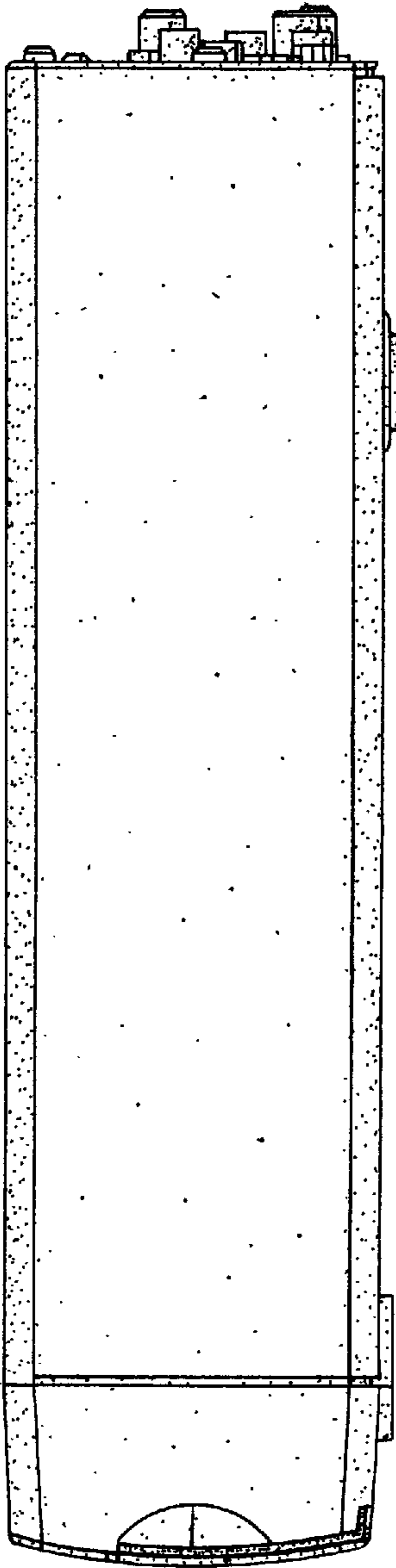


Figure 5

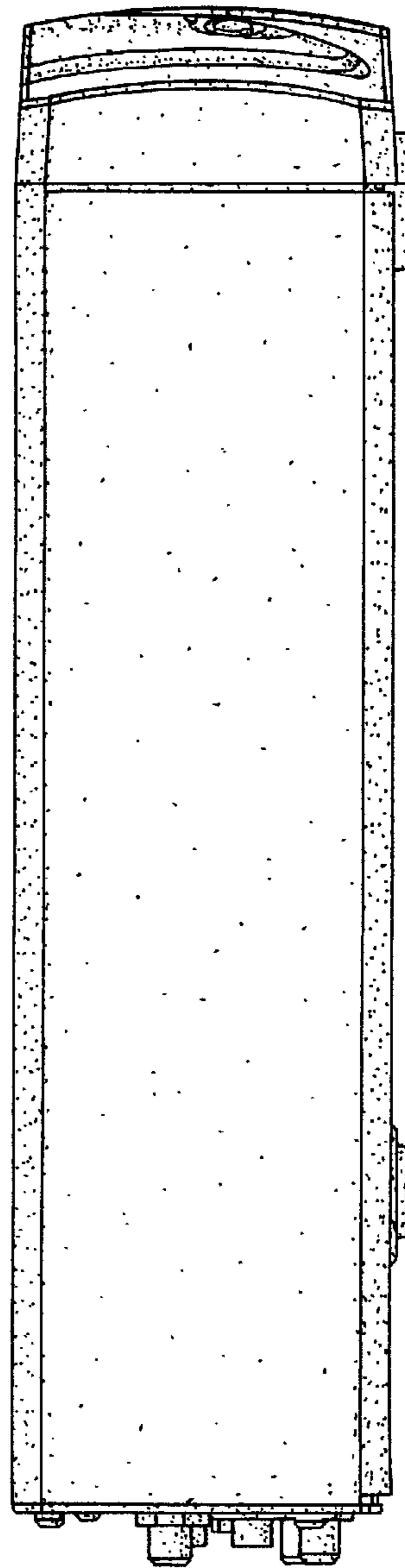


Figure 6

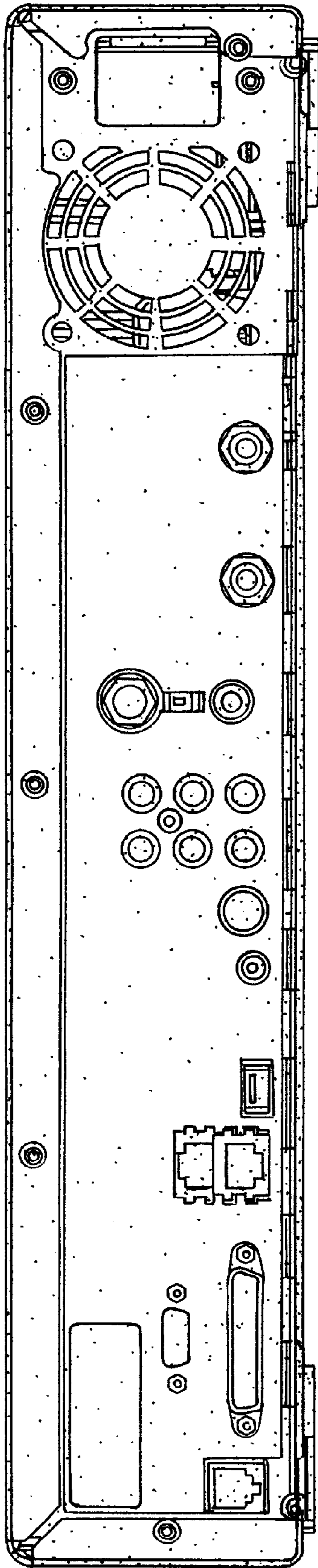


Figure 7