



US00D445090S

(12) **United States Design Patent**
Payne et al.

(10) **Patent No.:** **US D445,090 S**
(45) **Date of Patent:** **** Jul. 17, 2001**

(54) **SCANNER/PRINTER POWER CORD
TETHER**

(75) Inventors: **David M. Payne**, Meridian; **Joseph M. Wax**, Boise, both of ID (US)

(73) Assignee: **Hewlett-Packard Company**, Palo Alto, CA (US)

(**) Term: **14 Years**

(21) Appl. No.: **29/132,490**

(22) Filed: **Nov. 8, 2000**

(51) **LOC (7) Cl.** **13-03**

(52) **U.S. Cl.** **D13/139.7**

(58) **Field of Search** D13/137.4, 139.7;
439/502, 650, 654, 638, 698

(56) **References Cited**

U.S. PATENT DOCUMENTS

- 5,466,172 * 11/1995 Carstens et al. 439/502 X
- 5,855,494 * 1/1999 Blaszczyk et al. 439/502
- 6,190,199 * 2/2001 Bump et al. 439/502 X

* cited by examiner

Primary Examiner—Susan J. Lucas
Assistant Examiner—Jennifer Rivard

(57) **CLAIM**

The ornamental design for a scanner/printer power cord tether, as shown and described.

DESCRIPTION

FIG. 1 is a perspective view of the scanner/printer power cord tether showing our new ornamental design.

FIG. 2 is a rear elevational view thereof.

FIG. 3 is a front elevational view thereof.

FIG. 4 is a left elevational view thereof.

FIG. 5 is right elevational view thereof.

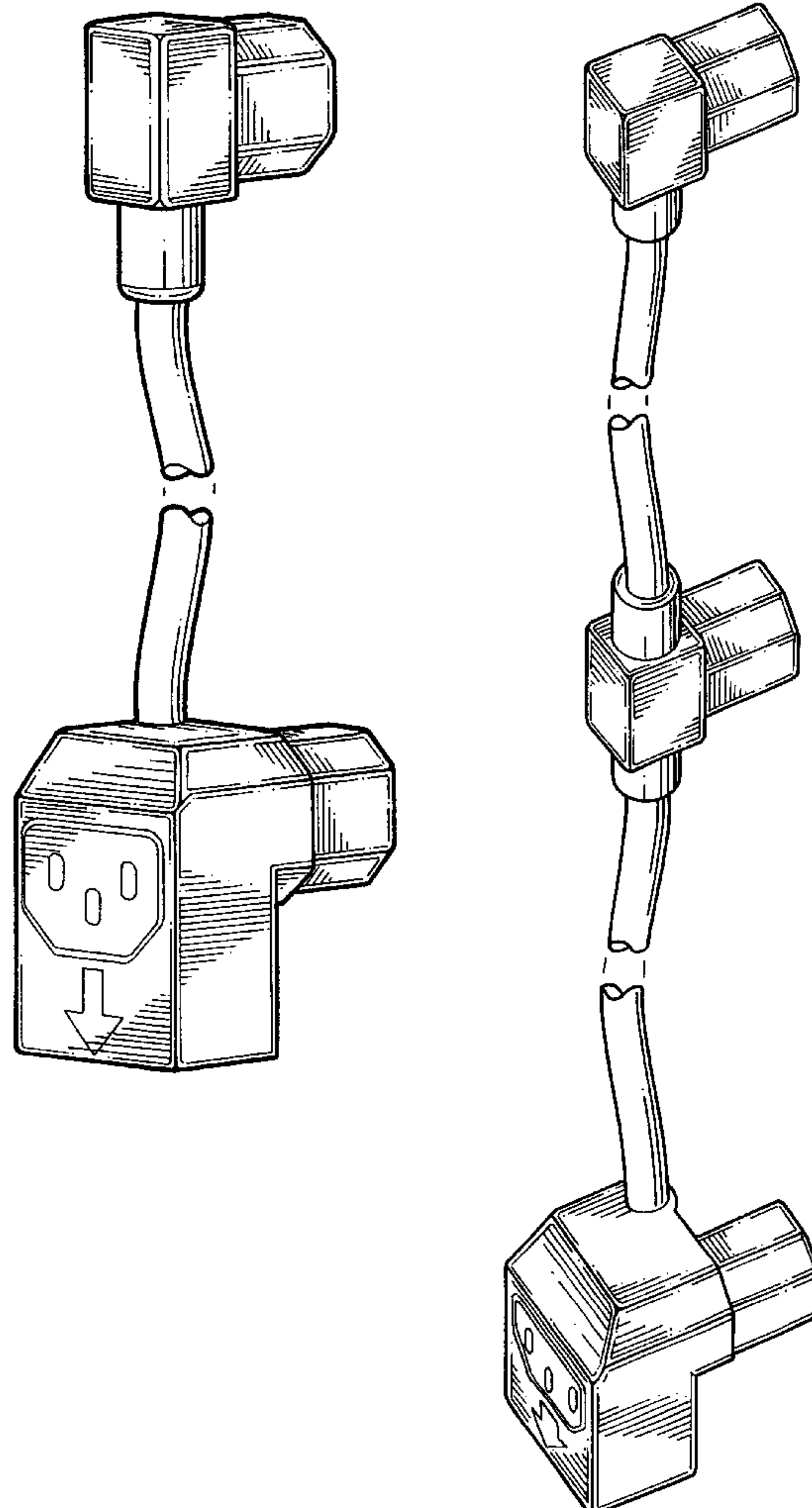
FIG. 6 is a top plan view thereof.

FIG. 7 is a bottom plan view thereof; and,

FIG. 8 is a perspective view of another embodiment of a scanner/printer power cord tether.

The claimed design is shown broken away to indicate indeterminate length.

1 Claim, 4 Drawing Sheets



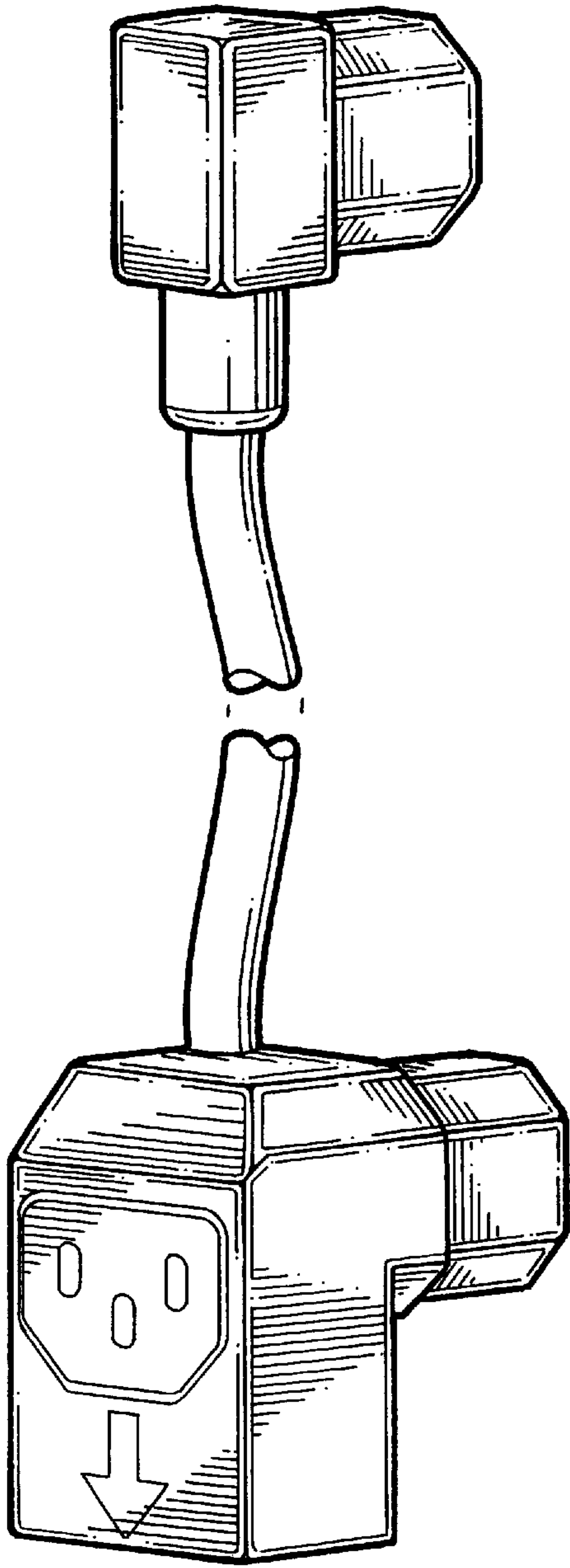


FIG. 1

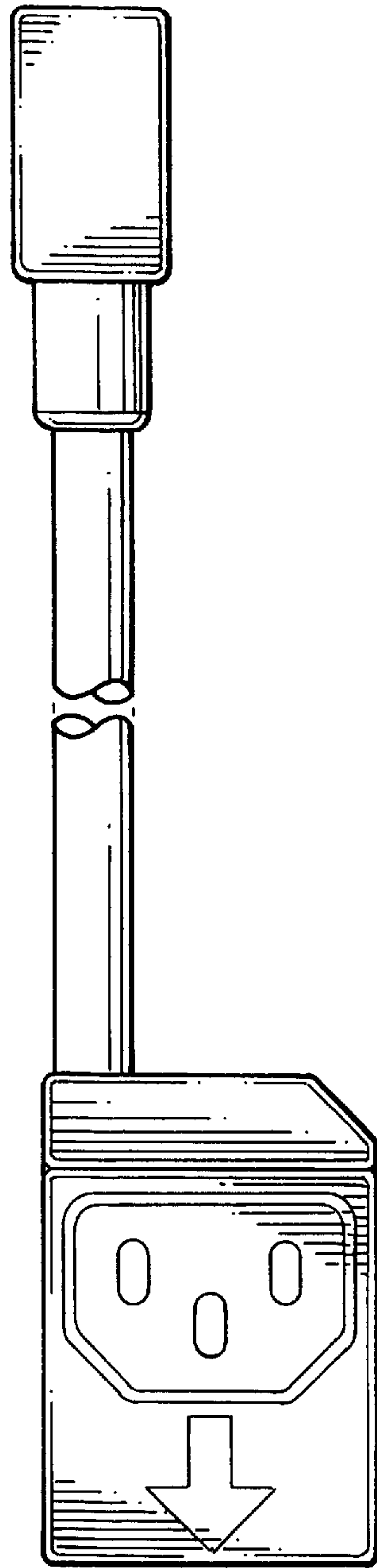


FIG. 2

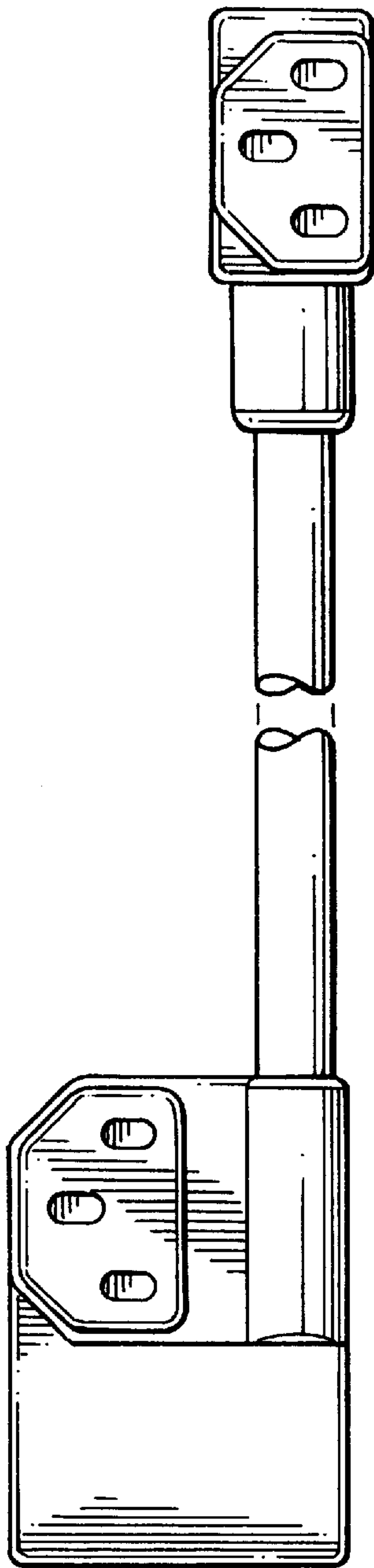


FIG. 3

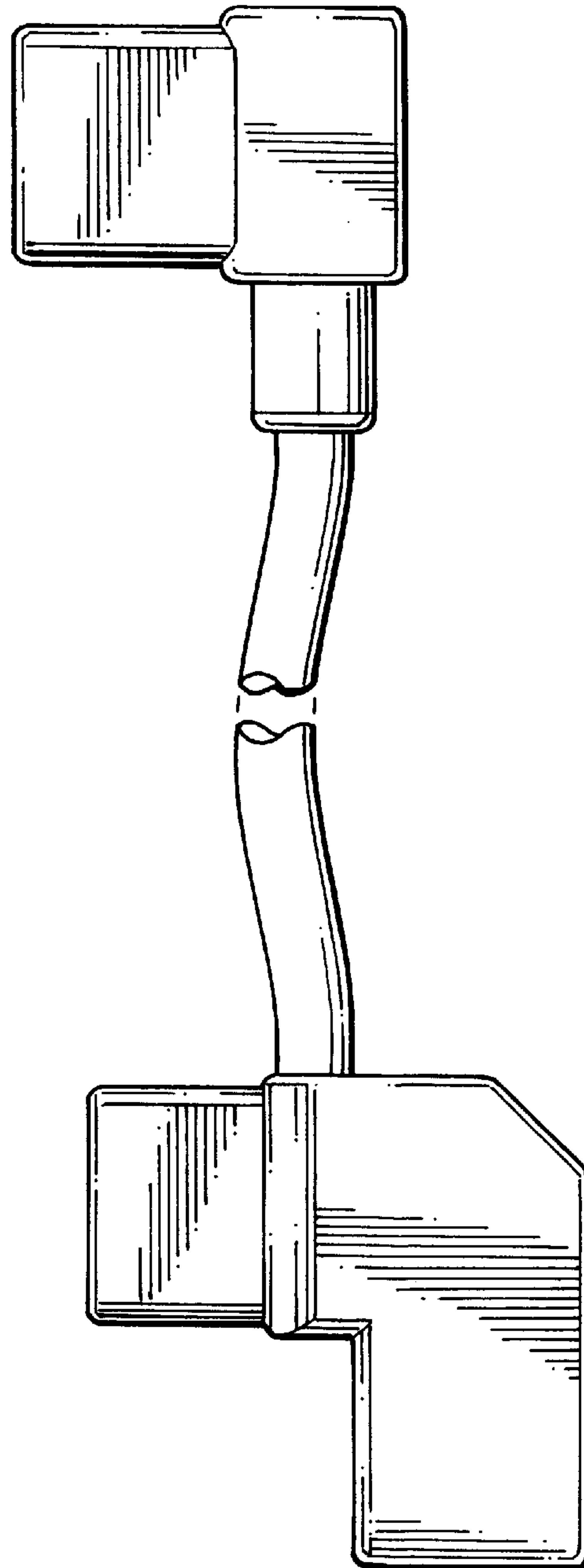


FIG. 4

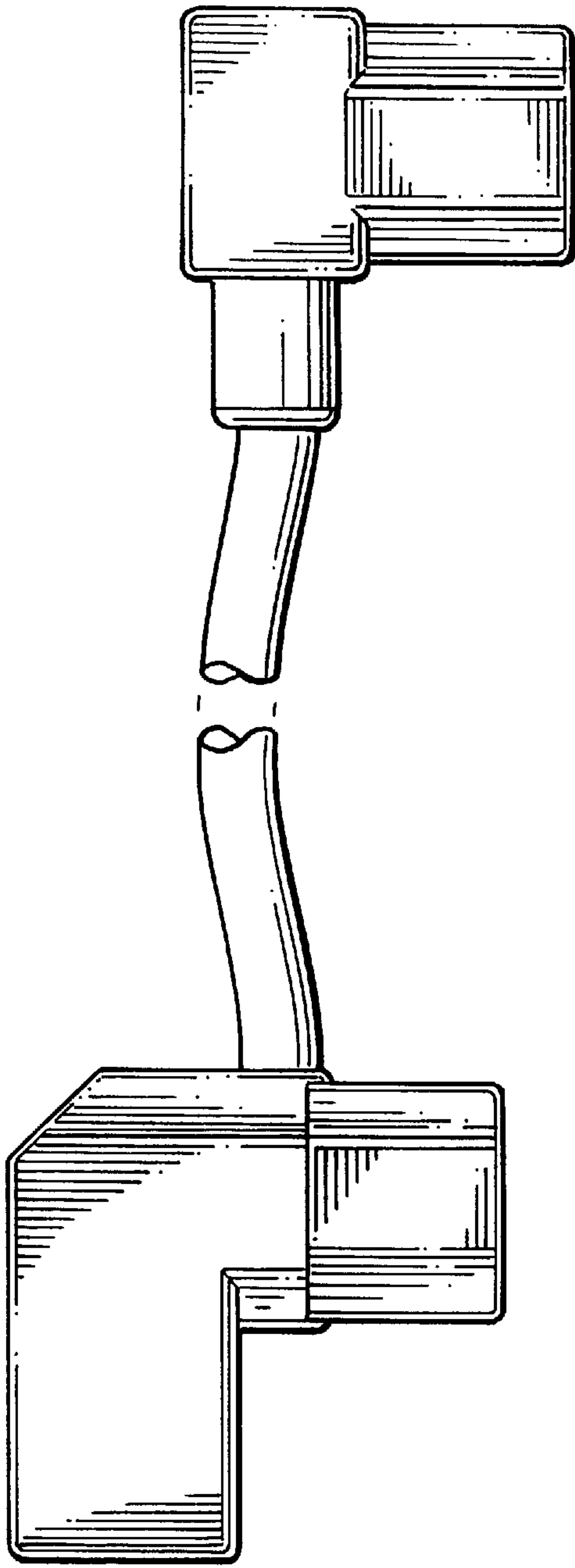


FIG. 5

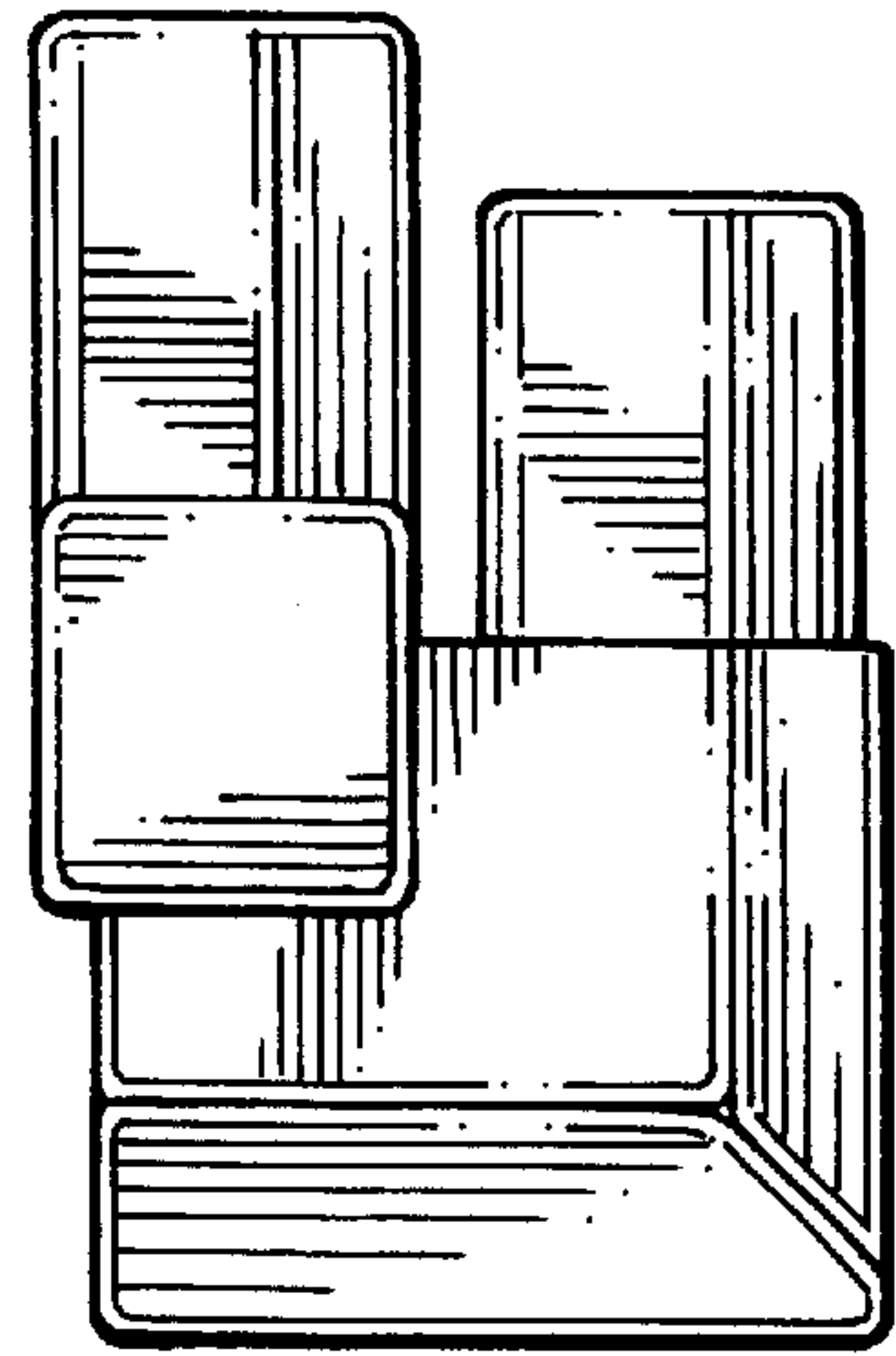


FIG. 6

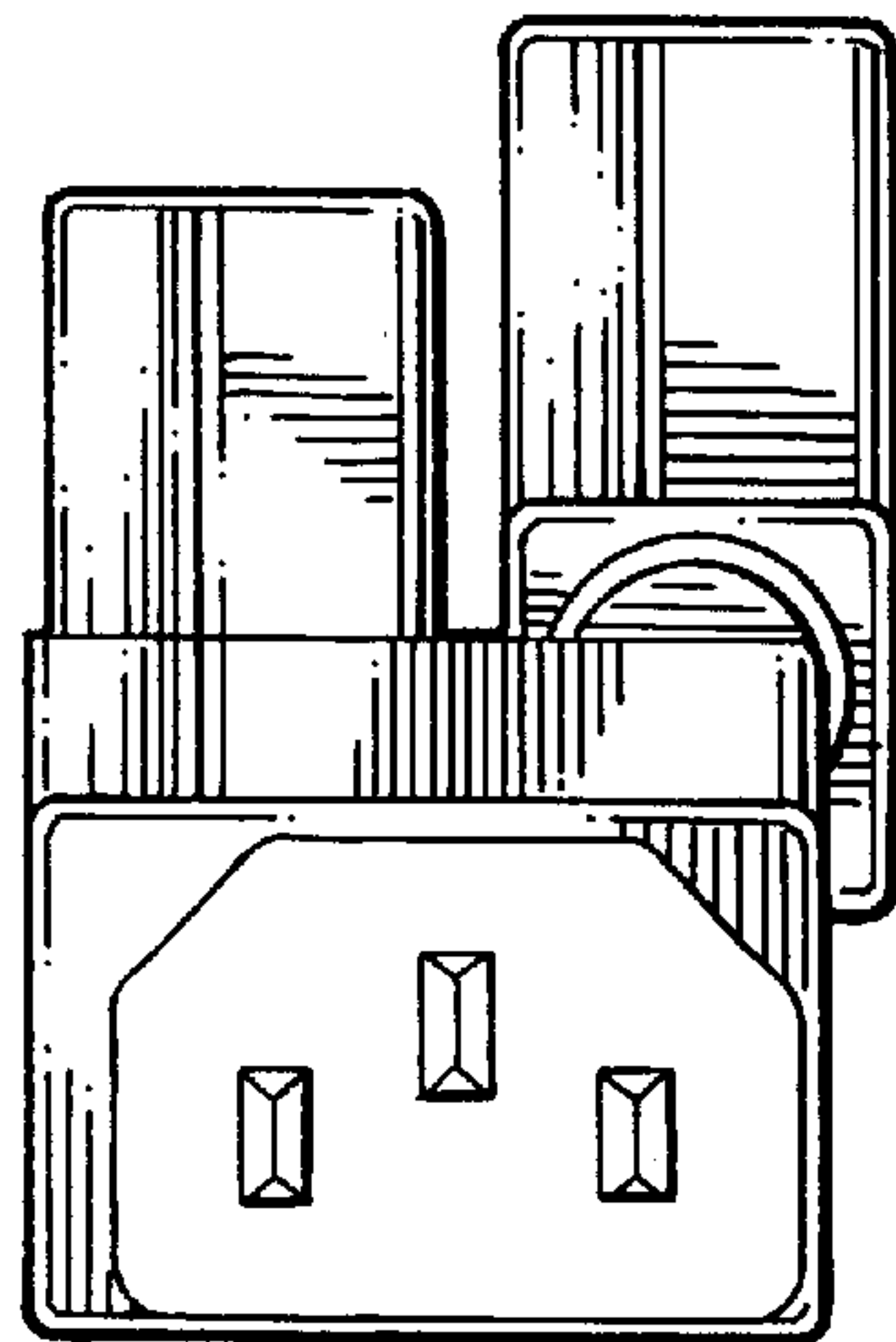


FIG. 7

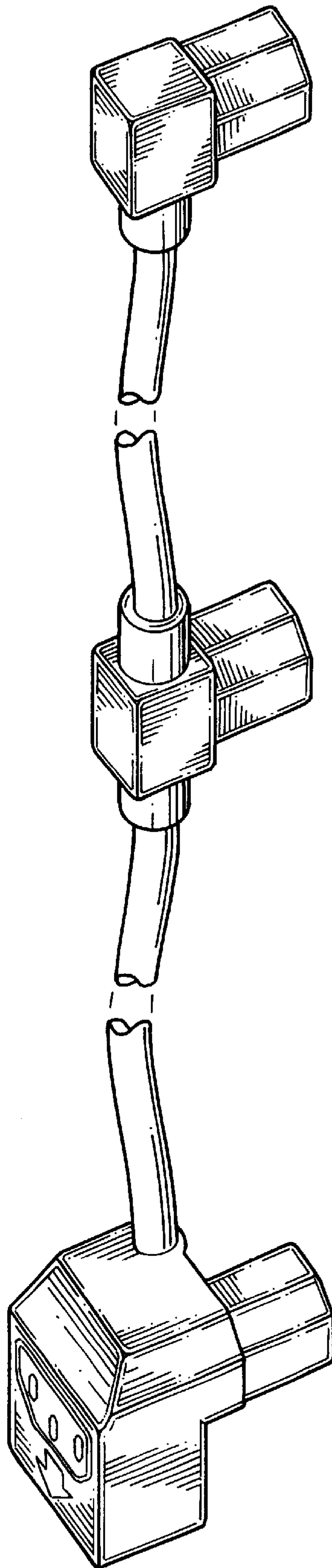


FIG. 8