



US00D445088S

(12) **United States Design Patent**
Sasaoka

(10) **Patent No.:** **US D445,088 S**

(45) **Date of Patent:** **** Jul. 17, 2001**

(54) **SOLAR BATTERY MODULE**

6,025,555 * 2/2000 Mori et al. 136/251
6,160,215 * 12/2000 Curtin 136/244

(75) Inventor: **Makoto Sasaoka**, Kyotanabe (JP)

OTHER PUBLICATIONS

(73) Assignee: **Canon Kabushiki Kaisha**, Tokyo (JP)

Application No. 29/128,148, filed Aug. 21, 2000.

(**) Term: **14 Years**

Application No. 29/128,149, filed Aug. 21, 2000.

(21) Appl. No.: **29/128,147**

Application No. 29/128,146, filed Aug. 21, 2000.

(22) Filed: **Aug. 21, 2000**

Application No. 29/128,150, filed Aug. 21, 2000.

(30) **Foreign Application Priority Data**

* cited by examiner

Feb. 29, 2000 (JP) 12-008855

Primary Examiner—Joel Sincavage

(51) **LOC (7) Cl.** **13-02**

(74) *Attorney, Agent, or Firm*—Fitzpatrick, Cella, Harper & Scinto

(52) **U.S. Cl.** **D13/119; D13/102**

(58) **Field of Search** **D13/102, 103,**
D13/119; 136/243–251

(57) **CLAIM**

The ornamental design for a solar battery module, as shown and described.

(56) **References Cited**

DESCRIPTION

U.S. PATENT DOCUMENTS

- D. 236,473 * 8/1975 Kerlin et al. D13/102
- D. 283,536 * 4/1986 Fossum D13/102
- D. 380,441 * 7/1997 Fukuhara et al. D13/102
- D. 389,454 * 1/1998 Mori D13/102
- 5,330,583 * 7/1994 Asai et al. 136/251
- 5,647,915 * 7/1997 Zukerman 136/251
- 5,681,402 * 10/1997 Ichinose et al. 136/256
- 5,968,287 * 10/1999 Nath 136/251

FIG. 1 is a front view of a solar battery module, showing my new design;

FIG. 2 is a rear view thereof;

FIG. 3 is a top plan view thereof;

FIG. 4 is a bottom plan view thereof;

FIG. 5 is a left side view thereof;

FIG. 6 is a right side view thereof; and,

FIG. 7 is a perspective view thereof.

1 Claim, 3 Drawing Sheets

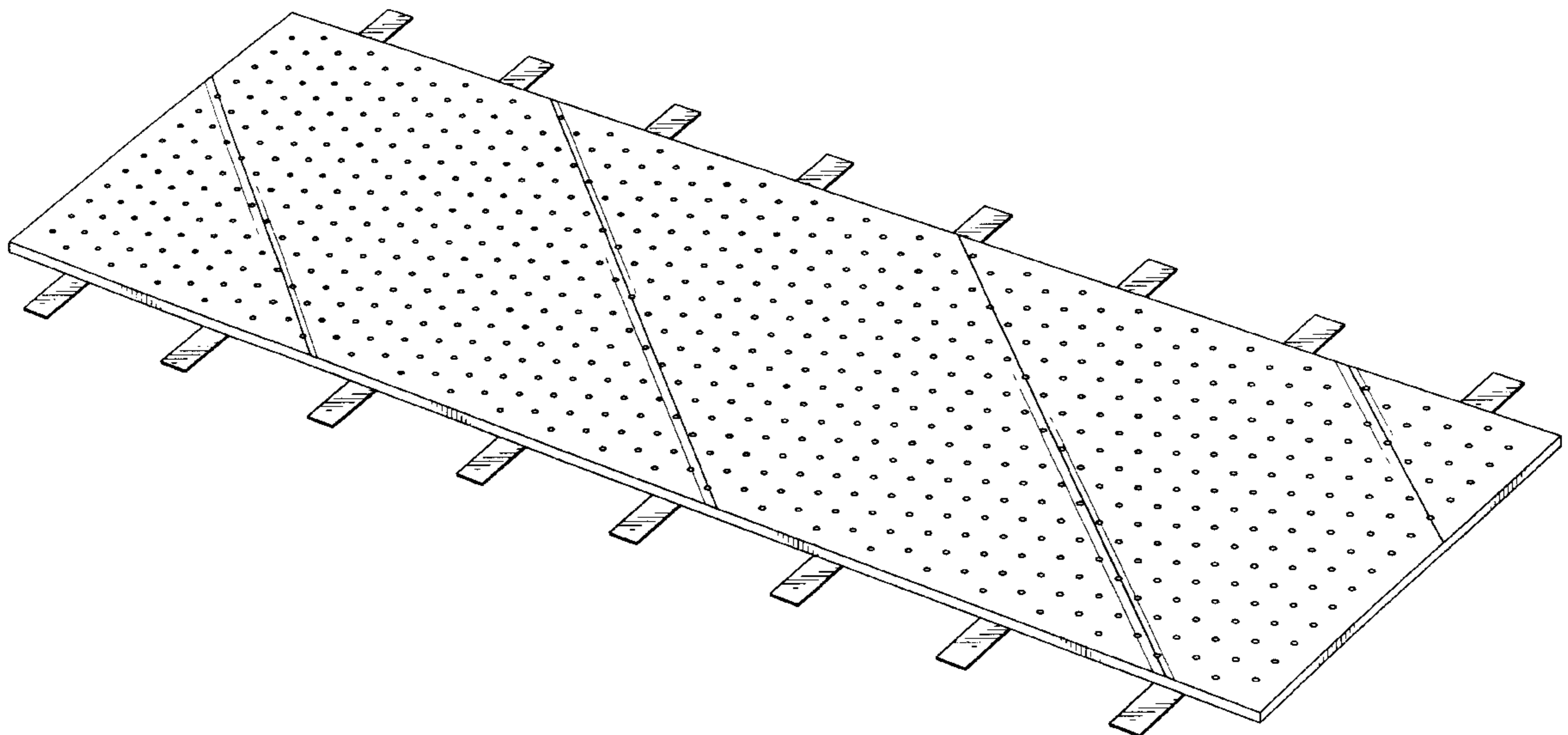


FIG. 1

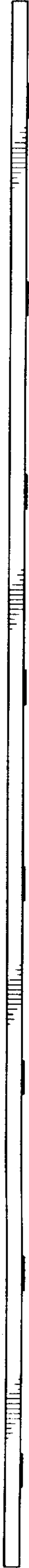


FIG. 2



FIG. 3

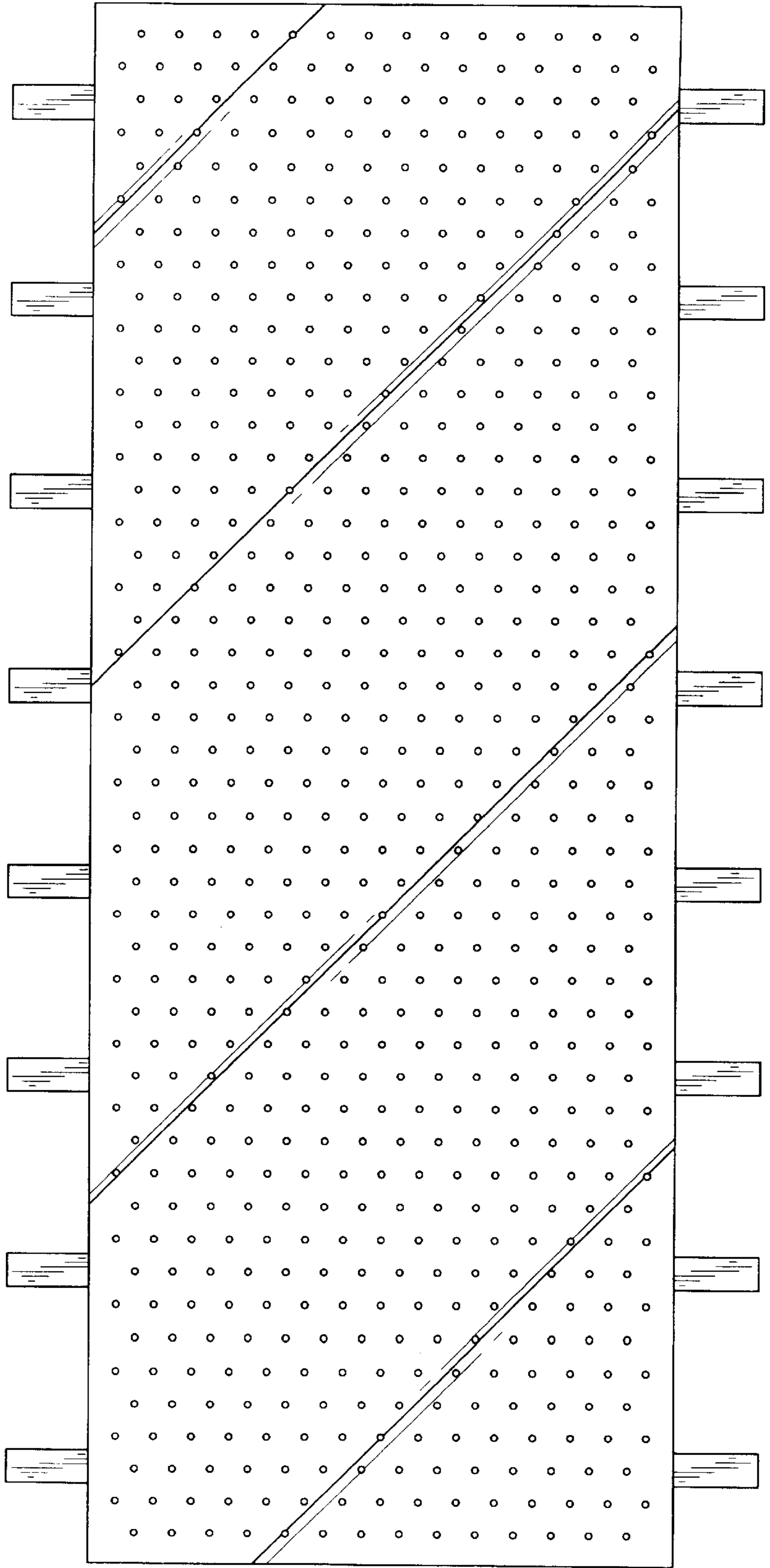


FIG. 4

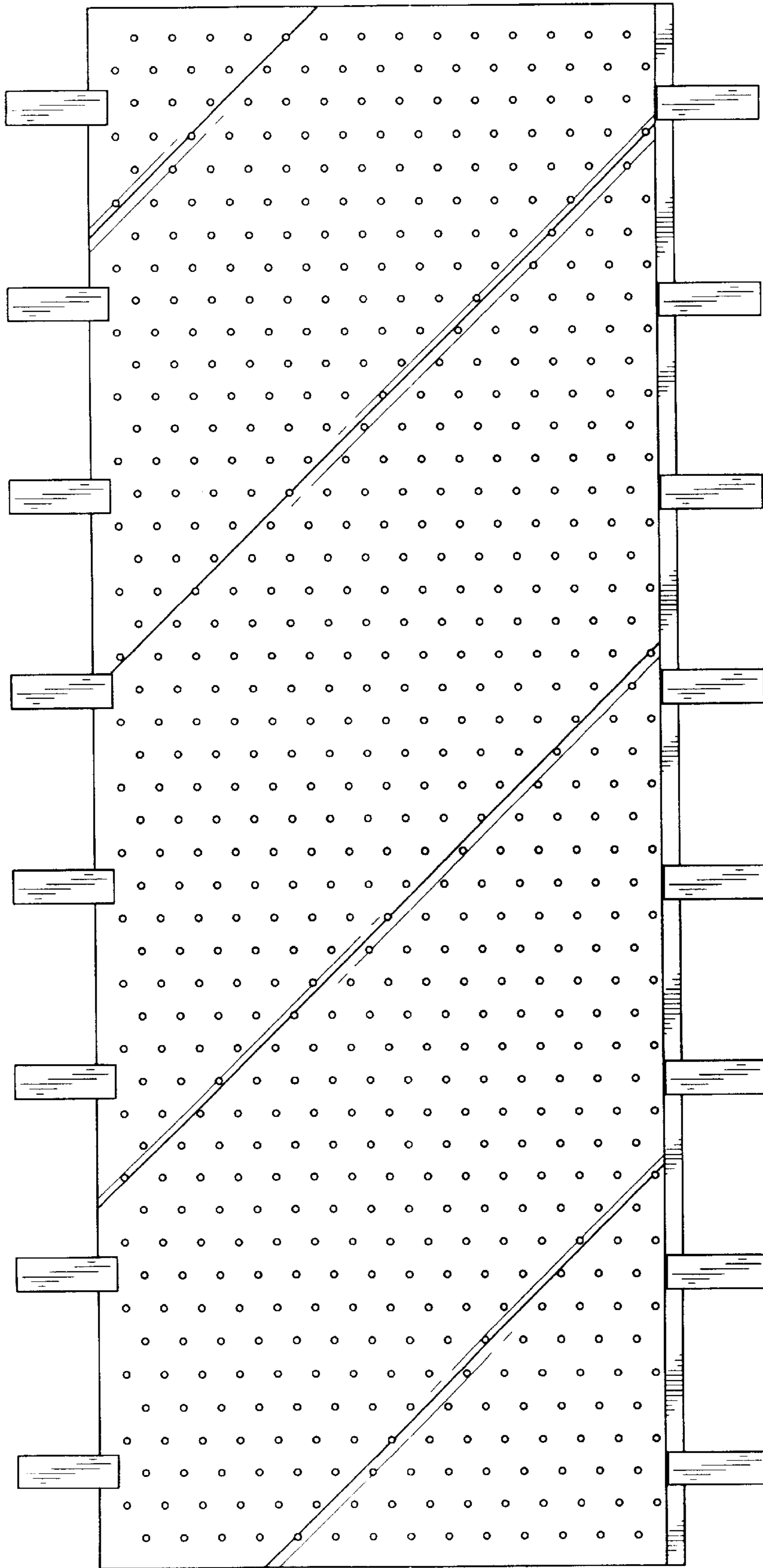


FIG. 6

FIG. 5



FIG. 7

