



US00D445083S

(12) **United States Design Patent**
Chung

(10) **Patent No.:** **US D445,083 S**

(45) **Date of Patent:** **** Jul. 17, 2001**

(54) **AUTOMOTIVE WHEEL**

(75) **Inventor:** **Suny Chung**, Placentia, CA (US)

(73) **Assignee:** **Synergies America Inc.**, Farmington Hills, MI (US)

(**) **Term:** **14 Years**

(21) **Appl. No.:** **29/135,525**

(22) **Filed:** **Jan. 16, 2001**

(51) **LOC (7) Cl.** **12-16**

(52) **U.S. Cl.** **D12/211**

(58) **Field of Search** D12/204-211;
301/37.1, 64.1, 65

(56) **References Cited**

U.S. PATENT DOCUMENTS

D. 380,432	*	7/1997	Hettler	D12/209
D. 398,574	*	9/1998	McMath	D12/211
D. 407,364	*	3/1999	Fisker	D12/209
D. 412,692	*	8/1999	Hussaini	D12/209
D. 417,646	*	12/1999	Baumgartner	D12/211

D. 421,417	*	3/2000	Weidhase	D12/209
D. 427,555	*	7/2000	Hall	D12/209
D. 428,846	*	8/2000	Yoshida et al.	D12/211
D. 429,681	*	8/2000	Cullen	D12/211
D. 432,974	*	10/2000	Jablonski	D12/211
D. 435,502	*	12/2000	Donikoglu	D12/211
D. 437,819	*	2/2001	Brown et al.	D12/209

* cited by examiner

Primary Examiner—Stacia Cadmus

(74) *Attorney, Agent, or Firm*—G. Donald Weber, Jr.

(57) **CLAIM**

The ornamental design for an automotive wheel, as shown and described.

DESCRIPTION

FIG. 1 is an oblique view of the automotive wheel of the instant invention; and,

FIG. 2 is a front view of the automotive wheel of the instant invention.

The broken line showing of environment is for illustrative purposes only and forms no part of the claimed design.

1 Claim, 1 Drawing Sheet

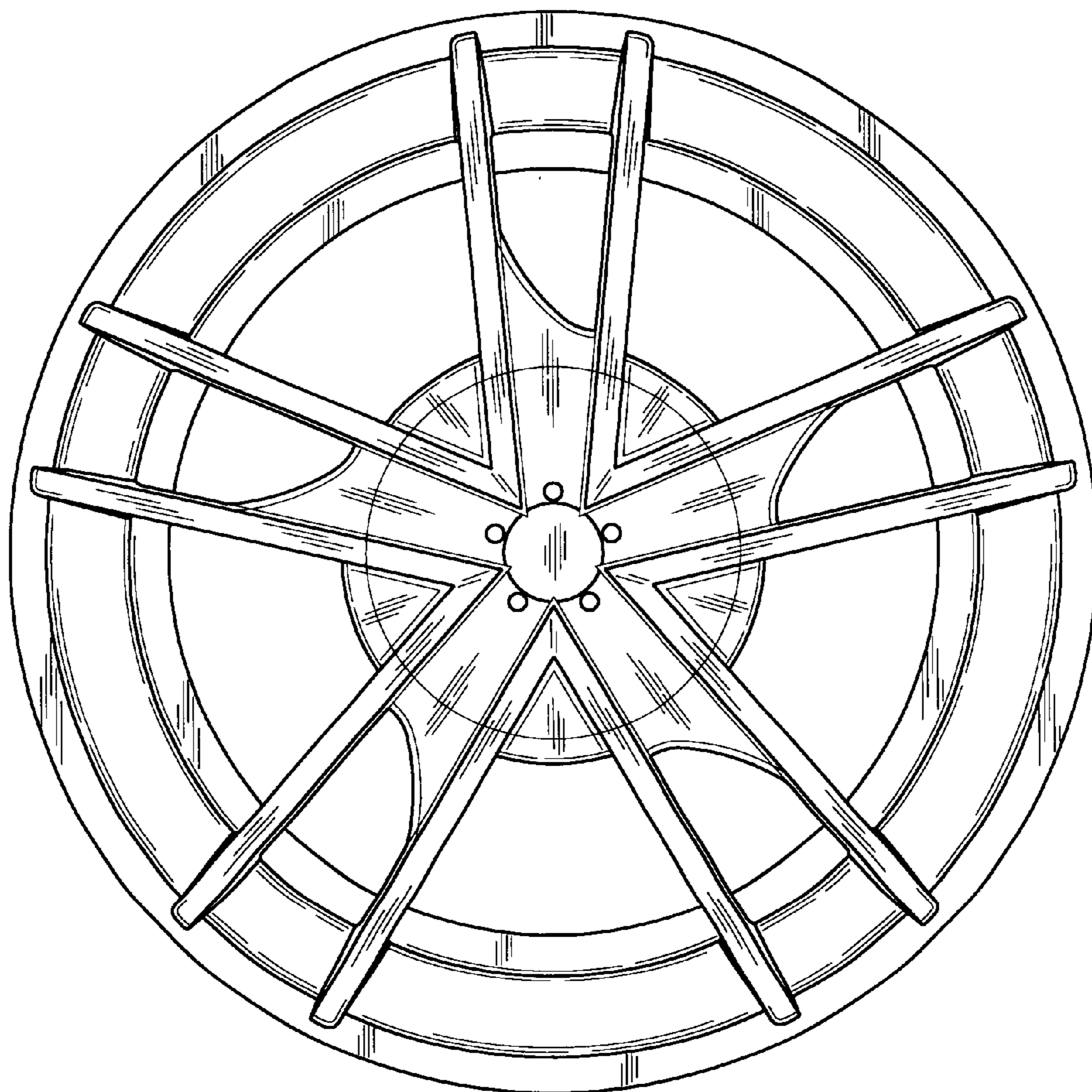


Fig-1

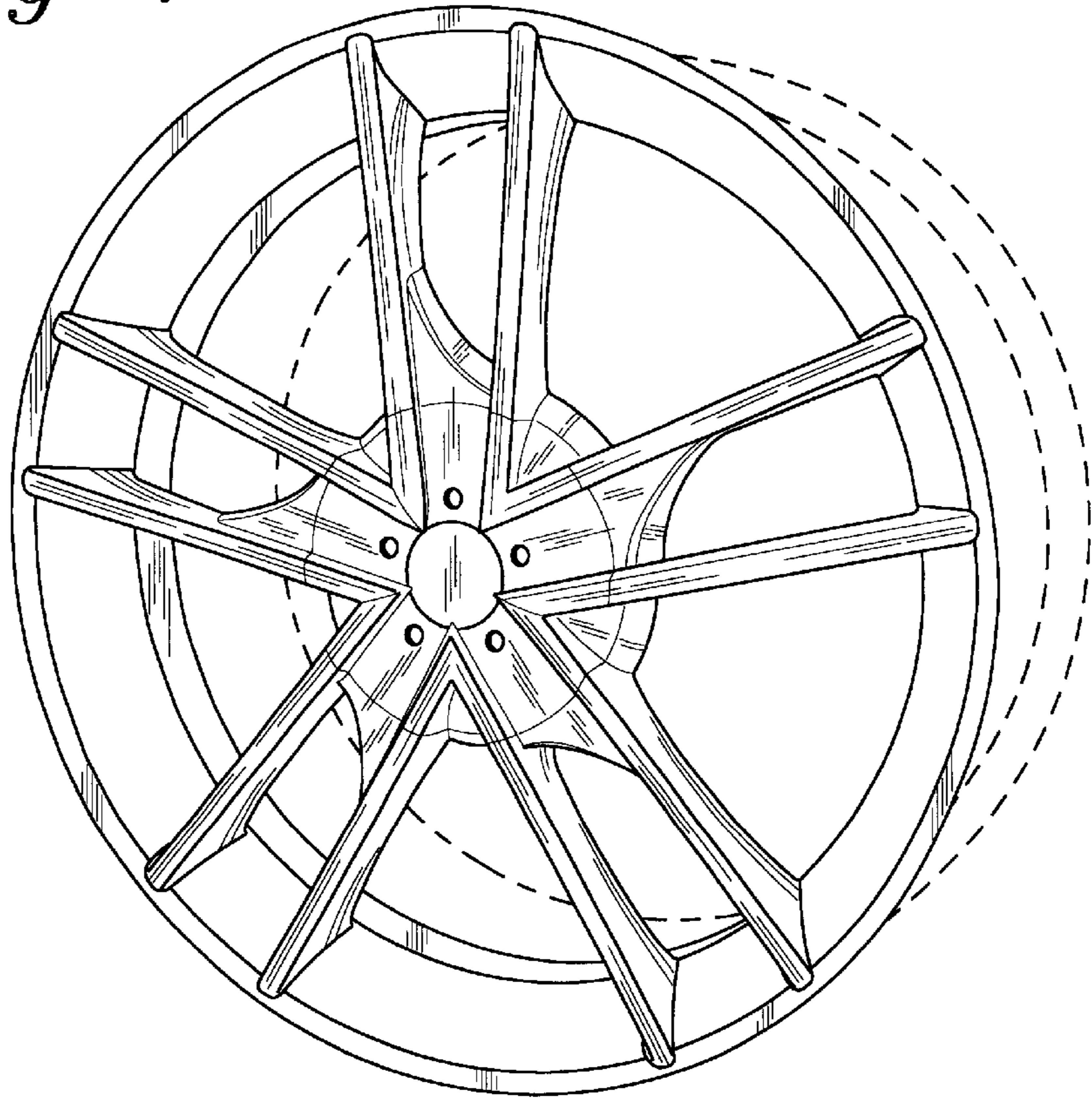


Fig-2

