



US00D445082S

(12) **United States Design Patent**  
**Chung**

(10) **Patent No.:** **US D445,082 S**

(45) **Date of Patent:** **\*\* Jul. 17, 2001**

(54) **AUTOMOTIVE WHEEL**

(75) **Inventor:** **Suny Chung**, Placentia, CA (US)

(73) **Assignee:** **MKW Alloys, Inc.**, City of Industry, CA (US)

(\*\*) **Term:** **14 Years**

(21) **Appl. No.:** **29/133,034**

(22) **Filed:** **Nov. 20, 2000**

(51) **LOC (7) Cl.** ..... **12-16**

(52) **U.S. Cl.** ..... **D12/211**

(58) **Field of Search** ..... D12/204-211;  
301/37.1, 64.1, 65

- D. 423,442 \* 4/2000 Hussaini et al. .... D12/209
- D. 432,972 \* 10/2000 Chung ..... D12/209
- D. 433,373 \* 11/2000 Hussaini et al. .... D12/209
- D. 433,374 \* 11/2000 Wang ..... D12/209
- D. 433,658 \* 11/2000 Donikoglu ..... D12/209

\* cited by examiner

*Primary Examiner*—Stacia Cadmus

(74) *Attorney, Agent, or Firm*—G. Donald Weber, Jr.

(57) **CLAIM**

The ornamental design for an automotive wheel, as shown and described.

**DESCRIPTION**

FIG. 1 is an oblique view of the automotive wheel of the instant invention; and,

FIG. 2 is a side elevation view of the automotive wheel of the instant invention.

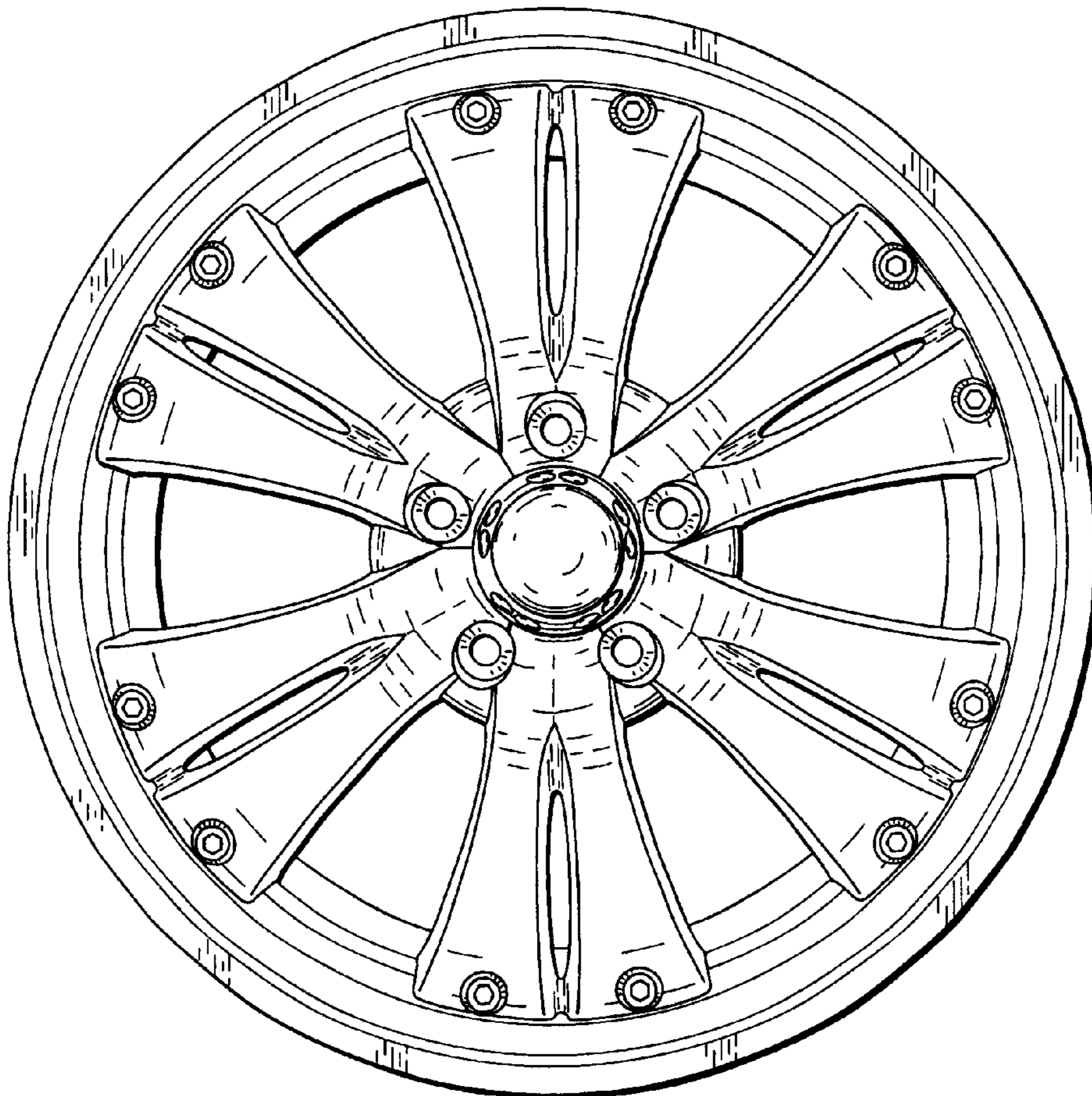
The broken line showing of environment is for illustrative purposes only and forms no part of the claimed design.

(56) **References Cited**

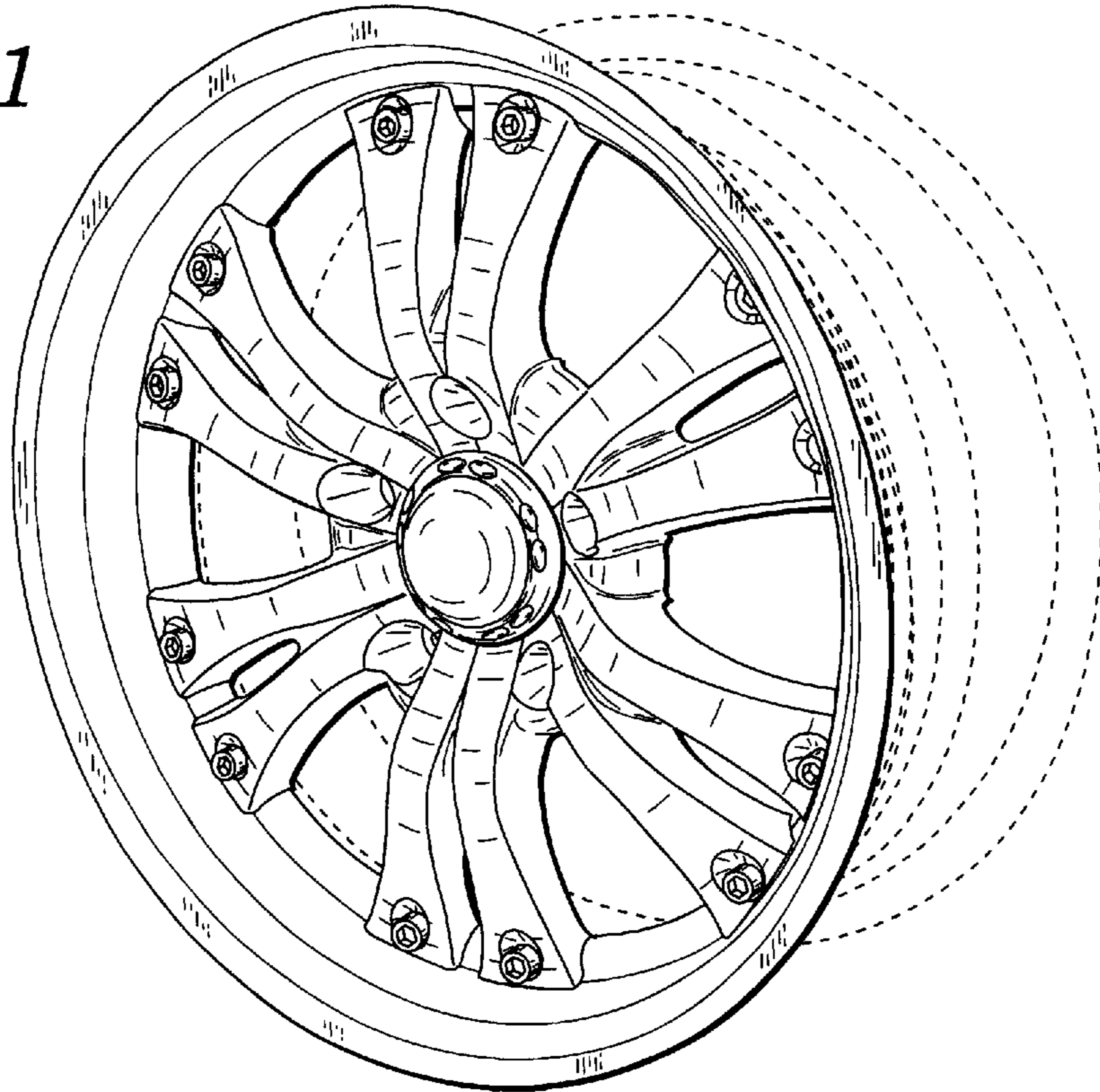
**U.S. PATENT DOCUMENTS**

- D. 398,573 \* 9/1998 Cattaneo ..... D12/211
- D. 408,345 \* 4/1999 Cullen ..... D12/209
- D. 418,794 \* 1/2000 Chung ..... D12/209
- D. 422,258 \* 4/2000 Hale, Jr. .... D12/211

**1 Claim, 1 Drawing Sheet**



*Fig-1*



*Fig-2*

