



US00D445080S

(12) **United States Design Patent**
Brunns et al.

(10) **Patent No.:** **US D445,080 S**

(45) **Date of Patent:** **** Jul. 17, 2001**

(54) **WHEEL**

(75) Inventors: **Mark W. Brunns**, Hutchinson; **Steven A. Brunns**, Hector, both of MN (US)

(73) Assignee: **Plastic Specialties, L.L.C.**, Hutchinson, MN (US)

(**) Term: **14 Years**

(21) Appl. No.: **29/136,059**

(22) Filed: **Jan. 25, 2001**

(51) **LOC (7) Cl.** **12-16**

(52) **U.S. Cl.** **D12/210**

(58) **Field of Search** D12/204-211;
301/37.1, 64.1, 65

(56) **References Cited**

U.S. PATENT DOCUMENTS

- D. 194,099 * 11/1962 Walsh D12/210
- D. 213,314 * 2/1969 Reid D12/210
- D. 219,967 * 2/1971 Harty D12/210

- D. 246,735 * 12/1977 Daenen D12/210
- D. 264,834 * 6/1982 Main D12/210
- D. 325,011 * 3/1992 Markling D12/210
- D. 361,975 * 9/1995 Weld D12/210
- D. 427,961 * 7/2000 Donikoglu D12/210
- D. 430,094 * 8/2000 Hale, Jr. D12/210
- D. 432,070 * 10/2000 Melbinger D12/210
- D. 436,910 * 1/2001 Hale, Jr. D12/210

* cited by examiner

Primary Examiner—Stacia Cadmus

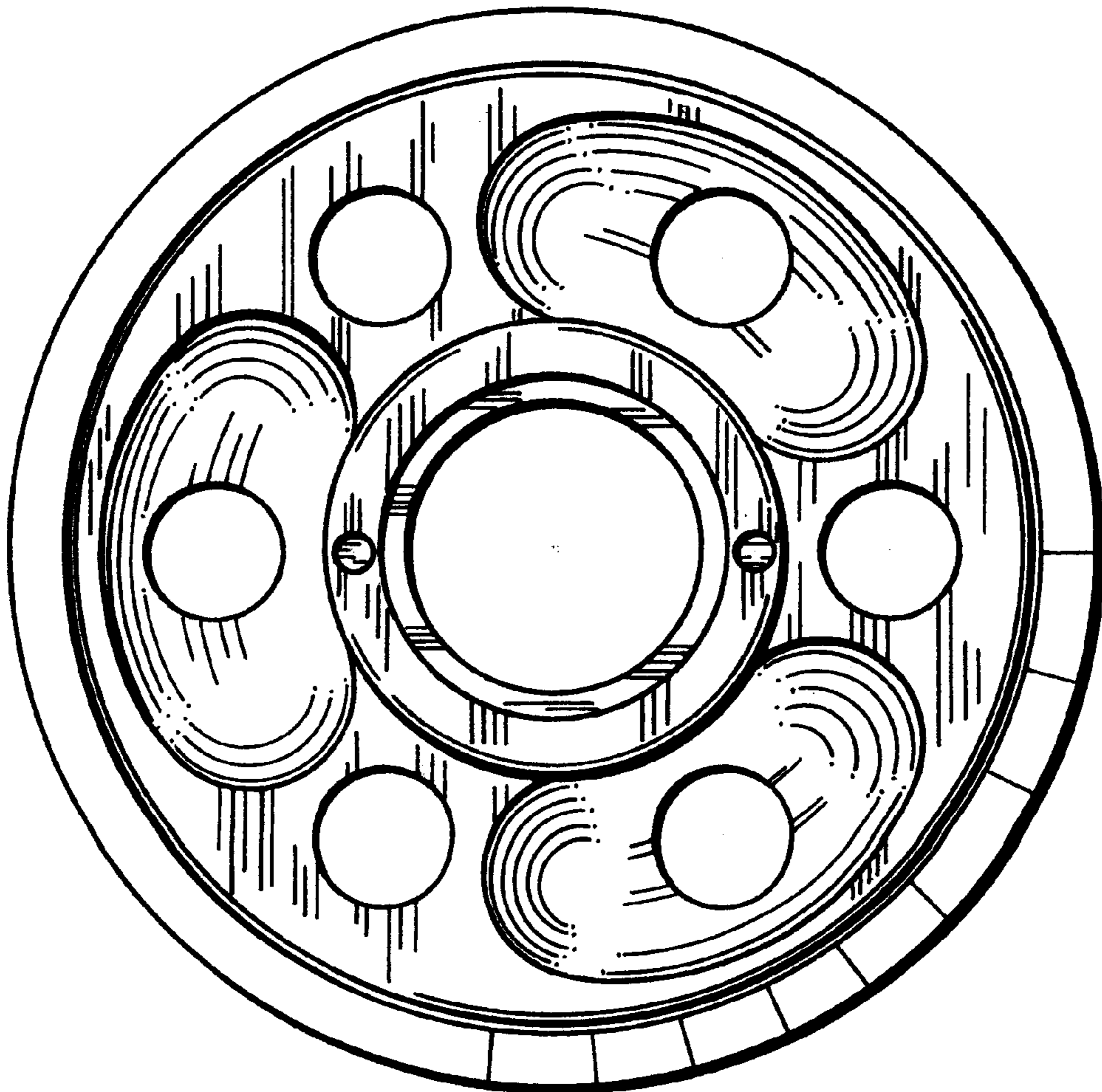
(57) **CLAIM**

The ornamental design for a wheel, as shown and described.

DESCRIPTION

FIG. 1 is a perspective view of the wheel of our new design; FIG. 2 is a front elevational view thereof; FIG. 3 is a rear elevational view thereof; and, FIG. 4 is a side elevational view thereof, the opposite side elevational view being a mirror image thereof. The top and bottom plan views are identical to FIG. 4.

1 Claim, 2 Drawing Sheets



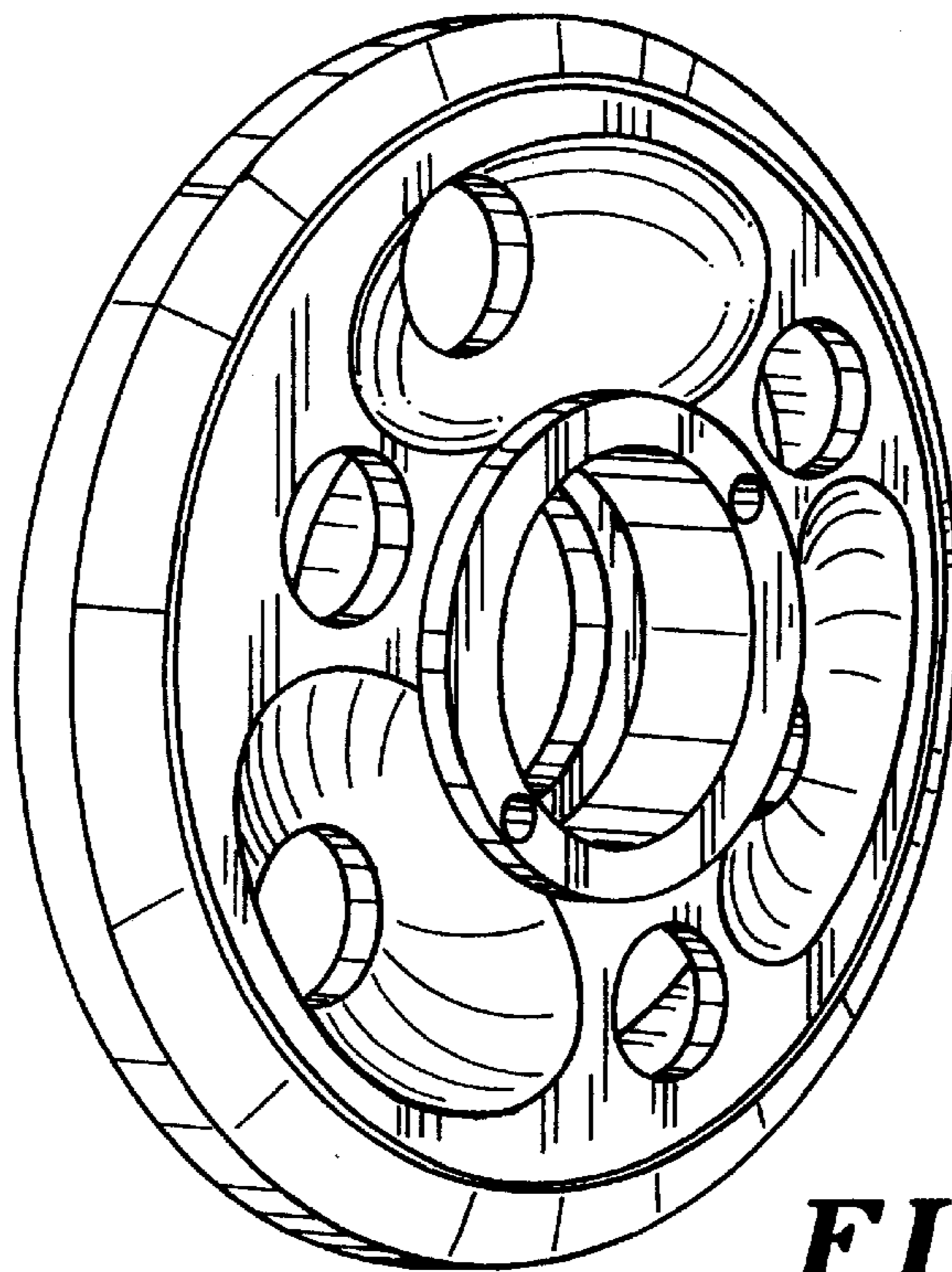


FIG. 1

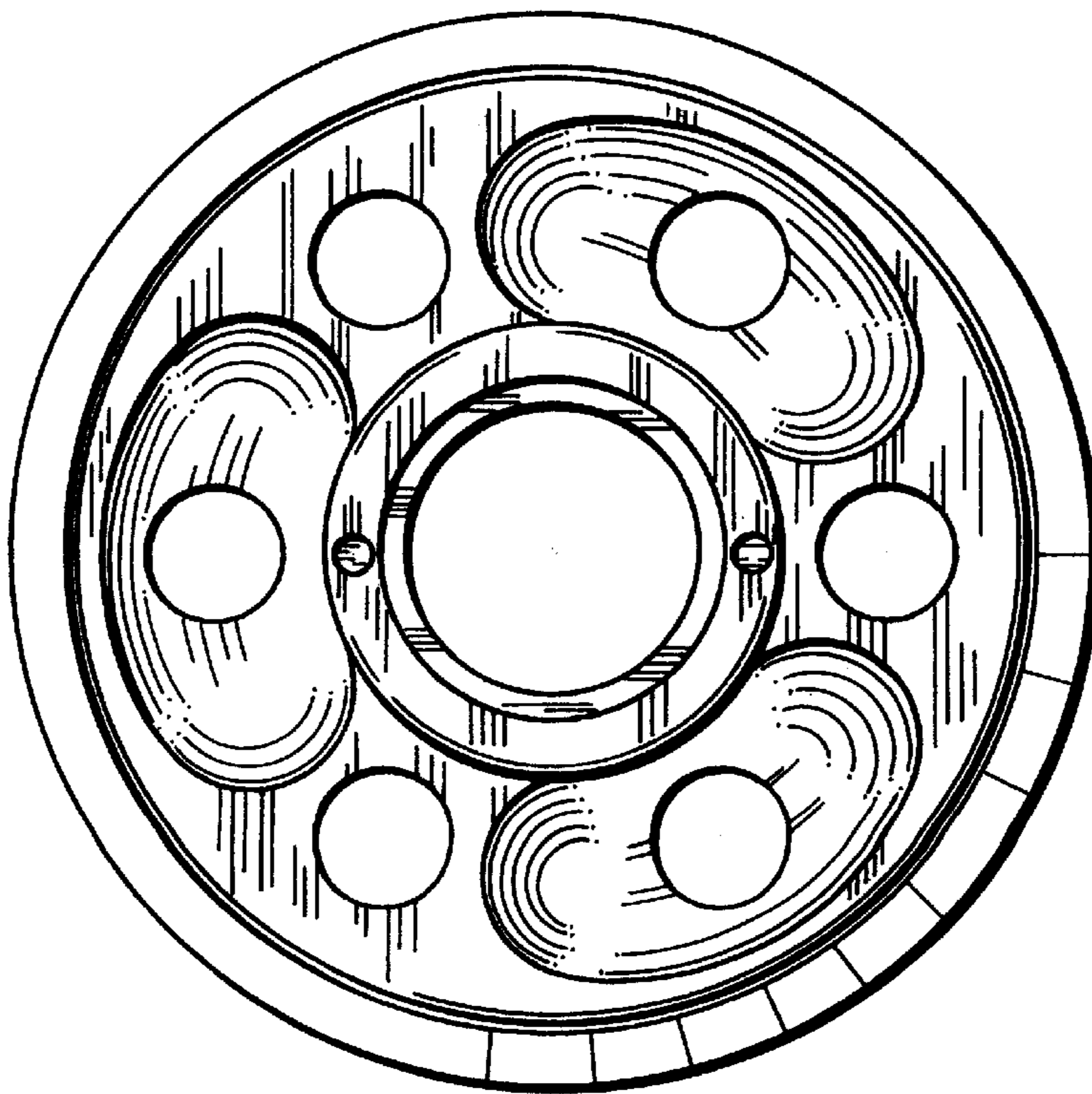


FIG. 2

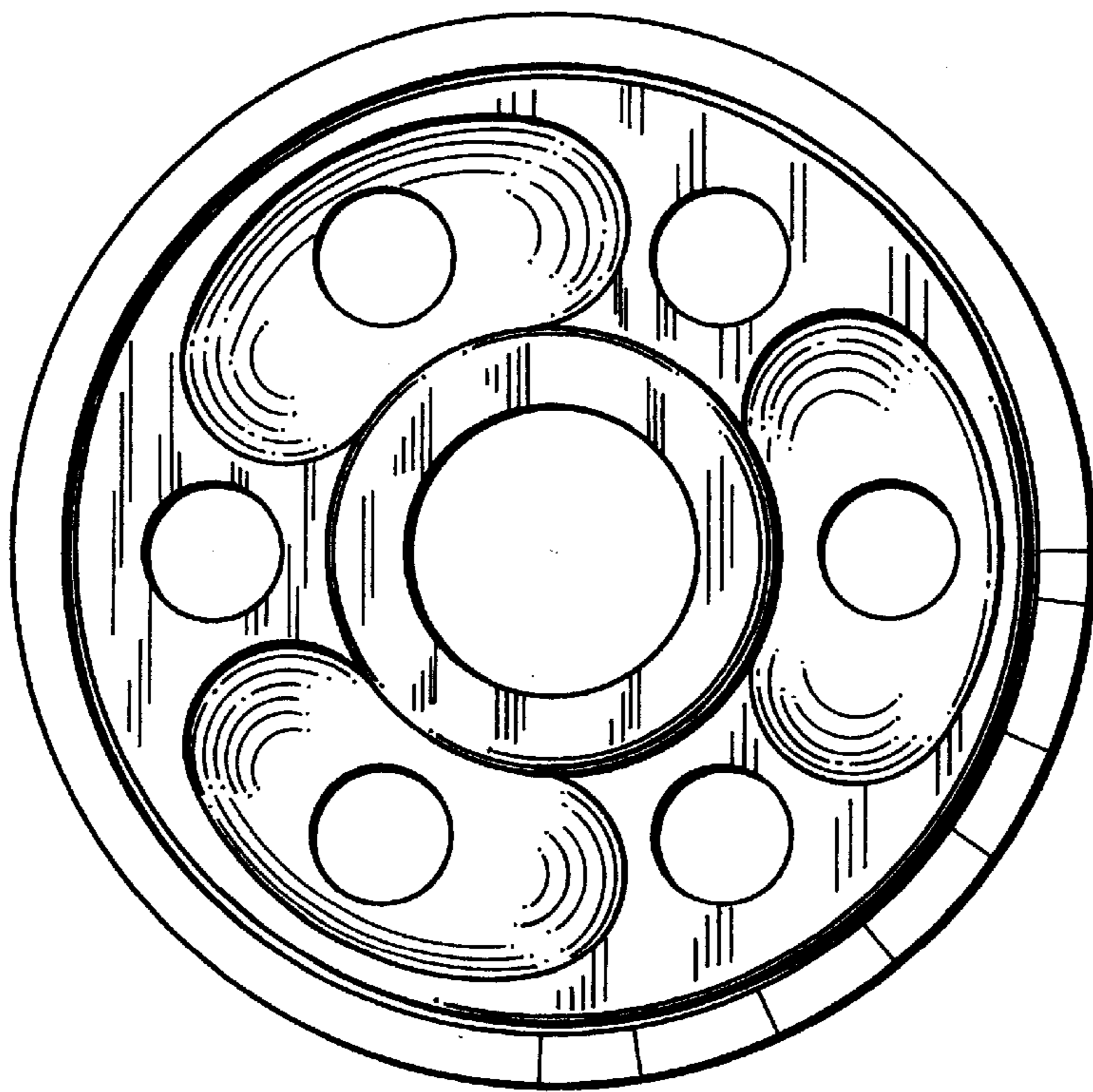


FIG. 3



FIG. 4