



US00D445079S

(12) **United States Design Patent**
Lee

(10) **Patent No.:** **US D445,079 S**

(45) **Date of Patent:** **** Jul. 17, 2001**

(54) **AUTOMOTIVE WHEEL**

(75) **Inventor:** **Seon Kyu Lee, Fullerton, CA (US)**

(73) **Assignee:** **Sancro International, Sante Fe Springs, CA (US)**

(**) **Term:** **14 Years**

(21) **Appl. No.:** **29/135,602**

(22) **Filed:** **Jan. 16, 2001**

(51) **LOC (7) Cl.** **12-16**

(52) **U.S. Cl.** **D12/209**

(58) **Field of Search** **D12/204-211;**
301/37.1, 64.1, 65

(56) **References Cited**

U.S. PATENT DOCUMENTS

D. 407,363	*	3/1999	Muzzarelli	D12/209
D. 408,345	*	4/1999	Cullen	D12/209
D. 411,501	*	6/1999	Cullen	D12/209
D. 416,532	*	11/1999	Cullen	D12/209
D. 416,846	*	11/1999	Melegari et al.	D12/209
D. 428,594	*	7/2000	Neeper	D12/209

D. 431,517	*	10/2000	Donikoglu	D12/209
D. 431,807	*	10/2000	Fitzgerald	D12/211
D. 433,371	*	11/2000	Donikoglu	D12/209
D. 433,373	*	11/2000	Hussaini et al.	D12/209
D. 436,574	*	1/2001	Tunstill	D12/211
D. 438,158	*	2/2001	Fitzgerald	D12/209
D. 438,159	*	2/2001	Kaucher	D12/209

* cited by examiner

Primary Examiner—Stacia Cadmus

(74) *Attorney, Agent, or Firm*—G. Donald Weber, Jr.

(57) **CLAIM**

The ornamental design for an automotive wheel, as shown and described.

DESCRIPTION

FIG. 1 is an oblique view of the automotive wheel of the instant invention; and,

FIG. 2 is a front view of the automotive wheel of the instant invention.

The broken line showing of environment is for illustrative purposes only and forms no part of the claimed design.

1 Claim, 1 Drawing Sheet

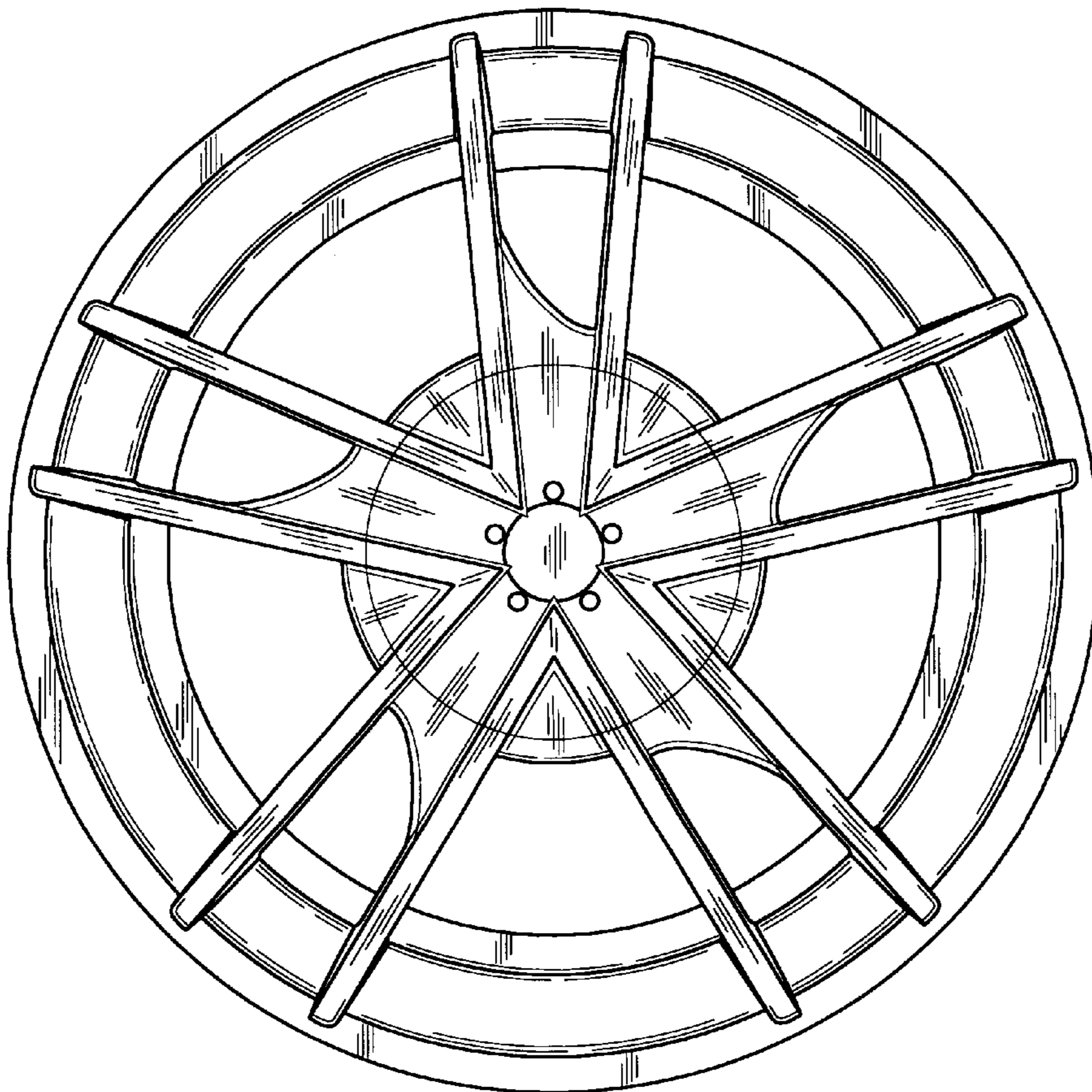


Fig-1

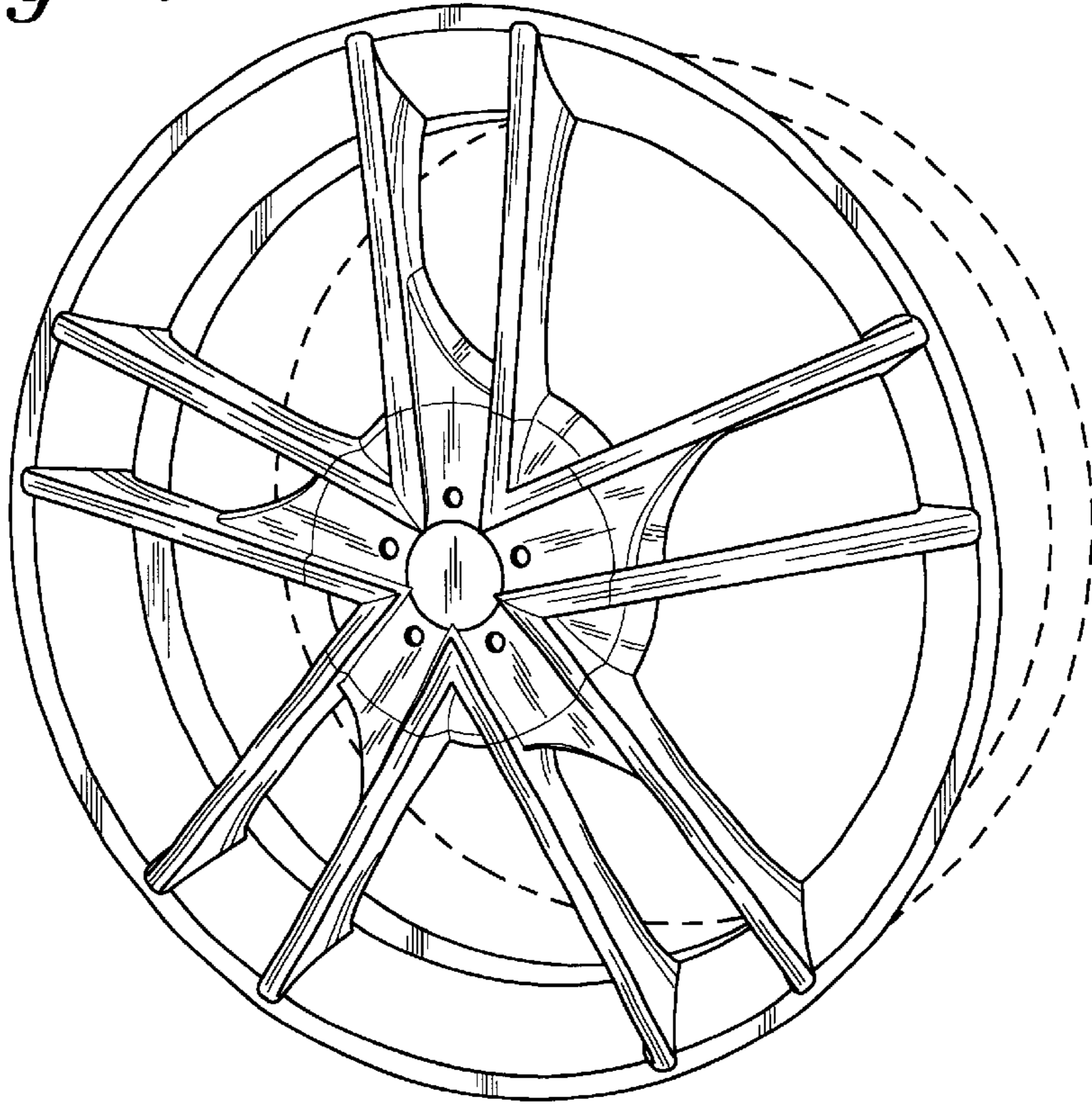
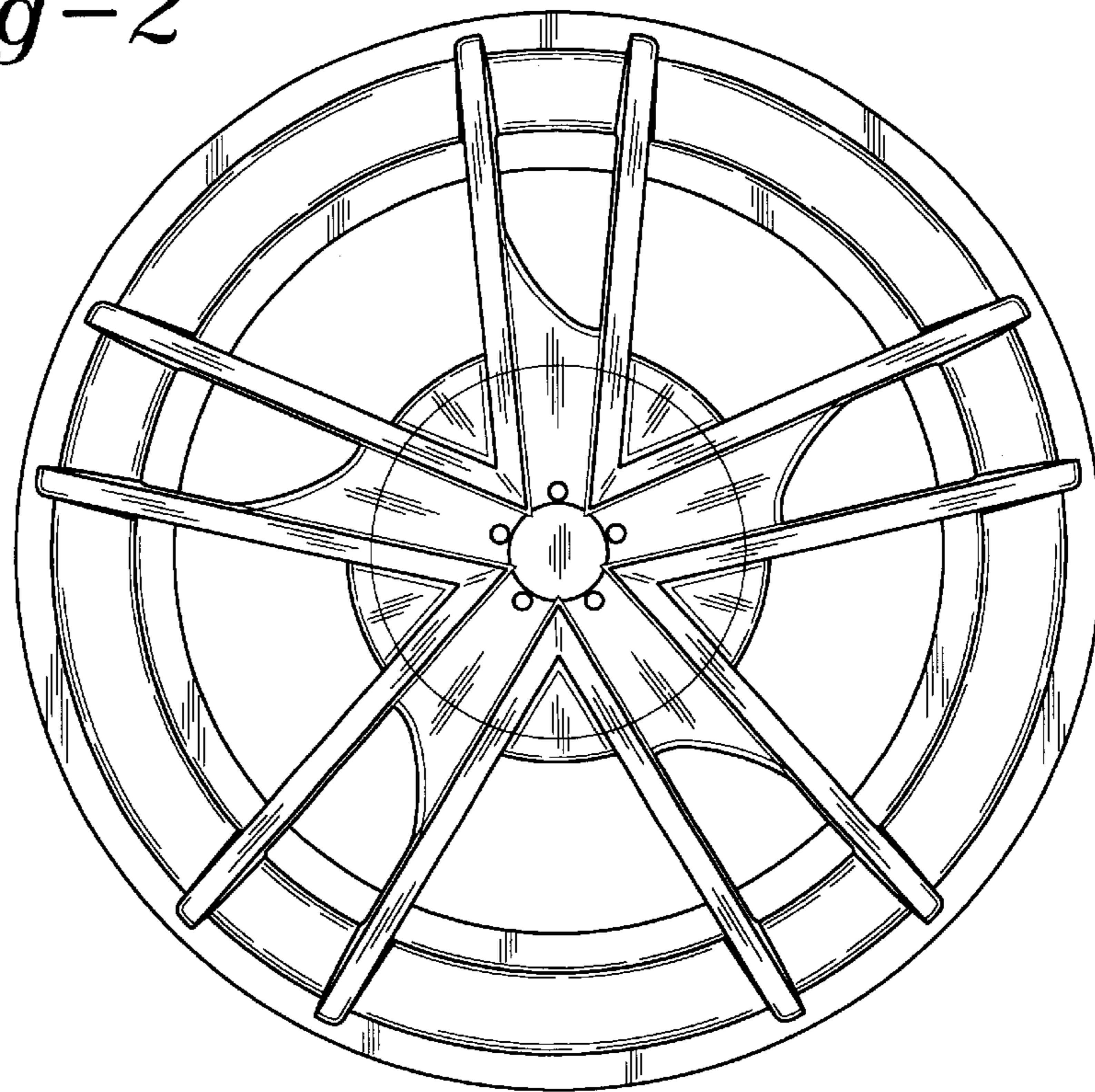


Fig-2



UNITED STATES PATENT AND TRADEMARK OFFICE
CERTIFICATE OF CORRECTION

PATENT NO. : Des 445,079 S
DATED : July 17, 2001
INVENTOR(S) : Seon Kyu Lee

Page 1 of 3

It is certified that error appears in the above-identified patent and that said Letters Patent is hereby corrected as shown below:

Title page,

Delete title page and substitute attached title page.

Drawings,

Substitute FIGS. 1 and FIGS. 2 with attached FIGS. 1 and FIGS. 2.

Signed and Sealed this

Thirtieth Day of July, 2002

Attest:

A handwritten signature in black ink, appearing to read "James E. Rogan", with a horizontal line drawn underneath it.

Attesting Officer

JAMES E. ROGAN
Director of the United States Patent and Trademark Office

(12) **United States Design Patent**
Lee

(10) Patent No.: **US D445,079 S**
 (45) Date of Patent: **** Jul. 17, 2001**

(54) **AUTOMOTIVE WHEEL**
 (75) Inventor: **Seon Kyu Lee, Fullerton, CA (US)**
 (73) Assignee: **Sancro International, Sante Fe Springs, CA (US)**
 (**) Term: **14 Years**

D. 431,517 * 10/2000 Donikoglu D12/209
 D. 431,807 * 10/2000 Fitzgerald D12/211
 D. 433,371 * 11/2000 Donikoglu D12/209
 D. 433,373 * 11/2000 Hussaini et al. D12/209
 D. 436,574 * 1/2001 Tunstill D12/211
 D. 438,158 * 2/2001 Fitzgerald D12/209
 D. 438,159 * 2/2001 Kaucher D12/209

(21) Appl. No.: **29/135,602**
 (22) Filed: **Jan. 16, 2001**
 (51) LOC (7) Cl. **12-16**
 (52) U.S. Cl. **D12/209**
 (58) Field of Search D12/204-211;
 301/37.1, 64.1, 65

* cited by examiner

Primary Examiner—Stacia Cadmus
 (74) *Attorney, Agent, or Firm*—G. Donald Weber, Jr.

(57) **CLAIM**

The ornamental design for an automotive wheel, as shown and described.

DESCRIPTION

FIG. 1 is an oblique view of the automotive wheel of the instant invention; and, FIG. 2 is a front view of the automotive wheel of the instant invention.

The broken line showing of environment is for illustrative purposes only and forms no part of the claimed design.

(56) **References Cited**

U.S. PATENT DOCUMENTS

D. 407,363 * 3/1999 Muzzarelli D12/209
 D. 408,345 * 4/1999 Cullen D12/209
 D. 411,501 * 6/1999 Cullen D12/209
 D. 416,532 * 11/1999 Cullen D12/209
 D. 416,846 * 11/1999 Melegari et al. D12/209
 D. 428,594 * 7/2000 Neeper D12/209

1 Claim, 1 Drawing Sheet

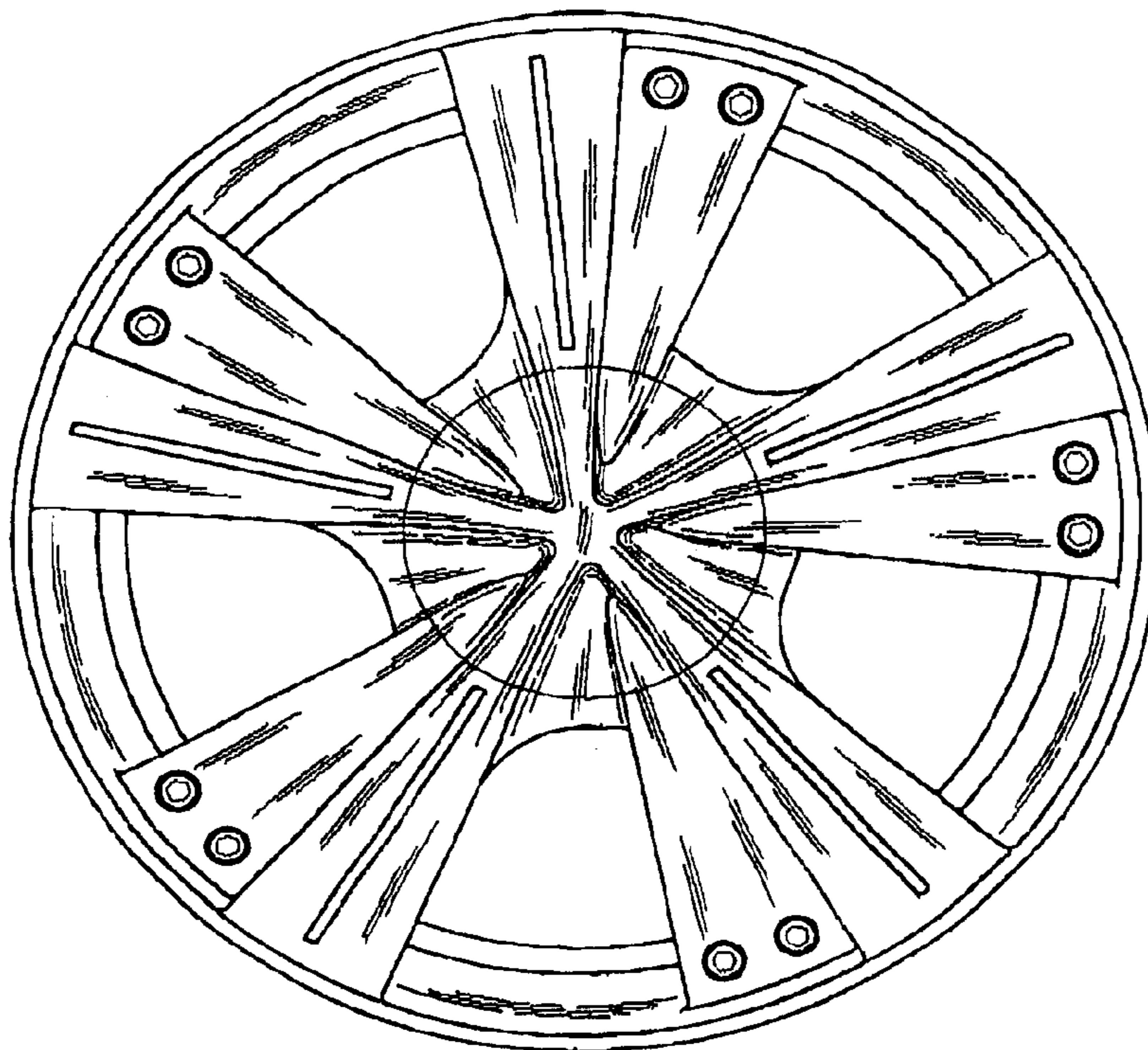


Fig-1

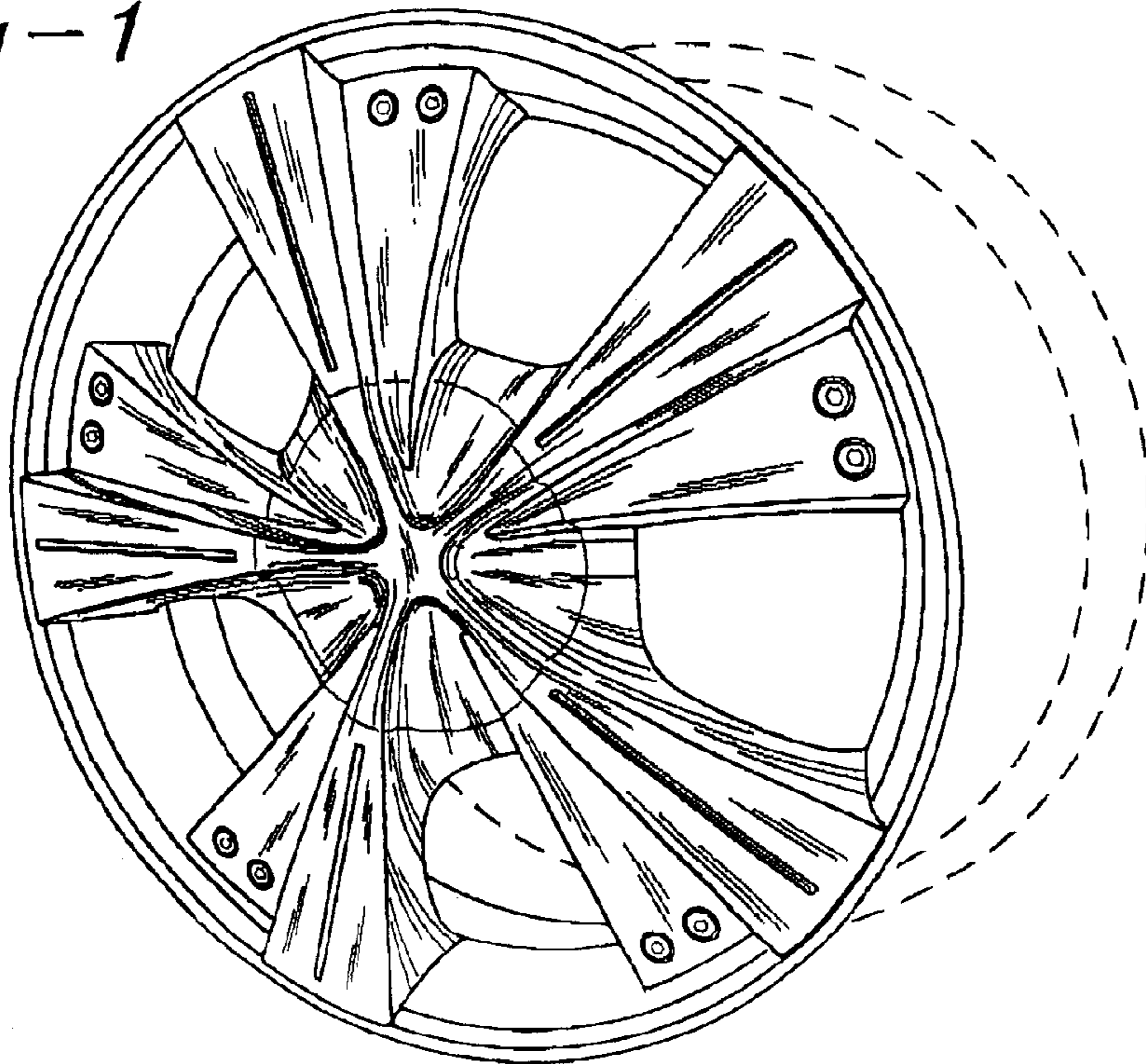


Fig-2

