



US00D445078S

(12) **United States Design Patent**
Chung

(10) **Patent No.:** **US D445,078 S**

(45) **Date of Patent:** **** Jul. 17, 2001**

(54) **AUTOMOTIVE WHEEL**

(75) **Inventor:** **Suny Chung**, Placentia, CA (US)

(73) **Assignee:** **Synergies America INC**, Farmington Hill, MI (US)

(**) **Term:** **14 Years**

(21) **Appl. No.:** **29/135,526**

(22) **Filed:** **Jan. 16, 2001**

(51) **LOC (7) Cl.** **12-16**

(52) **U.S. Cl.** **D12/209**

(58) **Field of Search** D12/204-211;
301/37.1, 64.1, 65

(56) **References Cited**

U.S. PATENT DOCUMENTS

- D. 411,501 * 6/1999 Cullen D12/209
- D. 418,797 * 1/2000 Chung D12/209

- D. 432,480 * 10/2000 Chung D12/209
- D. 433,658 * 11/2000 Donikoglu D12/209
- D. 434,712 * 12/2000 Chung D12/209

* cited by examiner

Primary Examiner—Stacia Cadmus

(74) *Attorney, Agent, or Firm*—G. Donald Weber, Jr.

(57) **CLAIM**

The ornamental design for an automotive wheel, as shown and described.

DESCRIPTION

FIG. 1 is an oblique view of the automotive wheel of the instant invention; and,

FIG. 2 is a front view of the automotive wheel of the instant invention.

The broken line showing of environment is for illustrative purposes only and forms no part of the claimed design.

1 Claim, 1 Drawing Sheet

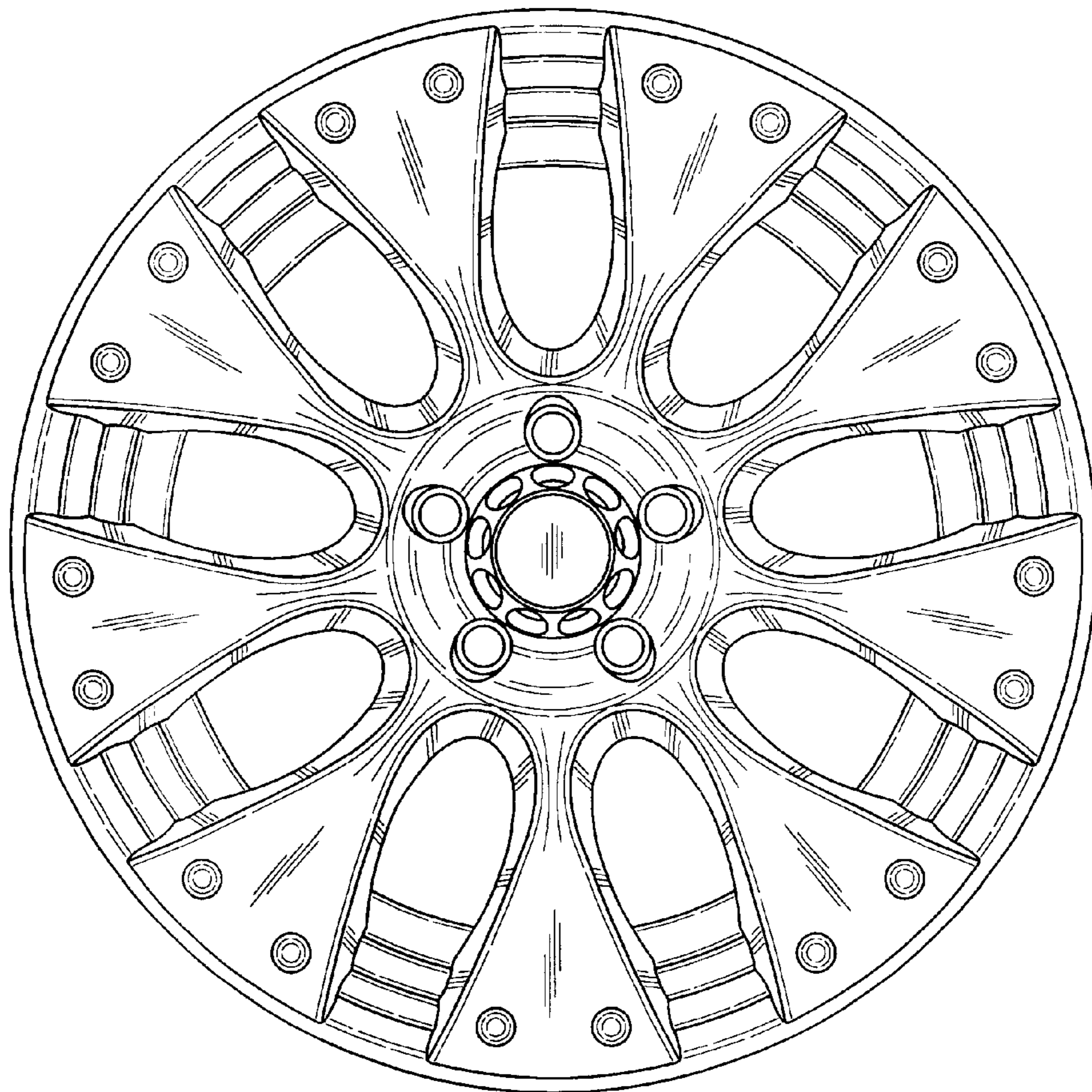


Fig-1

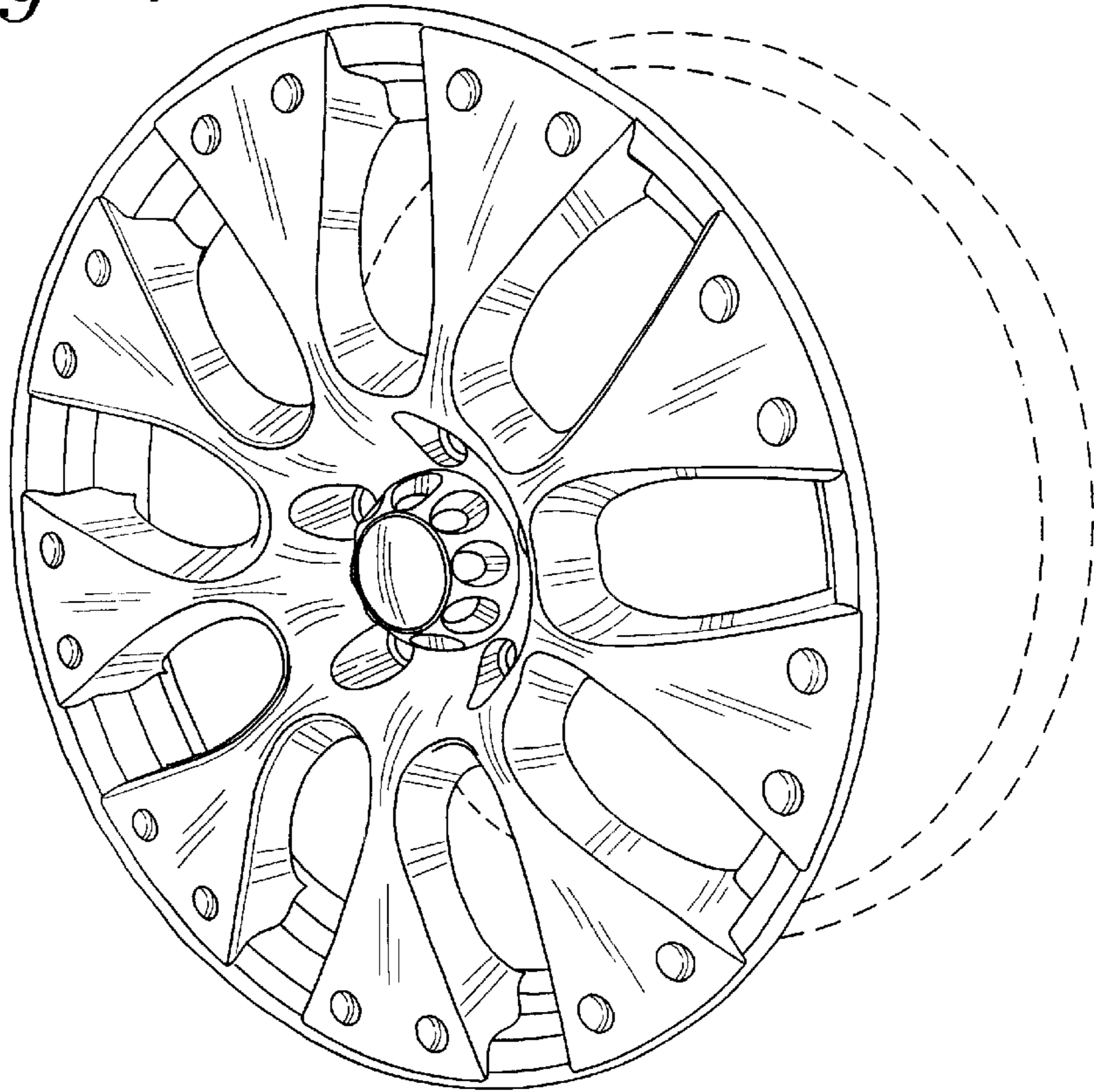


Fig-2

