



US00D445069S

(12) **United States Design Patent**  
**Guspodin et al.**

(10) **Patent No.:** **US D445,069 S**

(45) **Date of Patent:** **\*\* Jul. 17, 2001**

(54) **TIRE TREAD**

D. 410,600 6/1999 Matsuda ..... D12/146

(75) Inventors: **James G. Guspodin; Andrea Fantanzo**, both of Akron, OH (US)

\* cited by examiner

(73) Assignee: **Bridgestone/Firestone Research, Inc.**, Akron, OH (US)

*Primary Examiner*—Robert M. Spear  
(74) *Attorney, Agent, or Firm*—Thomas R. Kingsbury; Michael Sand

(\*\*) Term: **14 Years**

(57) **CLAIM**

(21) Appl. No.: **29/118,577**

The ornamental design for a tire tread, as shown and described.

(22) Filed: **Feb. 11, 2000**

**DESCRIPTION**

(51) **LOC (7) Cl.** ..... **12-15**

(52) **U.S. Cl.** ..... **D12/147**

(58) **Field of Search** ..... D12/134–152;  
152/209.1, 209.3, 209.9, 209.13, 209.16,  
209.28

FIG. 1 is a side perspective view of a tire tread showing our new design, it being understood that the tread pattern is repeated throughout the circumference of the tire tread, the opposite side being the same as that shown;

FIG. 2 is a front elevational view thereof;

FIG. 3 is a side elevational view of the right side thereof, the opposite side being identical thereto; and,

FIG. 4 is an enlarged fragmentary front elevational view thereof.

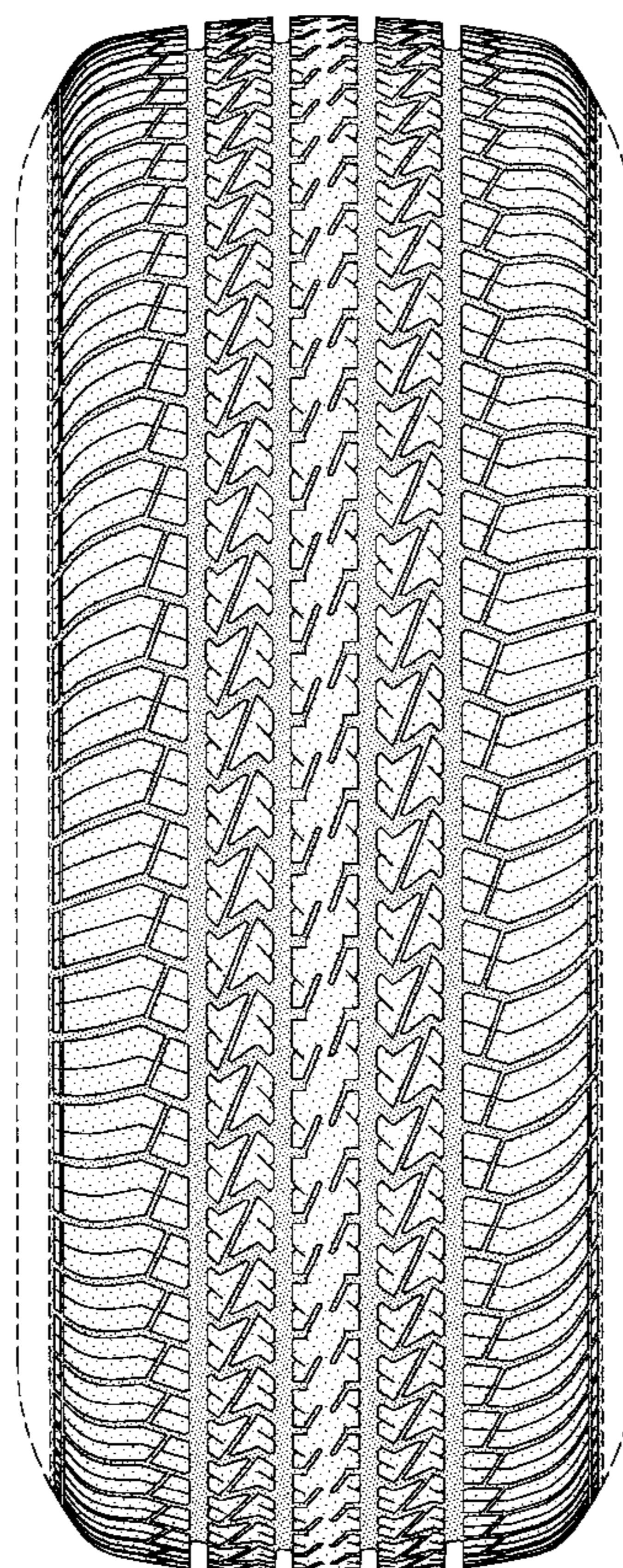
(56) **References Cited**

**U.S. PATENT DOCUMENTS**

D. 294,688	3/1988	Suzuki	.....	D12/147
D. 324,011	2/1992	Messer	.....	D12/147
D. 339,559	9/1993	Guspodin et al.	.....	D12/147
D. 370,445	6/1996	Wakamatsu et al.	.....	D12/147
D. 379,166	5/1997	Aikawa et al.	.....	D12/147
D. 379,954	6/1997	Matsuda et al.	.....	D12/147
D. 387,709	12/1997	Lo	.....	D12/147
D. 390,559 *	2/1998	Guspodin et al.	.....	D12/147
D. 397,654	9/1998	Heinen	.....	D12/147

The dark stippled surface shading represents the recessed portion of the tread grooves, having a depth as best shown in FIG. 2; the broken lines defining the tire sidewall and inner bead and the peripheral boundary between the tire tread and sidewall are for illustrative purposes only and form no part of the claimed design.

**1 Claim, 4 Drawing Sheets**



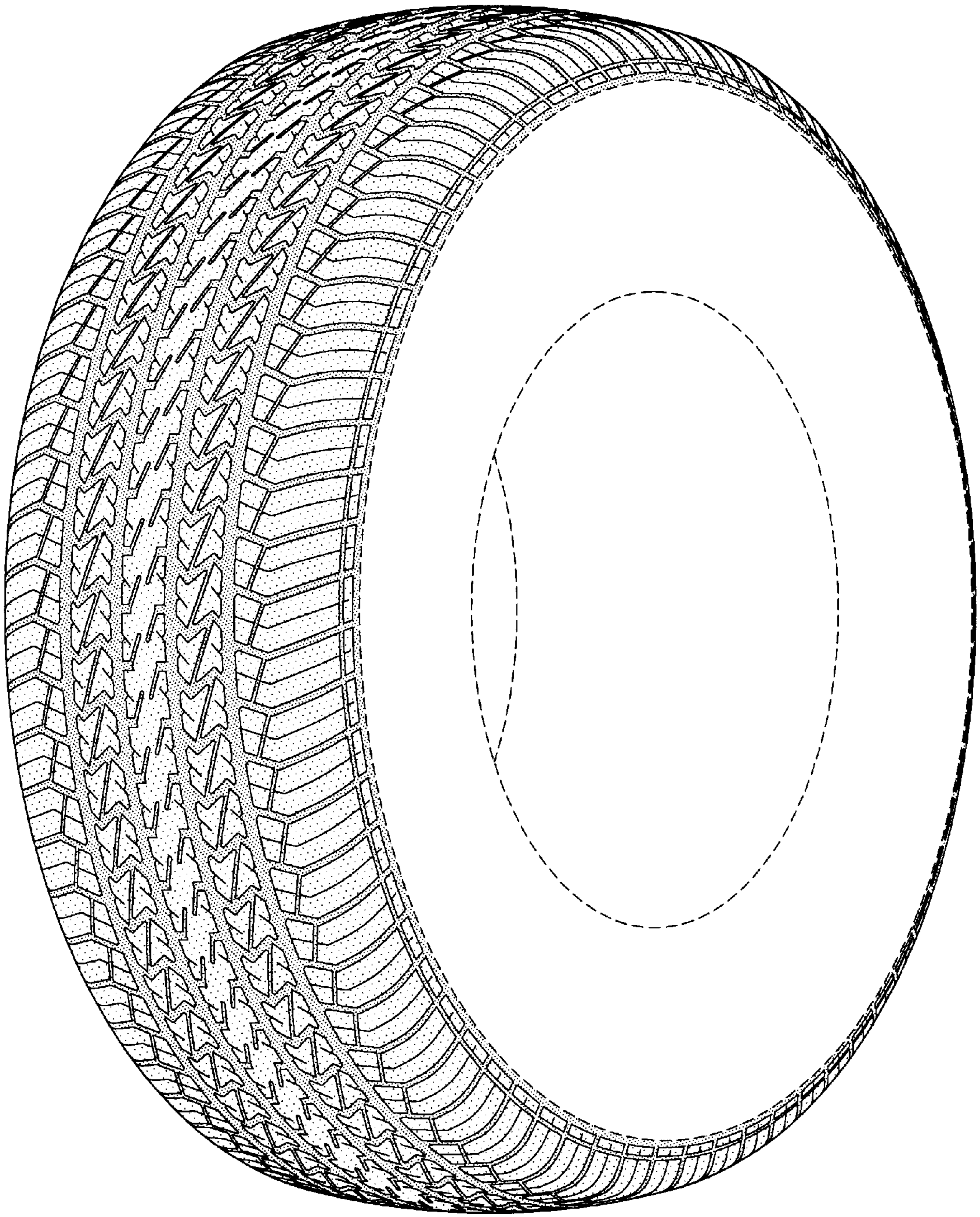


FIG-1

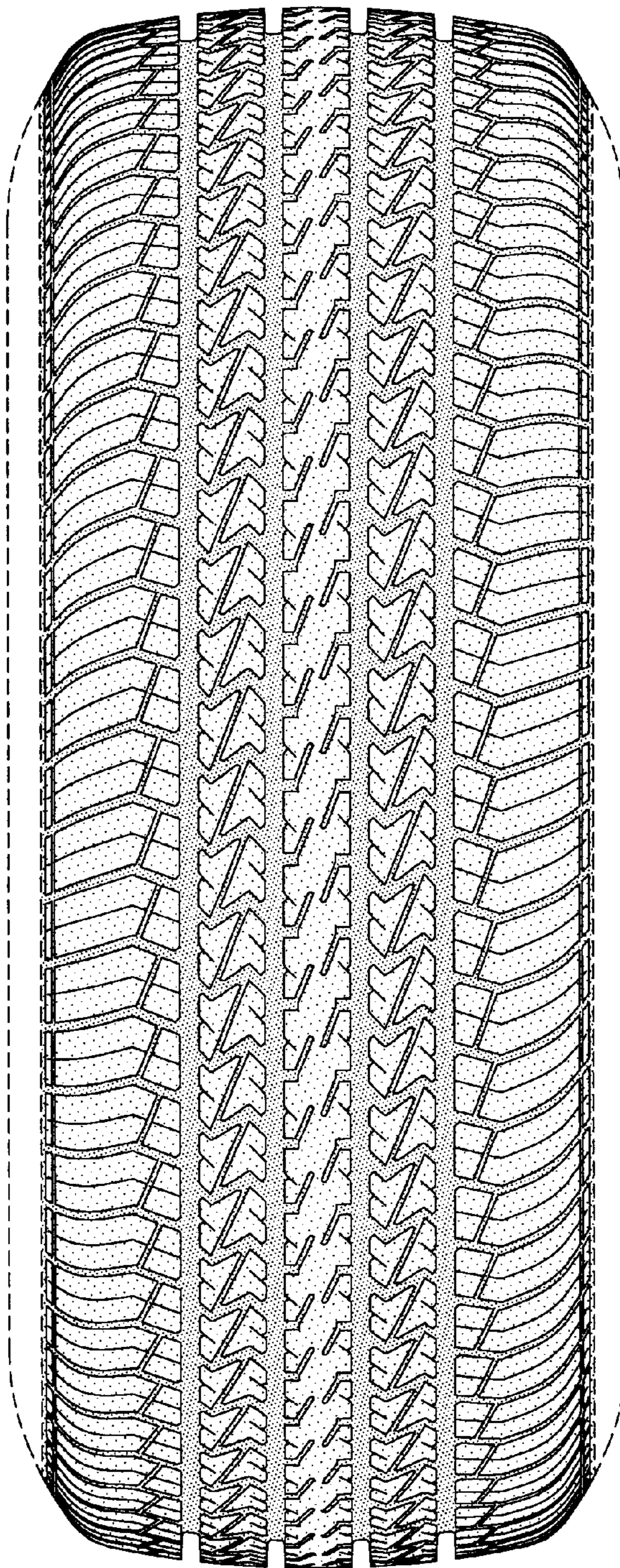


FIG-2

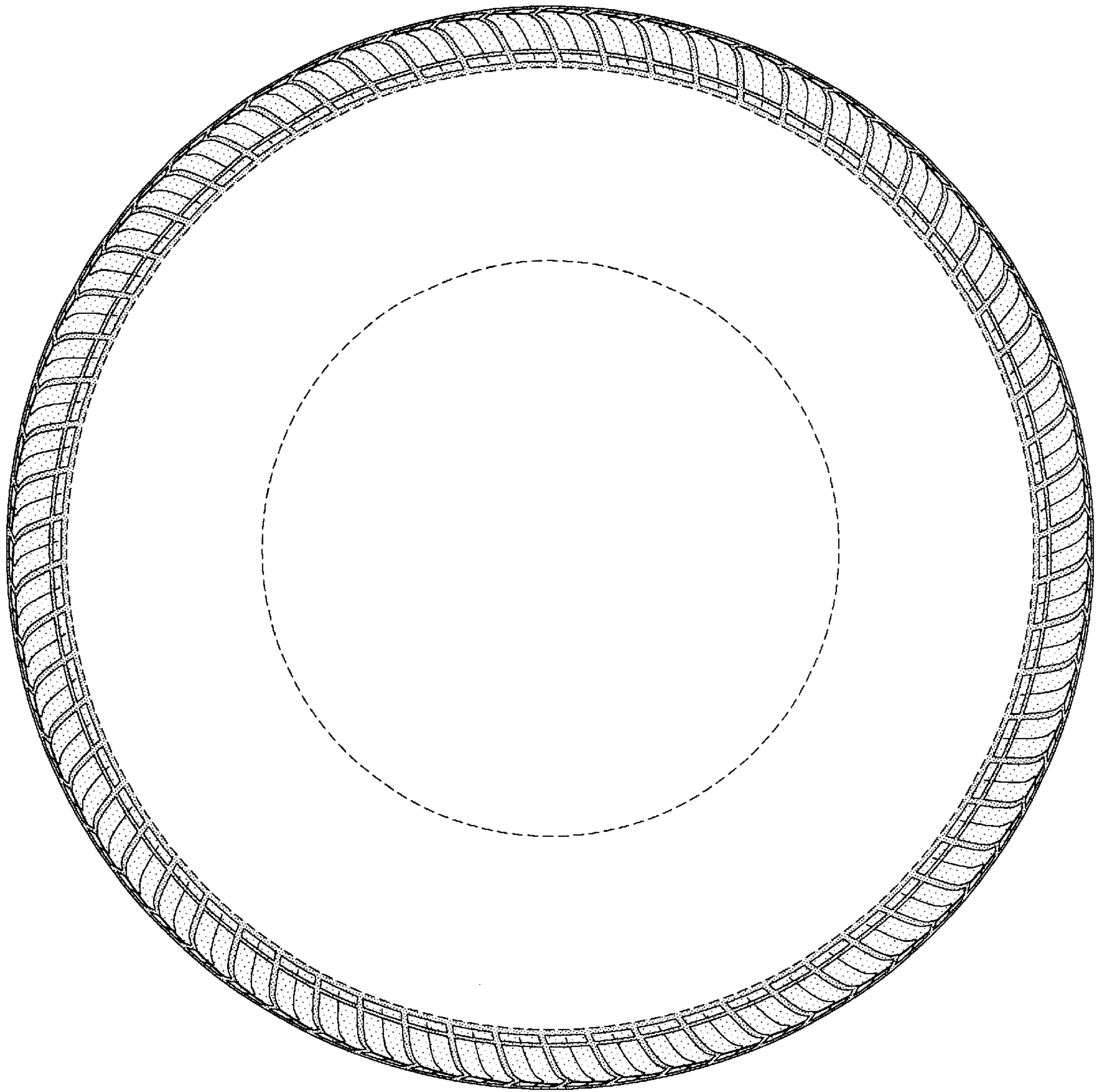


FIG-3

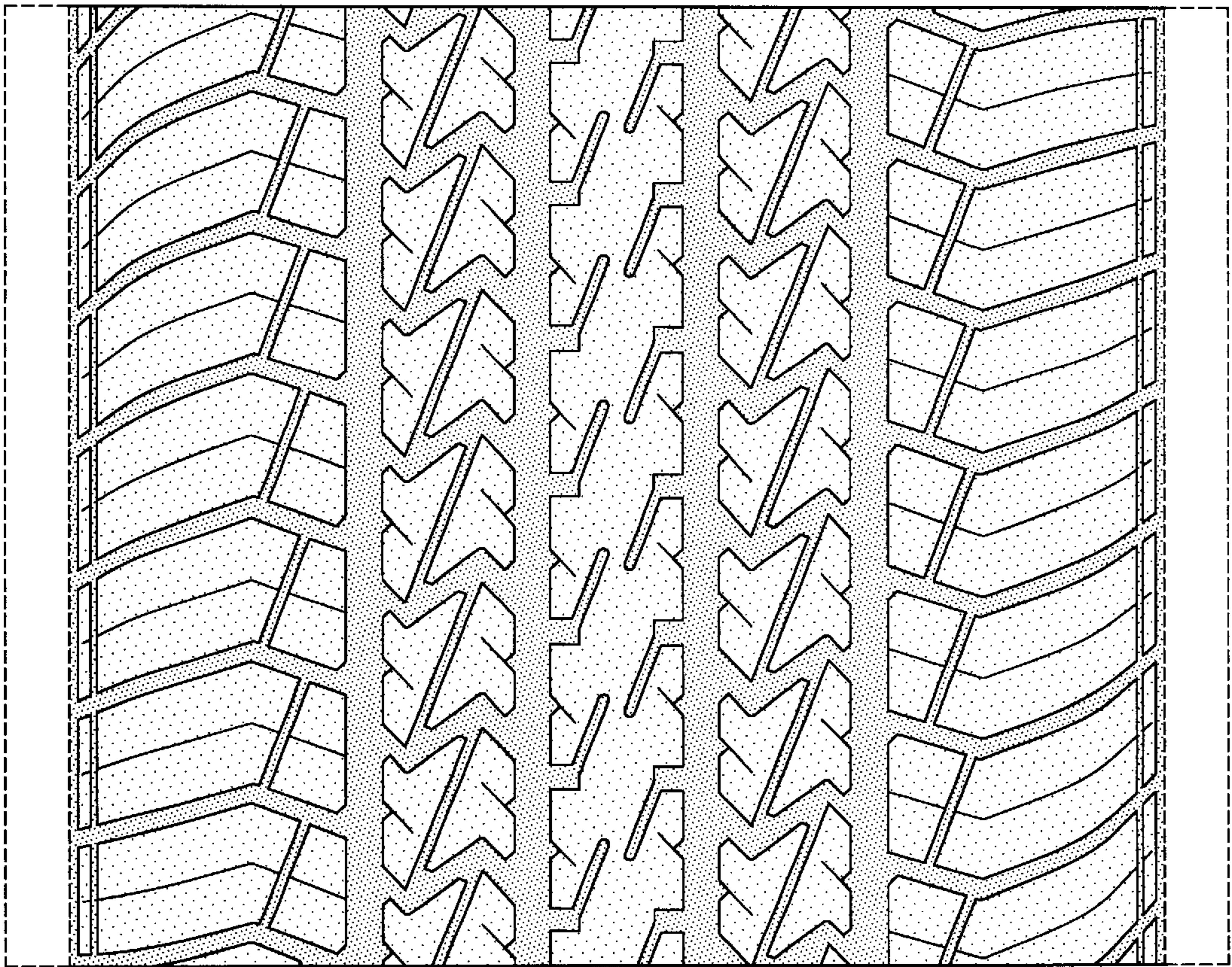


FIG-4