



US00D445066S

(12) **United States Design Patent** (10) **Patent No.:** **US D445,066 S**
Hinklin et al. (45) **Date of Patent:** **** Jul. 17, 2001**

(54) **VEHICLE**

(75) Inventors: **Darrell W. Hinklin**, Excelsior, MN (US); **Bart T. Ellson**, Chanhassen; **Kip S. Vangsgard**, White Bear Lake, both of MN (US); **Richard T. Cairns**, Wayzata, MN (US); **Jonathan P. Van Dore**, Minneapolis, MN (US); **Kenneth R. Parker**, Atlanta, GA (US)

(73) Assignee: **The Toro Company**, Bloomington, MN (US)

(**) Term: **14 Years**

(21) Appl. No.: **29/126,695**

(22) Filed: **Jul. 21, 2000**

(51) **LOC (7) Cl.** **12-14**

(52) **U.S. Cl.** **D12/1**

(58) **Field of Search** D12/1, 15-16, D12/14, 85-86, 87, 82, 107; 280/DIG. 5; 296/183-186; 180/908, 233; D34/34

(56) **References Cited**

U.S. PATENT DOCUMENTS

- D. 227,244 * 6/1973 Keene D12/1
- D. 245,242 * 8/1977 Stolley D12/16
- D. 292,899 * 11/1987 Samuelson et al. D12/16
- D. 312,227 * 11/1990 Miyamoto et al. D12/14
- D. 320,580 * 10/1991 Kim D12/16
- D. 332,239 * 1/1993 Hirata et al. D12/1
- D. 342,701 * 12/1993 Murata et al. D12/107
- D. 364,590 * 11/1995 Yamashita D12/15
- D. 395,023 * 6/1998 Hikida D12/16
- D. 421,411 * 3/2000 Molzon et al. D12/82
- D. 422,938 * 4/2000 Molzon et al. D12/1
- D. 427,109 * 6/2000 Molzon et al. D12/1
- D. 433,651 * 11/2000 Matsumura et al. D12/1

OTHER PUBLICATIONS

Club Car Utility Vehicles Brochure by Club Car, Inc. (no date).
Imagine the Possibilities Brochure by Club Car, Inc. (no date).

E-Z-GO WorkHorse™ 1000E/1200G Brochure by E-Z-GO Division of Textron Inc., 1998.

E-Z-GO WorkHorse™ LX Brochure by E-Z-GO Division of Textron Inc., 1999.

Innovation by Design Brochure by The CheTech Company. Jan. 1996.

Cushman® Turf Care Brochure by Textron Turf Care and Specialty Products, 1998.

4-Wheeled & 3-Wheeled Hauler Off-Road Utility Vehicles by Kimball Products Inc. (no date).

Lighten Your Workload. Take It By Force. Brochure by The CheTech Company, 1995.

Cushman® Hawk™ Brochure by Ransomes America Corporation, 1995.

Mountain Lion 6X6 Brochure by Mountain Lion Products, L.L.C. (no date).

Mule™ 1000 Brochure by Kawasaki Motors Corp., 1988.

John Deere Gator Utility Vehicles Brochure by John Deere, 1998.

Workman® 3000 & 4000 Brochure by The Toro Company, 2000.

* cited by examiner

Primary Examiner—Stacia Cadmus

(74) *Attorney, Agent, or Firm*—Mau & Krull, P.A.

(57) **CLAIM**

The ornamental design for a vehicle, as shown and described.

DESCRIPTION

FIG. 1 is a perspective view of a vehicle showing our new design;

FIG. 2 is an enlarged front elevational view thereof;

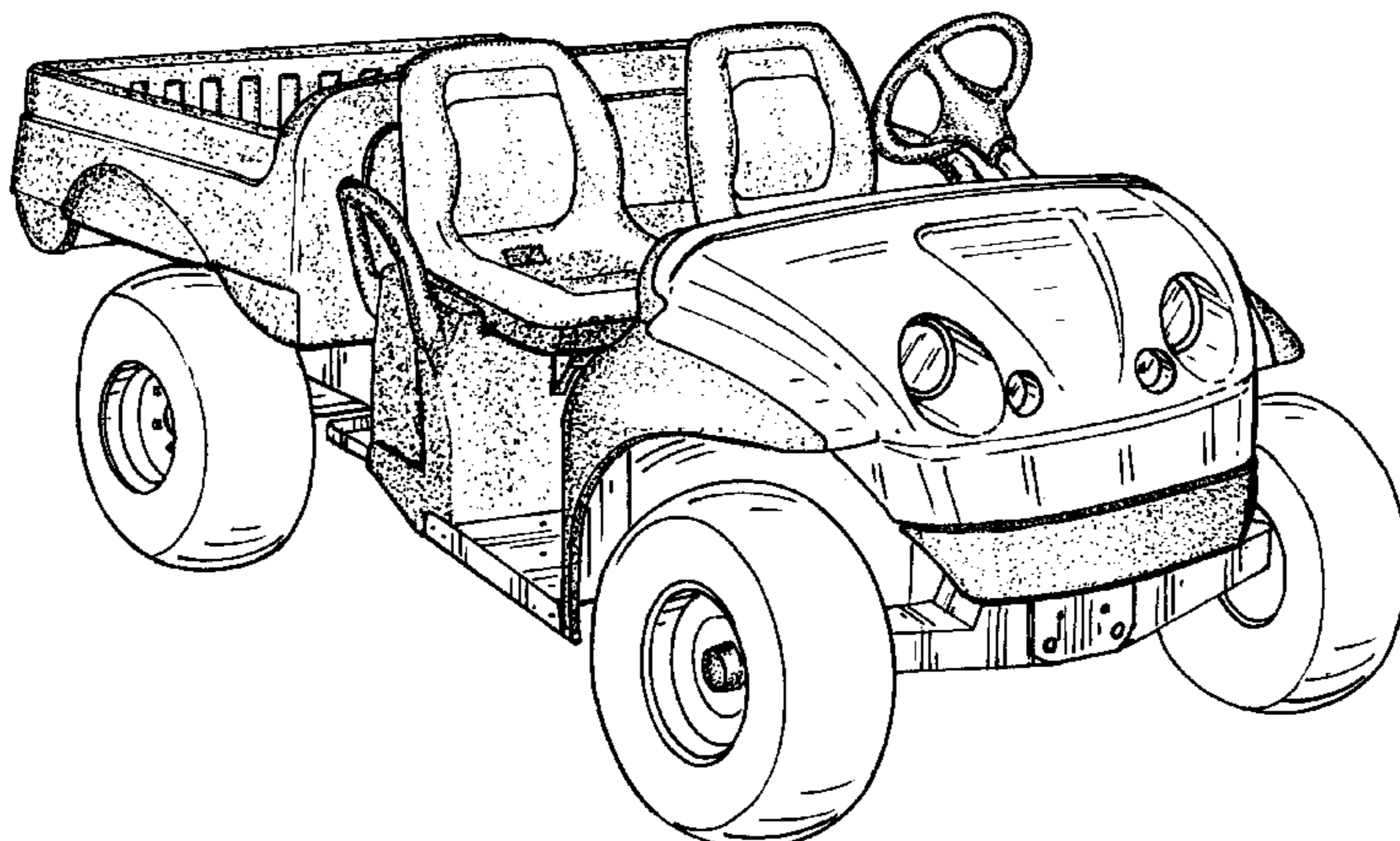
FIG. 3 is an enlarged left side elevational view thereof;

FIG. 4 is an enlarged right side elevational view thereof;

FIG. 5 is an enlarged rear elevational view thereof; and,

FIG. 6 is an enlarged top plan view thereof.

1 Claim, 6 Drawing Sheets



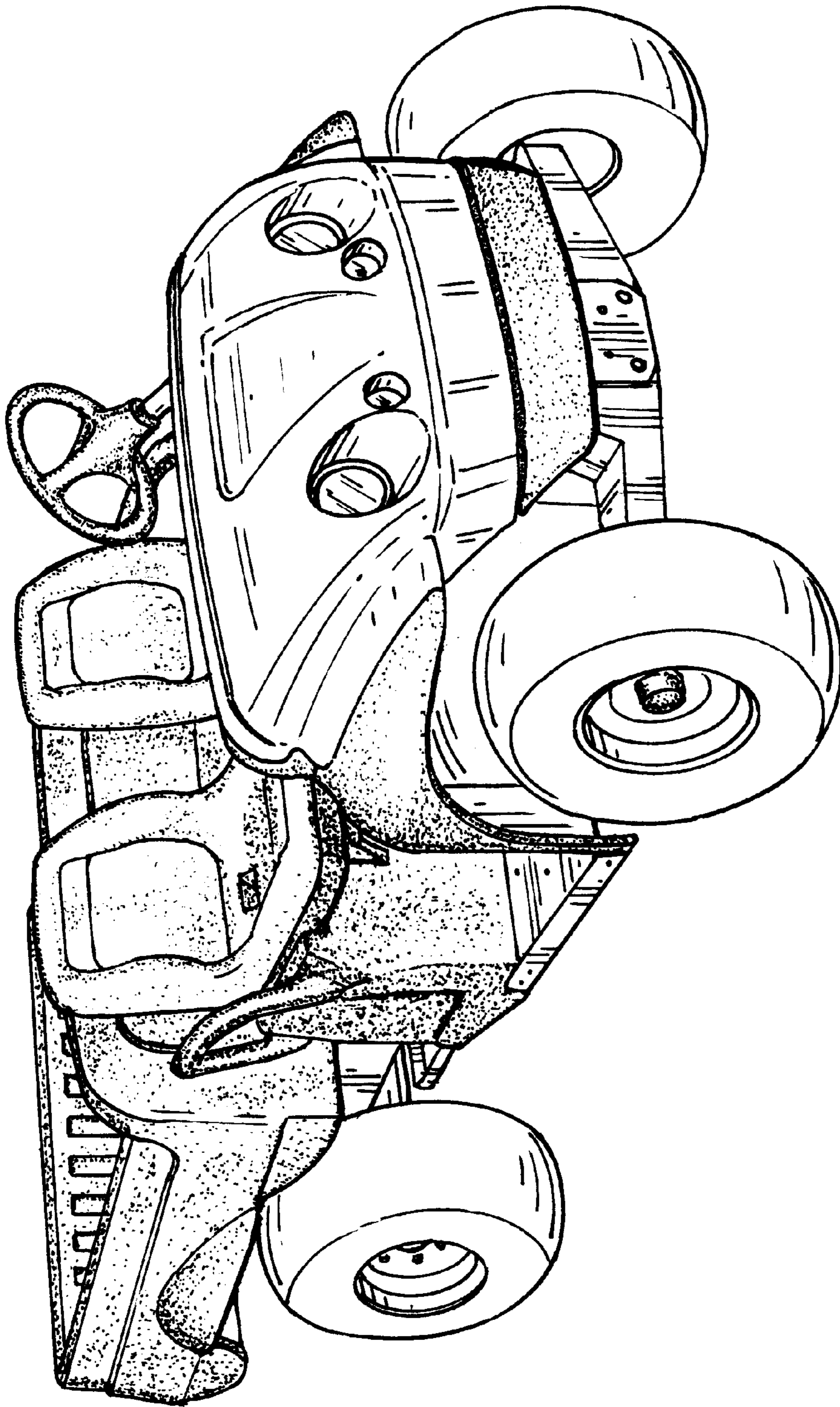


FIG. 1

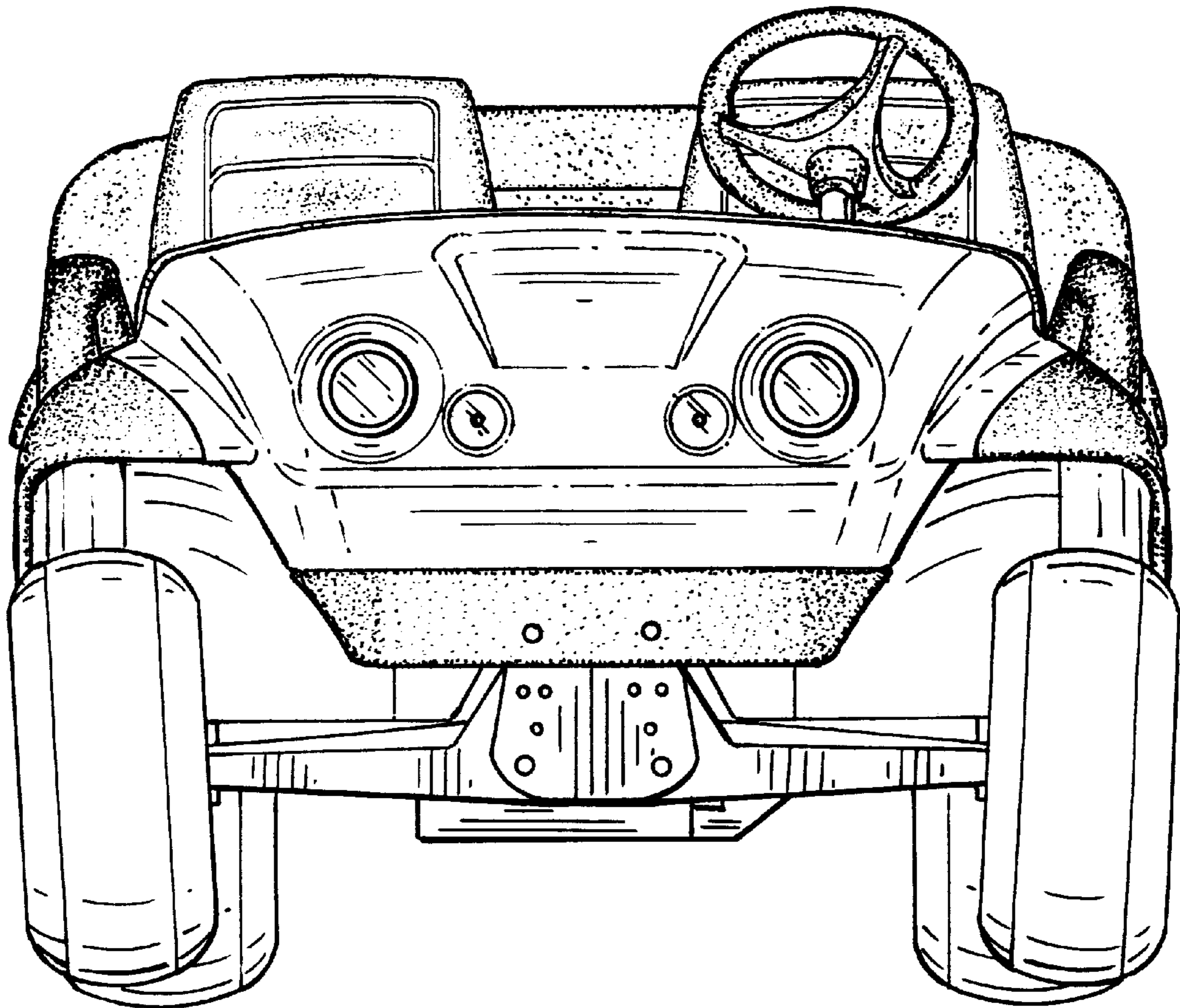


FIG. 2

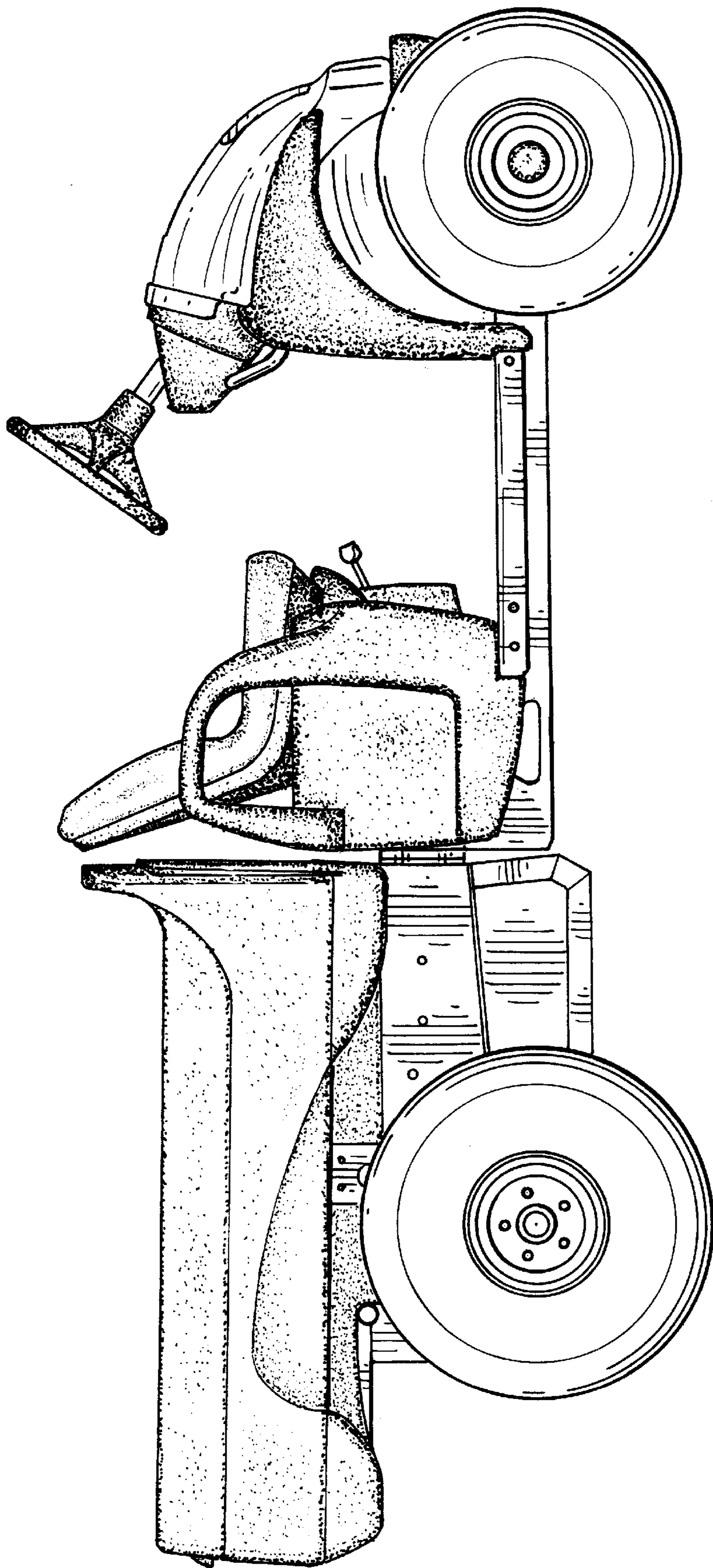


FIG. 3

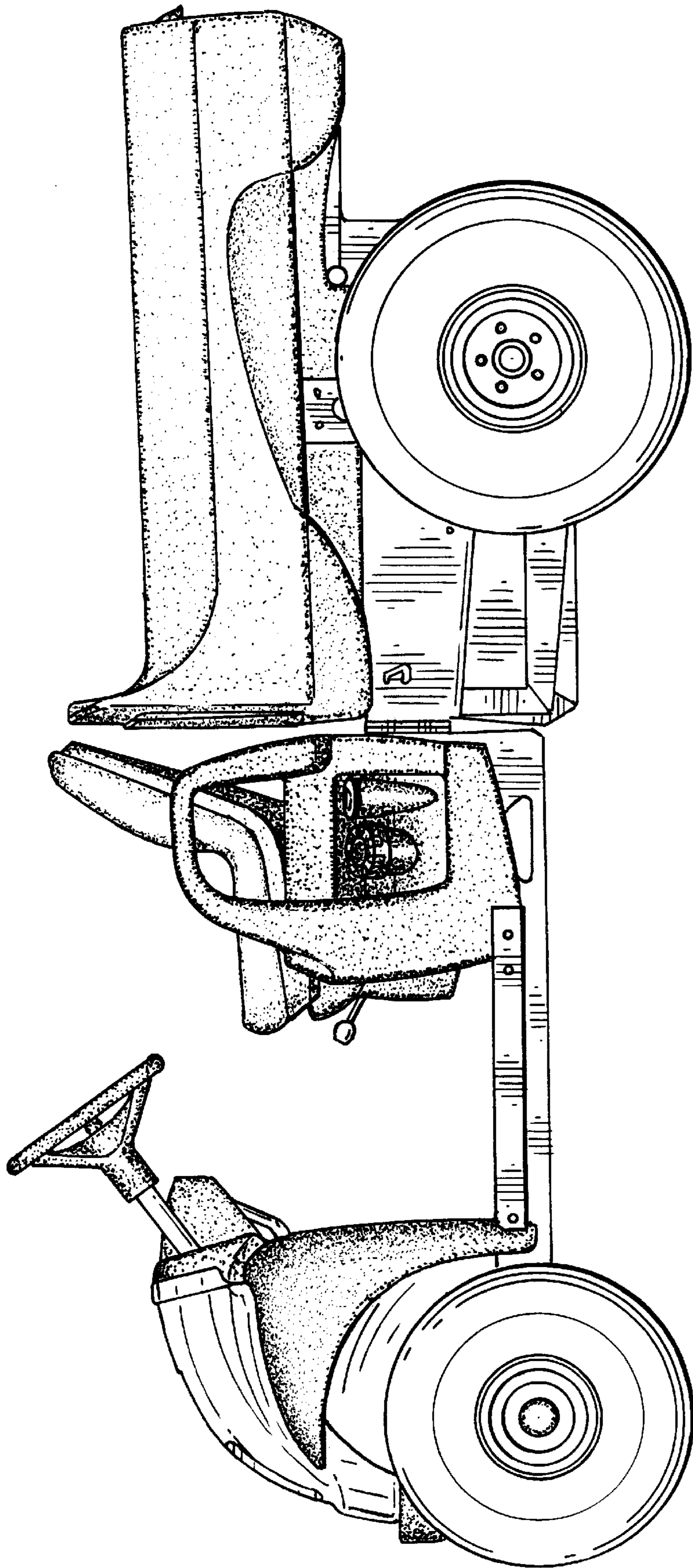


FIG. 4

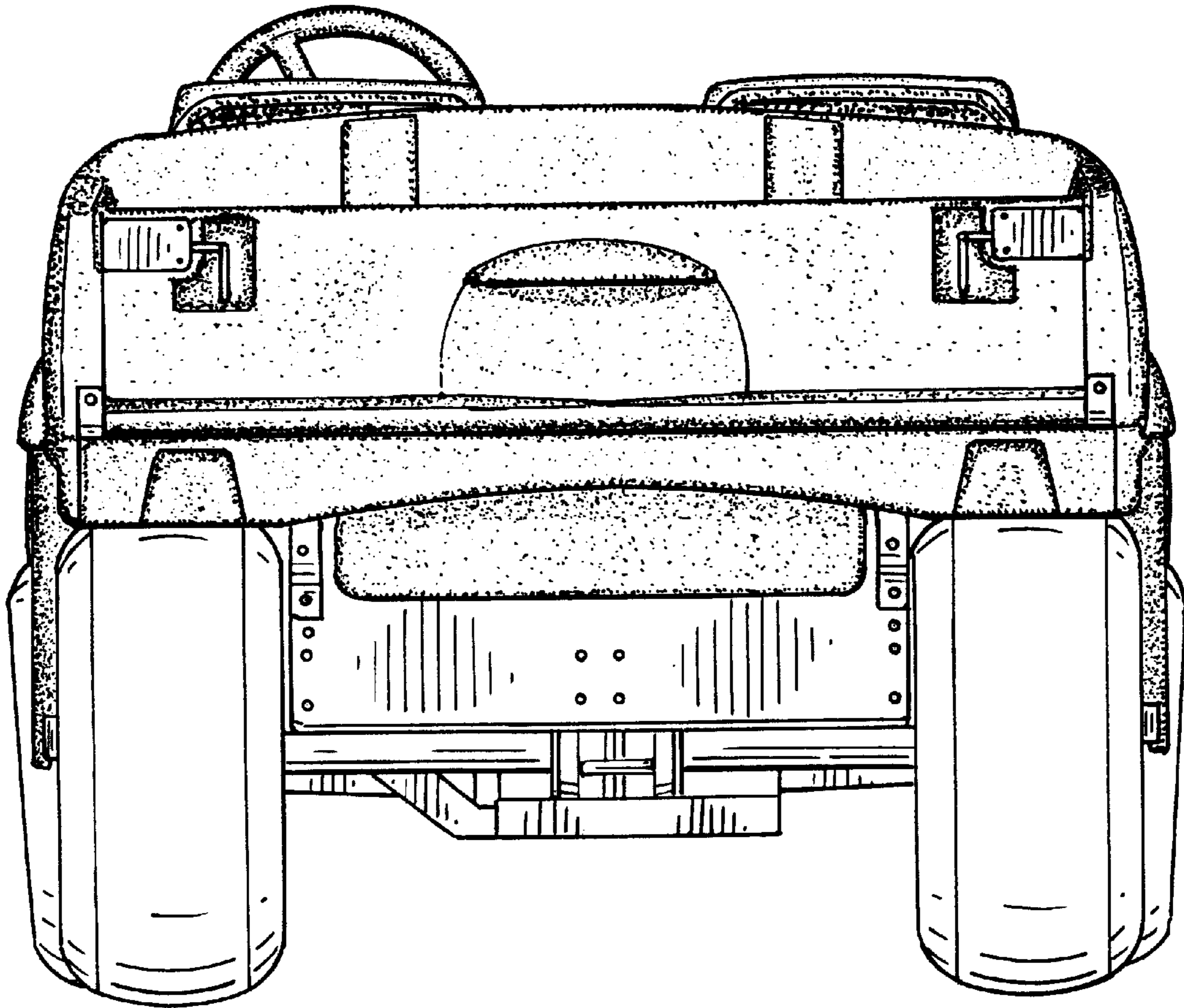


FIG. 5

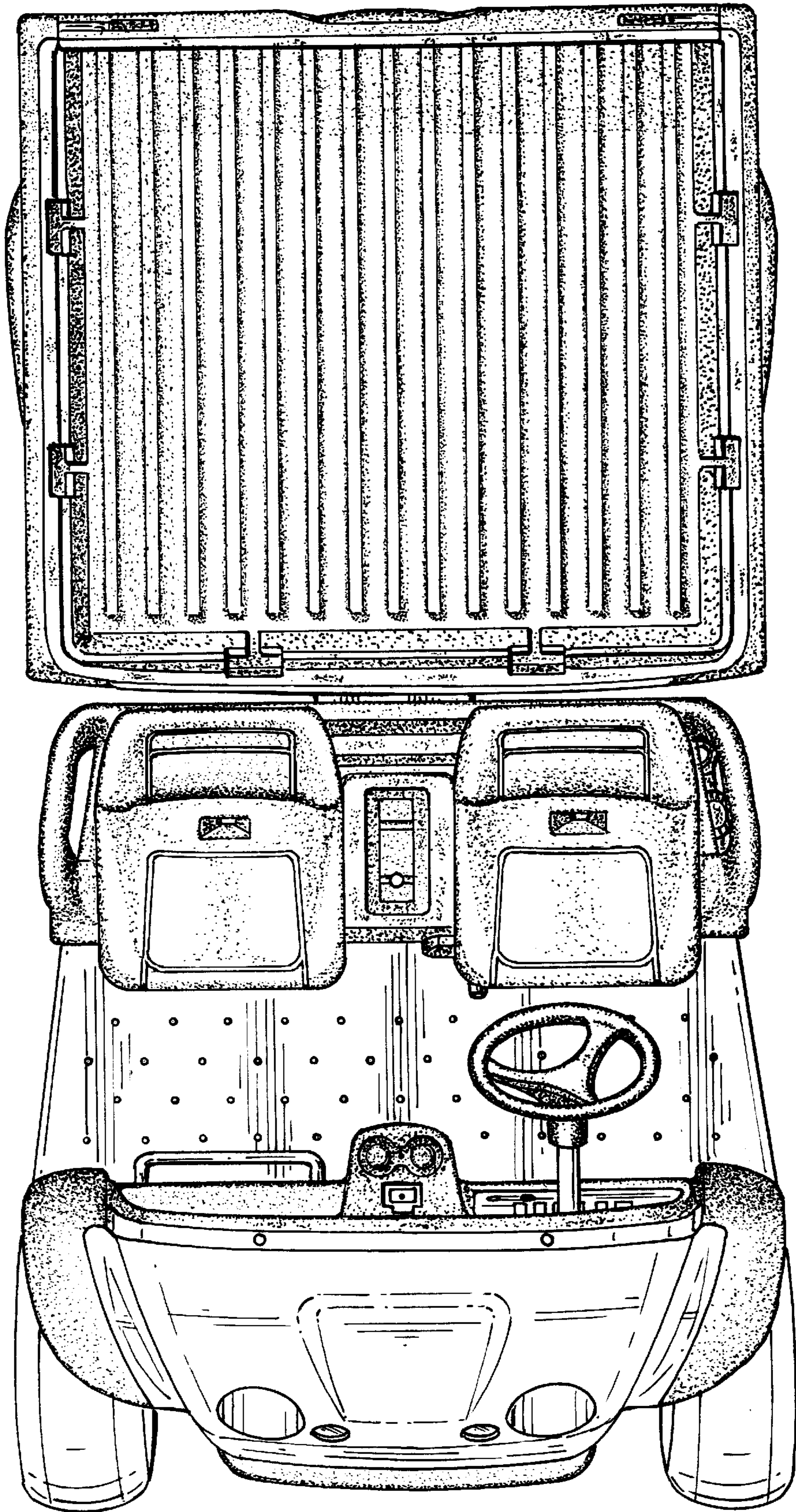


FIG. 6