



US00D445062S

(12) **United States Design Patent**  
**Wong**

(10) **Patent No.:** **US D445,062 S**

(45) **Date of Patent:** **\*\* Jul. 17, 2001**

(54) **VASE**

(76) **Inventor:** **Yan Kwong Wong**, Flat 17, 10th Floor,  
Metro Centre II, 21 Lam Hing Street,  
Kowloon Bay, Kowloon (HK)

(\*\*) **Term:** **14 Years**

(21) **Appl. No.:** **29/121,212**

(22) **Filed:** **Apr. 3, 2000**

(30) **Foreign Application Priority Data**

Oct. 7, 1999 (HK) ..... 9911325

(51) **LOC (7) Cl.** ..... **11-02**

(52) **U.S. Cl.** ..... **D11/147**

(58) **Field of Search** ..... D11/143, 144,  
D11/146, 147, 148, 149, 151, 152; D6/403,  
404; 47/65.5, 66.6, 67, 85, 86, 82, 83, 39,  
41.01, 41.12, 41.13; 206/423; 248/27.8

(56) **References Cited**

**U.S. PATENT DOCUMENTS**

D. 245,368 \* 8/1977 Mueller ..... D11/147

D. 306,985 \* 4/1990 Mason, Jr. .... D11/143

D. 400,822 \* 11/1998 Therrian ..... D11/143

4,389,813 \* 6/1983 Jaques et al. .... 47/67

\* cited by examiner

*Primary Examiner*—Doris V. Coles

*Assistant Examiner*—Mimosa De

(74) *Attorney, Agent, or Firm*—Salter & Michaelson

(57) **CLAIM**

The ornamental design for a vase, as shown and described.

**DESCRIPTION**

FIG. 1 is a perspective view of a vase showing my new design;

FIG. 2 is a top plan view thereof;

FIG. 3 is a bottom plan view thereof;

FIG. 4 is a rear elevational view thereof;

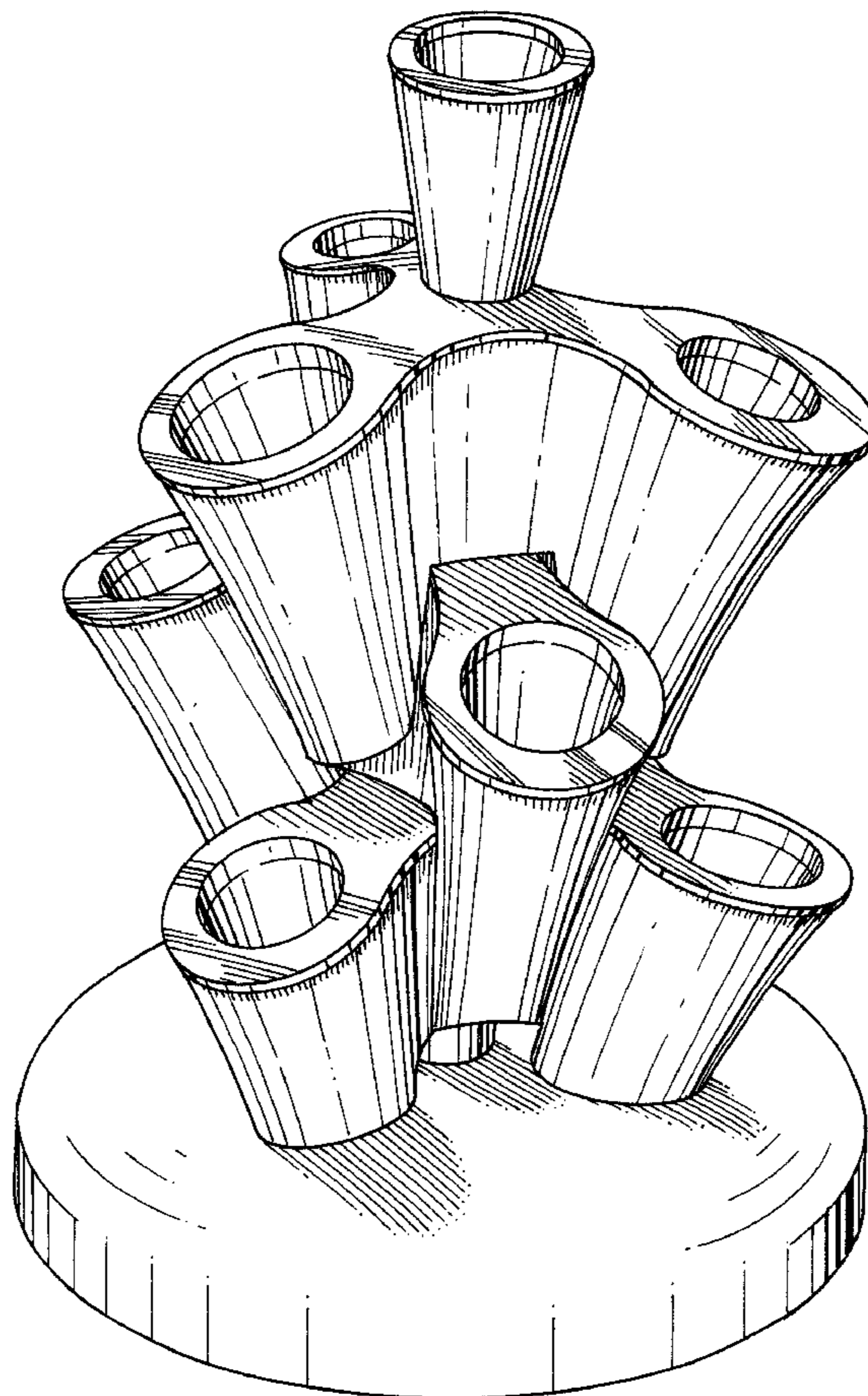
FIG. 5 is a front elevational view thereof;

FIG. 6 is a left side elevational view thereof;

FIG. 7 is a right side elevational view thereof; and,

FIG. 8 is an exploded view thereof.

**1 Claim, 5 Drawing Sheets**



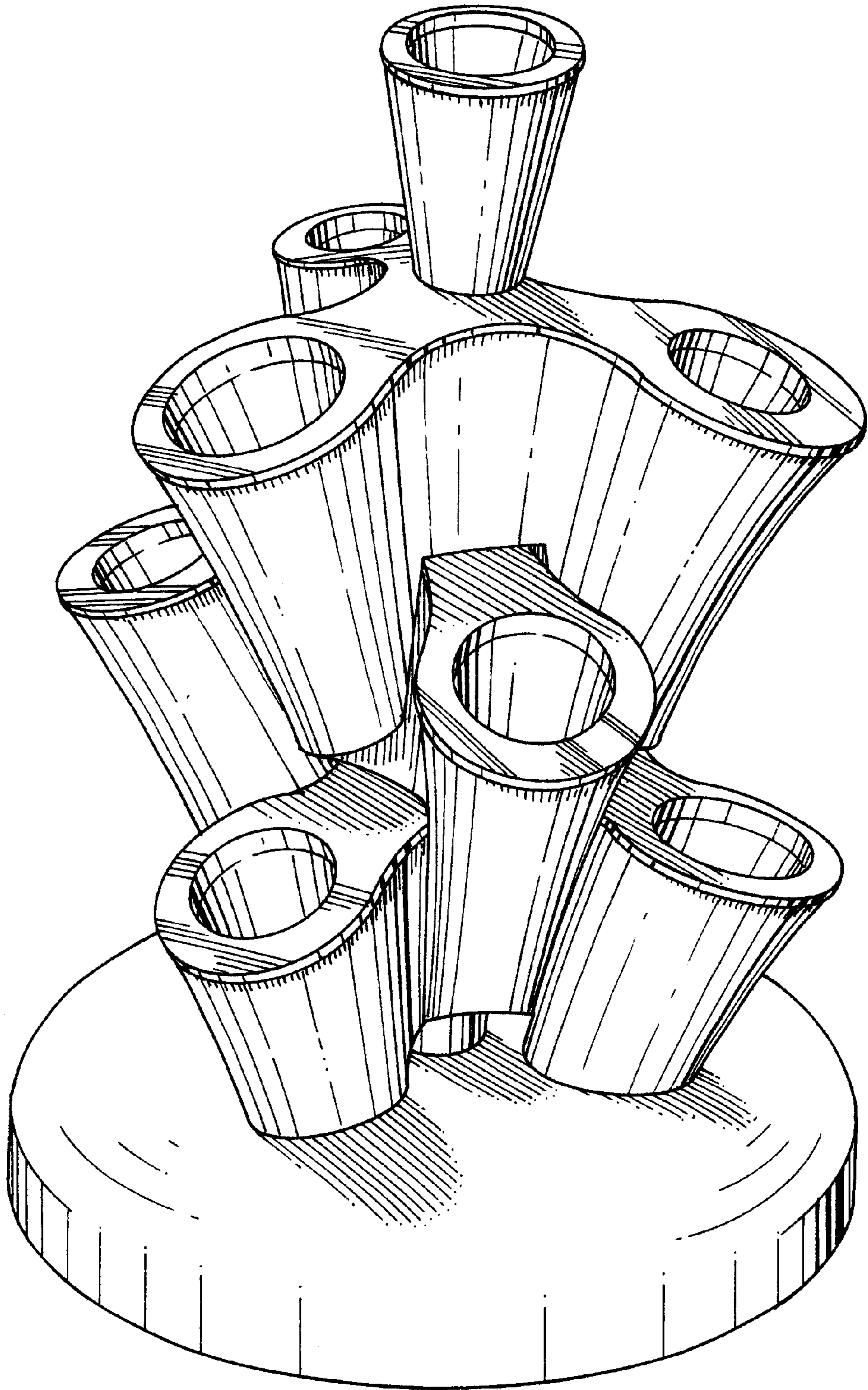


FIG. 1

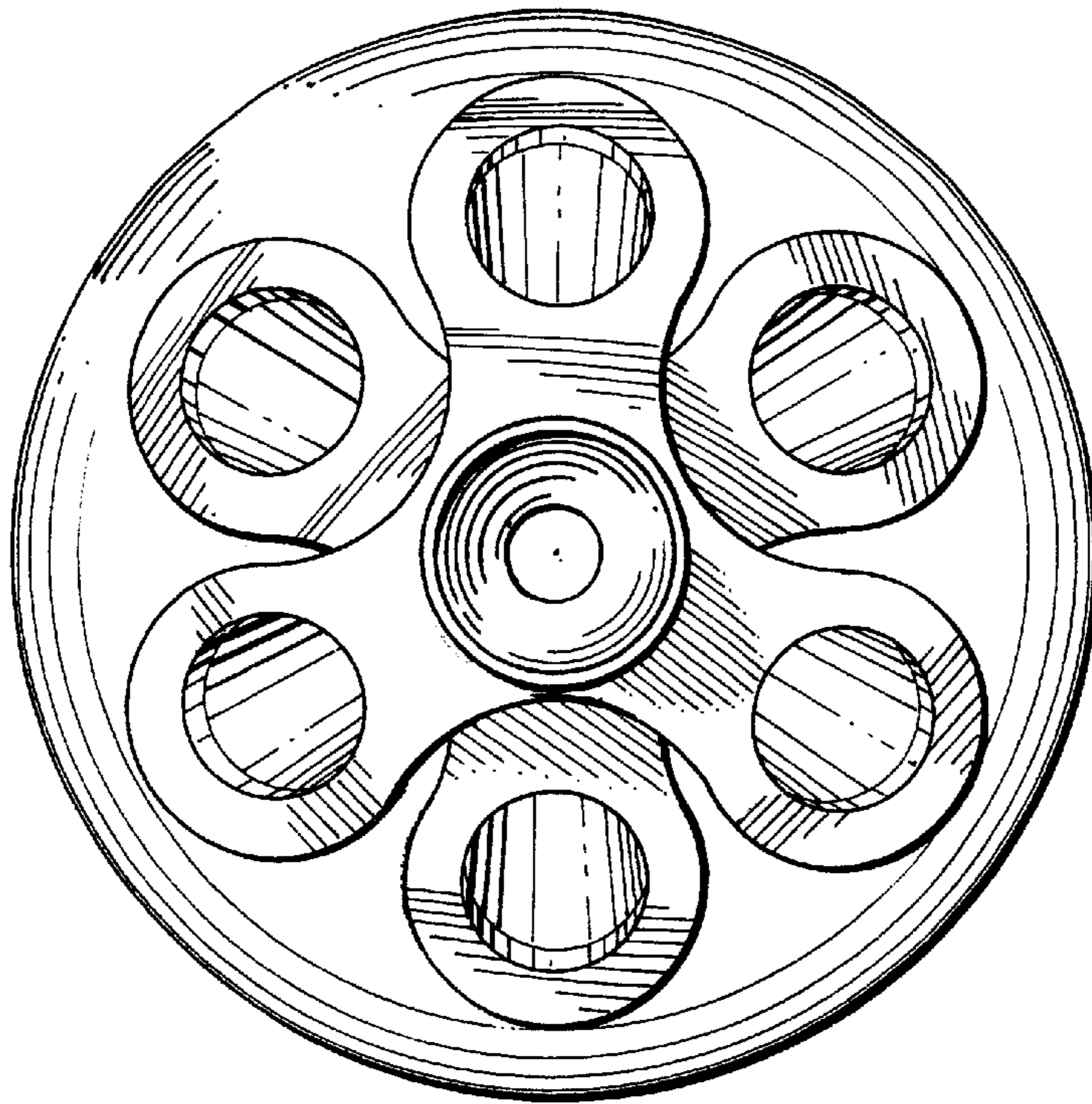
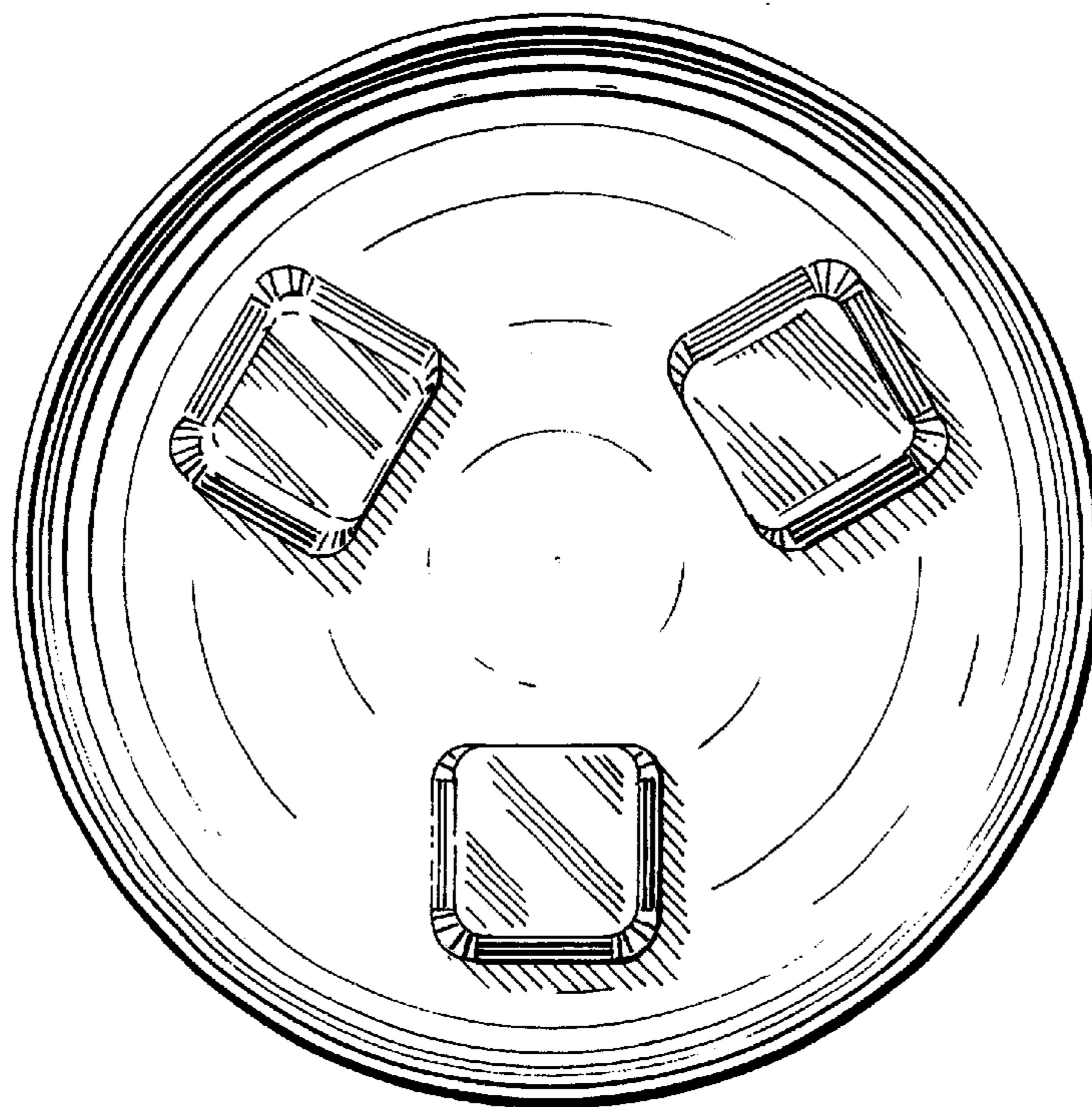


FIG. 2

FIG. 3



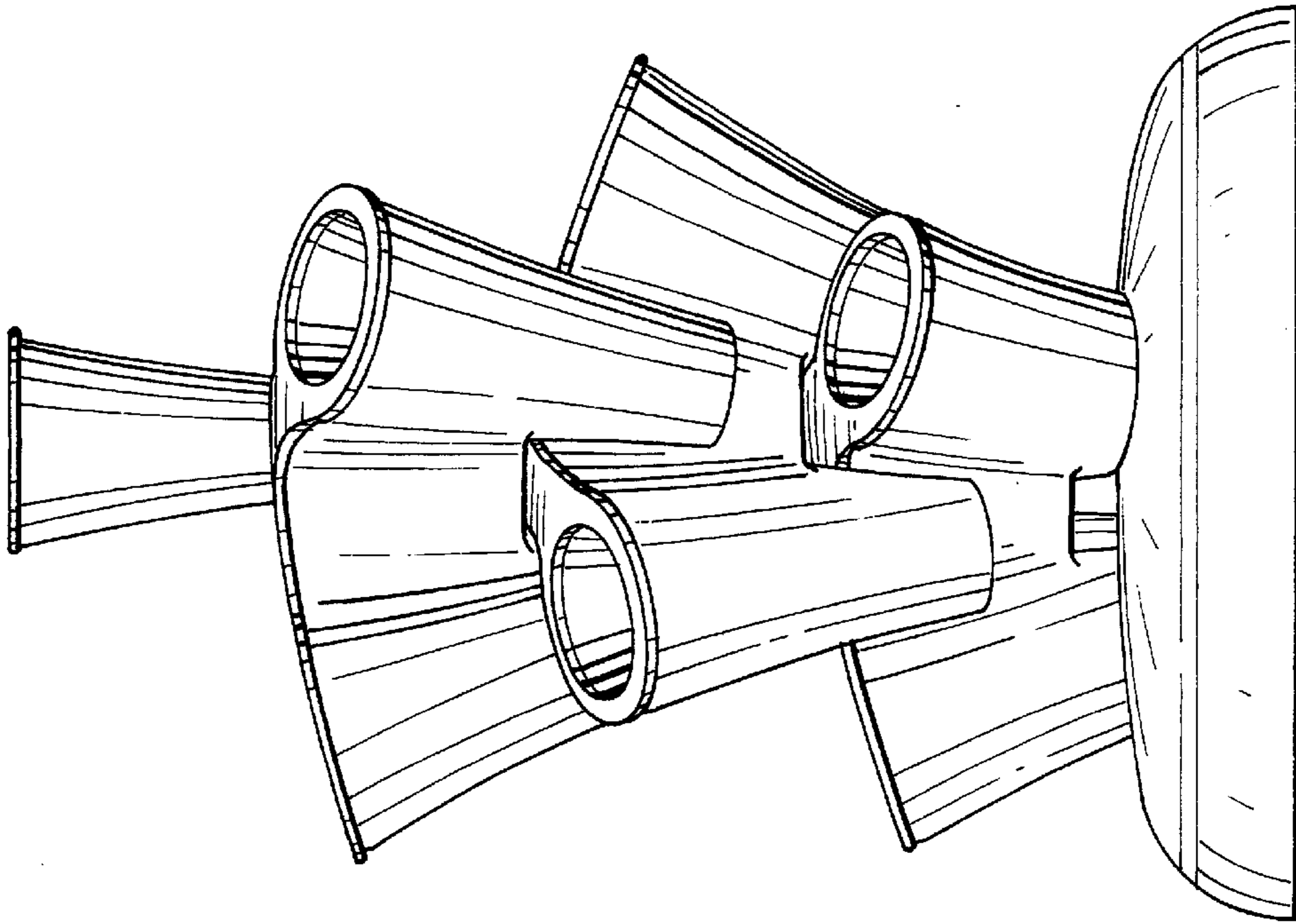


FIG. 5

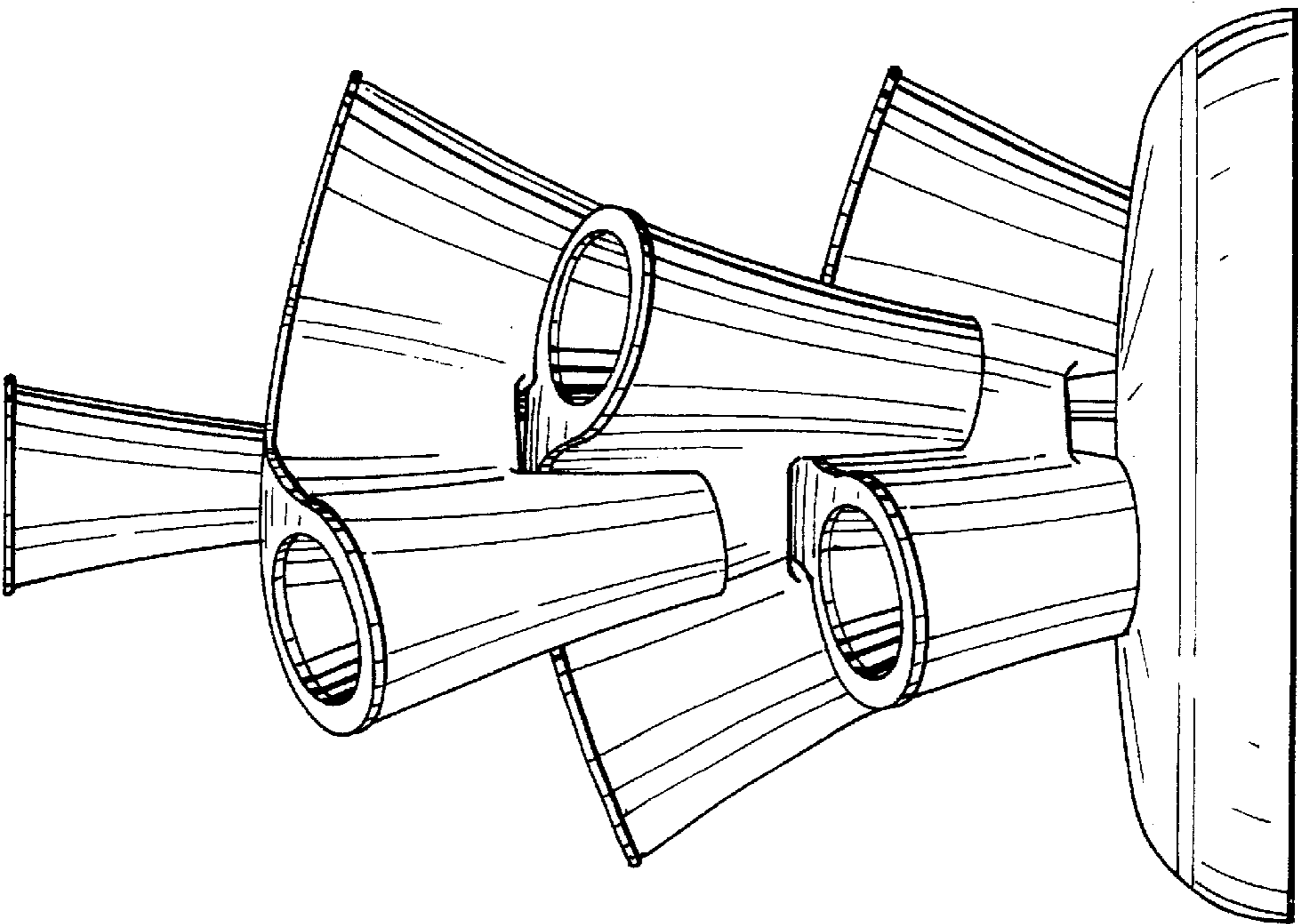


FIG. 4

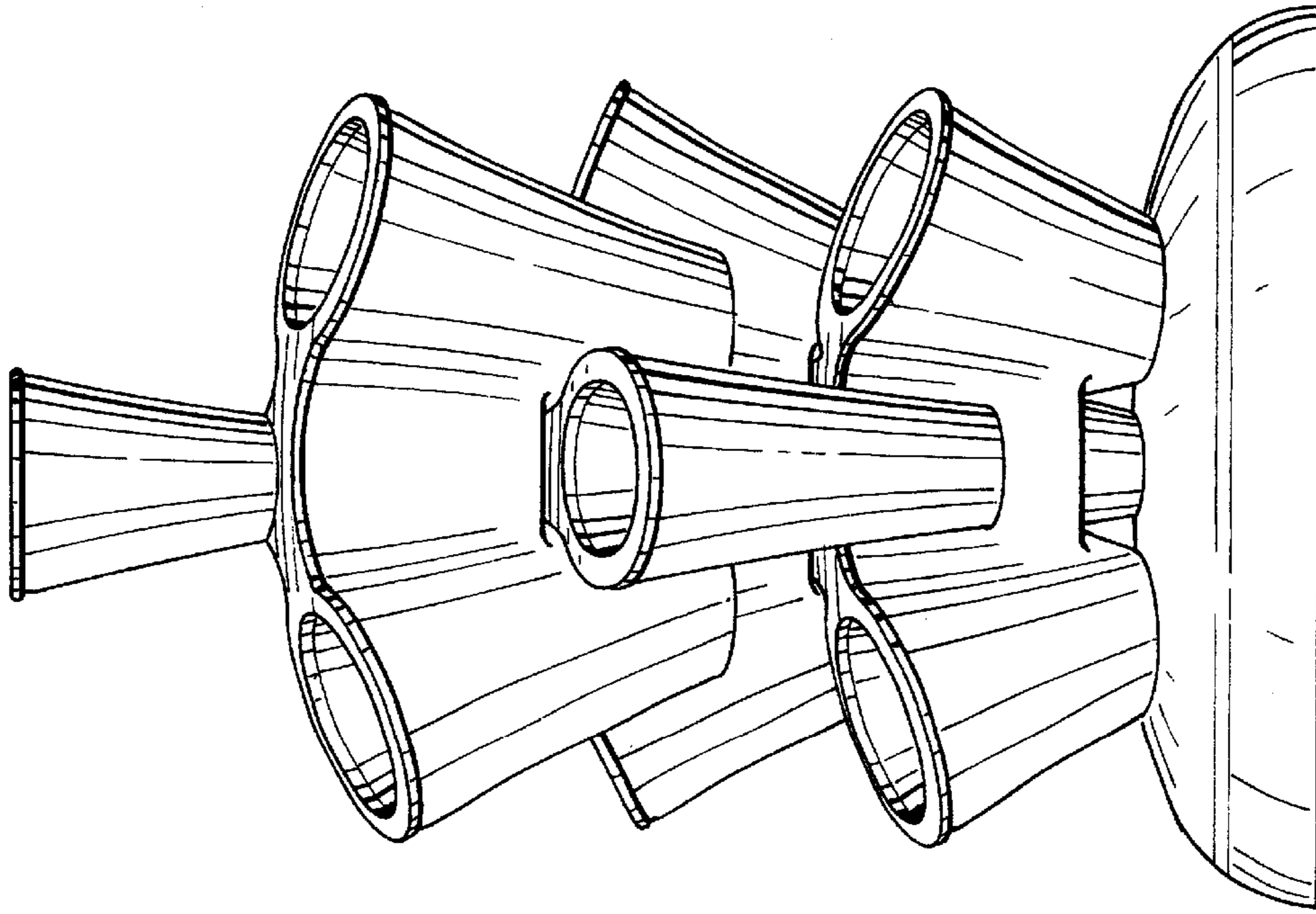


FIG. 7

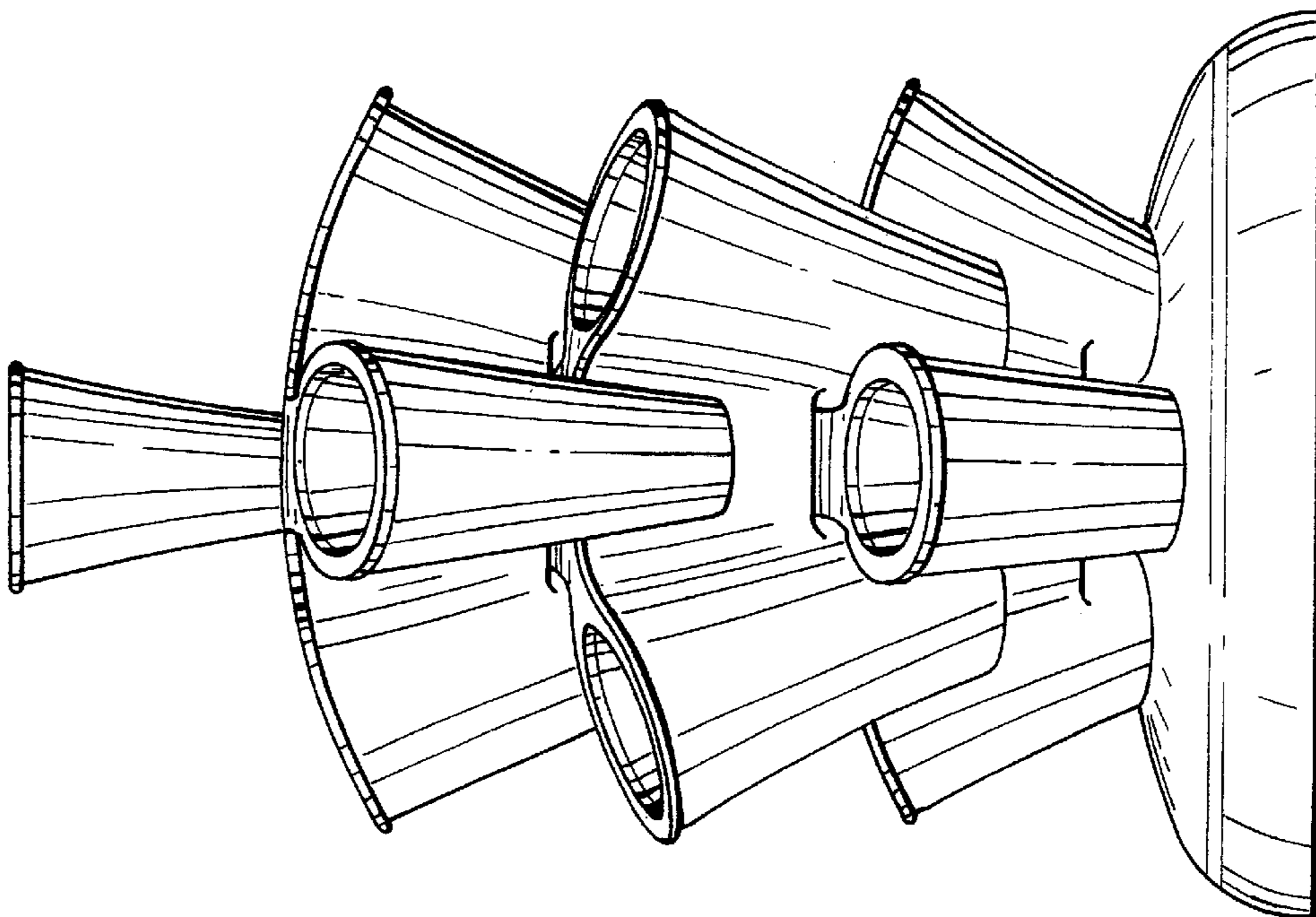


FIG. 6

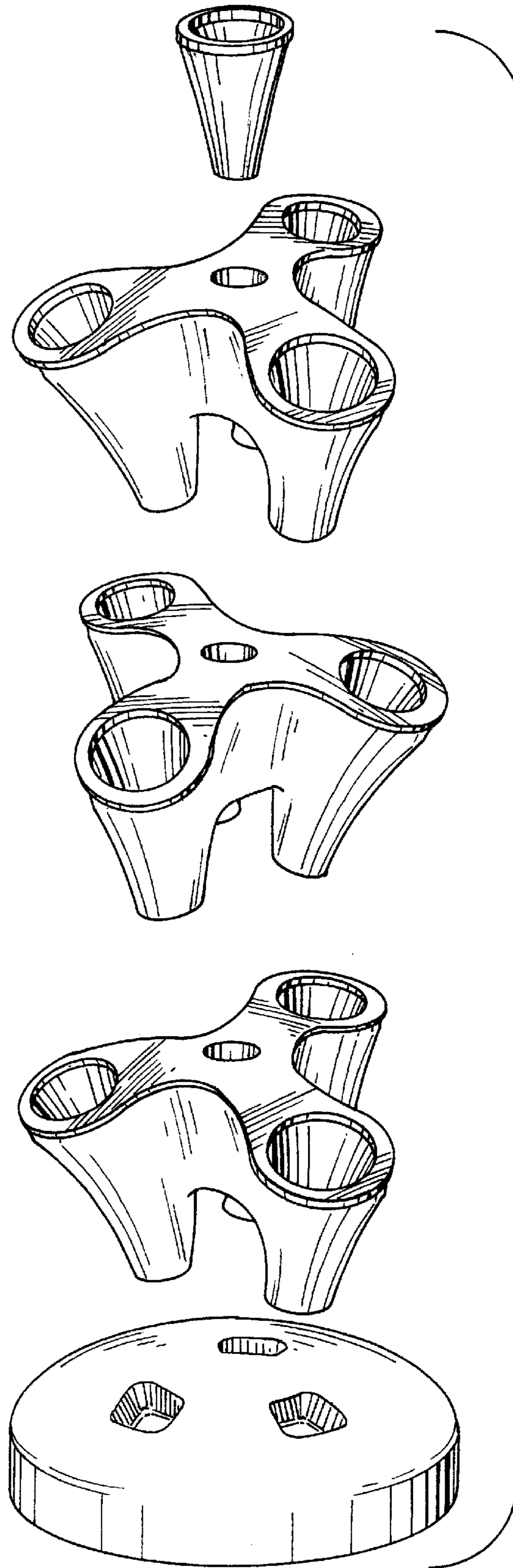


FIG.8