



US00D445051S

(12) **United States Design Patent**
Oakes et al.

(10) **Patent No.:** **US D445,051 S**

(45) **Date of Patent:** **** Jul. 17, 2001**

(54) **COMBINED TRANSMITTER AND RECEIVER FOR ASCERTAINING PROXIMITY OF CHILDREN**

5,617,074 4/1997 White .

* cited by examiner

Primary Examiner—Marcus A. Jackson

(76) Inventors: **Roger C Oakes; Susan C Oakes**, both of 14 Stillwater Ct., Cartersville, GA (US) 30120

(57) **CLAIM**

The ornamental design for a combined transmitter and receiver for ascertaining proximity of children, as shown and described.

(**) Term: **14 Years**

DESCRIPTION

(21) Appl. No.: **29/130,159**

FIG. 1 is a front elevational view of the combined transmitter and receiver for ascertaining proximity of children of the present invention;

(22) Filed: **Sep. 28, 2000**

FIG. 2 is a rear elevational view of the combined transmitter and receiver for ascertaining proximity of children of FIG. 1;

(51) **LOC (7) Cl.** **10-05**

(52) **U.S. Cl.** **D10/104**

(58) **Field of Search** D14/155; D10/104, D10/106, 116, 121; 340/345, 348, 349, 351, 354, 571, 572, 573

FIG. 3 is a left side elevational view of the combined transmitter and receiver for ascertaining proximity of children of FIG. 1;

(56) **References Cited**

U.S. PATENT DOCUMENTS

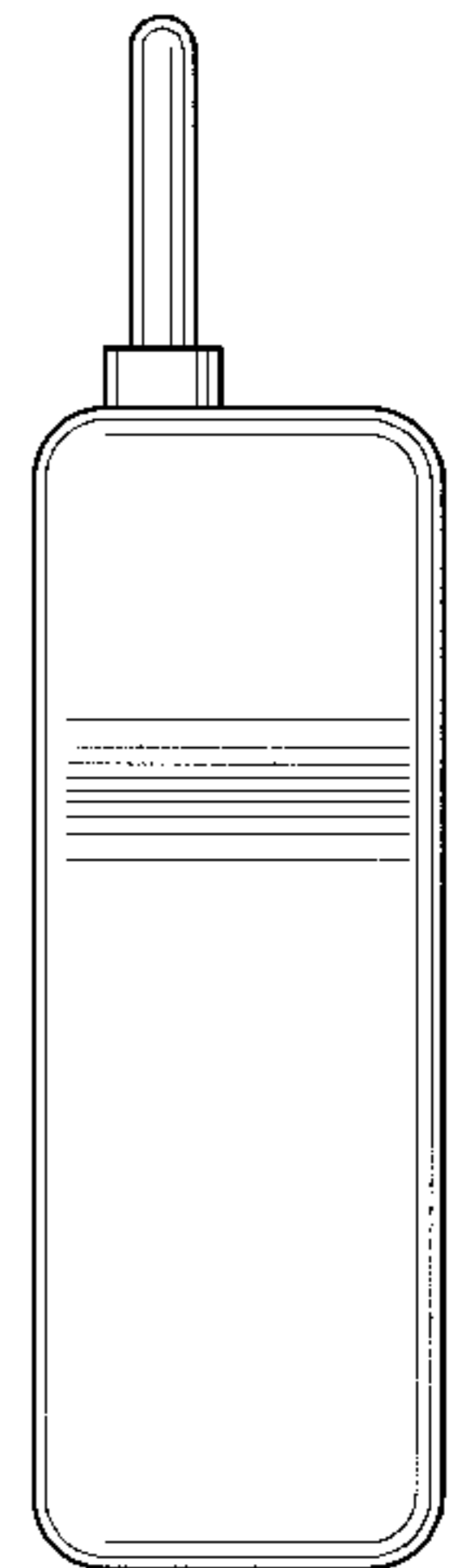
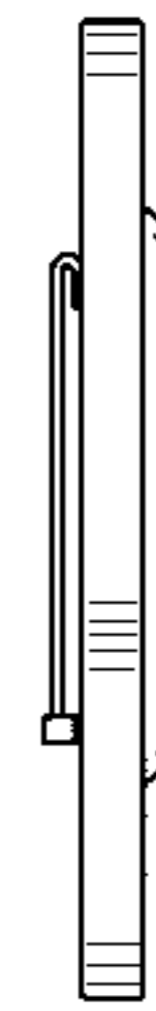
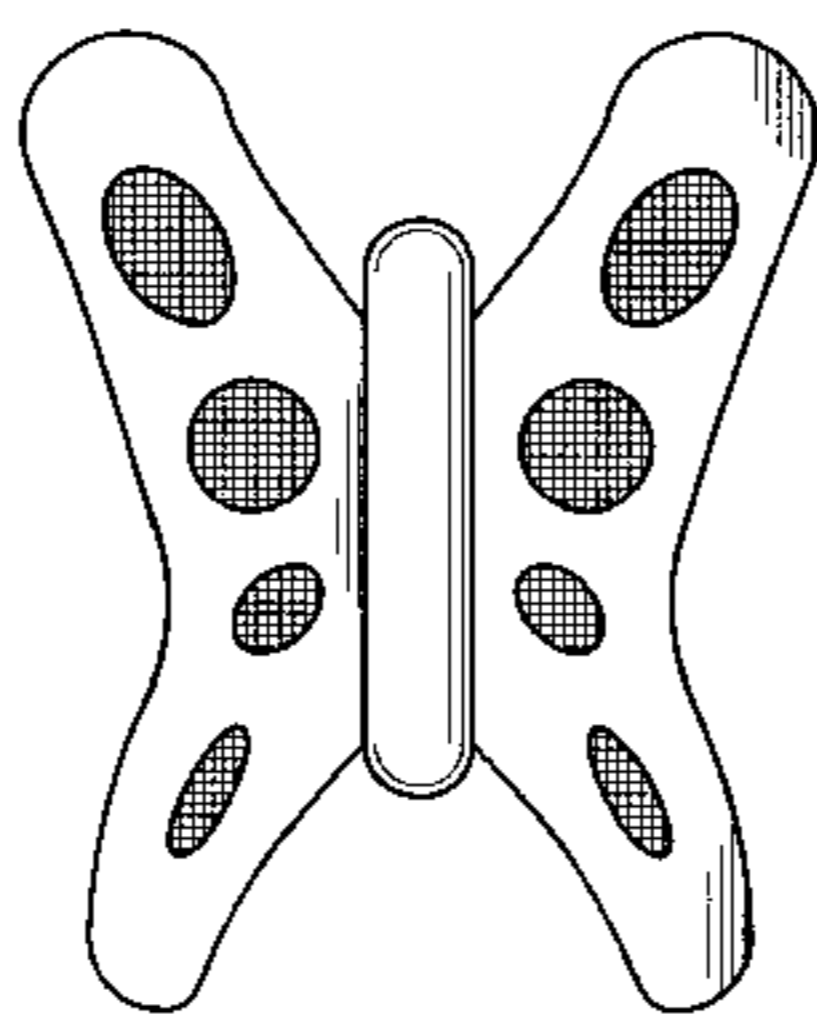
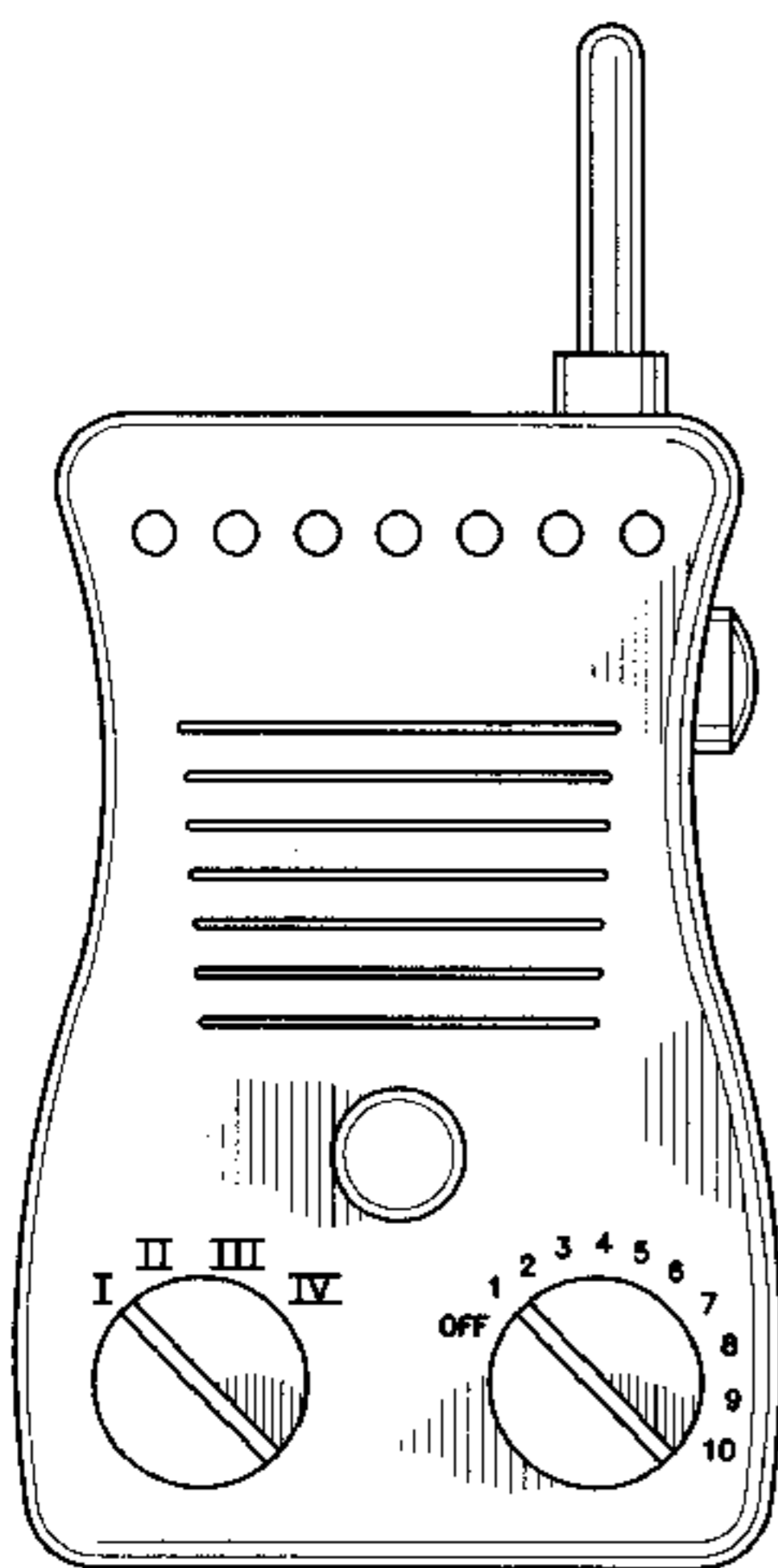
D. 302,535	8/1989	Ernest .	
D. 381,922	8/1997	Casperson .	
D. 424,464 *	5/2000	Stephens	D10/104
5,021,794	6/1991	Lawrence .	
5,289,163	2/1994	Perez et al. .	
5,557,259	9/1996	Musa .	

FIG. 4 is a right side elevational view of the combined transmitter and receiver for ascertaining proximity of children of FIG. 1;

FIG. 5 is a top plan view of the combined transmitter and receiver for ascertaining proximity of children of FIG. 1; and,

FIG. 6 is a bottom plan view of the combined transmitter and receiver for ascertaining proximity of children of FIG. 1.

1 Claim, 6 Drawing Sheets



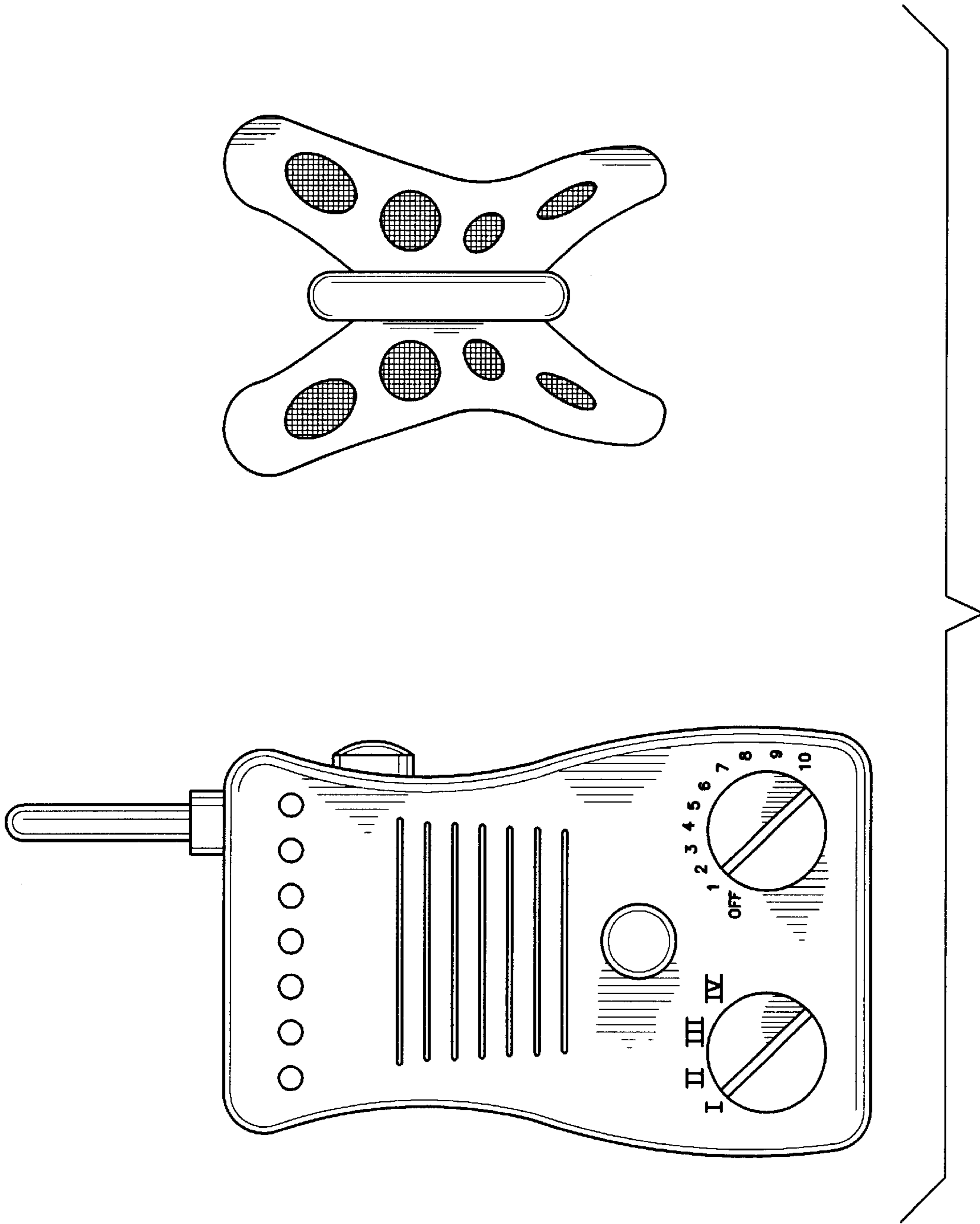


FIG. 1

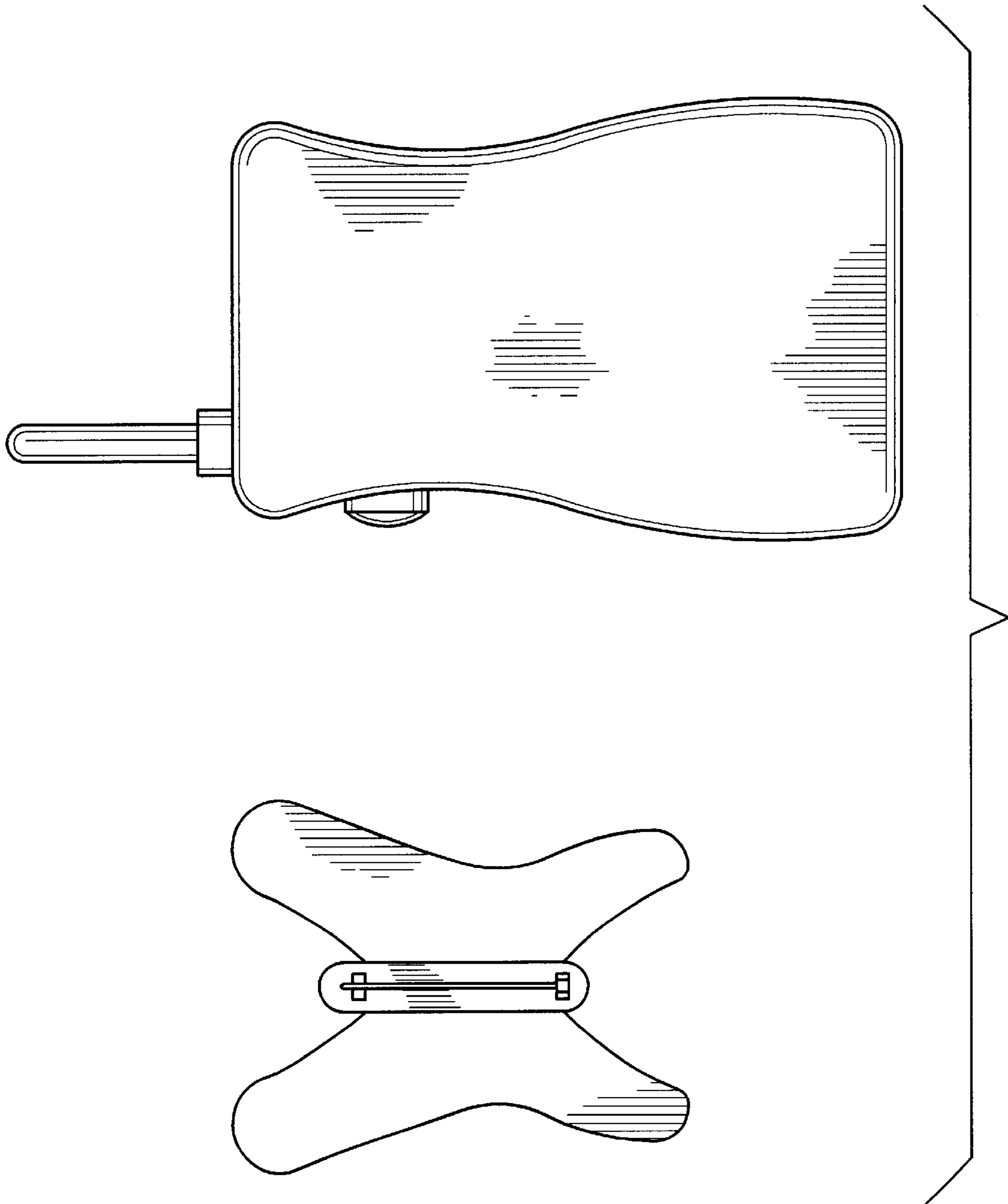


FIG. 2

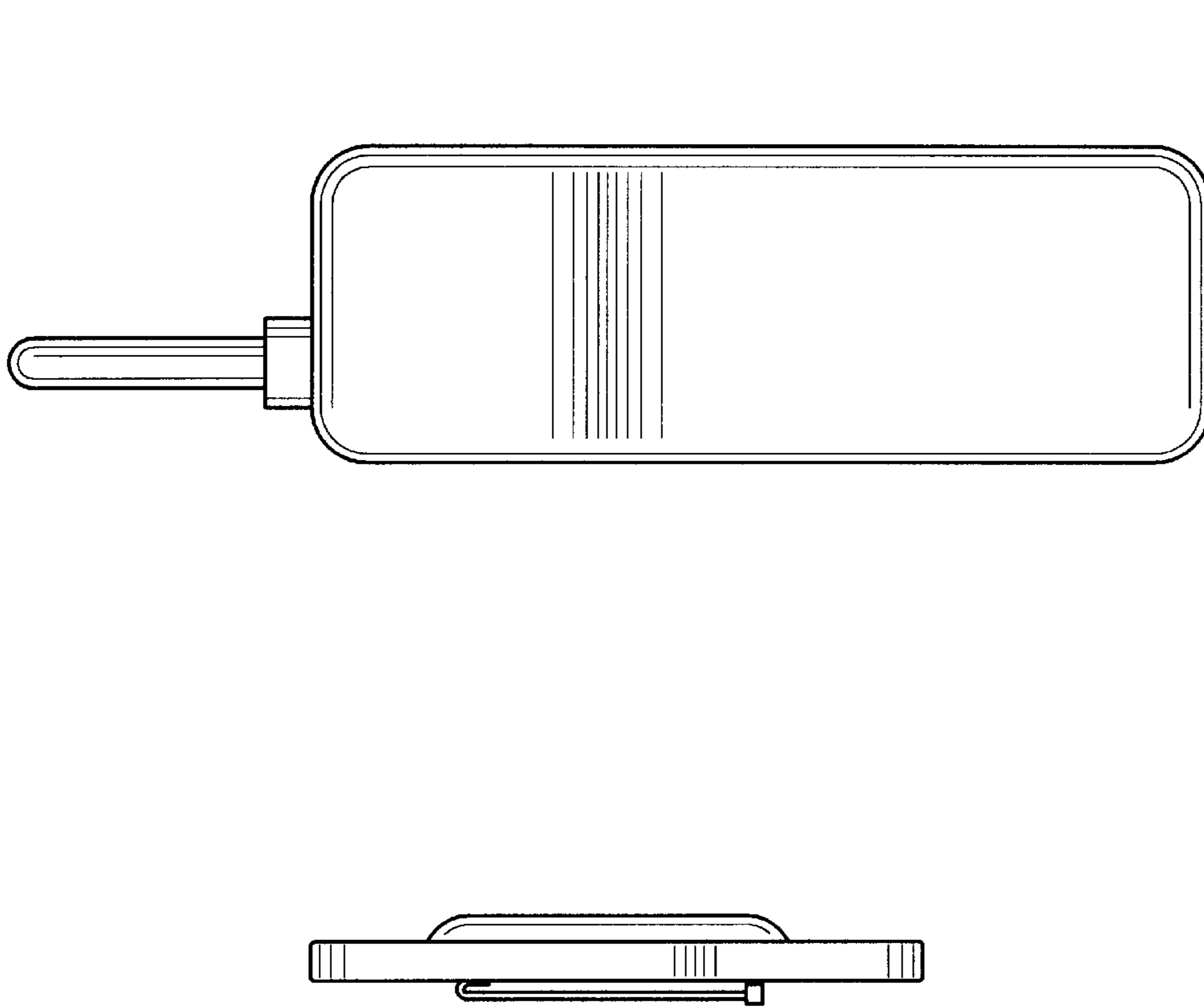


FIG. 3

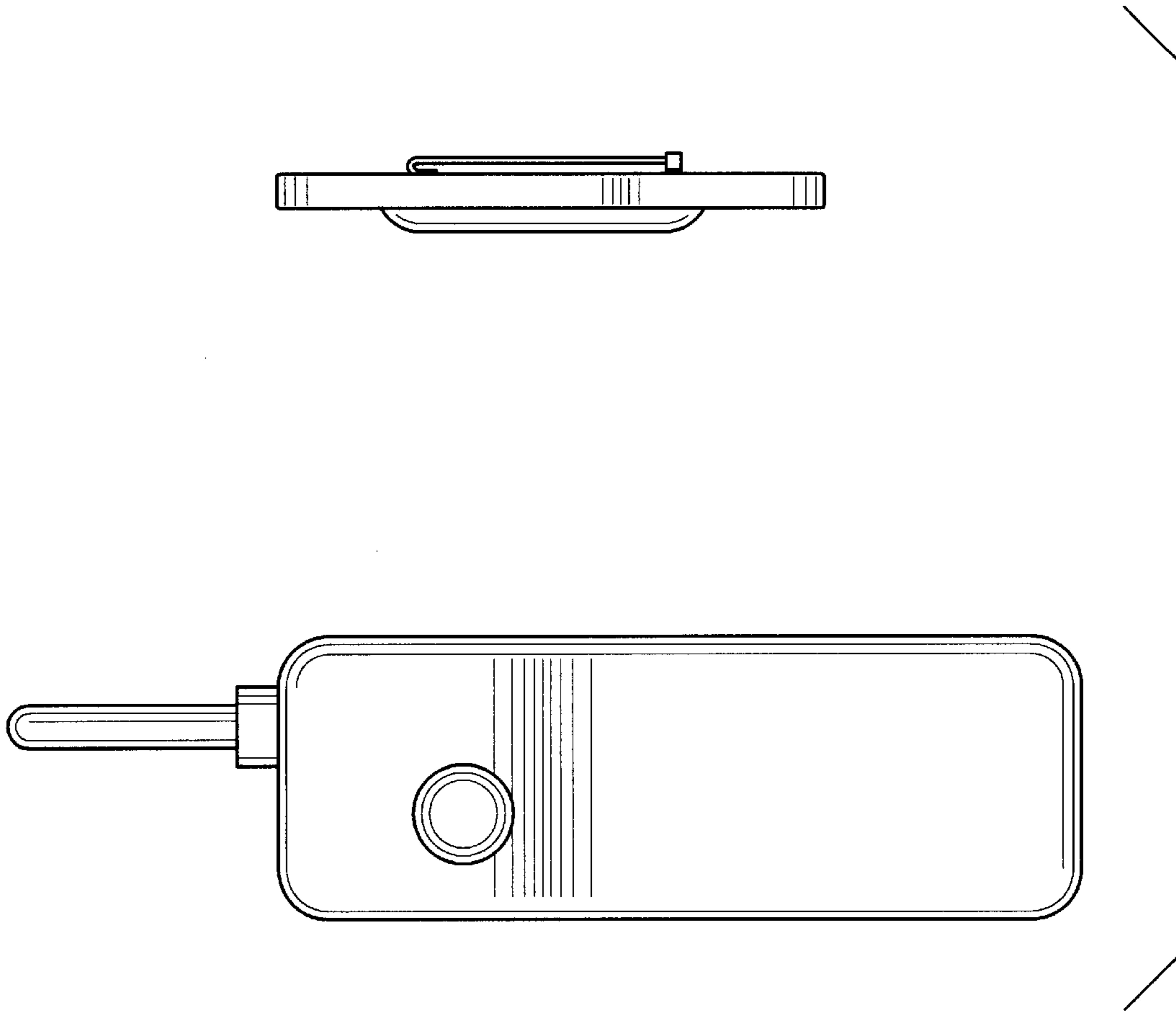


FIG. 4

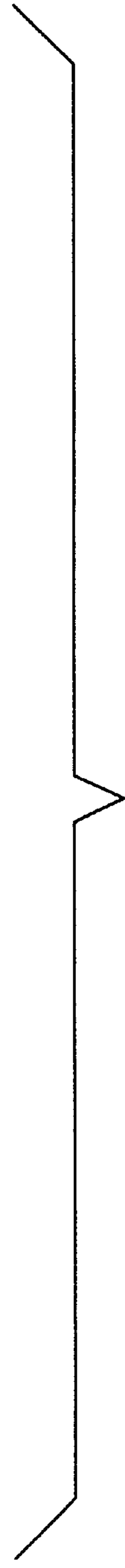
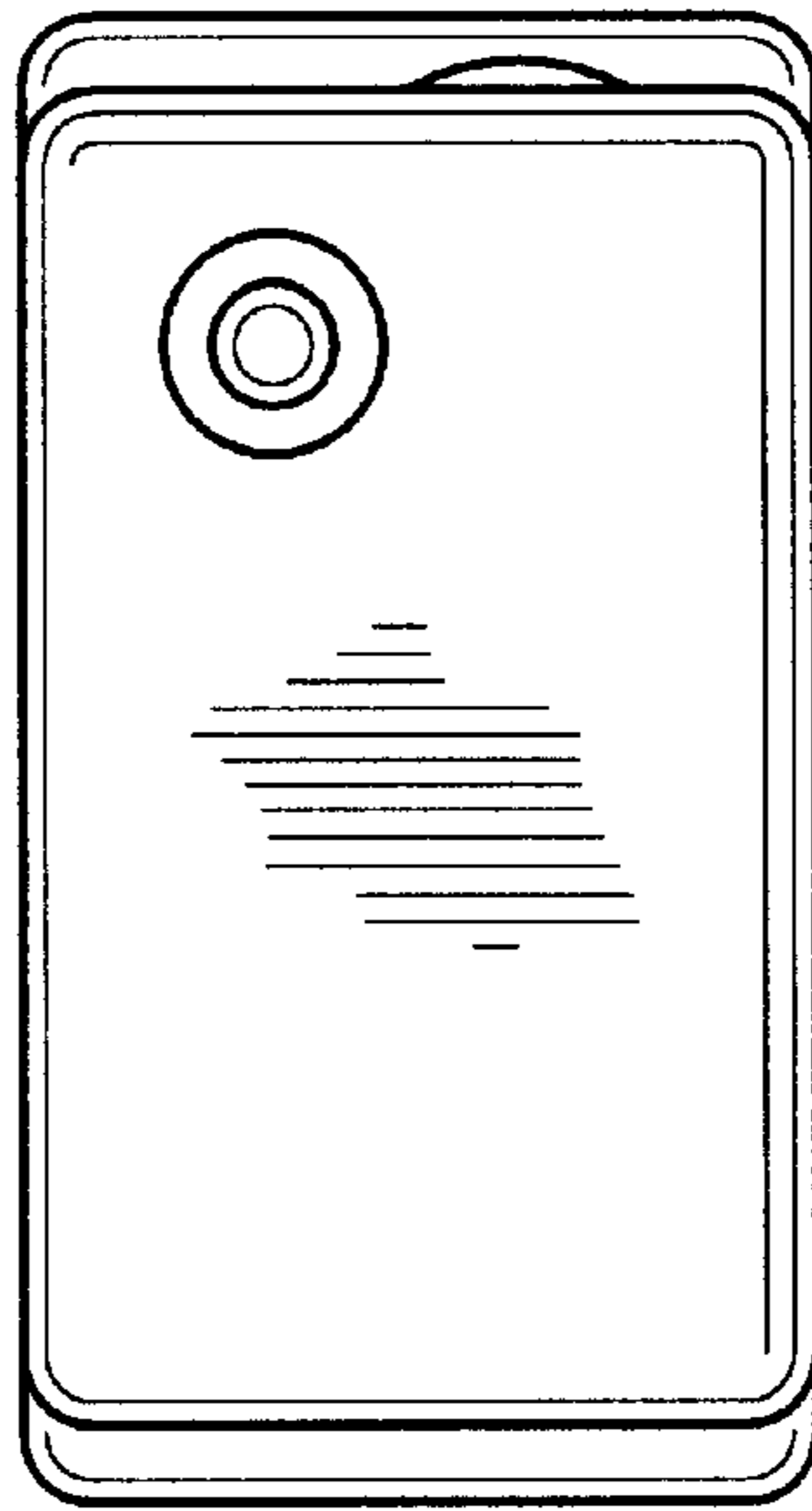
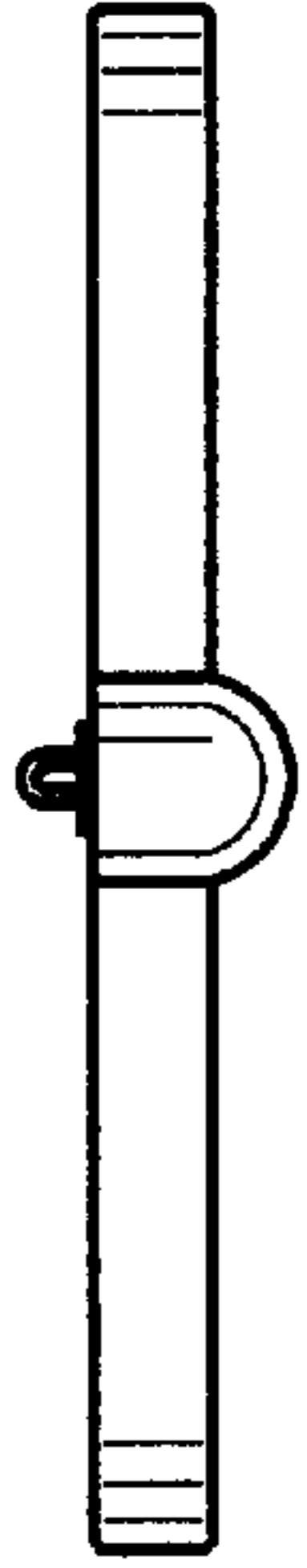


FIG. 5

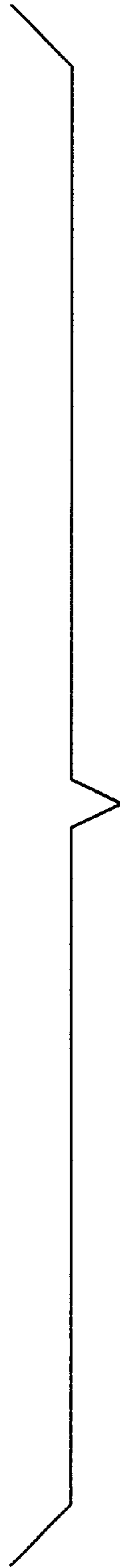
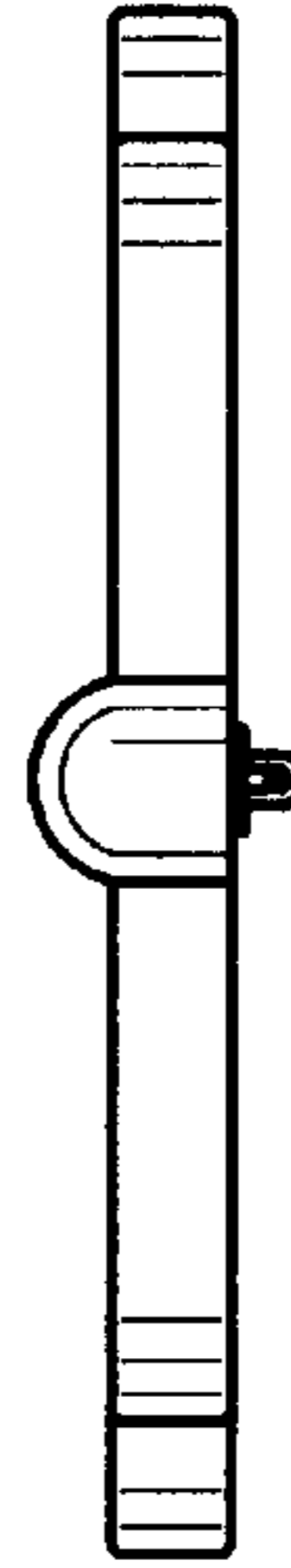
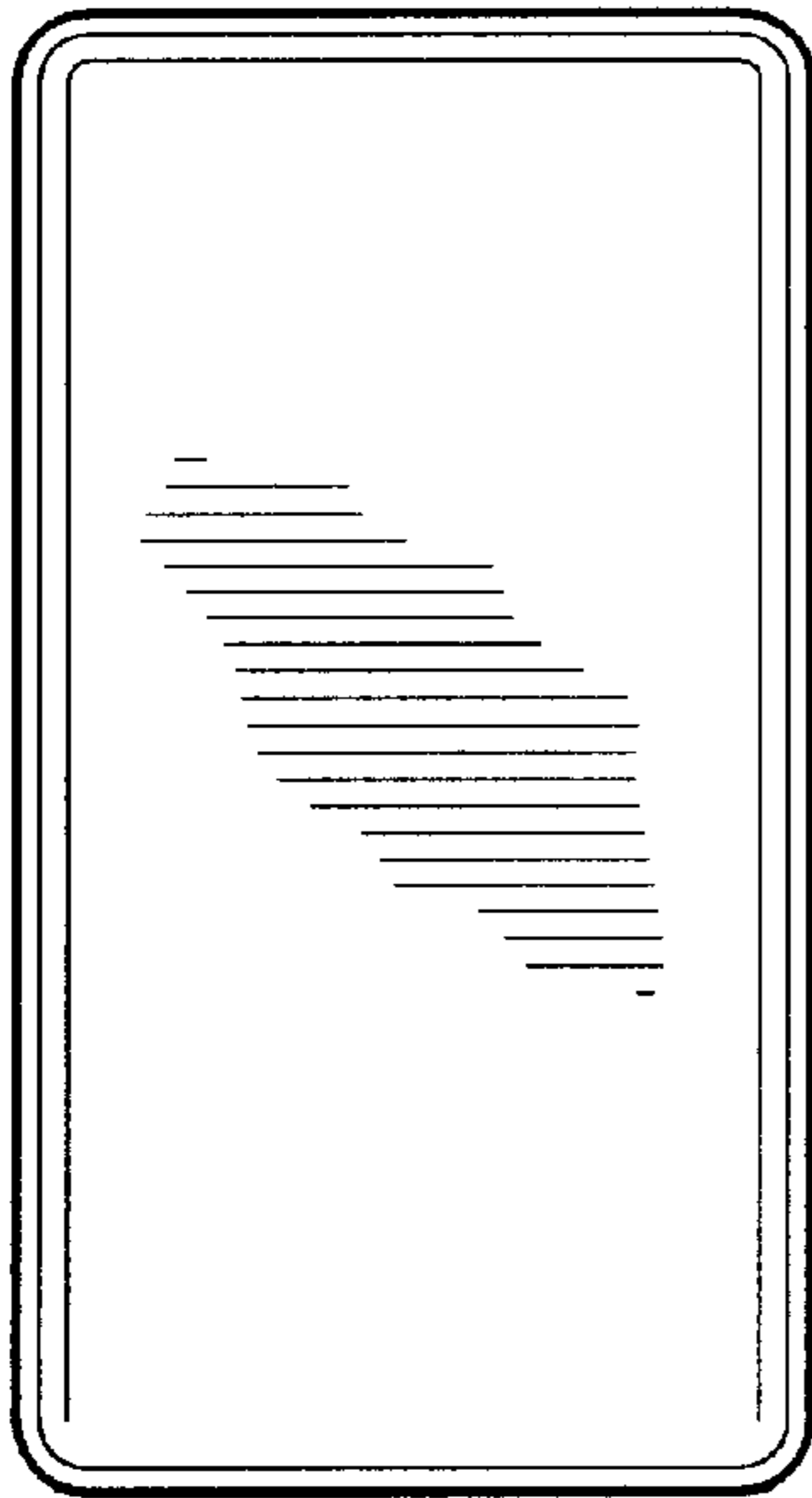


FIG. 6