



US00D445048S

(12) **United States Design Patent**  
**Rodgers et al.**

(10) **Patent No.:** **US D445,048 S**

(45) **Date of Patent:** **\*\* Jul. 17, 2001**

(54) **WEIGHING PLATFORM FOR A SCALE**

(75) Inventors: **Ronald A. Rodgers**, Sebastopol; **Paul Silsby**, Santa Rosa, both of CA (US)

(73) Assignee: **Weigh-Tronix, Inc.**, Fairmont, MN (US)

(\*\*) Term: **14 Years**

(21) Appl. No.: **29/039,800**

(22) Filed: **May 25, 1995**

(51) **LOC (7) Cl.** ..... **10-04**

(52) **U.S. Cl.** ..... **D10/94**

(58) **Field of Search** ..... D10/94; D25/119,  
D25/121; 177/229, 238, 262

(56) **References Cited**

**U.S. PATENT DOCUMENTS**

- D. 29,796 \* 12/1898 Lane ..... D25/119
- D. 205,160 \* 6/1966 Reinecke et al. .... D10/94
- D. 252,861 \* 9/1979 Potts ..... D10/94
- D. 301,695 \* 6/1989 DeCastro ..... D10/94

**OTHER PUBLICATIONS**

Dahlstrom Metal Mouldings & Shapes; Cat. No. 12 ©1969; #1623; p. 36.\*

\* cited by examiner

*Primary Examiner*—Antoine Duval Davis

(74) *Attorney, Agent, or Firm*—Gray Cary Ware & Freidenrich LLP

(57) **CLAIM**

The ornamental design for a weighing platform for a scale, as shown and described.

**DESCRIPTION**

FIG. 1 is a perspective view of a first embodiment of the weighing platform for a scale according to the invention, the broken-line portion of the figure illustrating the scale being for illustrative purposes only and forming no part of the claimed design.

FIG. 2 is a right side elevational view of the first embodiment, the left side elevational view being the same.

FIG. 3 is a top plan view of the first embodiment.

FIG. 4 is a front side elevational view of the first embodiment, the back side elevational view being the same.

FIG. 5 is a bottom plan view of the first embodiment.

FIG. 6 is a perspective view of a second embodiment of the weighing platform for a scale according to the invention, the broken-line portion of the figure illustrating the scale being for illustrative purposes only and forming no part of the claimed design.

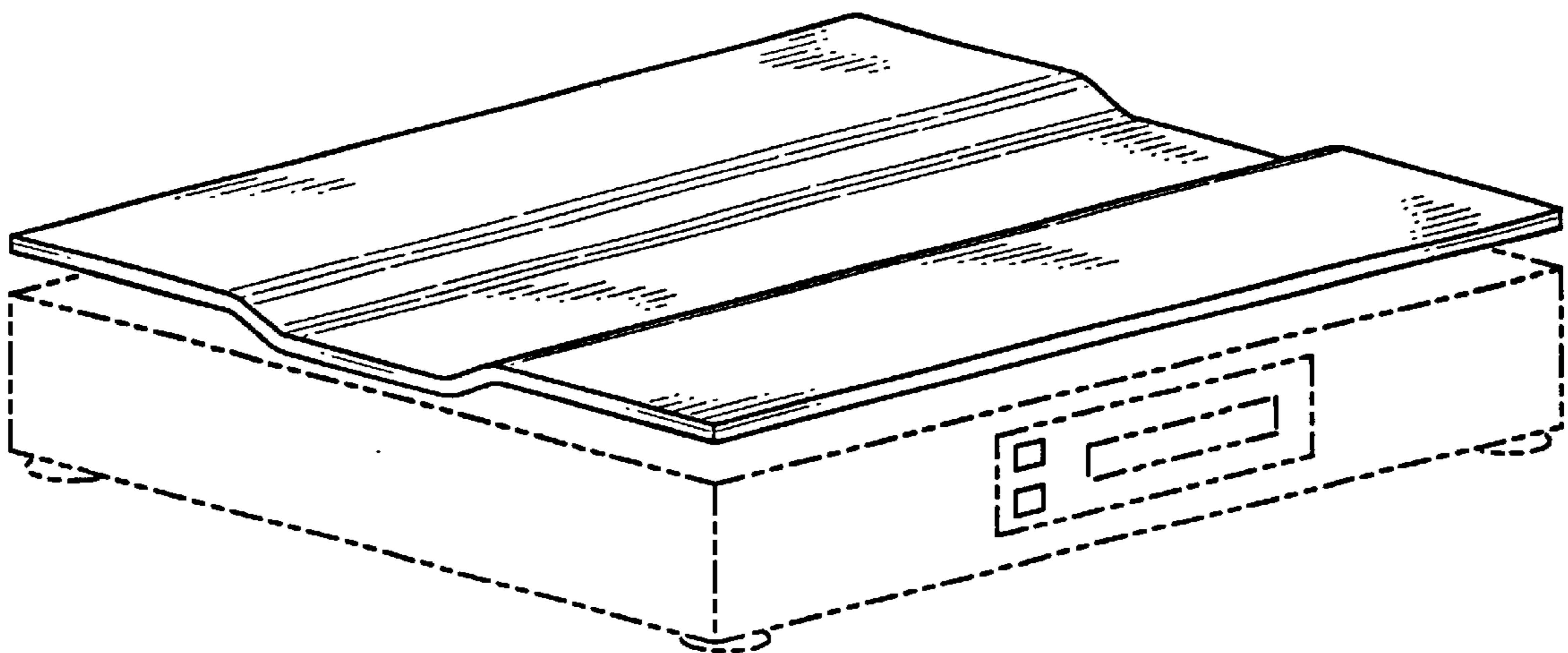
FIG. 7 is a front side elevational view of the second embodiment, the back side elevational view being the same.

FIG. 8 is a top plan view of the second embodiment.

FIG. 9 is a right side elevational view of the second embodiment, the left side elevational view being the same; and,

FIG. 10 is a bottom plan view of the second embodiment.

**1 Claim, 4 Drawing Sheets**



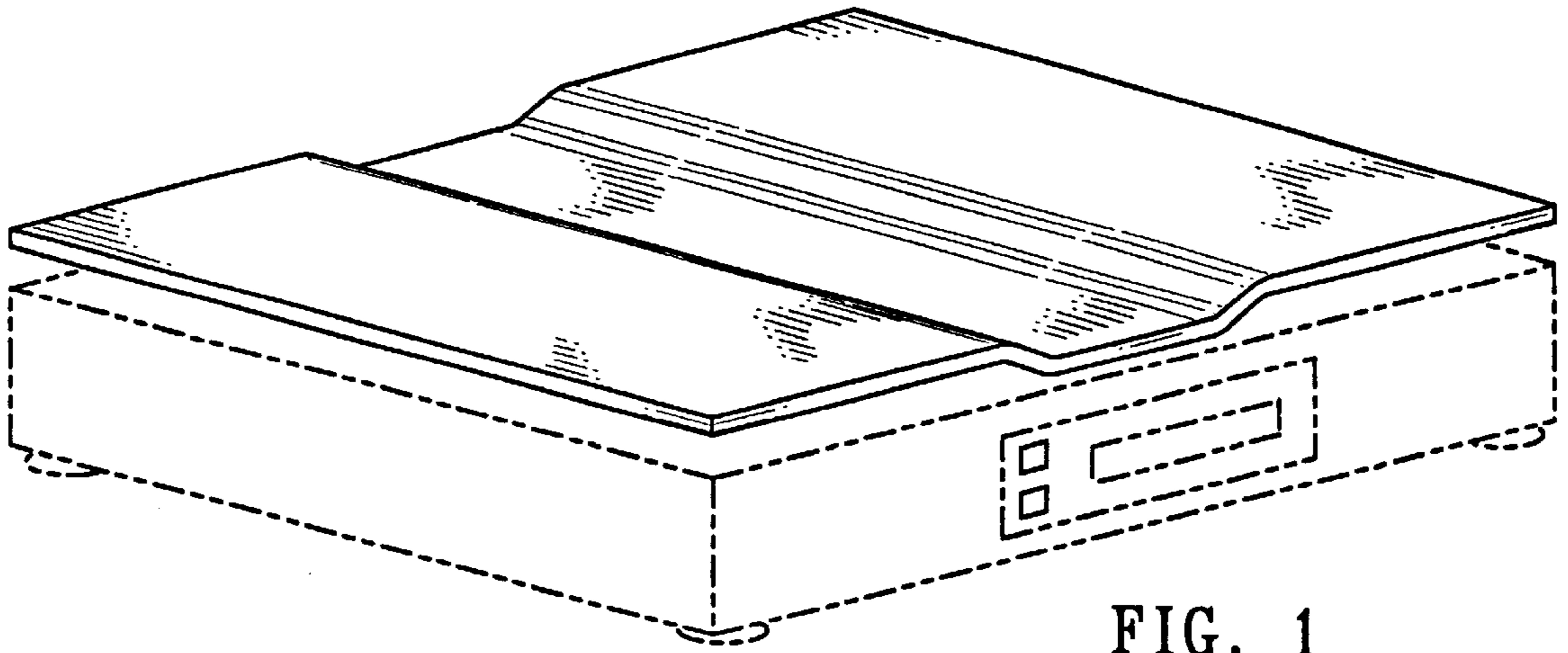


FIG. 1

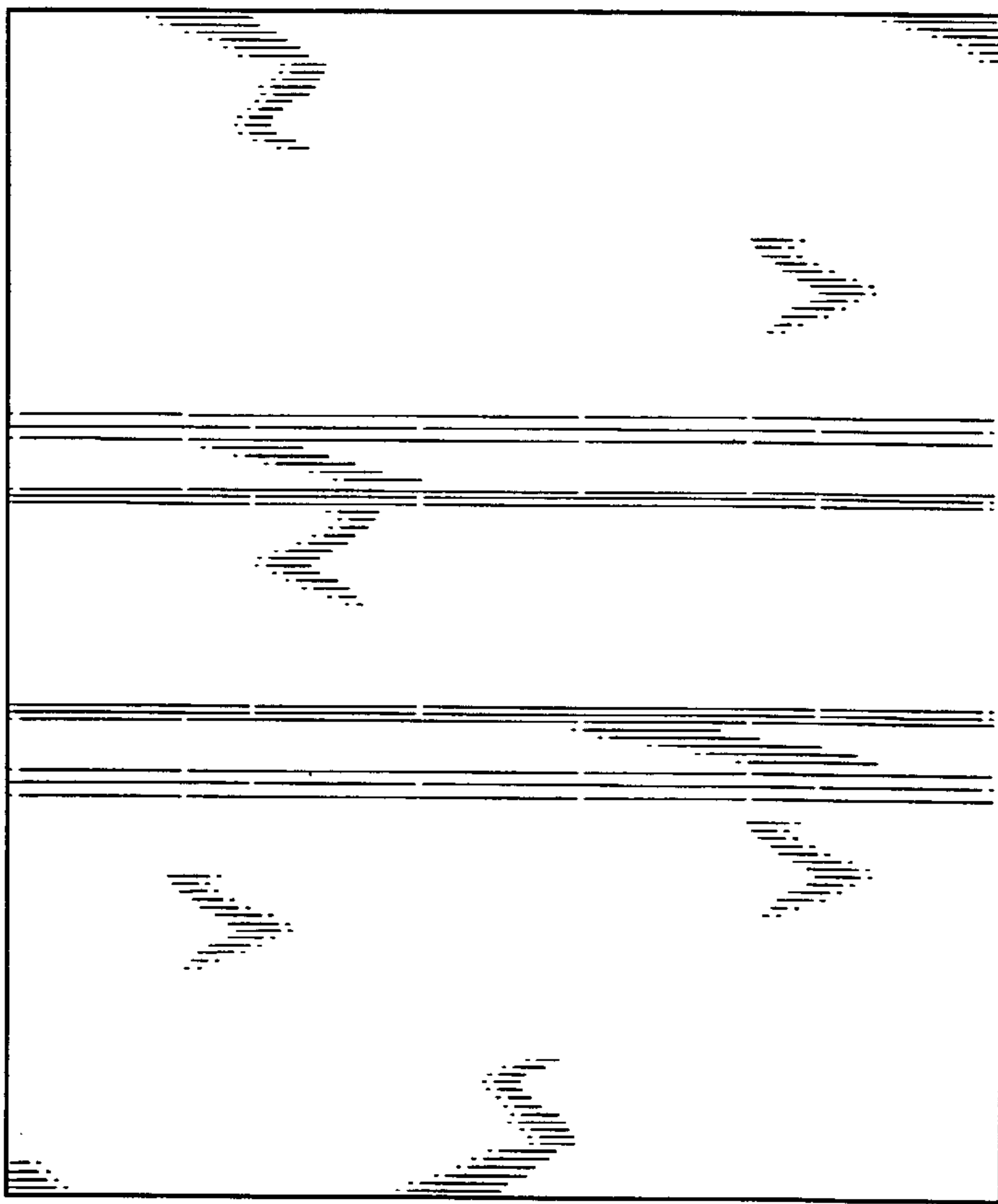


FIG. 3



FIG. 2

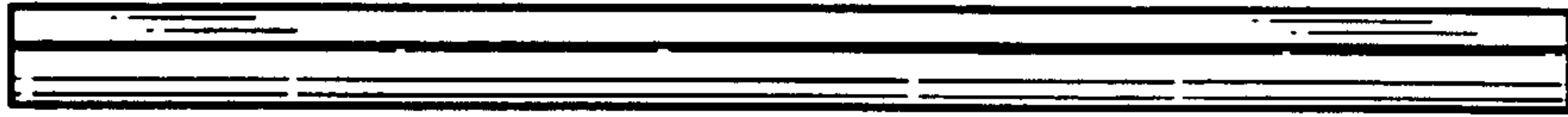


FIG. 4

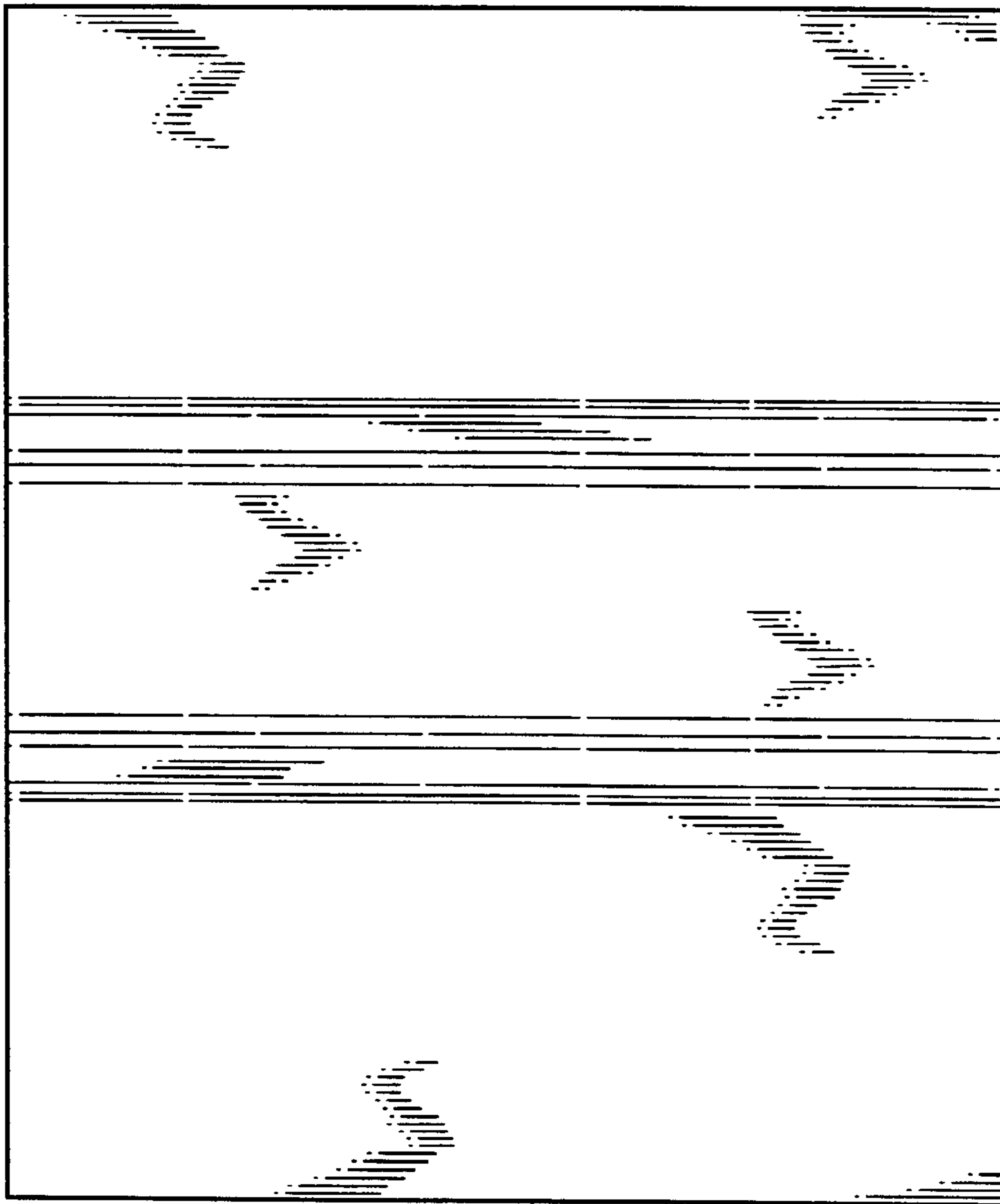


FIG. 5

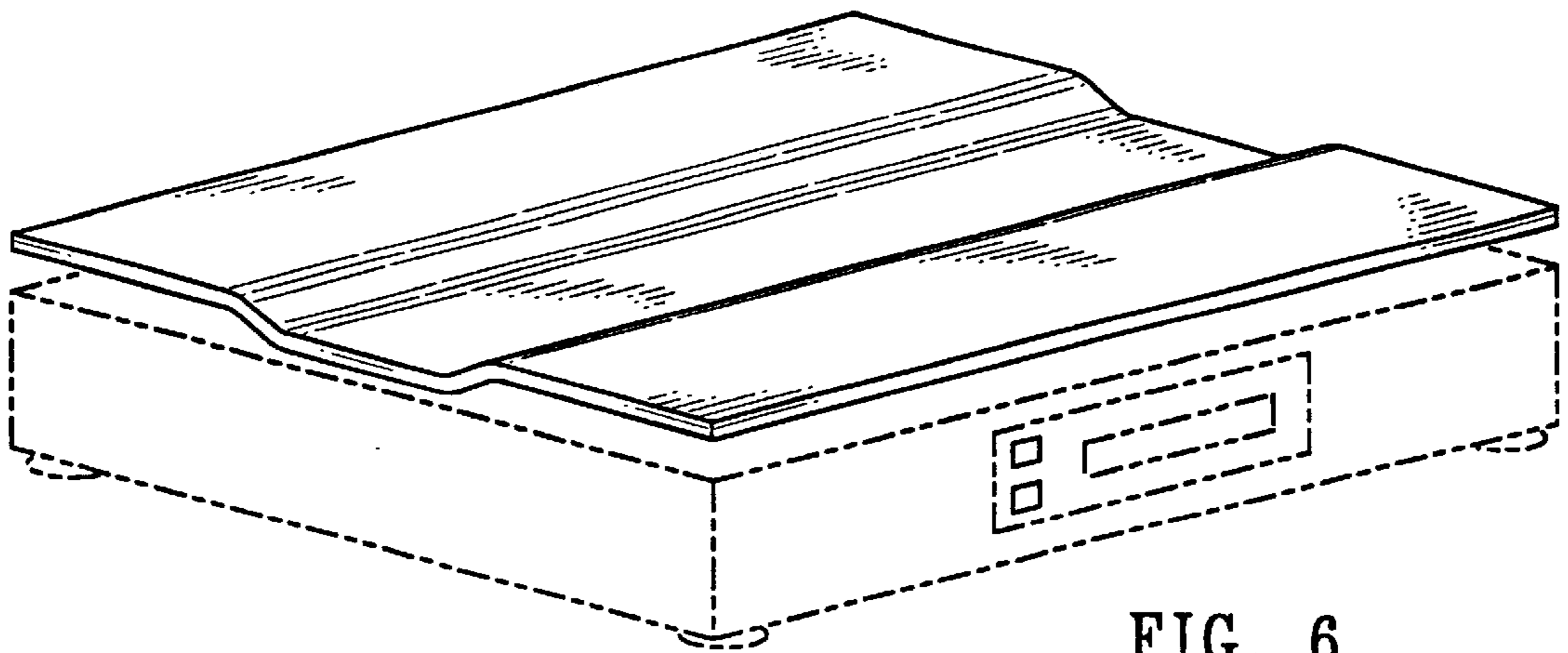


FIG. 6

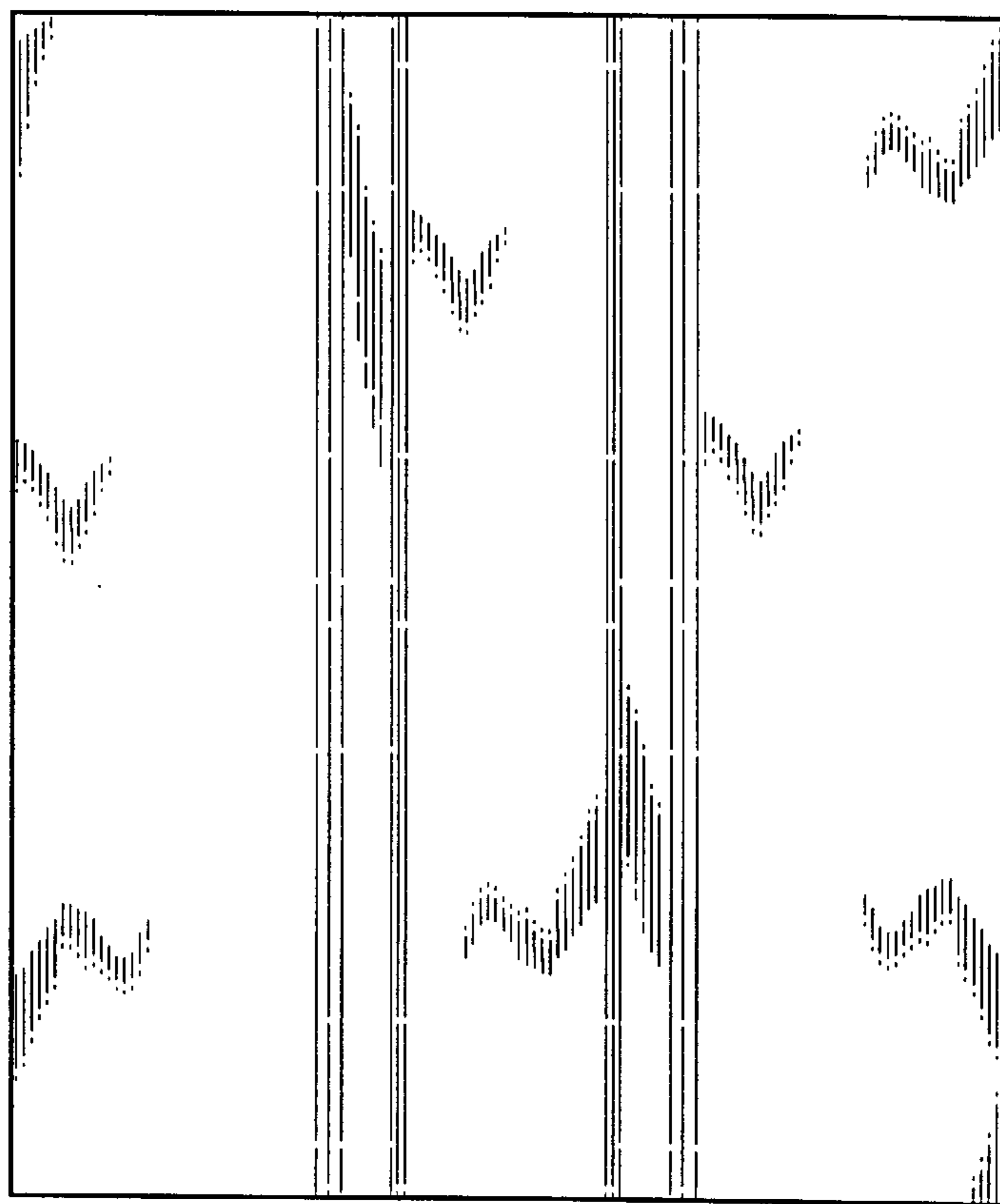


FIG. 8



FIG. 7

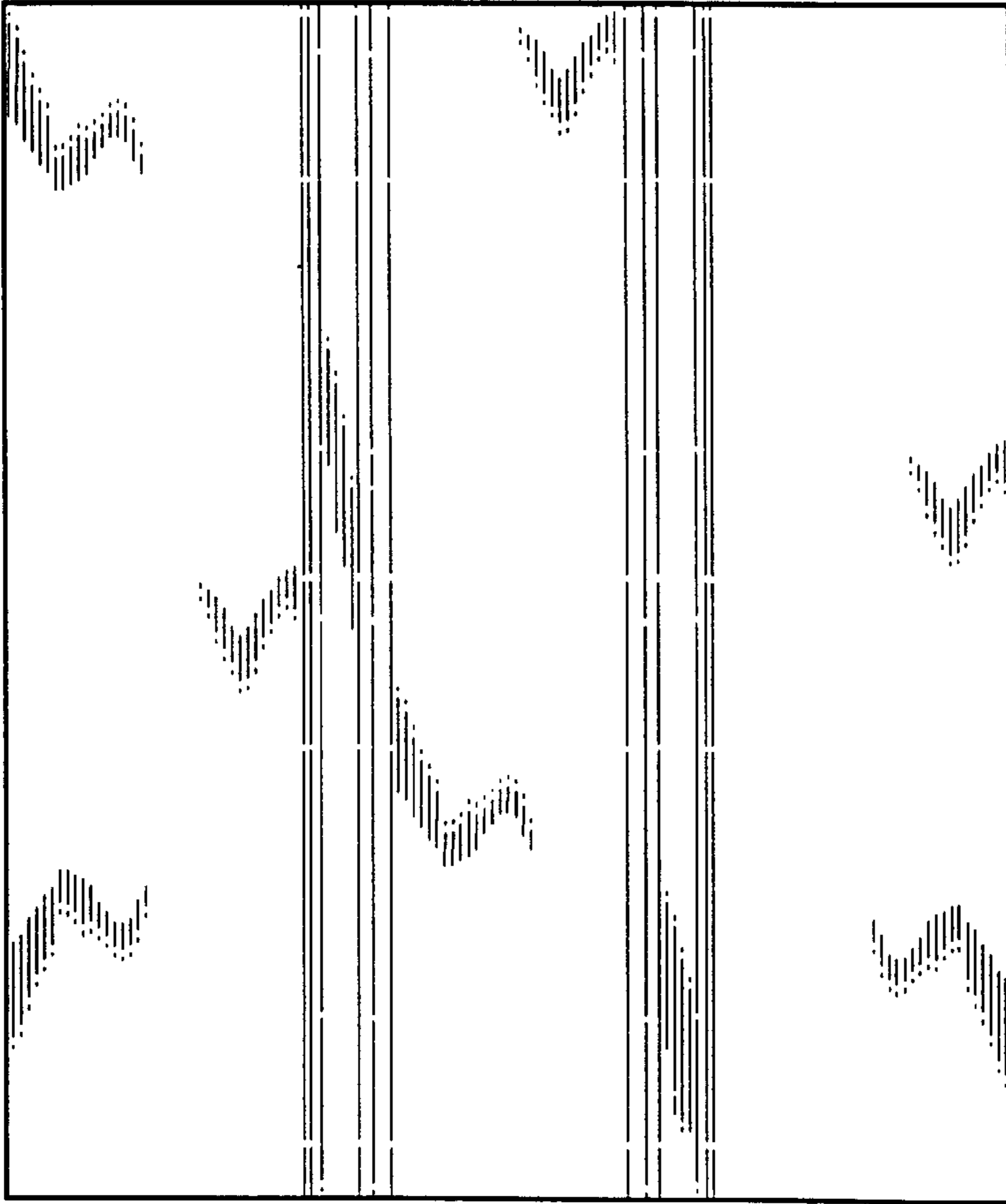


FIG. 10



FIG. 9