



US00D445047S

(12) **United States Design Patent**
Higashikata et al.

(10) **Patent No.:** **US D445,047 S**

(45) **Date of Patent:** **** Jul. 17, 2001**

(54) **REGULATOR FOR A MANIFOLD**

(75) Inventors: **Akira Higashikata**, Toride; **Hiroki Takaoka**, Ibaraki-ken, both of (JP)

(73) Assignee: **SMC Kabushiki Kaisha**, Tokyo (JP)

(**) Term: **14 Years**

(21) Appl. No.: **29/121,687**

(22) Filed: **Apr. 12, 2000**

(30) **Foreign Application Priority Data**

Oct. 15, 1999 (JP) 11-28382

(51) **LOC (7) Cl.** **10-04**

(52) **U.S. Cl.** **D10/85**

(58) **Field of Search** D10/49, 85, 96;
137/495, 483, 512

(56) **References Cited**

U.S. PATENT DOCUMENTS

D. 277,223 * 1/1985 Gall et al. D10/85

* cited by examiner

Primary Examiner—Antoine Duval Davis
(74) *Attorney, Agent, or Firm*—Frishauf, Holtz, Goodman, Langer & Chick, P.C.

(57) **CLAIM**

The ornamental design for a regulator for a manifold, as shown and described.

DESCRIPTION

FIG. 1 is a top, front and right-side perspective view of a regulator for a manifold showing our new design;

FIG. 2 is a front view thereof;

FIG. 3 is a right side view thereof, the left side view being a mirror image;

FIG. 4 is a rear view thereof;

FIG. 5 is a top plan view thereof; and,

FIG. 6 is a bottom plan view thereof.

1 Claim, 5 Drawing Sheets

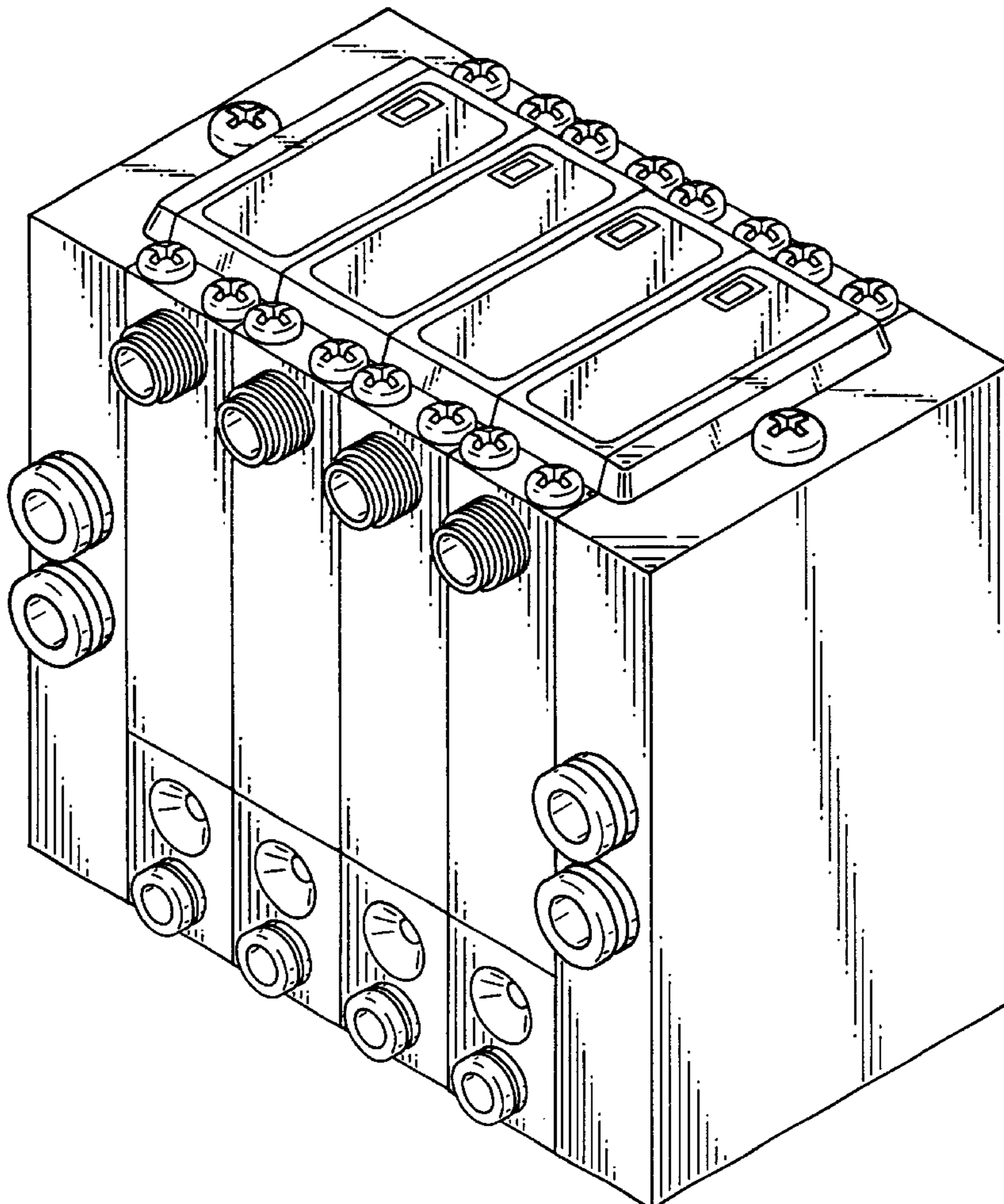


FIG. 1

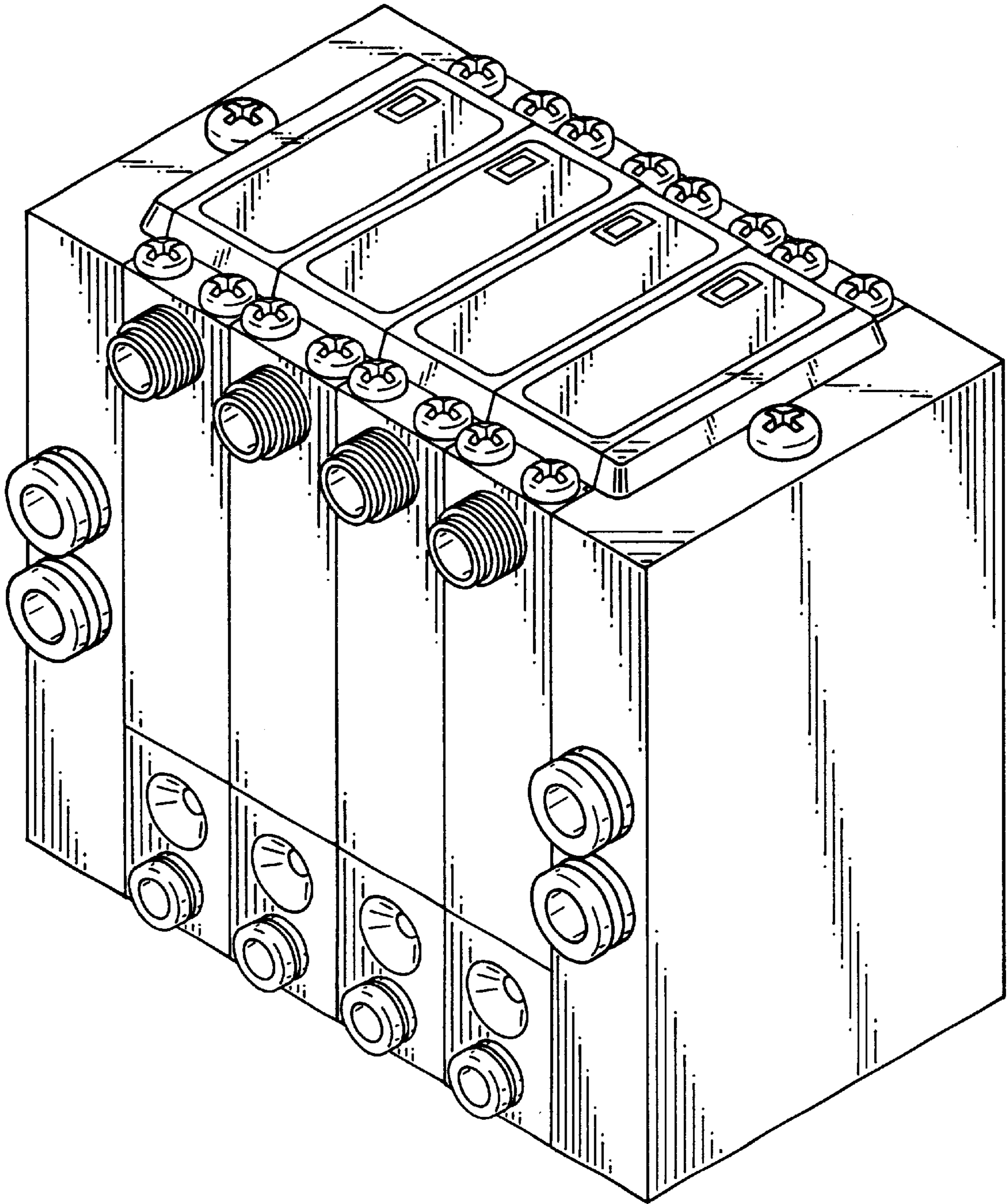


FIG. 2

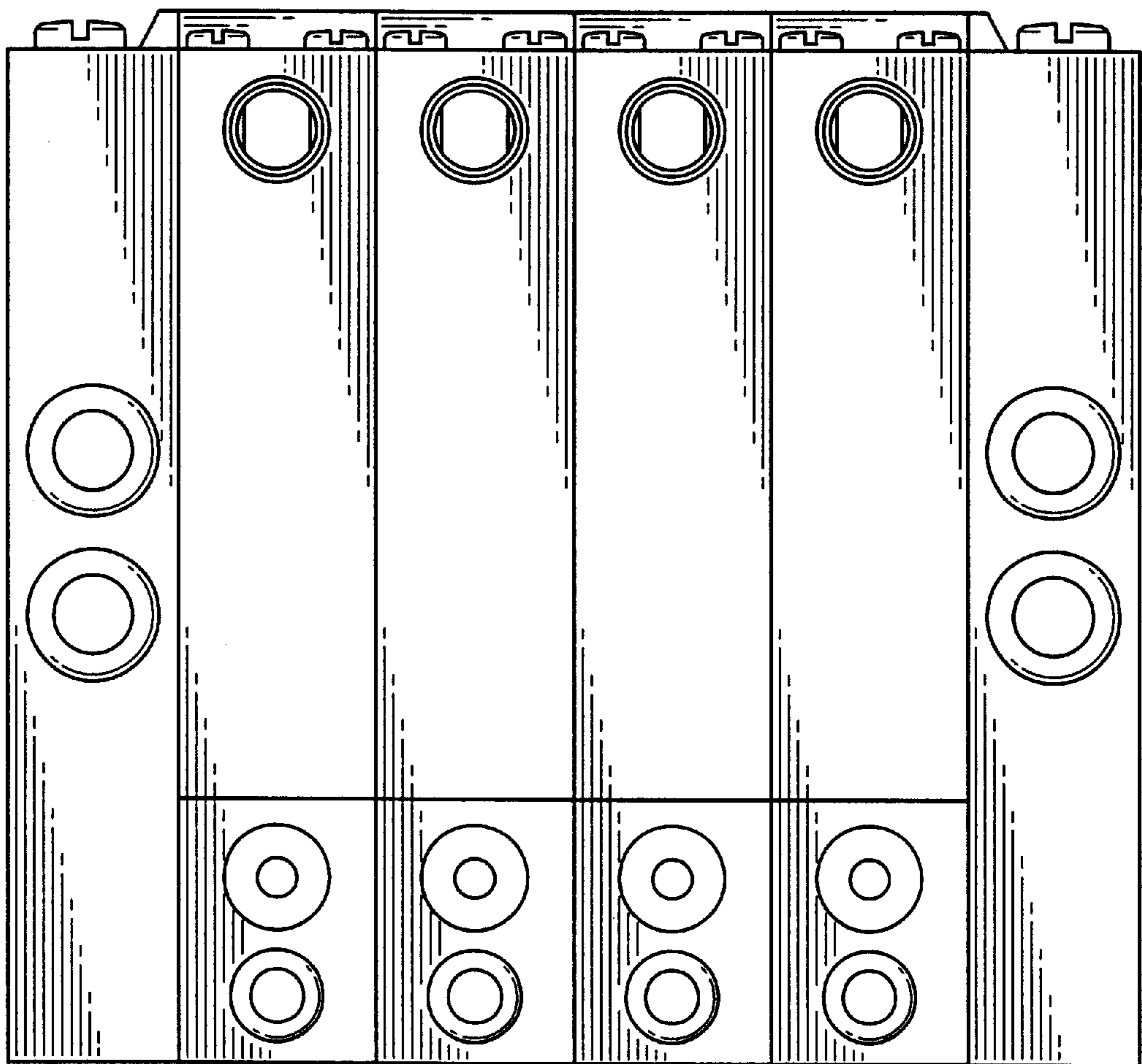


FIG. 3

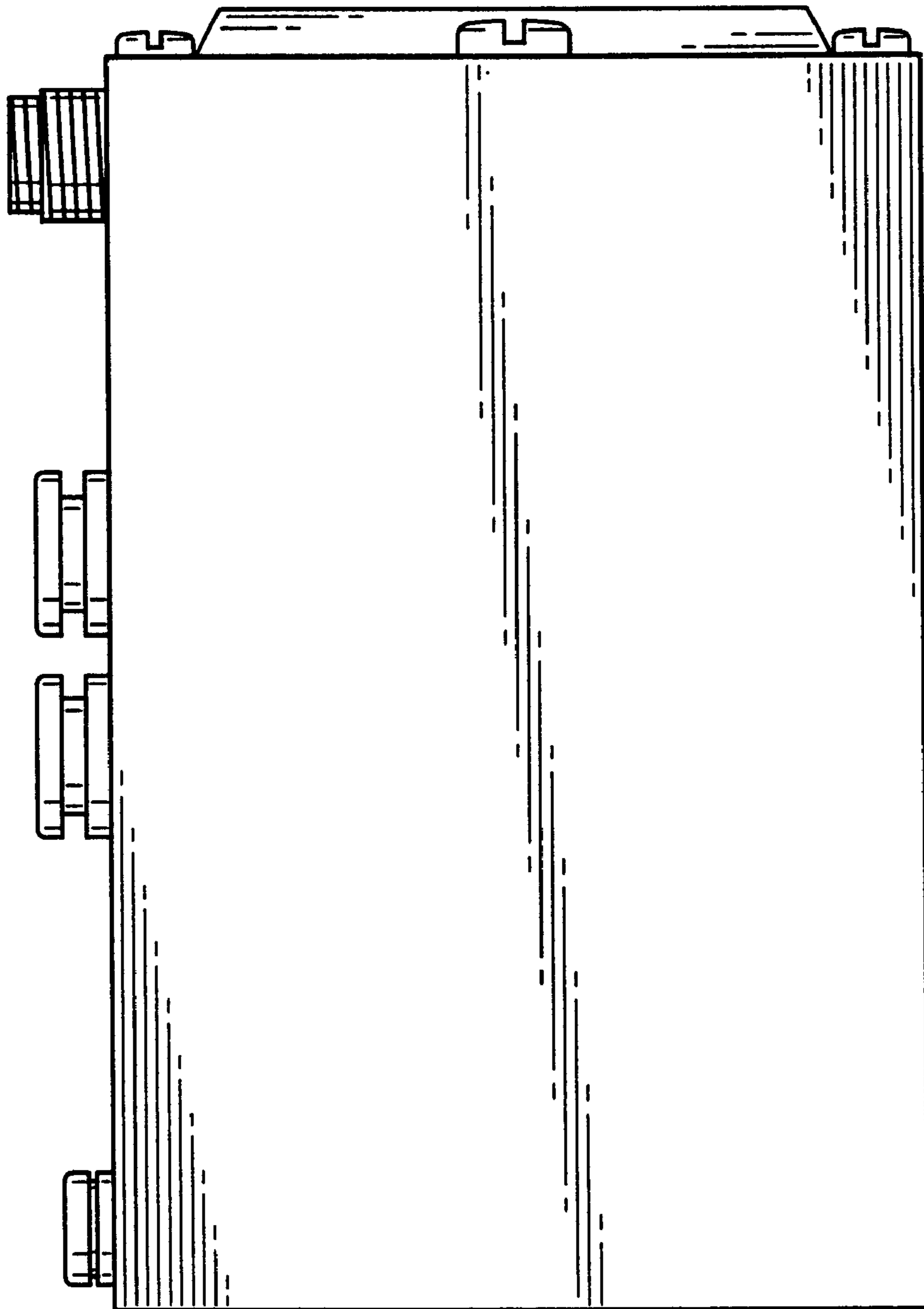


FIG. 4

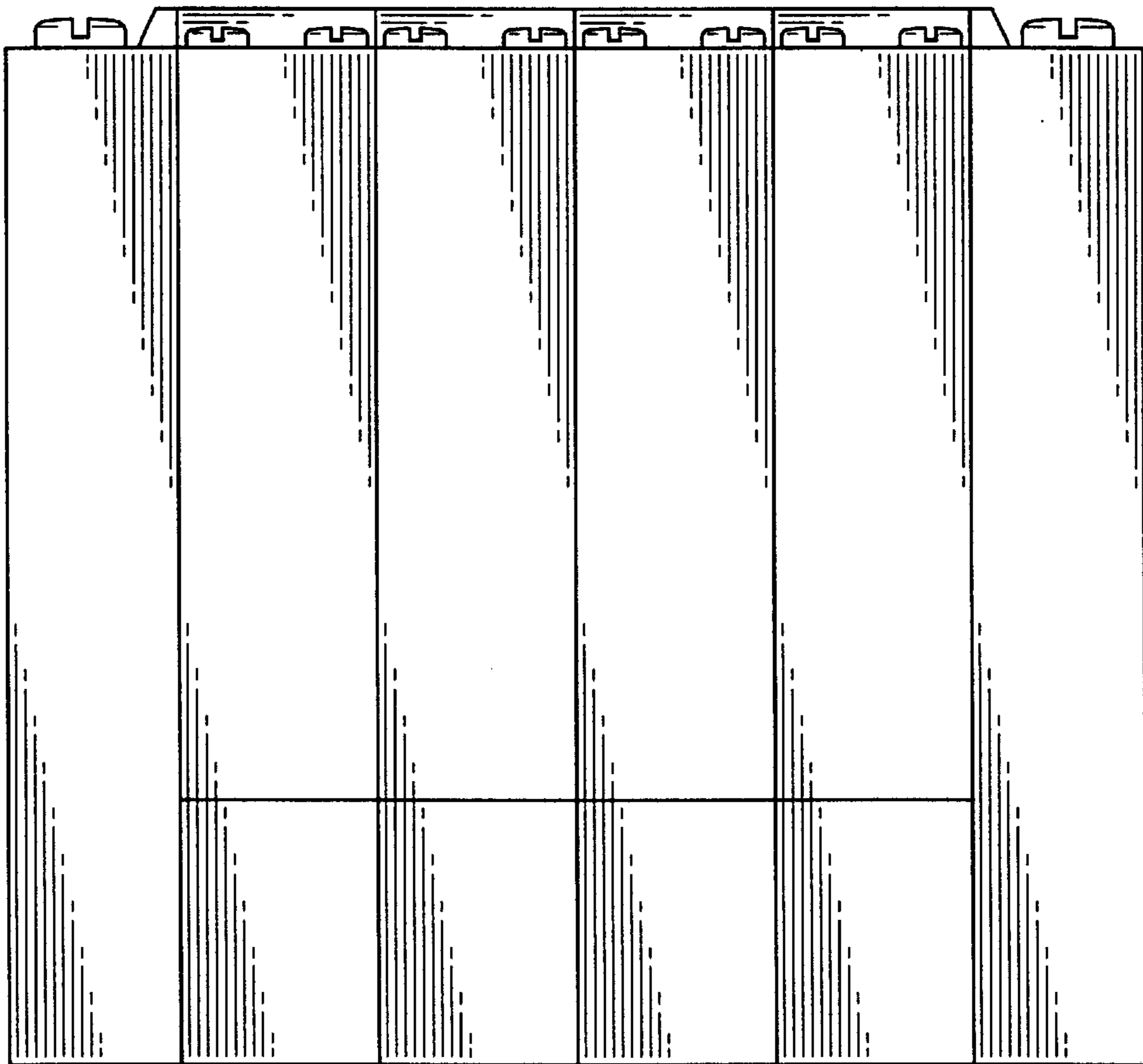


FIG. 5

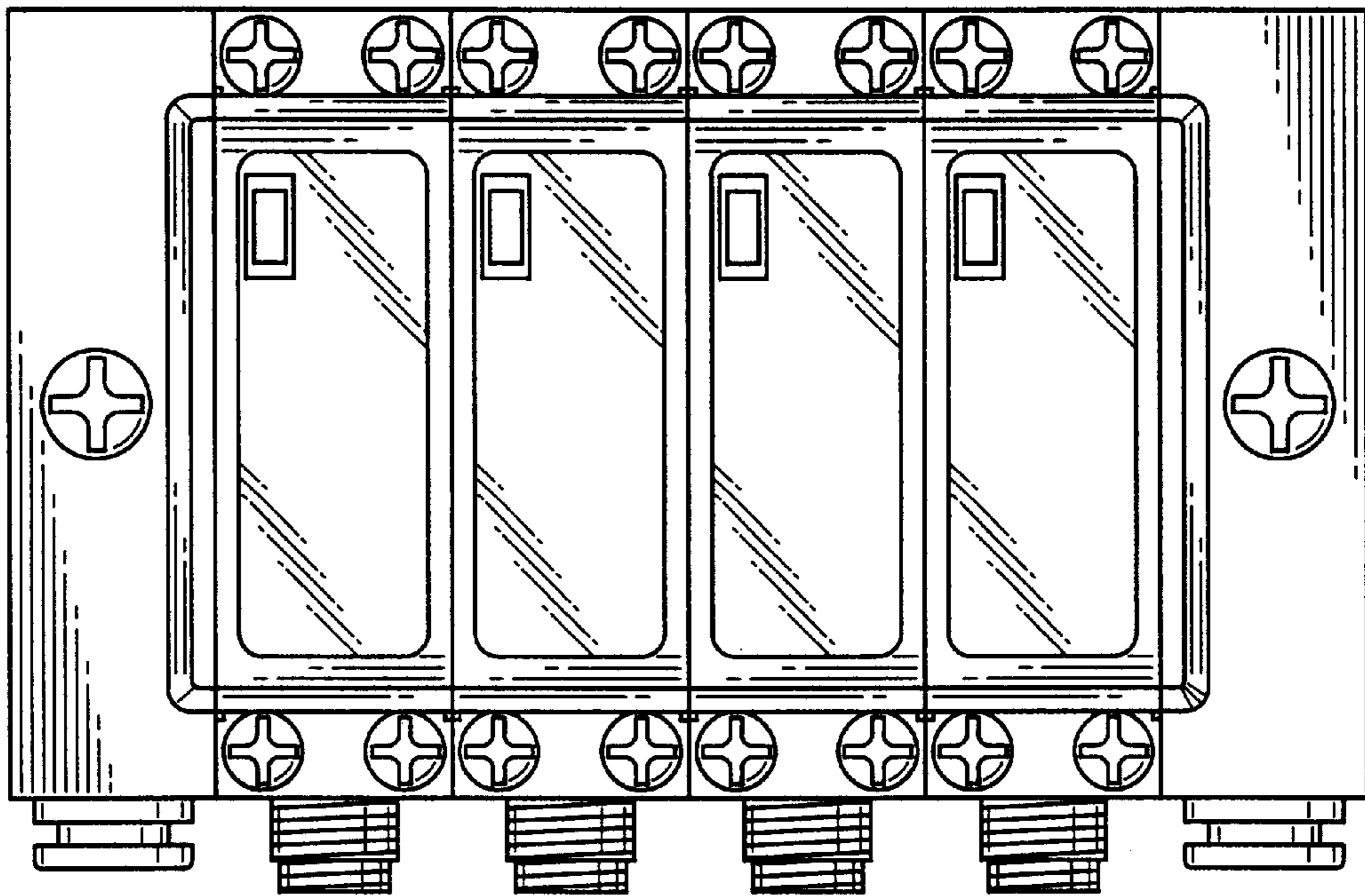


FIG. 6

