



US00D445045S

(12) **United States Design Patent**
Olson

(10) **Patent No.:** **US D445,045 S**

(45) **Date of Patent:** **** Jul. 17, 2001**

(54) **CHALKLINE HOLDER**

(75) Inventor: **R. Brian Olson**, Naperville, IL (US)

(73) Assignee: **Keson Industries, Inc.**, Naperville, IL (US)

(**) Term: **14 Years**

(21) Appl. No.: **29/128,095**

(22) Filed: **Aug. 10, 2000**

(51) **LOC (7) Cl.** **10-04**

(52) **U.S. Cl.** **D10/72**

(58) **Field of Search** D10/72; 33/414,
33/756, 763, 755, 757, 769, 413, 767, 770,
768; 24/122.3

(56) **References Cited**

U.S. PATENT DOCUMENTS

D. 209,774	*	1/1968	Fedorak	D10/72
D. 334,717	*	4/1993	Evans, Jr. et al.	D10/72
D. 418,072	*	12/1999	Calello	D10/72
6,098,299	*	8/2000	Collins et al.	33/414

* cited by examiner

Primary Examiner—Antoine Duval Davis
(74) *Attorney, Agent, or Firm*—Wood, Phillips, VanSanten, Clark & Mortimer

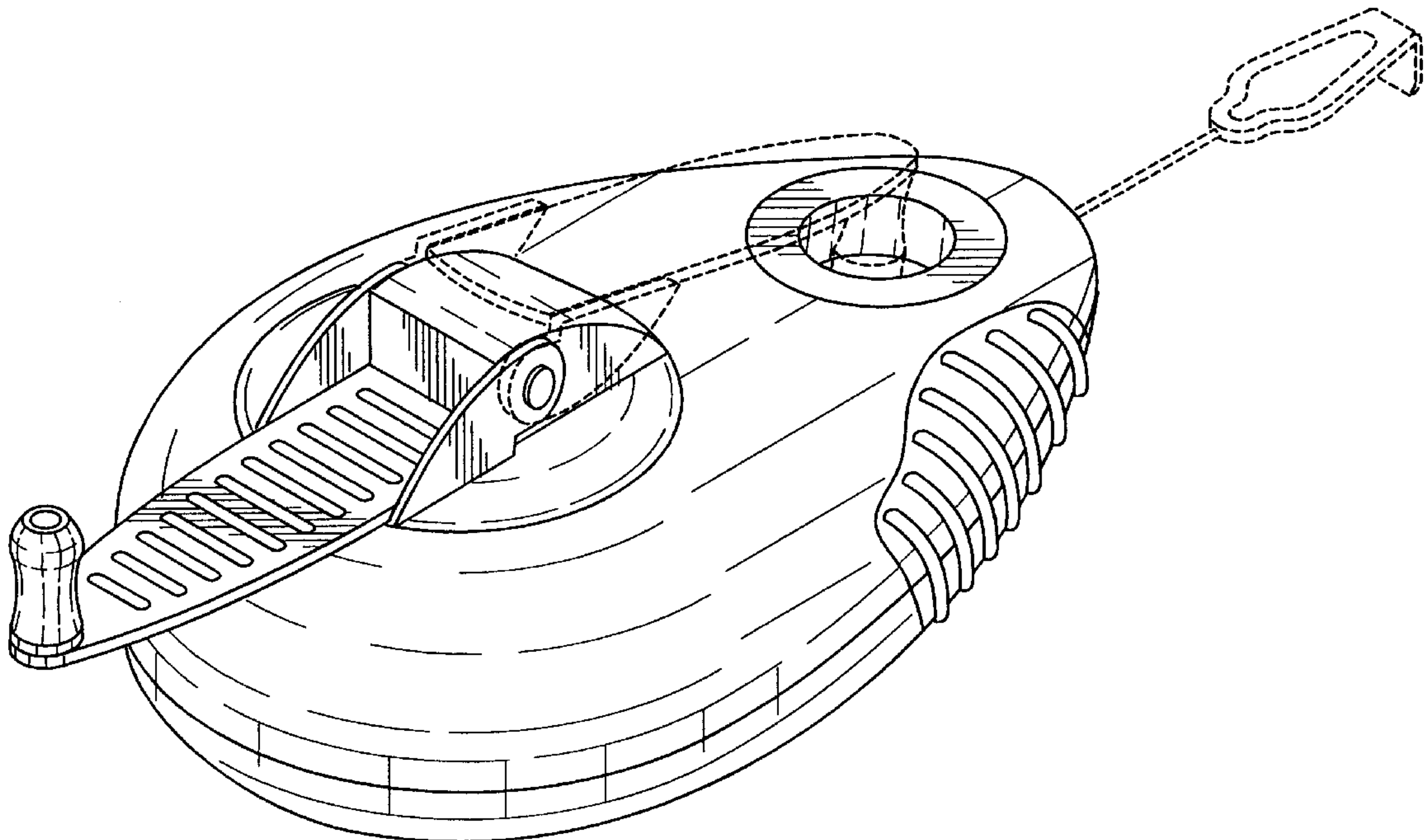
(57) **CLAIM**

The ornamental design for a chalkline holder, as shown and described.

DESCRIPTION

FIG. 1 is an end, front, and side perspective view of my design for a chalkline holder;
FIG. 2 is a front elevation view thereof;
FIG. 3 is a rear elevation view thereof;
FIG. 4 is an elevation view thereof from the same side as in FIG. 1;
FIG. 5 is an elevation view thereof from the side opposite that in FIG. 1;
FIG. 6 is an elevation view thereof from the same end as in FIG. 1; and,
FIG. 7 is an elevation view thereof from the end opposite that in FIG. 6.
The portions of the chalkline holder shown in dotted lines do not constitute a part of the claimed design.

1 Claim, 4 Drawing Sheets



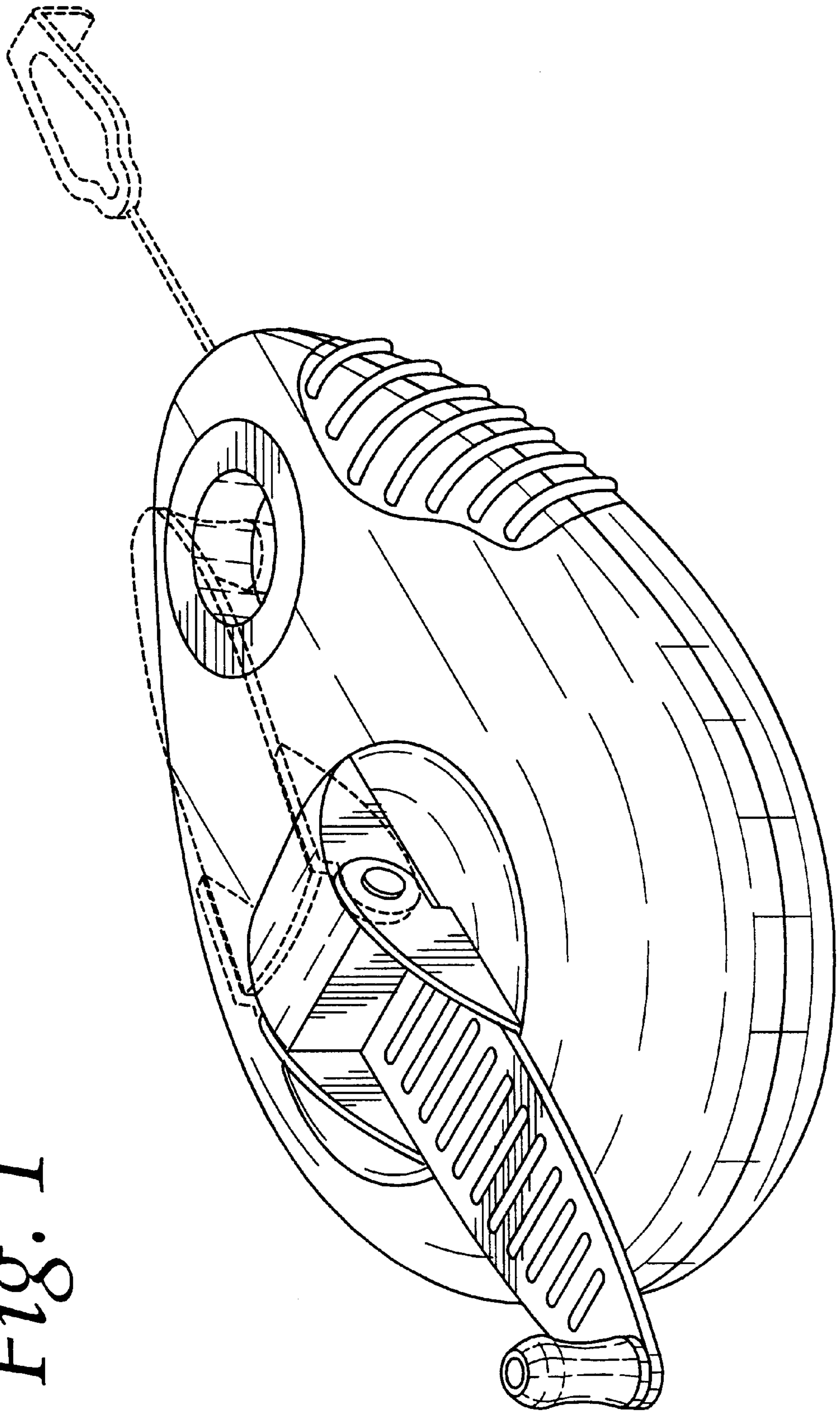


Fig. 1

Fig. 2

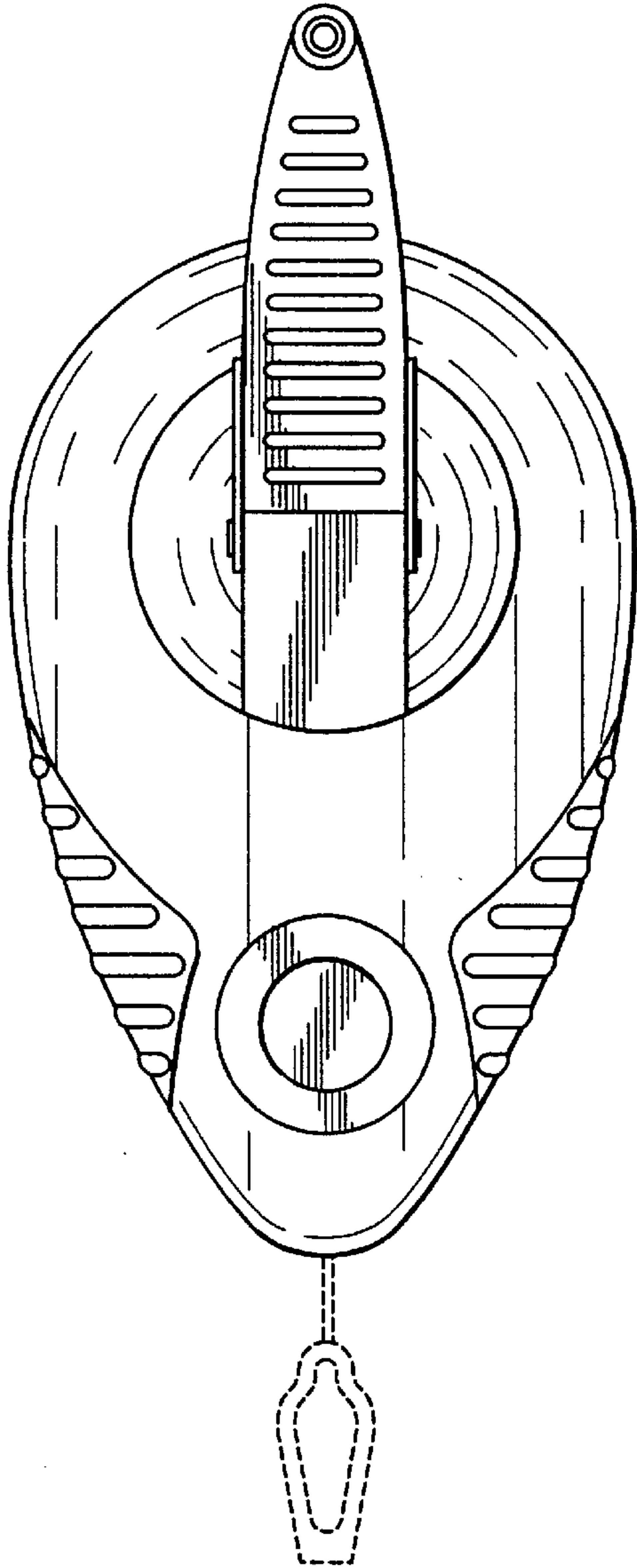


Fig. 3

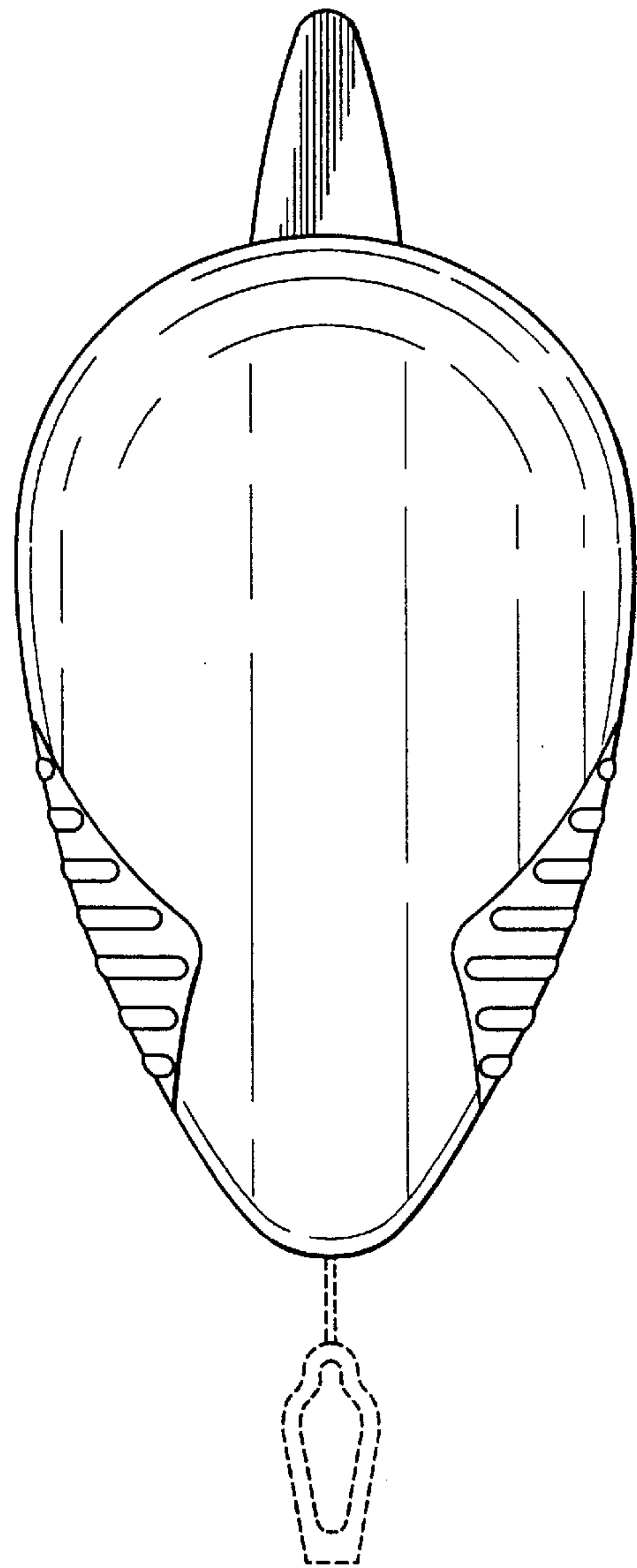


Fig. 4

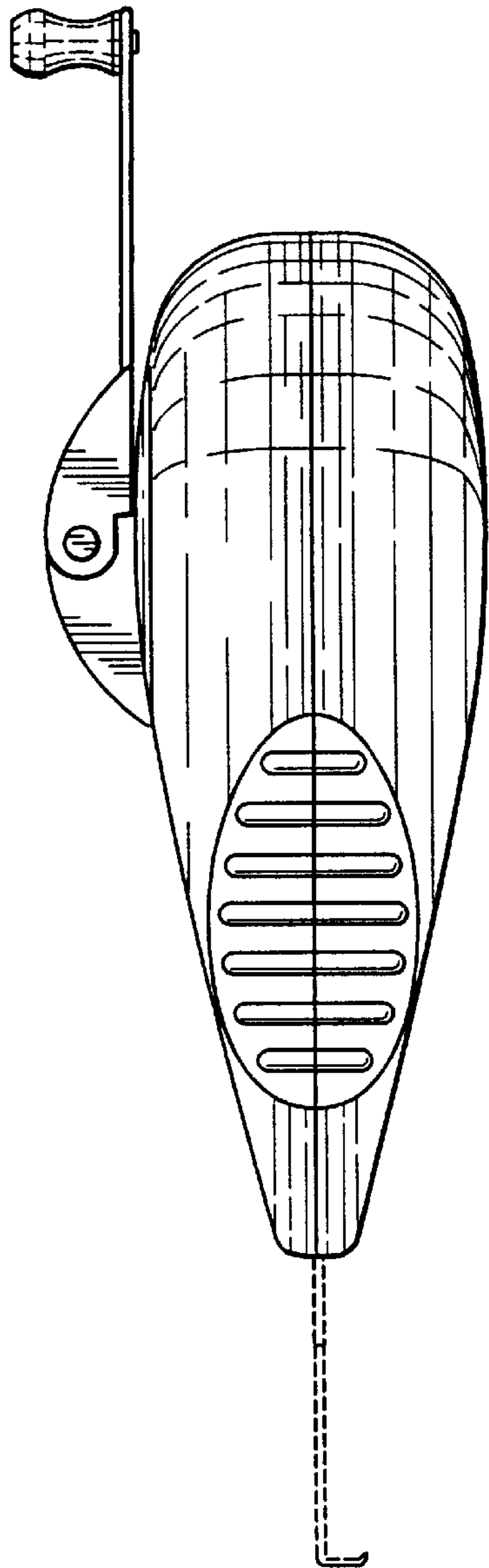


Fig. 5

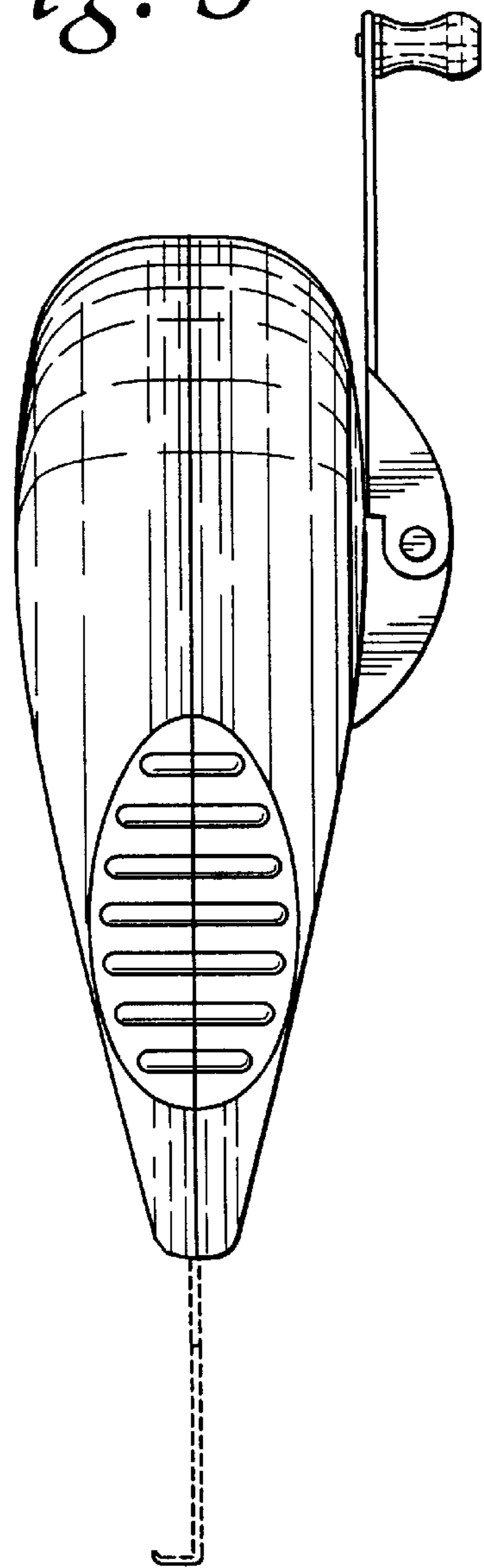


Fig. 6

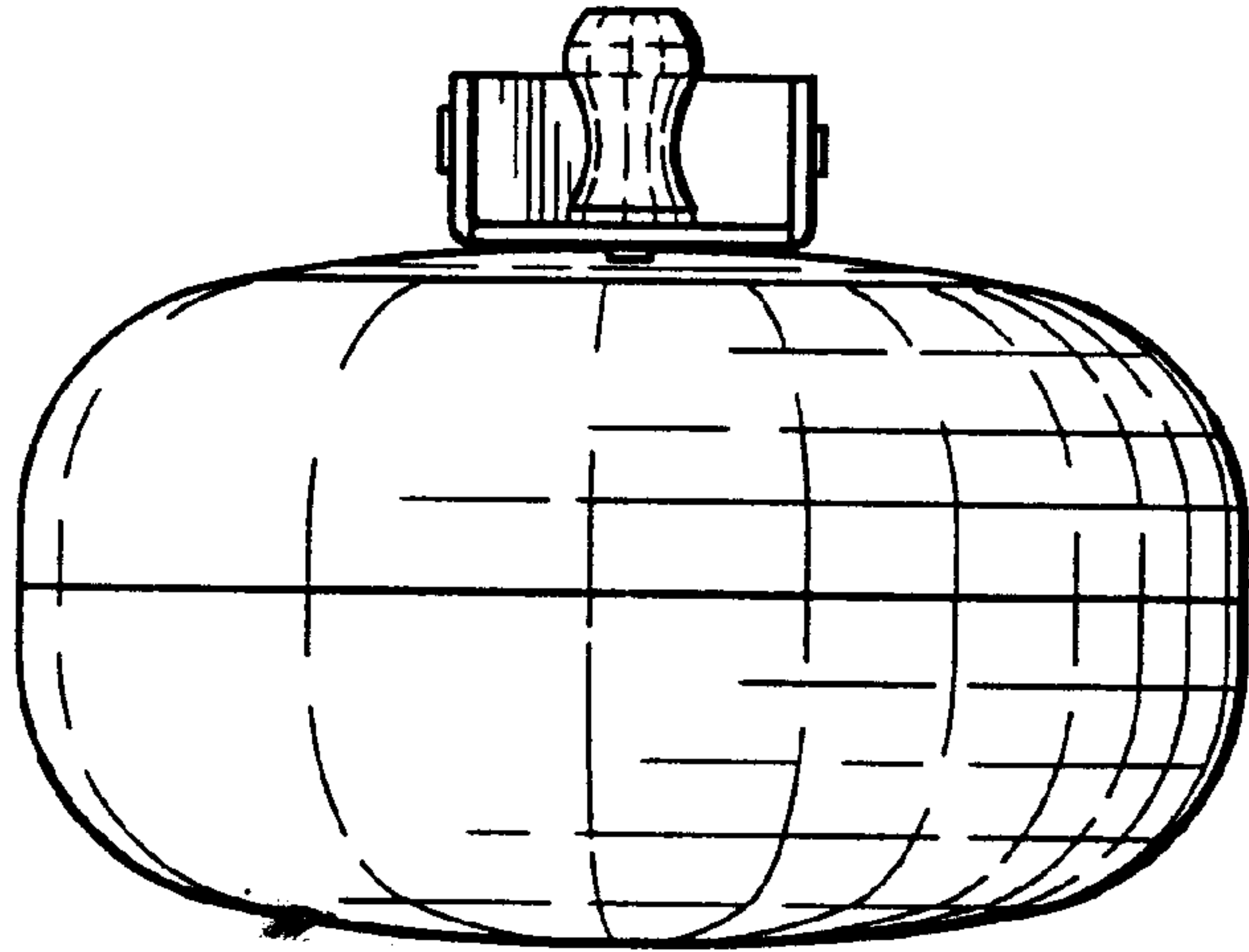


Fig. 7

