



US00D445043S

(12) **United States Design Patent**
Bendinelli

(10) **Patent No.:** **US D445,043 S**

(45) **Date of Patent:** **** Jul. 17, 2001**

(54) **CHART PLOTTER**

(75) Inventor: **Valter Bendinelli**, Lucca (IT)

(73) Assignee: **Navionics S.p.A.**, Viareggio (IT)

(**) Term: **14 Years**

(21) Appl. No.: **29/129,555**

(22) Filed: **Sep. 18, 2000**

(30) **Foreign Application Priority Data**

Jun. 15, 2000 (XH) DM/052263

(51) **LOC (7) Cl.** **10-04**

(52) **U.S. Cl.** **D10/65**

(58) **Field of Search** D10/65, 75; D14/100,
D14/104, 106, 107; 248/918-924; 345/104,
133, 156, 168, 173, 87, 901-905; 348/180,
184, 325, 739; 364/444, 499; 342/419,
457, 357

(56) **References Cited**

U.S. PATENT DOCUMENTS

- D. 390,137 * 2/1998 Nishimura et al. D10/65
- D. 397,046 * 8/1998 Oshizawa D10/65
- D. 414,471 * 9/1999 Poole et al. D14/100
- D. 422,924 4/2000 Bendinelli D10/65

* cited by examiner

Primary Examiner—Antoine Duval Davis

(74) *Attorney, Agent, or Firm*—Browdy and Neimark

(57) **CLAIM**

The ornamental design for a chart plotter, as shown and described.

DESCRIPTION

FIG. 1 is top perspective view of a first variation of a chart plotter in accordance with the present design;
 FIG. 2 is a front side elevation view thereof;
 FIG. 3 is a rear side elevation view thereof;
 FIG. 4 is a top plan view thereof;
 FIG. 5 is a bottom plan view thereof;
 FIG. 6 is a left side elevation view thereof;
 FIG. 7 is a right side elevation view thereof;
 FIG. 8 is a top perspective view of a second variation of a chart plotter in accordance with the present design;
 FIG. 9 is a front side elevation view thereof;
 FIG. 10 is a rear side elevation view thereof;
 FIG. 11 is a top plan view thereof.
 FIG. 12 is a bottom plan view thereof;
 FIG. 13 is a left side elevation view thereof; and,
 FIG. 14 is a right side elevation view thereof.

1 Claim, 7 Drawing Sheets



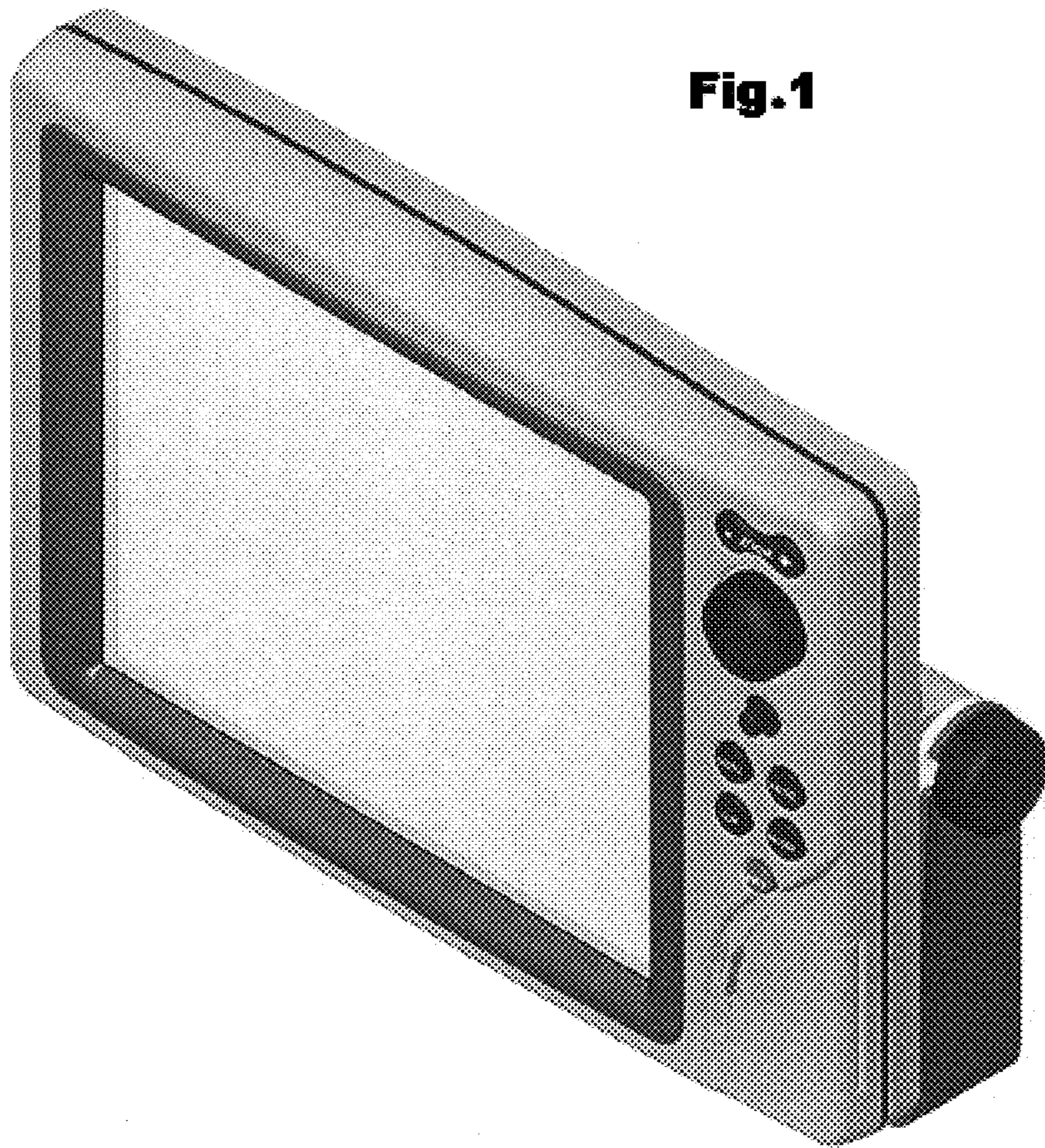


Fig. 1

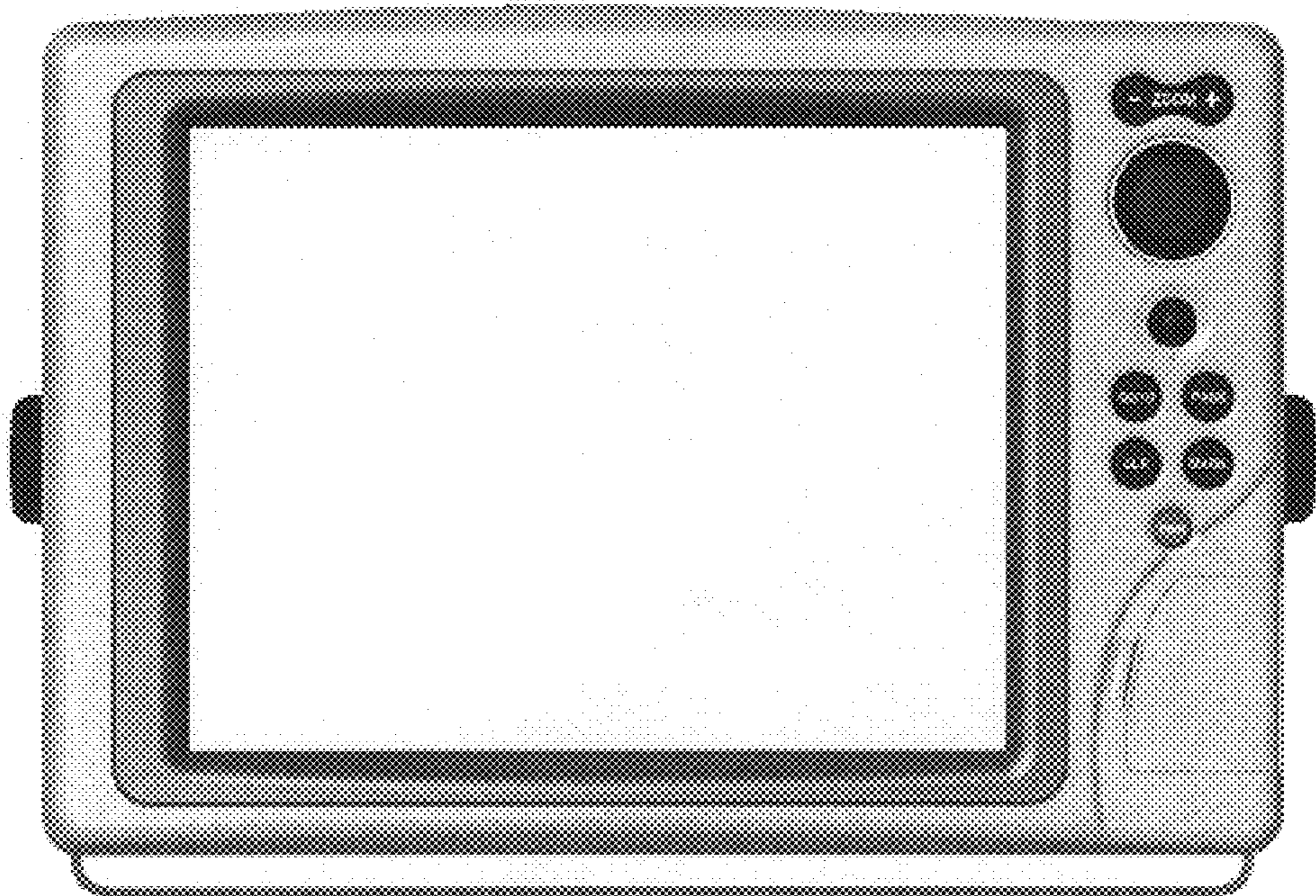


Fig. 2

Fig.3

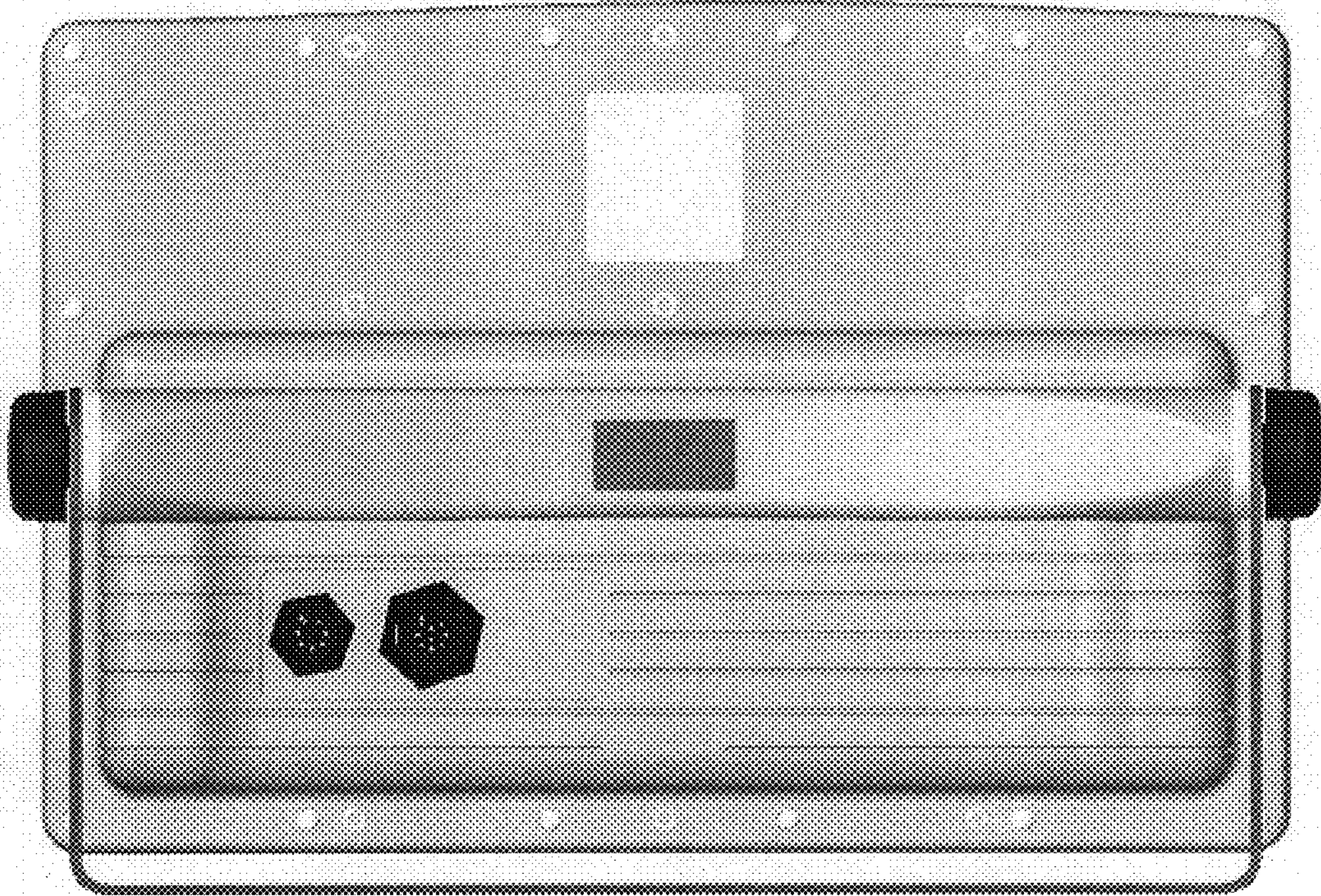


Fig.4

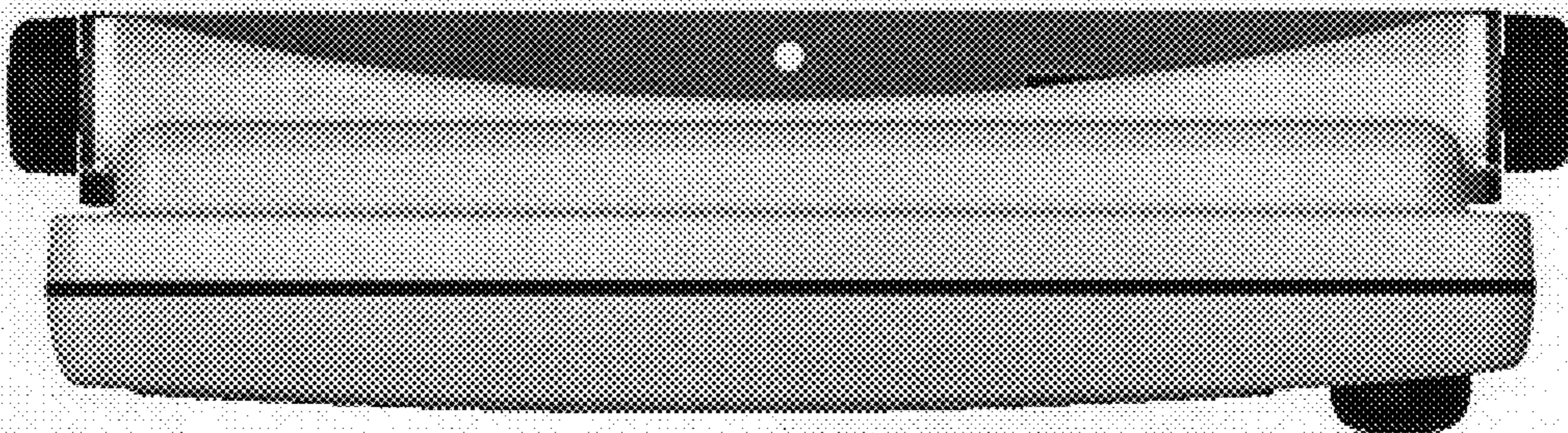


Fig. 5

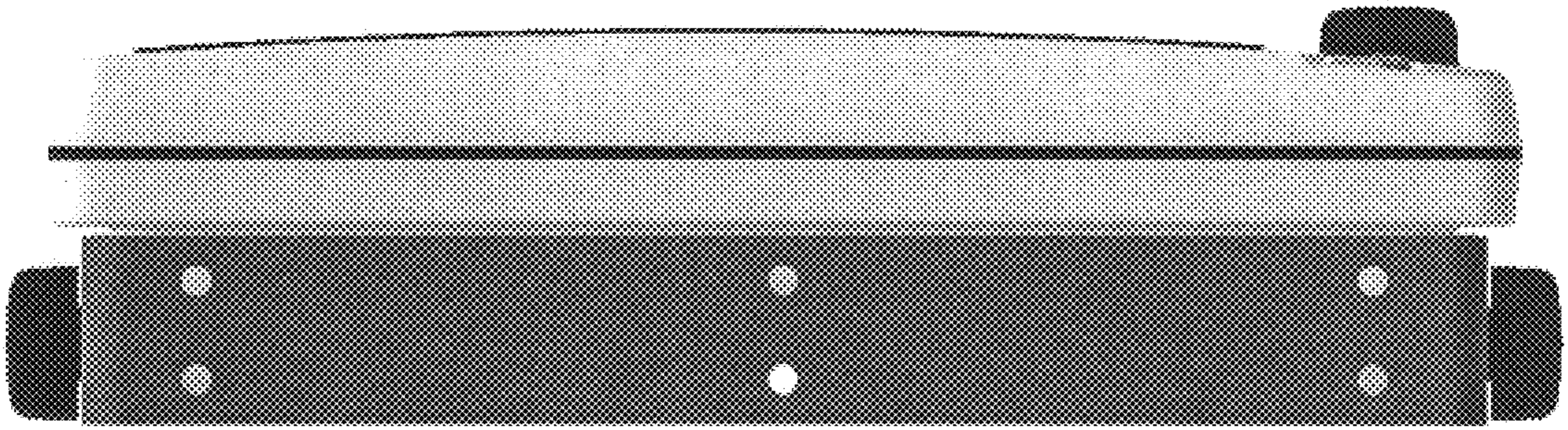


Fig. 6

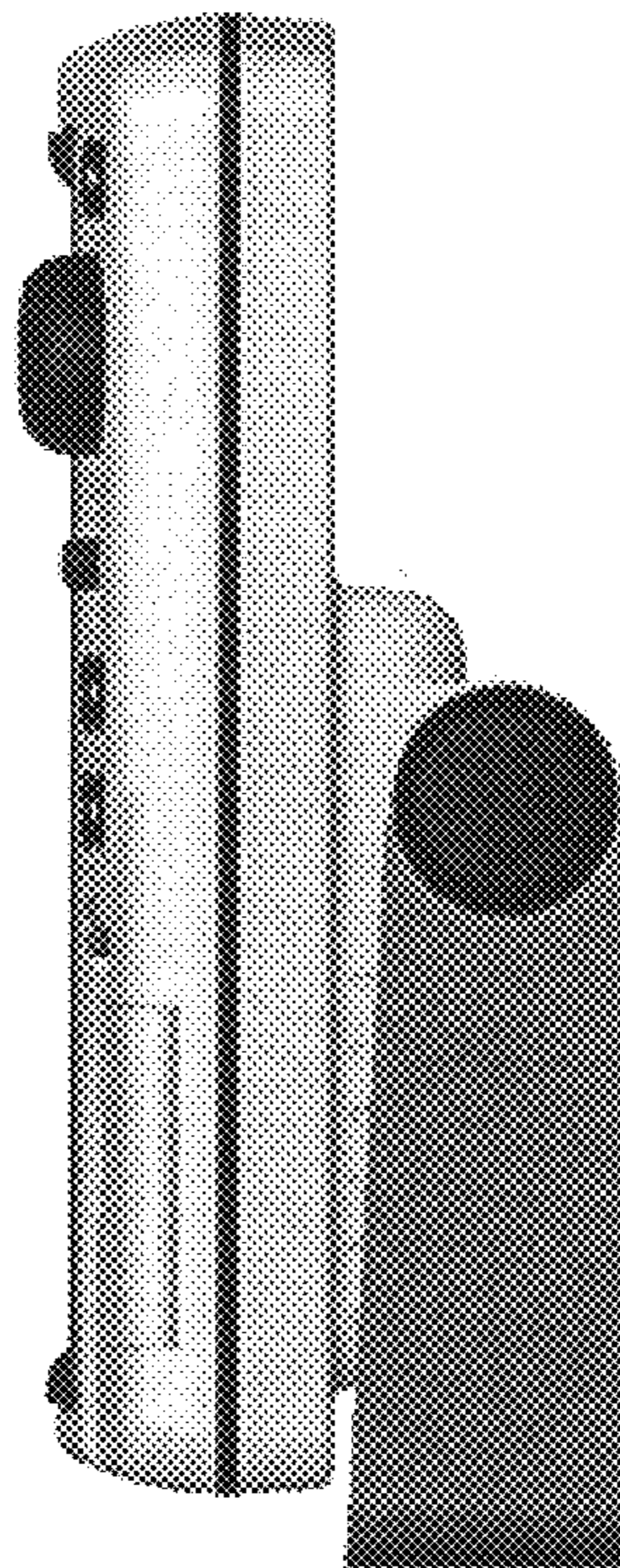


Fig. 7

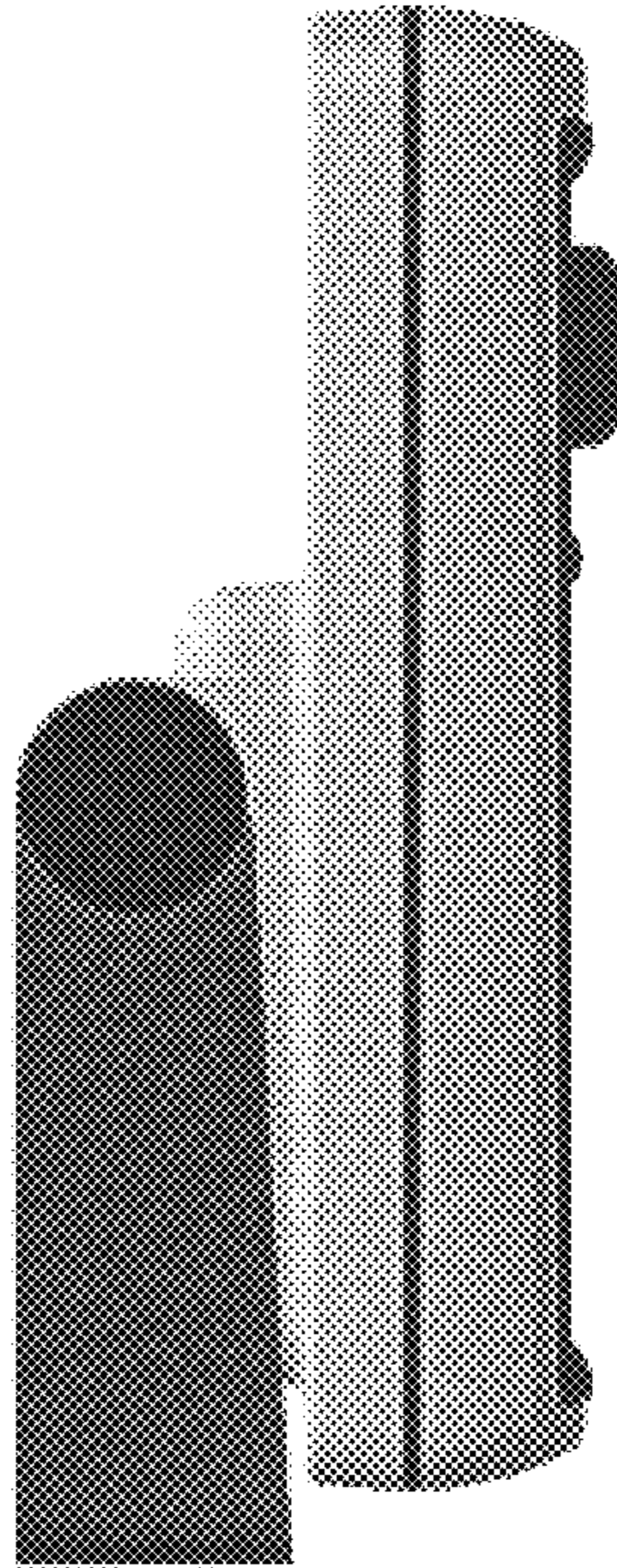


Fig. 8

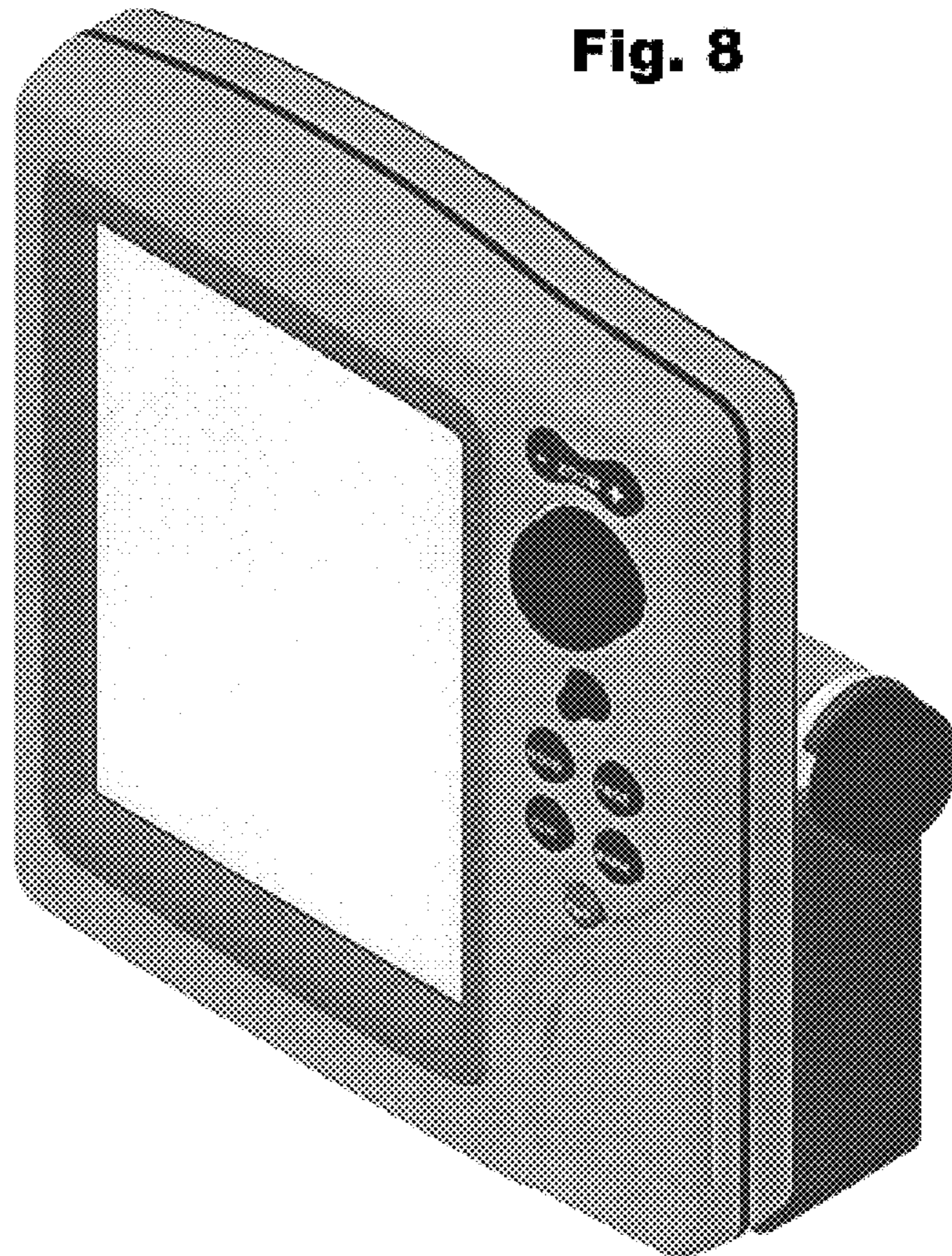


Fig. 9



Fig. 10

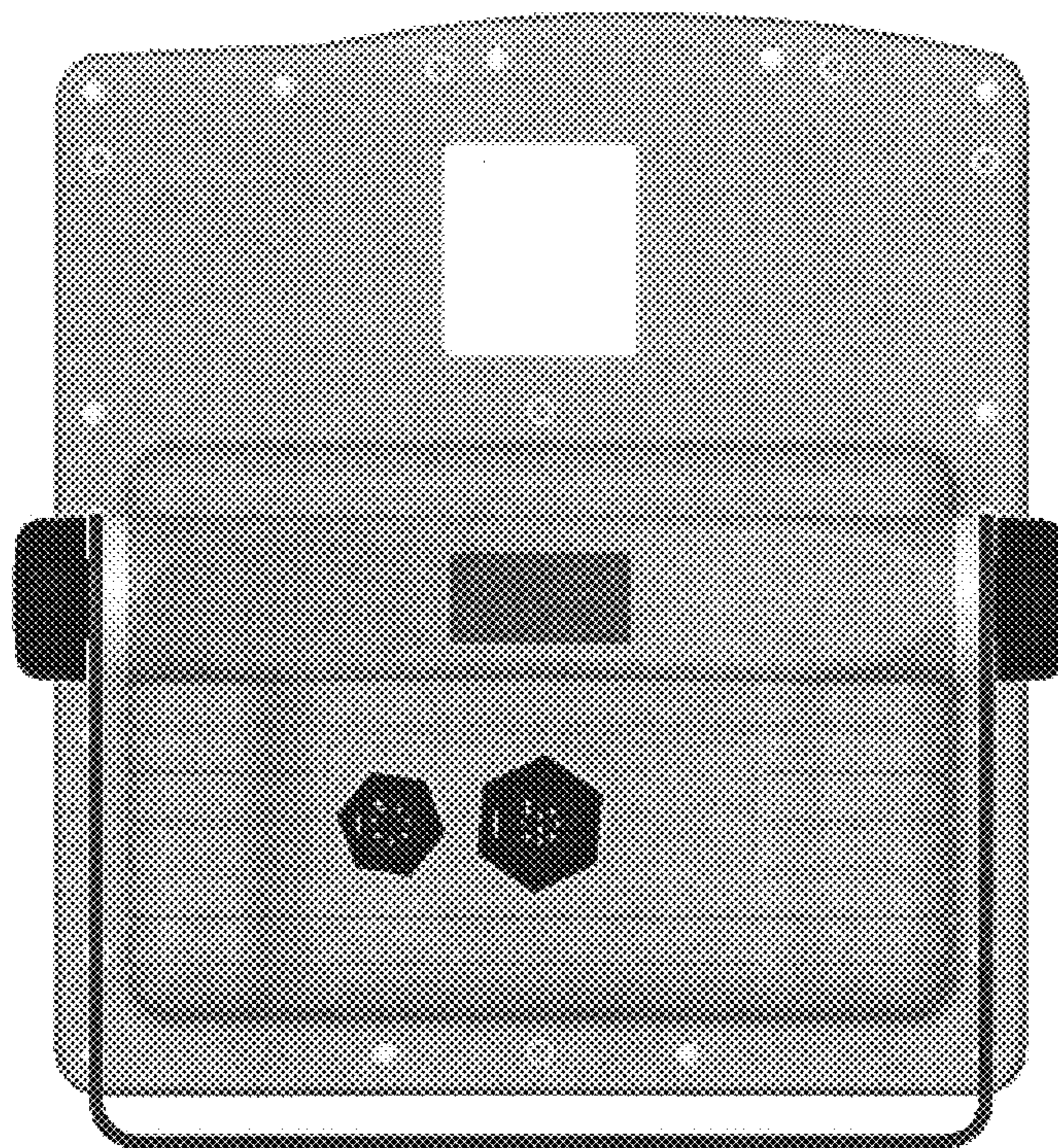


Fig. 11

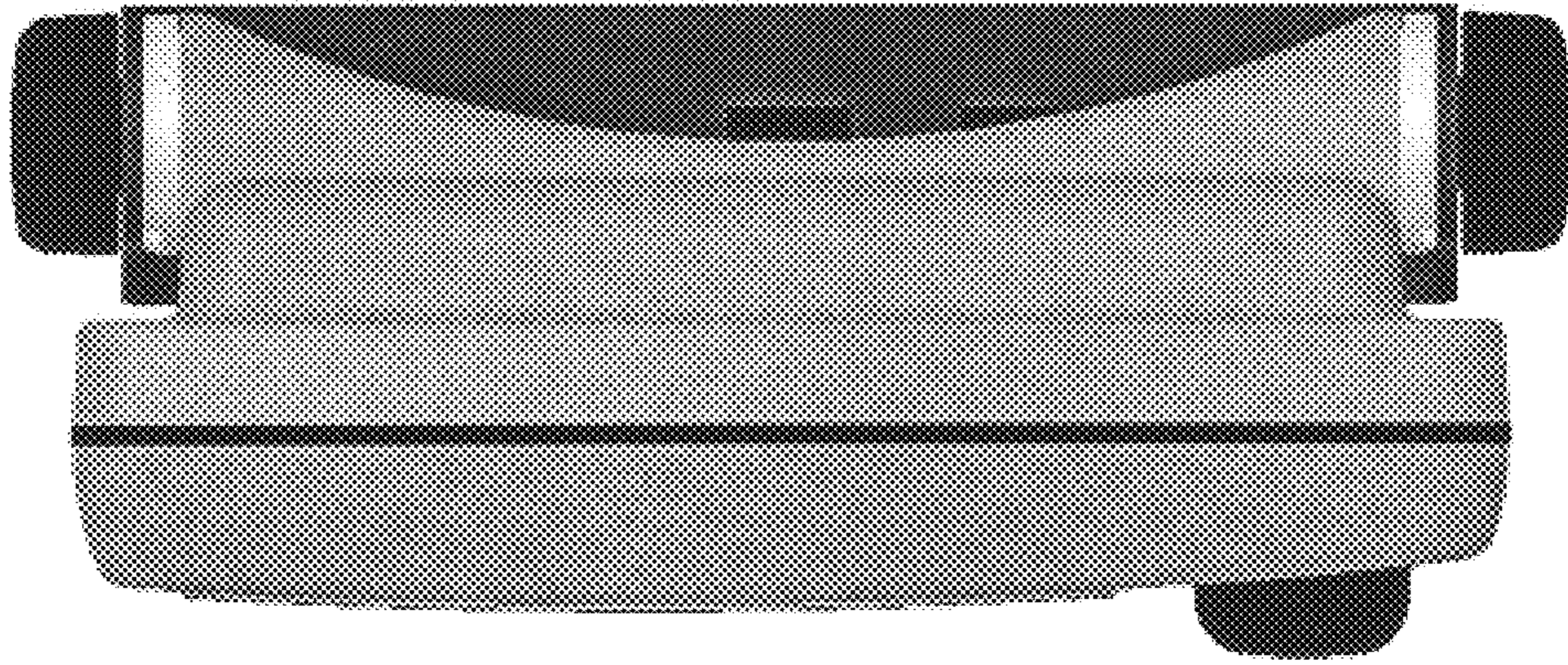
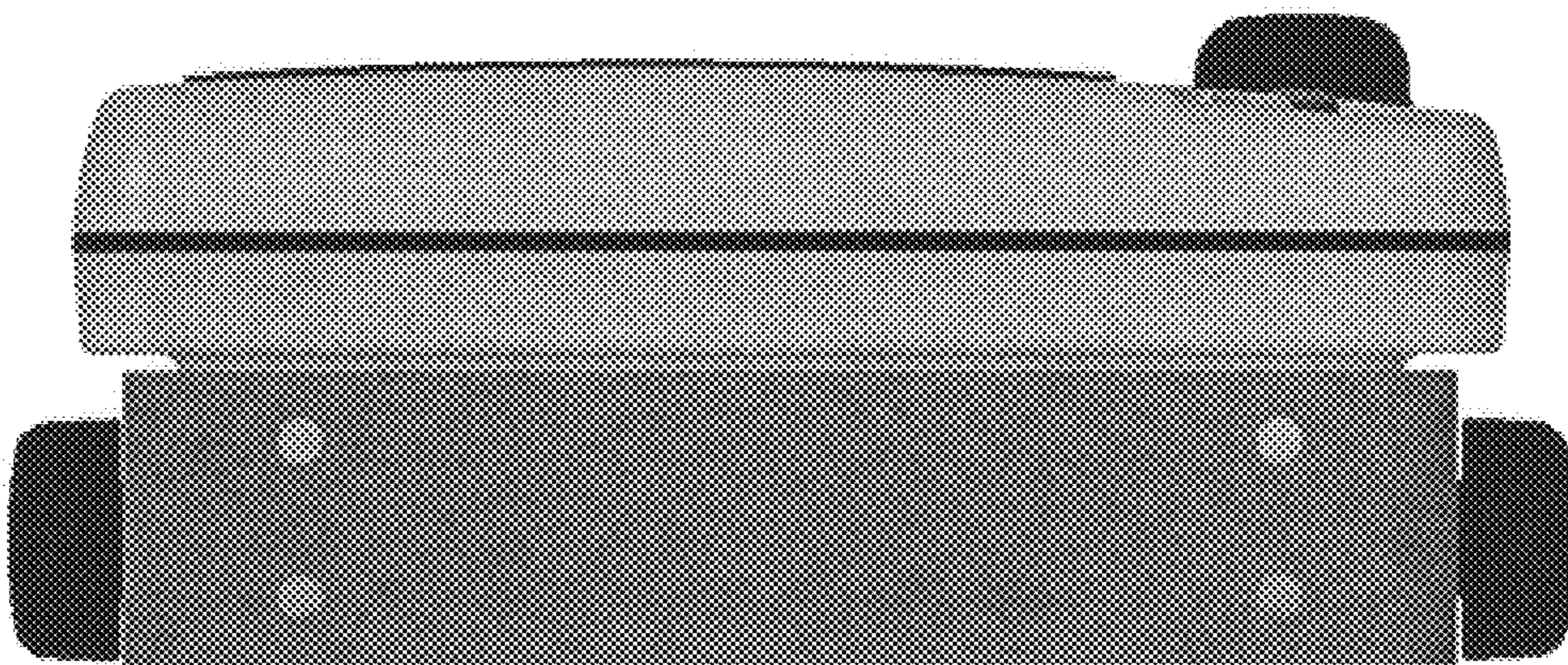


Fig. 12



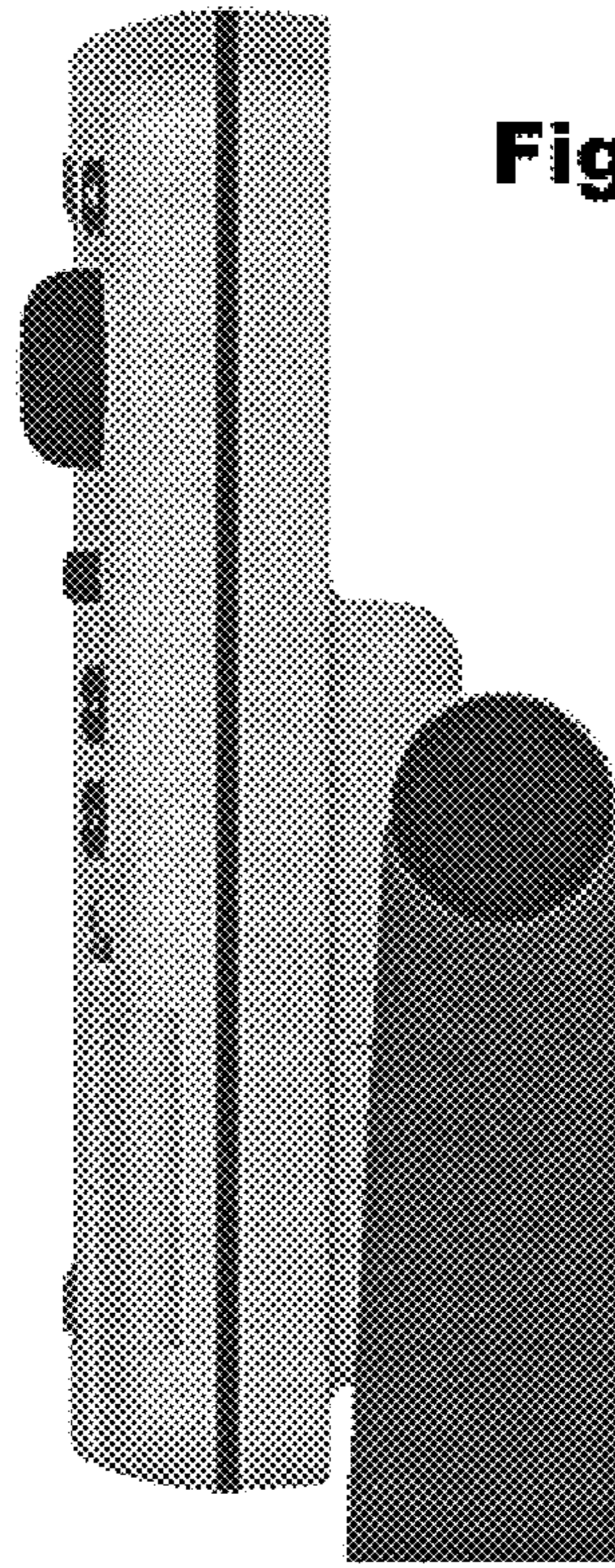


Fig. 13

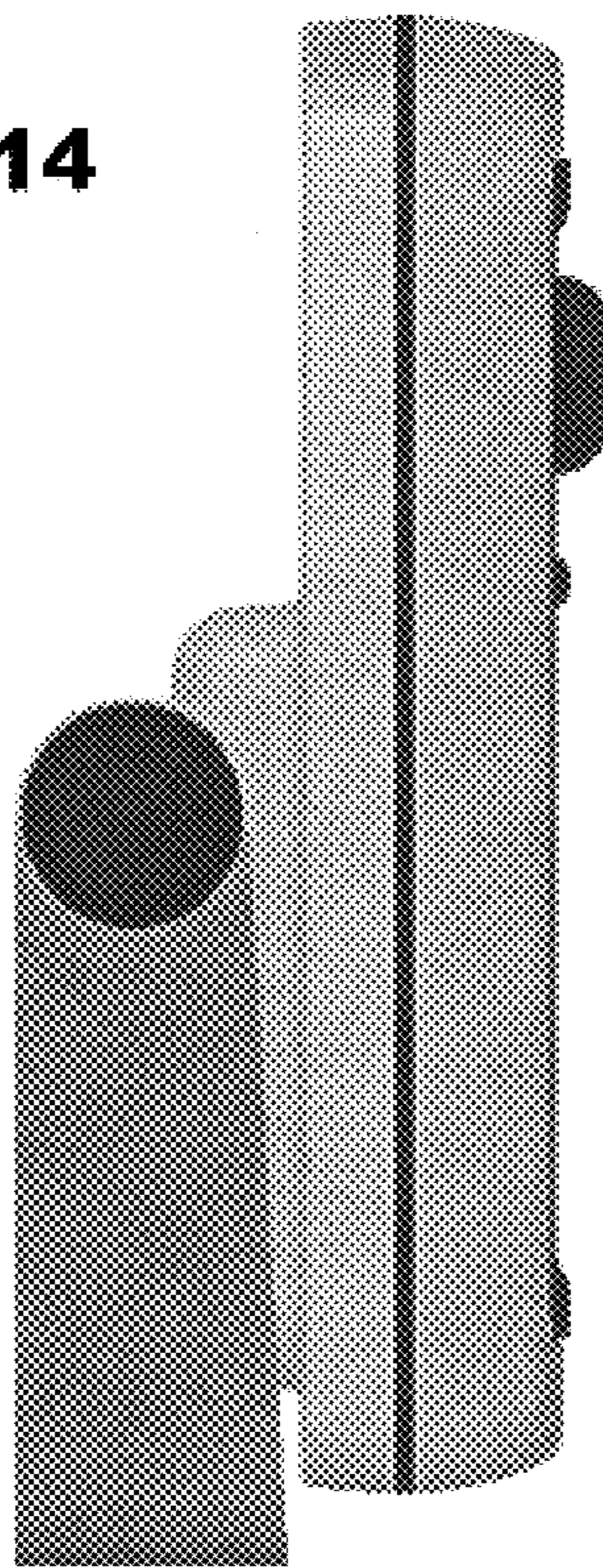


Fig. 14