



US00D445038S

(12) **United States Design Patent**
Subilia

(10) **Patent No.:** **US D445,038 S**

(45) **Date of Patent:** **** Jul. 17, 2001**

(54) **WATCH-CASE**

(75) **Inventor:** **Philippe Subilia, Lausanne (CH)**

(73) **Assignee:** **Ideo Tempo S.A., Lausanne (CH)**

(**) **Term:** **14 Years**

(21) **Appl. No.:** **29/126,562**

(22) **Filed:** **Jul. 19, 2000**

(30) **Foreign Application Priority Data**

Jun. 15, 2000 (XH) 161628101

(51) **LOC (7) Cl.** **10-02**

(52) **U.S. Cl.** **D10/30**

(58) **Field of Search** D10/30-39, 122-132;
368/281-282, 276-277, 285

(56) **References Cited**

U.S. PATENT DOCUMENTS

- D. 286,755 * 11/1986 Manfredi D10/39
- D. 353,340 * 12/1994 Burgener D10/32

- D. 400,802 * 11/1998 Galli D10/30
- D. 434,672 * 12/2000 Berliat D10/30
- 2,852,908 * 9/1958 Stern D10/39 X

* cited by examiner

Primary Examiner—Nelson C. Holtje

(74) *Attorney, Agent, or Firm*—Eric Bleich; Marguerite Del Valle

(57) **CLAIM**

I claim the ornamental design for the watch-case, as shown and described.

DESCRIPTION

FIG. 1 is a front plan view of the new ornamental watch-case of the present invention.

FIG. 2 is a back plan view thereof.

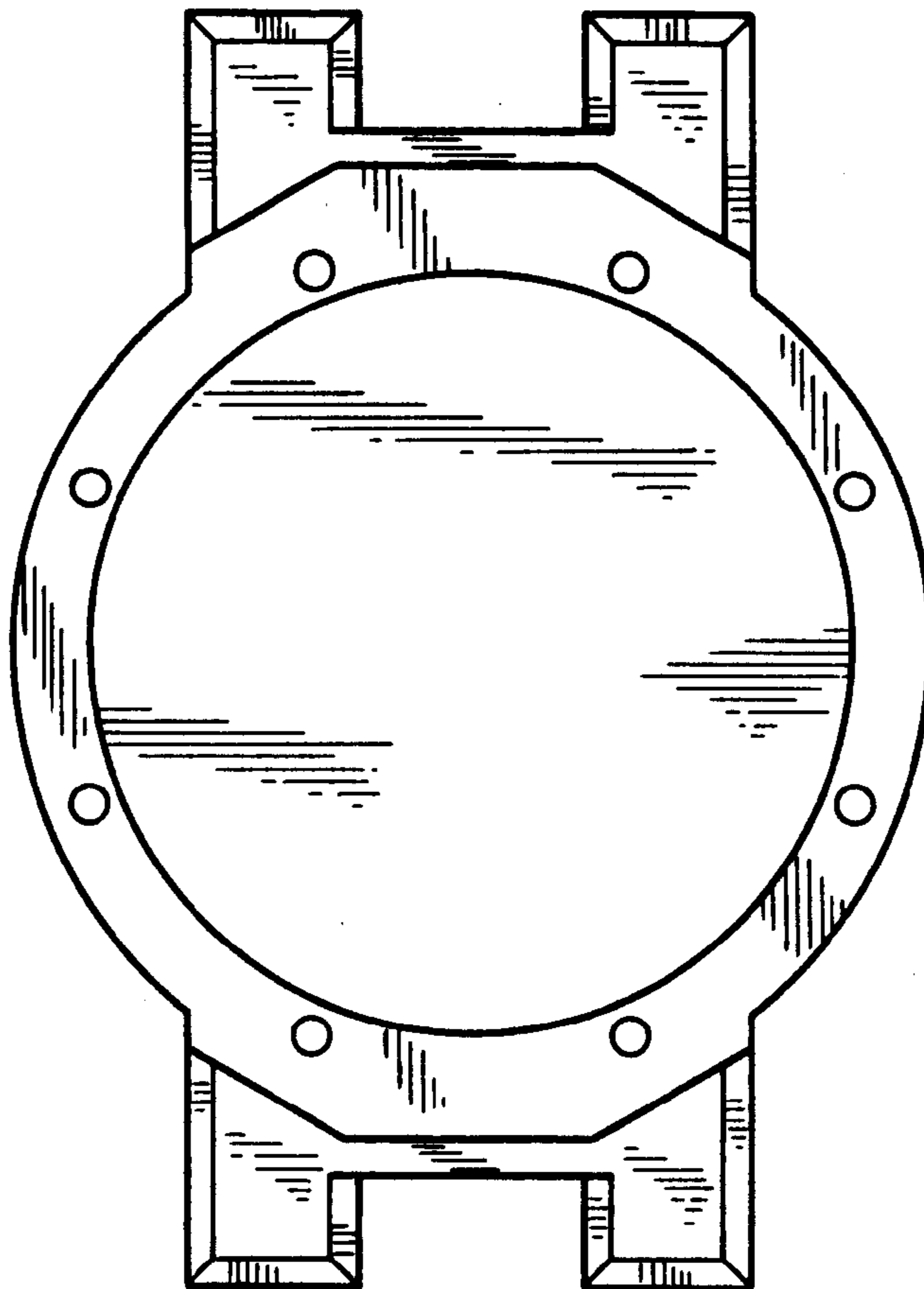
FIG. 3 is a top view thereof.

FIG. 4 is a bottom view thereof.

FIG. 5 is a right side view thereof; and,

FIG. 6 is a left side view thereof.

1 Claim, 2 Drawing Sheets



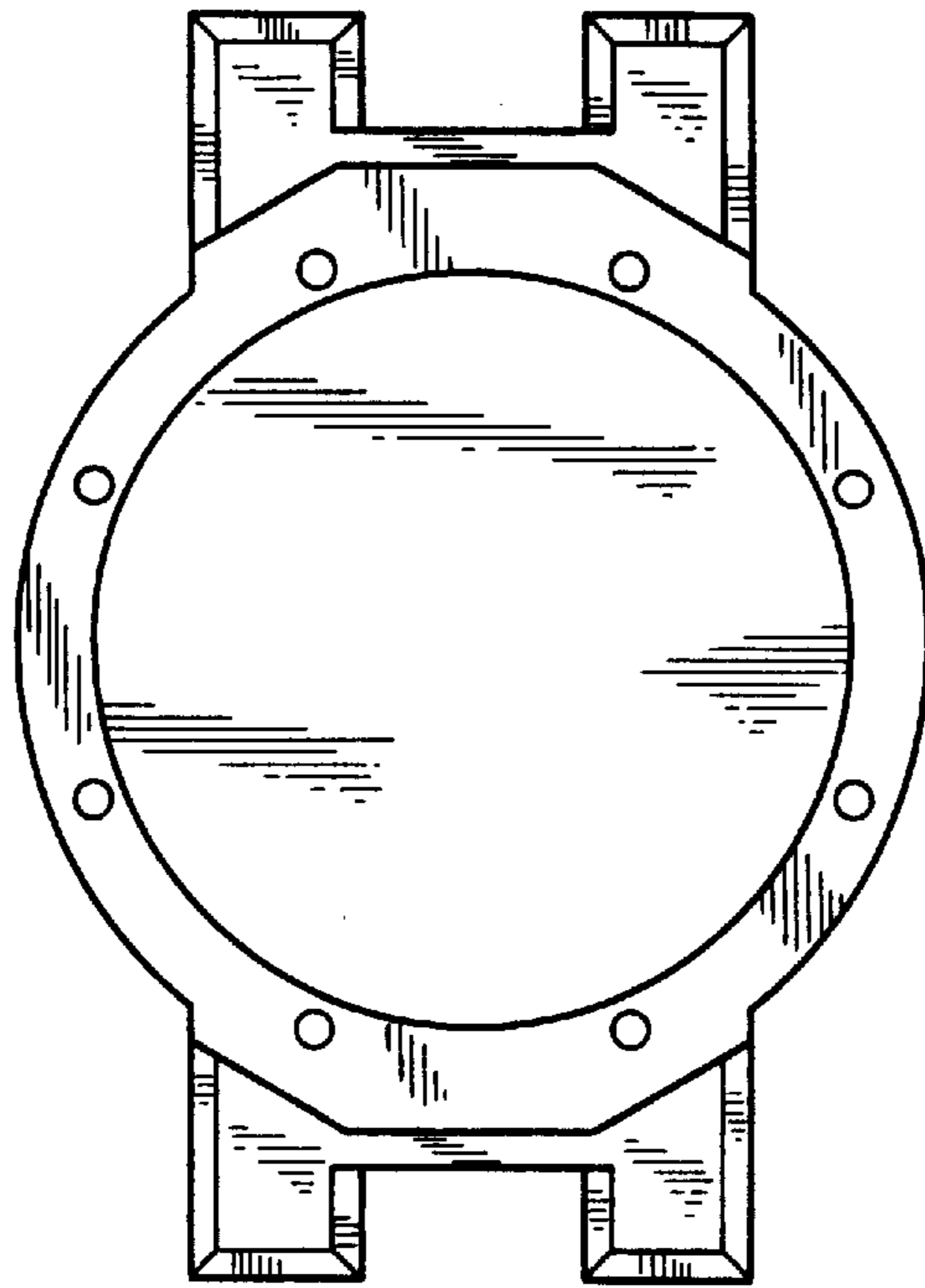


FIG. 1

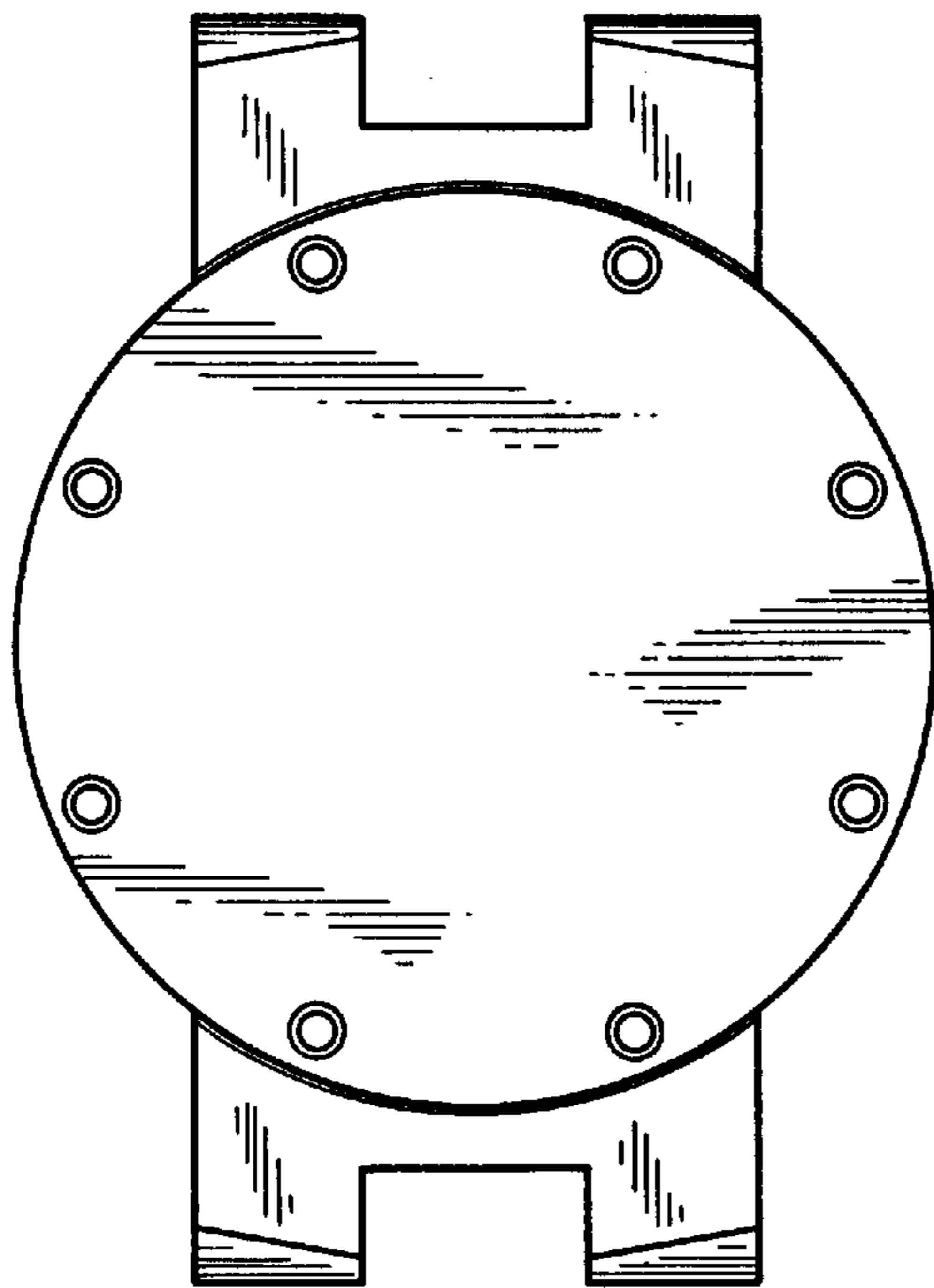


FIG. 2

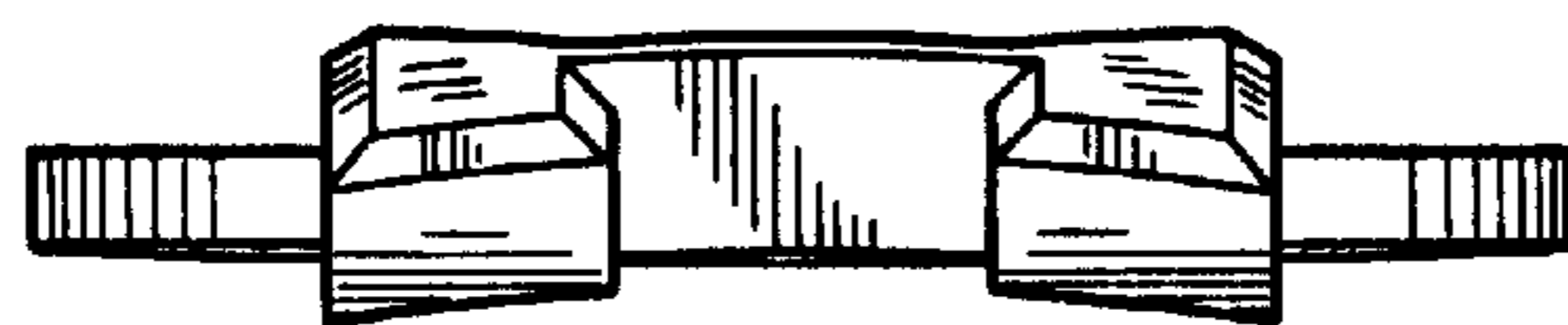


FIG. 3

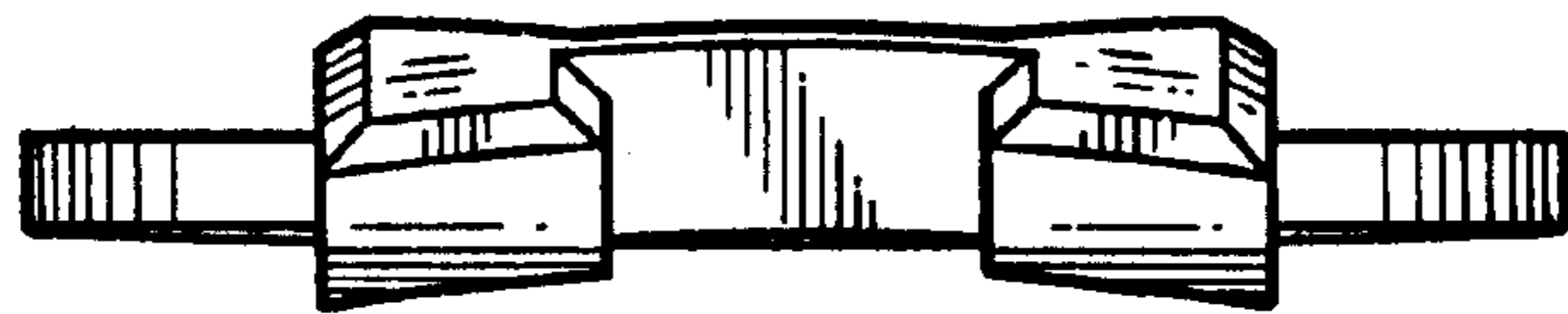


FIG. 4

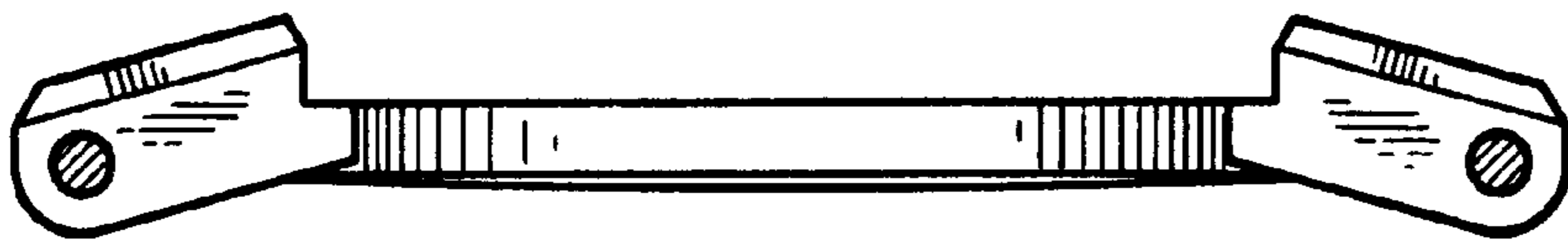


FIG. 5

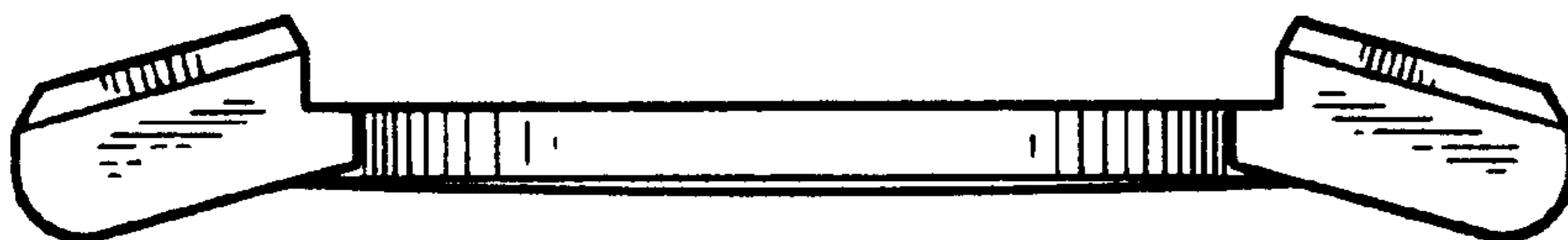


FIG. 6