



US00D445033S

(12) **United States Design Patent**
Bretz et al.

(10) **Patent No.: US D445,033 S**

(45) **Date of Patent: ** Jul. 17, 2001**

(54) **BOTTLE**

(75) Inventors: **John M. Bretz**, Crystal Lake, IL (US);
Suppayan M. Krishnakumar, Nashua;
Dave Piccioli, Auburn, both of NH
(US)

(73) Assignee: **Stokely-Van Camp, Inc.**, Chicago, IL
(US)

(**) Term: **14 Years**

(21) Appl. No.: **29/041,939**

(22) Filed: **Jul. 27, 1995**

(51) **LOC (7) Cl. 09-01**

(52) **U.S. Cl. D9/520; D9/538; D9/553;**
D9/554; D9/556

(58) **Field of Search D9/520, 550, 553,**
D9/554, 556, 557, 559, 537-540, 500, 503;
215/382, 383, 384, 372, 373

(56) **References Cited**

U.S. PATENT DOCUMENTS

D. 188,074	5/1960	Wunderly	D58/8
D. 234,292	2/1975	Plummer	D9/119
D. 240,018	5/1976	Reynolds	D9/119
D. 241,714	10/1976	Plummer	D9/119
D. 292,269	10/1987	Jacobs et al.	D9/349
D. 293,890	1/1988	Rogler	D9/390
D. 294,462	3/1988	Ota et al.	D9/392
D. 294,463	3/1988	Lang	D9/392
D. 294,678	3/1988	Papa	D9/392
D. 295,381	4/1988	Papa	D9/392
D. 300,805	4/1989	Rogier et al.	D9/390
D. 313,750	1/1991	York et al.	D9/394
D. 315,869	4/1991	Collette	D9/392
D. 320,154	9/1991	Alberghini et al.	D9/370
D. 321,830	* 11/1991	York et al.	D9/553 X
D. 345,693	* 4/1994	Edstrom	D9/559 X
D. 348,606	7/1994	Edstrom	D9/332
D. 352,245	* 11/1994	Krishnakumar et al.	D9/553 X
D. 366,417	1/1996	Semersky	D9/434

D. 391,160	2/1998	Lauth	D9/502
D. 391,168	2/1998	Ogg	D9/538
D. 393,802	4/1998	Collette et al.	D9/502

(List continued on next page.)

FOREIGN PATENT DOCUMENTS

1009146 1/1989 (JP) .

OTHER PUBLICATIONS

Gatorade 24 oz. Stretch sport bottle; Author: Stokely-Van Camp, Inc.; Date: Jul. 1996.

Packaging, Oct. 1987, p. 12, "Gatorade" bottle.*

Primary Examiner—Lucy Lieberman

Assistant Examiner—Carol Rademaker

(74) *Attorney, Agent, or Firm*—Lars S. Johnson

(57) **CLAIM**

We claim the ornamental design for a bottle, as shown and described.

DESCRIPTION

FIG. 1 is a front elevation of a bottle showing our new design, the rear elevation is the same;

FIG. 2 is a right side elevation of FIG. 1, the left side elevation is the same;

FIG. 3 is a fragmentary sectional view of the bottle depicted in FIG. 1 taken along line 3—3 of FIG. 1;

FIG. 4 is a top view of the bottle depicted in FIG. 1;

FIG. 5 is a bottom view of the bottle depicted in FIG. 1;

FIG. 6 is a front elevation of a second embodiment of the bottle, the rear elevation is the same;

FIG. 7 is a right side elevation of FIG. 6, the left side elevation is the same;

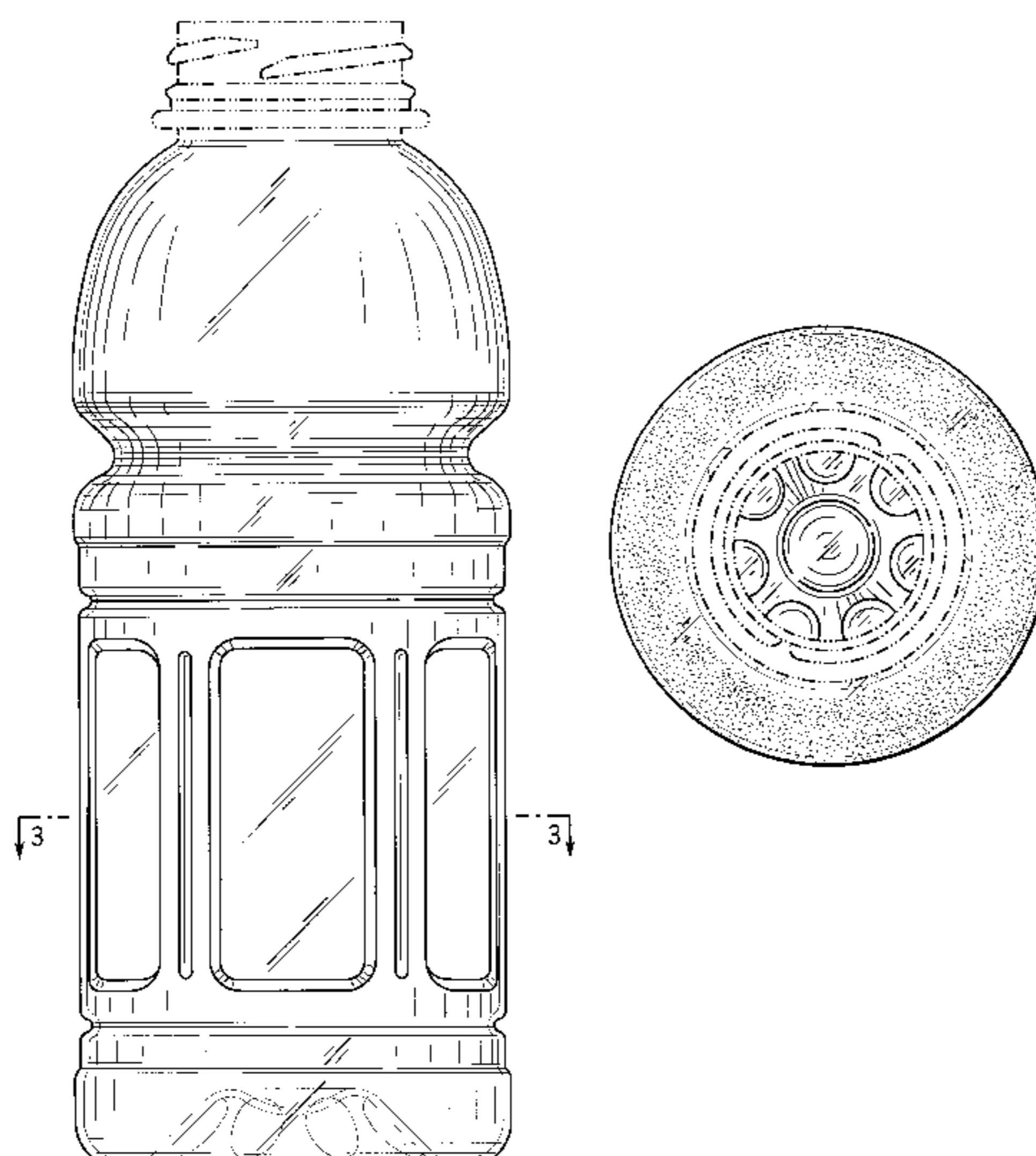
FIG. 8 is a top view of the bottle depicted in FIG. 6;

FIG. 9 is a fragmentary sectional view of the bottle depicted in FIG. 6 taken along line 9—9 of FIG. 6; and,

FIG. 10 is a bottom view of the bottle depicted in FIG. 6.

The broken line environmental showing is for illustrative purposes only and does not form part of the claimed design.

1 Claim, 6 Drawing Sheets



US D445,033 S

Page 2

U.S. PATENT DOCUMENTS

D. 396,807	8/1998	Lauth	D9/503	5,141,120	8/1992	Brown et al.	215/1 C
D. 397,614	9/1998	Krishnakumar et al.	D9/520	5,141,121	8/1992	Brown et al.	215/1 C
D. 397,941	9/1998	Lauth	D9/502	5,178,289 *	1/1993	Krishnakumar et al.	215/382
D. 404,306	1/1999	Steinke	D9/502	5,178,290	1/1993	Ota et al.	215/1 C
4,749,092	6/1988	Sugiura et al.	215/1 C	5,255,889 *	10/1993	Collette et al.	D9/553 X
4,805,788	2/1989	Akiho	215/1 C	5,303,833	4/1994	Hayashi et al.	215/1 C
4,863,046	9/1989	Collette et al.	215/1 C	5,303,834 *	4/1994	Krishnakumar et al.	215/383 X
4,877,141	10/1989	Hayashi et al.	215/1 C	5,337,909 *	8/1994	Vaillencourt	215/383
4,907,709 *	3/1990	Abe et al.	D9/553 X	5,472,105	12/1995	Krishnakumar et al.	215/384
5,005,716	4/1991	Eberle	215/1 C	5,704,503	1/1998	Krishnakumar et al.	215/381K
5,064,081	11/1991	Hayashi et al.	215/1 C				

* cited by examiner

FIG. 1

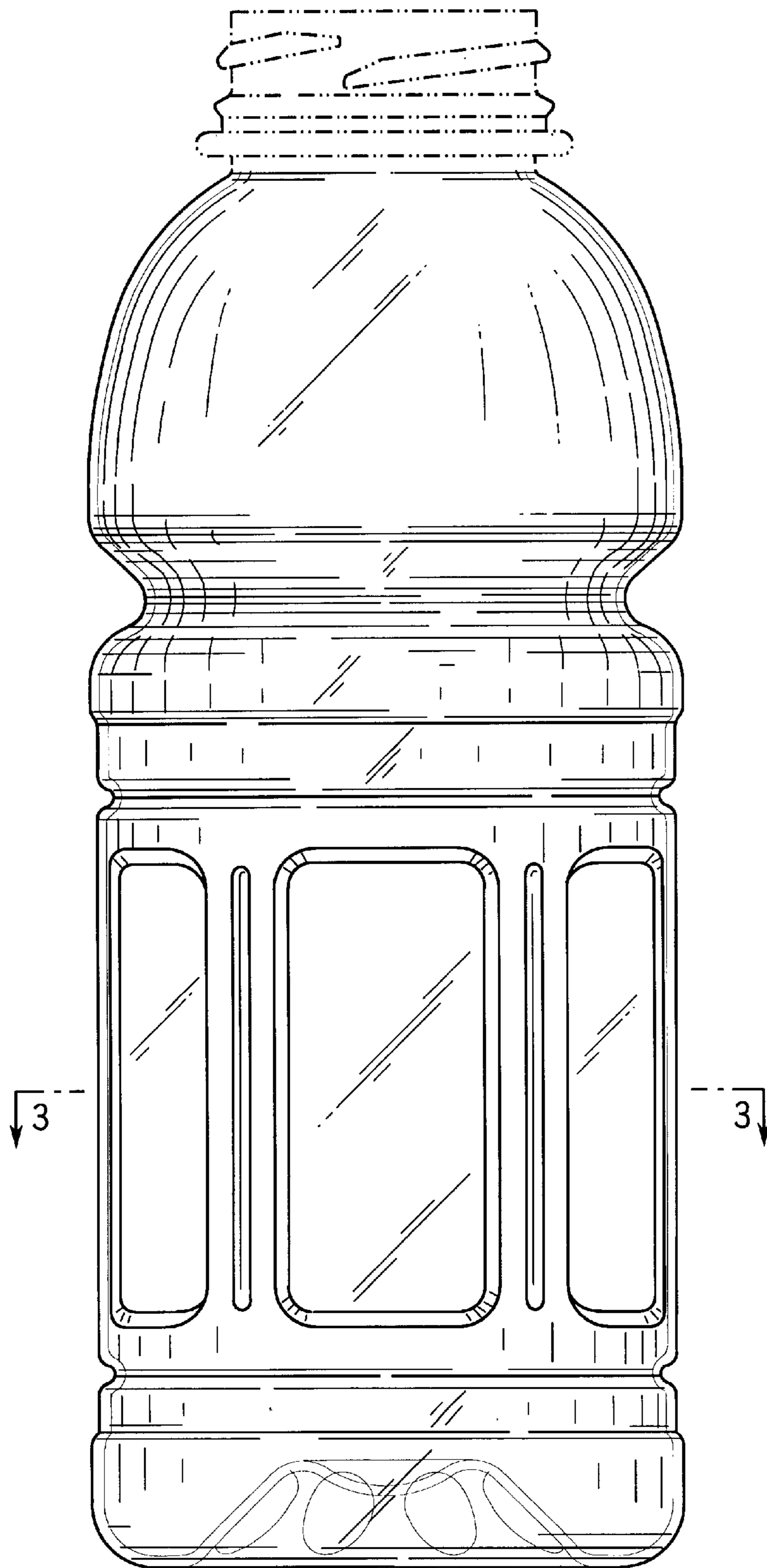


FIG. 2

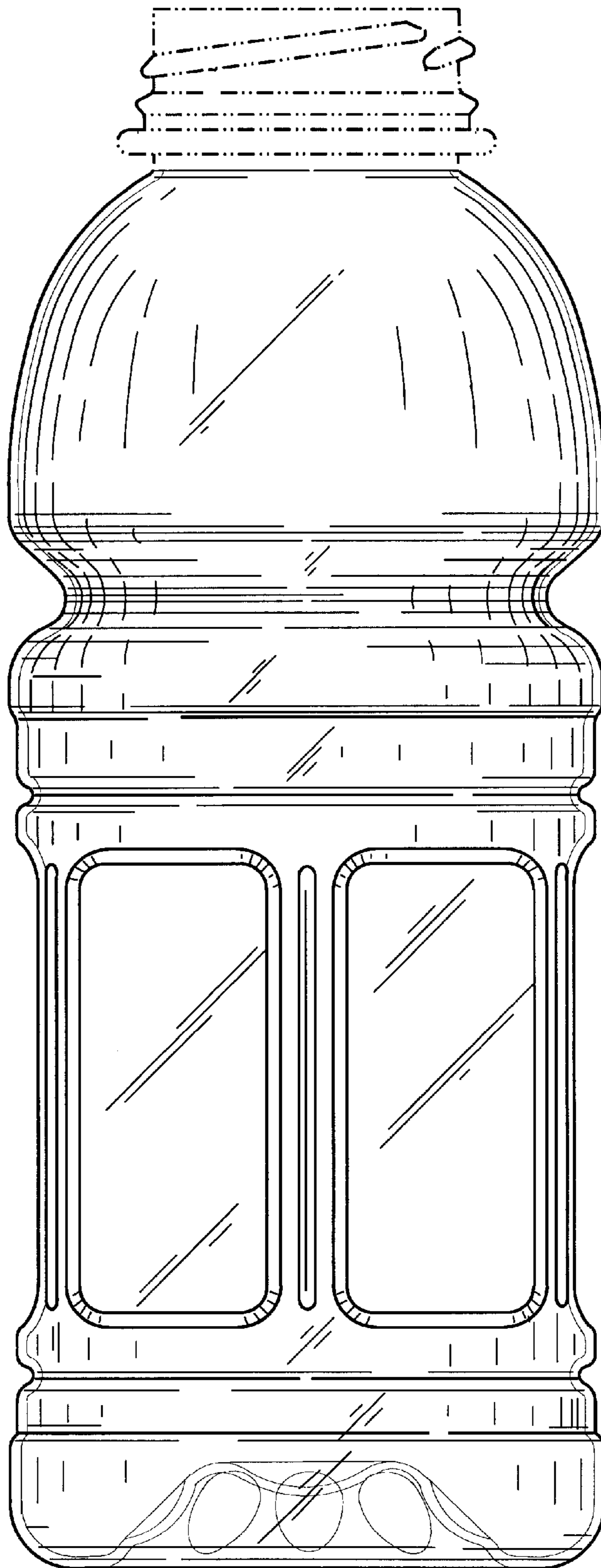


FIG. 3



FIG. 4

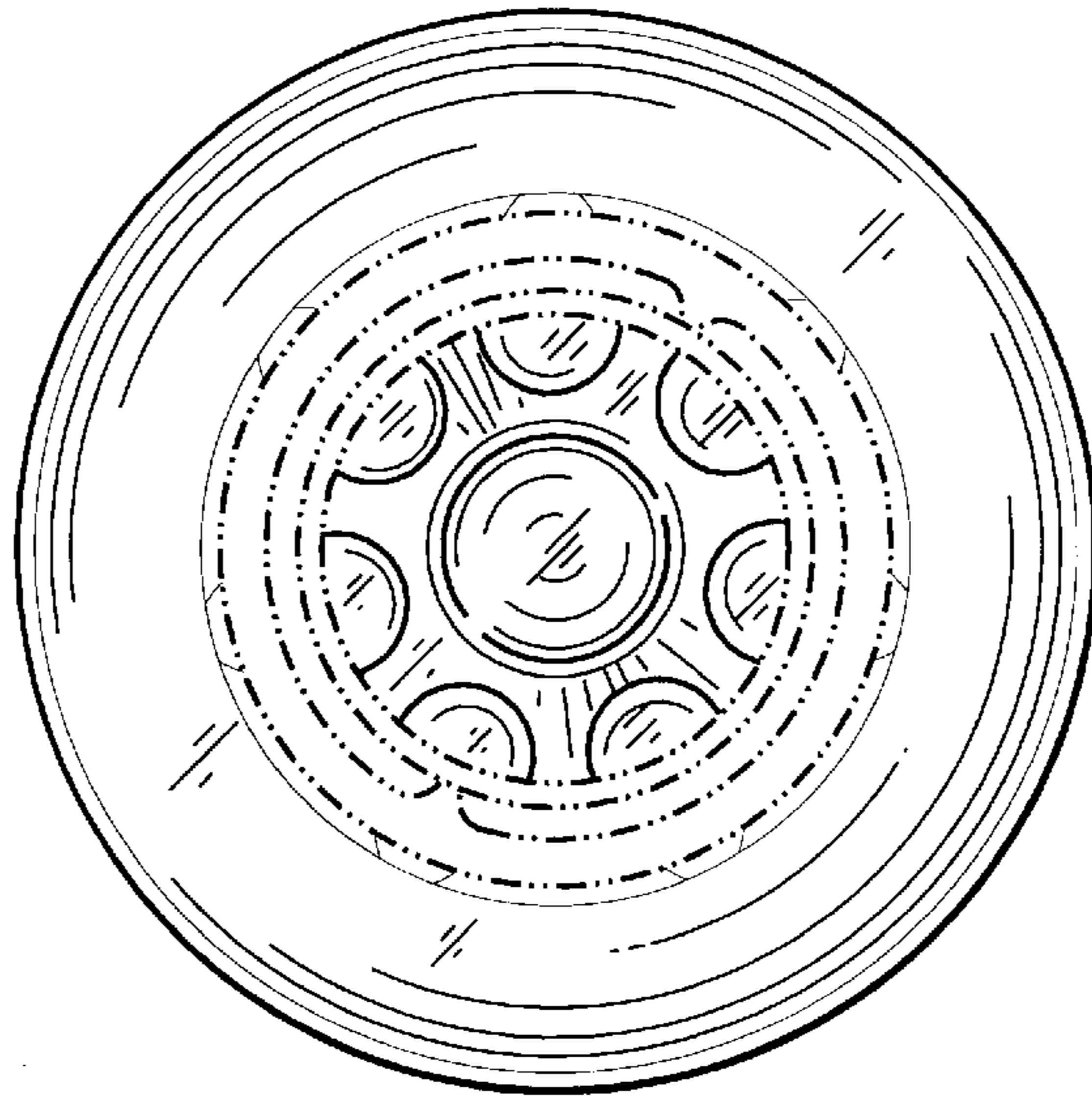


FIG. 5

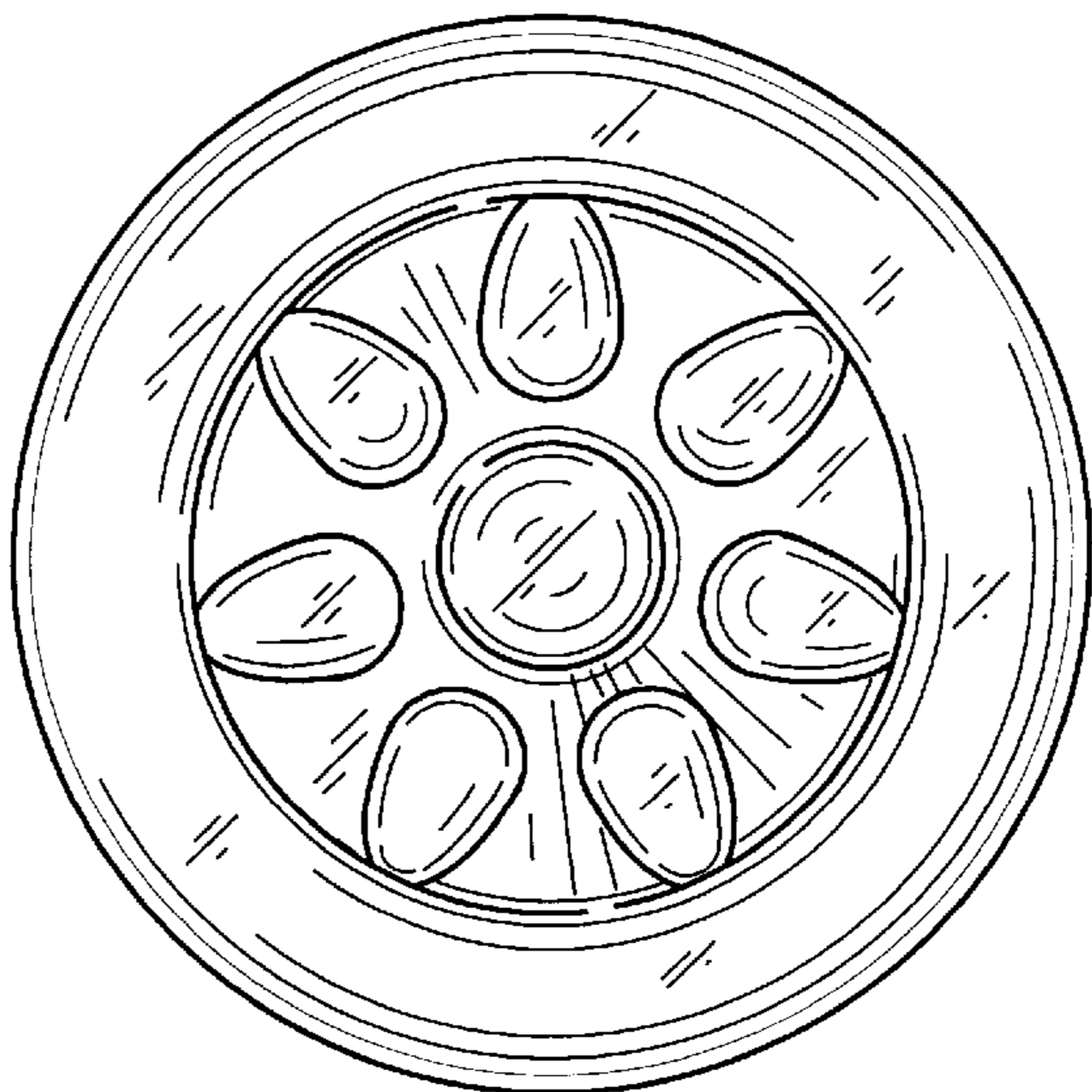


FIG. 6

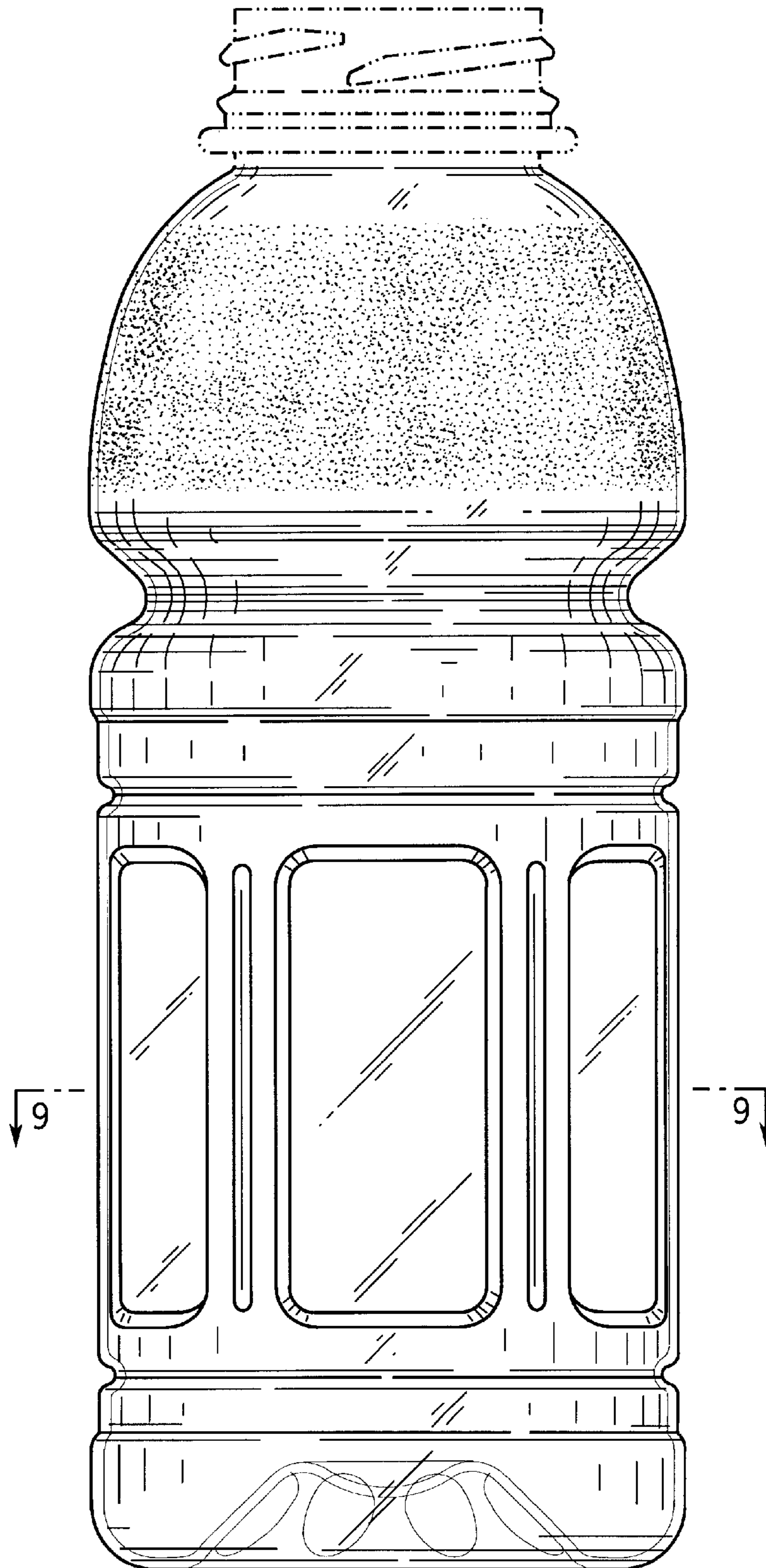


FIG. 7

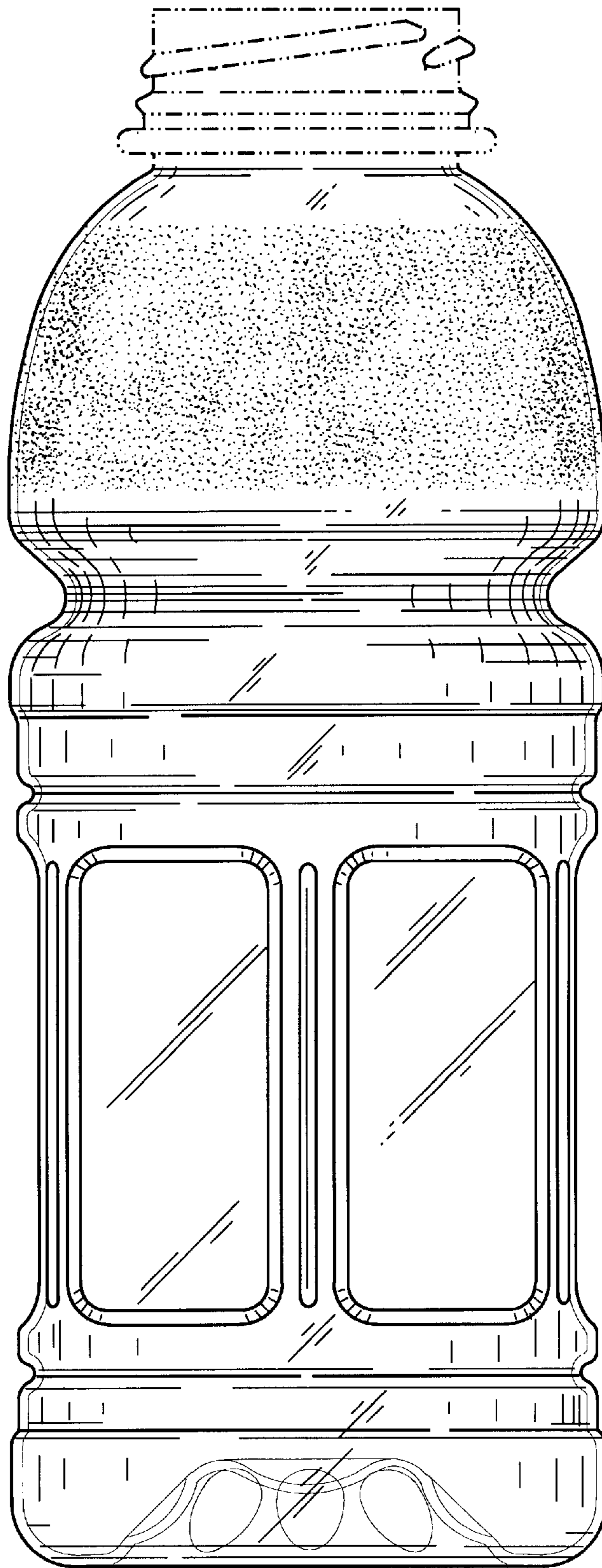


FIG. 8

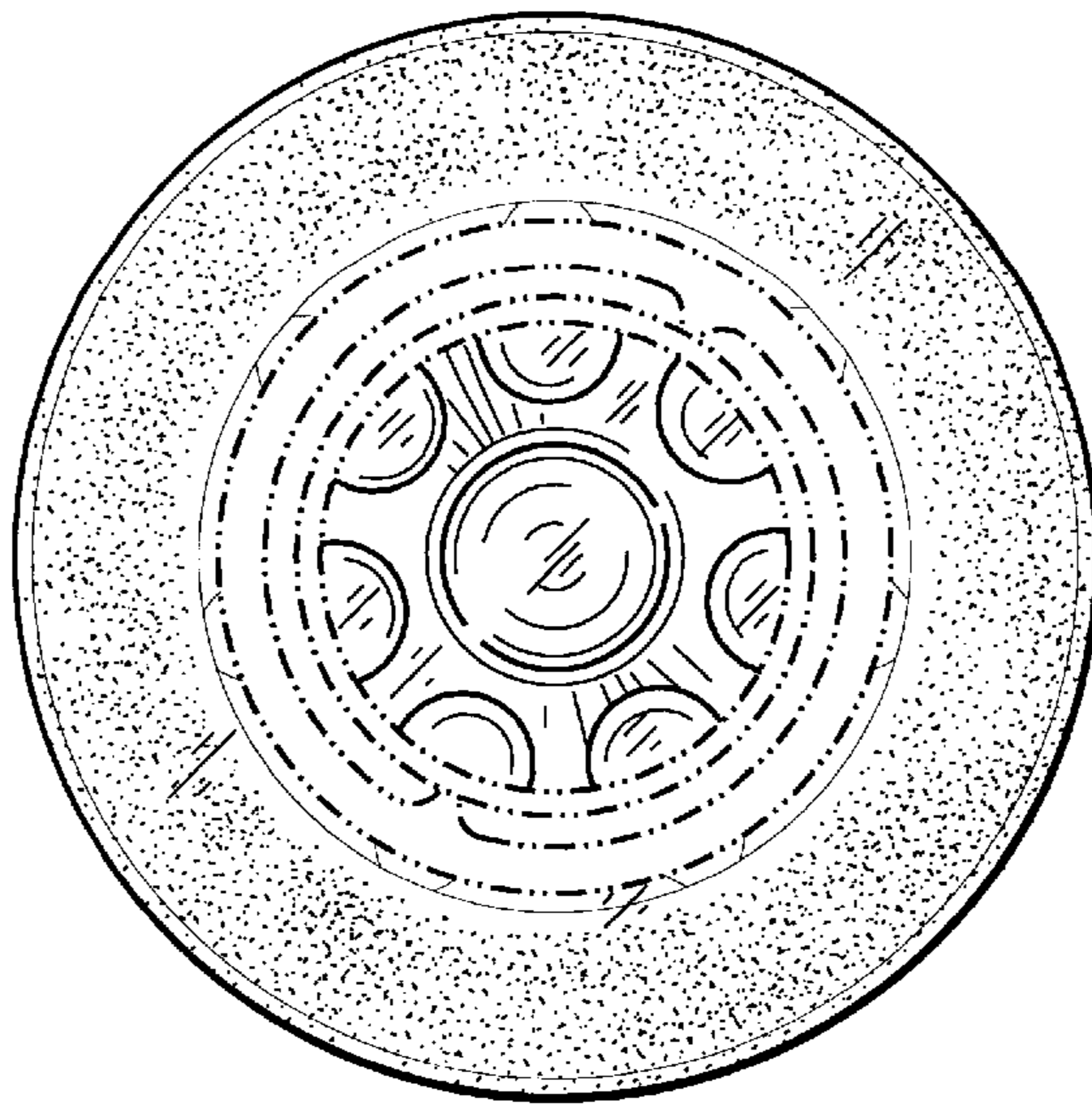


FIG. 9



FIG. 10

