



US00D445025S

(12) **United States Design Patent**  
**Humphrey**

(10) **Patent No.:** **US D445,025 S**

(45) **Date of Patent:** **\*\* Jul. 17, 2001**

(54) **PACKAGE DESIGN**

(75) **Inventor:** **Neill W. Humphrey**, El Dorado Hills, CA (US)

(73) **Assignee:** **Trade Source International**, El Dorado Hills, CA (US)

(\*\*) **Term:** **14 Years**

(21) **Appl. No.:** **29/133,228**

(22) **Filed:** **Nov. 22, 2000**

(51) **LOC (7) Cl.** ..... **09-03**

(52) **U.S. Cl.** ..... **D9/345**

(58) **Field of Search** ..... D9/341, 345-347, D9/414-415, 424-425, 429; 206/321, 418, 305, 471, 776

(56) **References Cited**

**U.S. PATENT DOCUMENTS**

|            |   |         |                   |       |         |
|------------|---|---------|-------------------|-------|---------|
| D. 280,884 | * | 10/1985 | Holewinski et al. | ..... | D9/345  |
| D. 430,015 | * | 8/2000  | Himbert           | ..... | D9/345  |
| 3,259,236  | * | 7/1966  | Cole              | ..... | 206/776 |

|           |   |         |               |       |         |
|-----------|---|---------|---------------|-------|---------|
| 4,375,262 | * | 3/1983  | Hrenyo        | ..... | 206/418 |
| 5,064,056 | * | 11/1991 | Gresh         | ..... | 206/321 |
| 5,695,057 | * | 12/1997 | Sullivan      | ..... | 206/418 |
| 5,813,546 | * | 9/1998  | Wilson et al. | ..... | 206/471 |
| 5,890,593 | * | 4/1999  | Humphrey      | ..... | 206/471 |
| 5,947,291 | * | 9/1999  | Humphrey      | ..... | 206/471 |

\* cited by examiner

*Primary Examiner*—Raphael Barkai

(74) *Attorney, Agent, or Firm*—Oppenheimer, Wolff & Donnelly, LLP

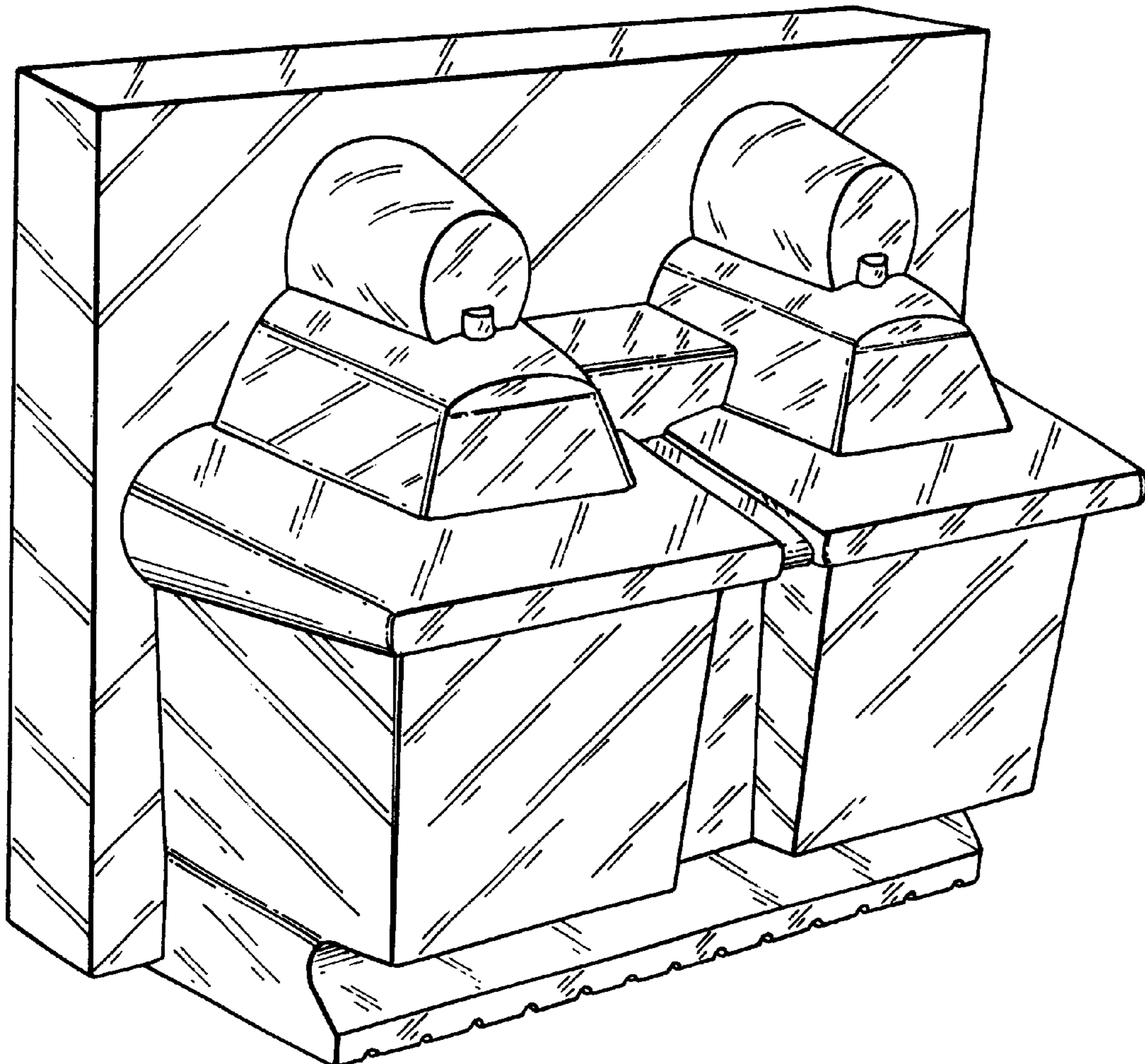
(57) **CLAIM**

The ornamental design for a package design, as shown and described.

**DESCRIPTION**

FIG. 1 is a front perspective view of a package design showing my new design; FIG. 2 is a bottom perspective view thereof; FIG. 3 is a front elevational view thereof; and, FIG. 4 is a right side elevational view thereof, the left side being a mirror image thereof.

**1 Claim, 2 Drawing Sheets**



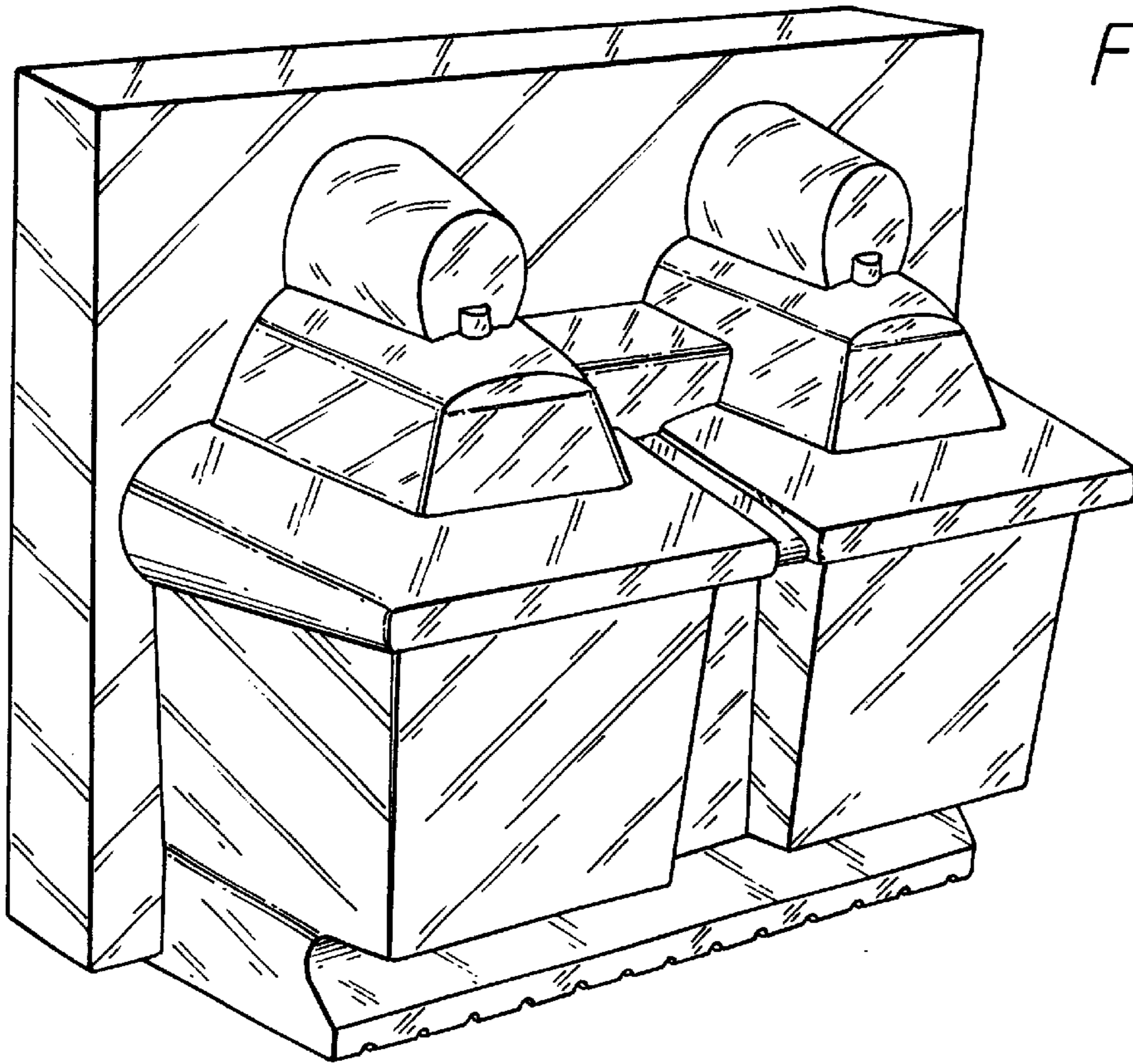


FIG. 1

FIG. 2

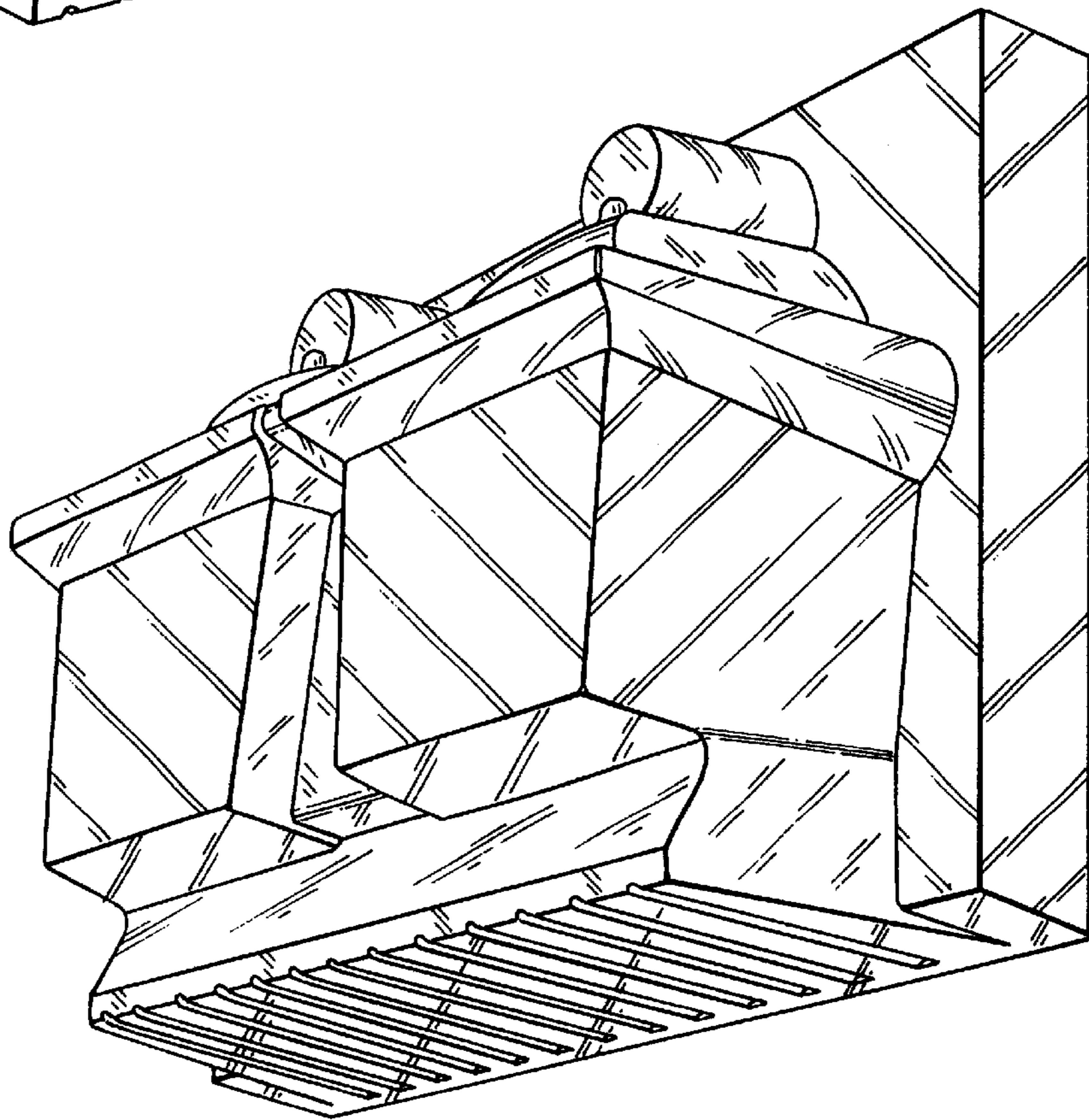




FIG. 4

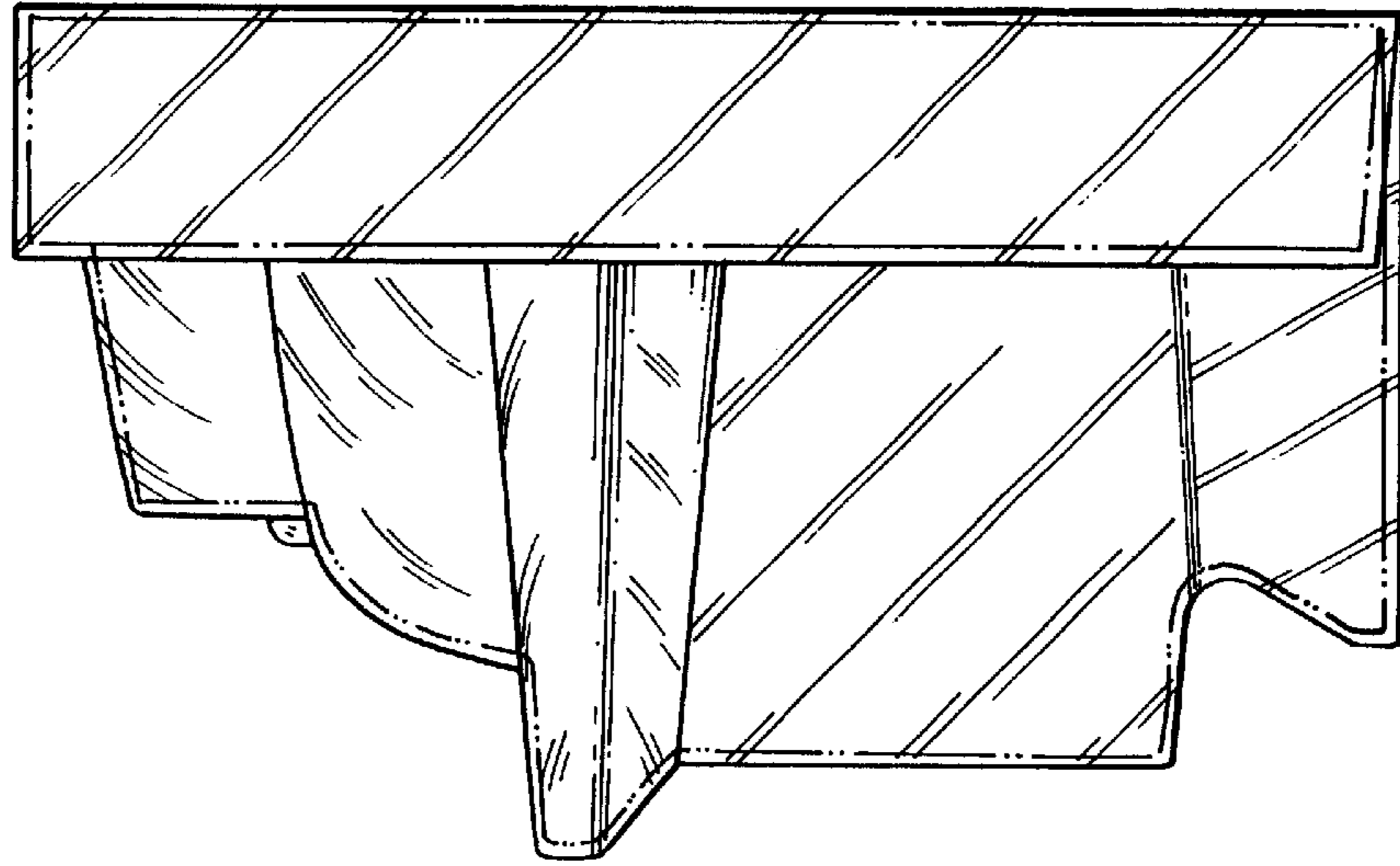


FIG. 3

