



US00D445020S

(12) **United States Design Patent**  
**Smith et al.**

(10) **Patent No.:** **US D445,020 S**

(45) **Date of Patent:** **\*\* Jul. 17, 2001**

(54) **SNAP HOOK**

(75) Inventors: **Keith A. Smith**, Burlington; **Steve B. Levay**, Font Hill; **Bob Claus**, Welland, all of (CA)

(73) Assignee: **Haun Drop Forge Co. Ltd.**, Welland (CA)

(\*\*) Term: **14 Years**

(21) Appl. No.: **29/126,491**

(22) Filed: **Jul. 19, 2000**

(51) **LOC (7) Cl.** ..... **08-05**

(52) **U.S. Cl.** ..... **D8/367**

(58) **Field of Search** ..... D8/367, 382; 24/600.1, 24/600.2, 82.21, 82.2

(56) **References Cited**

**U.S. PATENT DOCUMENTS**

5,257,441	*	11/1993	Barlow	.....	24/599.5
5,735,025	*	4/1998	Bailey	.....	24/600.1
5,896,630	*	4/1999	Smith et al.	.....	24/600.1

**OTHER PUBLICATIONS**

Peninsula Safety Components catalogue, Oct. 1999, pp. 1-1, 1-2, 1-3 and 2-1.

\* cited by examiner

*Primary Examiner*—Holly Baynham

(74) *Attorney, Agent, or Firm*—Merek & Voorhees

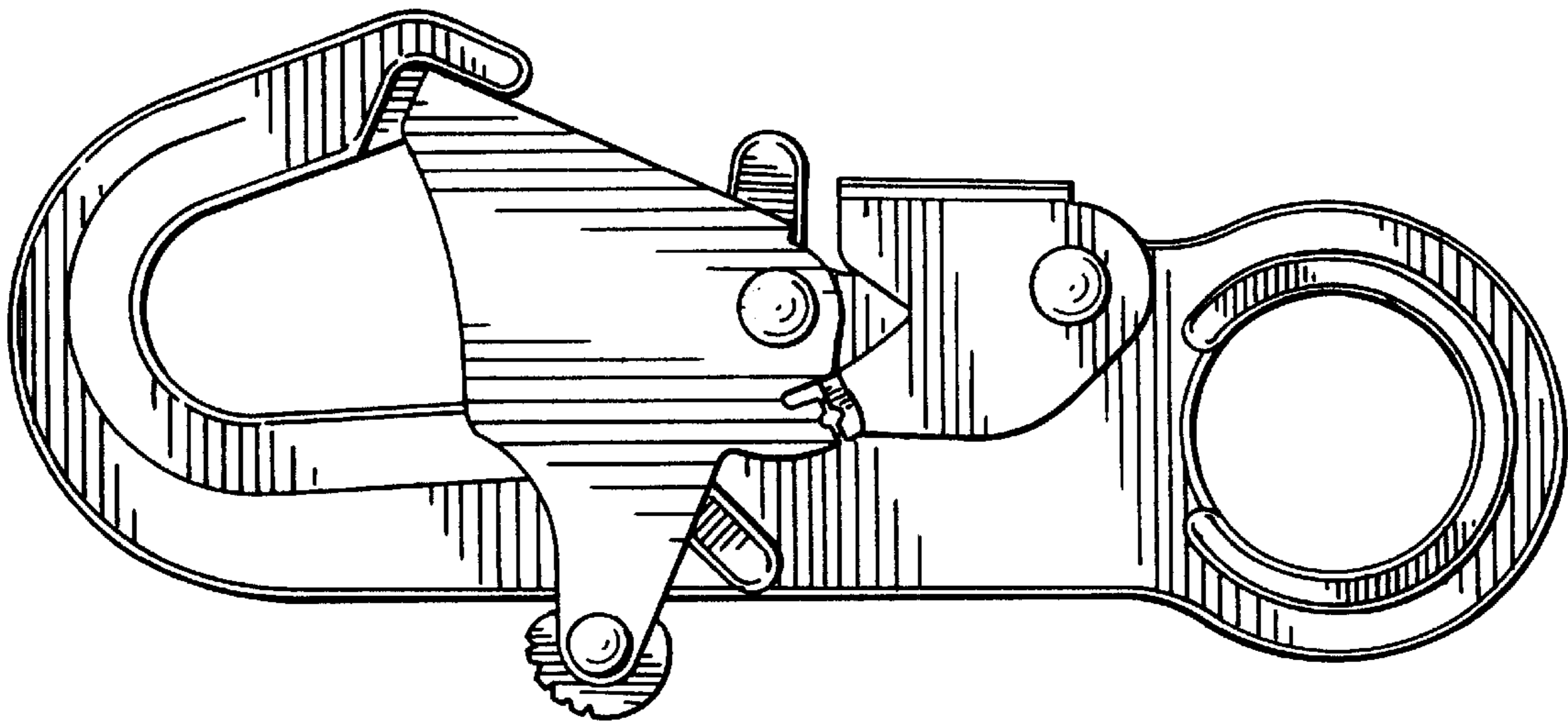
(57) **CLAIM**

The ornamental design for a snap hook, as shown and described.

**DESCRIPTION**

FIG. 1 is a side elevational view of the snap hook, the opposite side being a mirror image thereof; FIG. 2 is a right end view thereof; FIG. 3 is a left end view thereof; FIG. 4 is a top plan view thereof; FIG. 5 is a bottom view thereof; FIG. 6 is a side elevational view of the snap hook with its locking lever in an open position; and, FIG. 7 is a side elevational view of the snap hook with its gate keeper and locking lever in an open position.

**1 Claim, 4 Drawing Sheets**



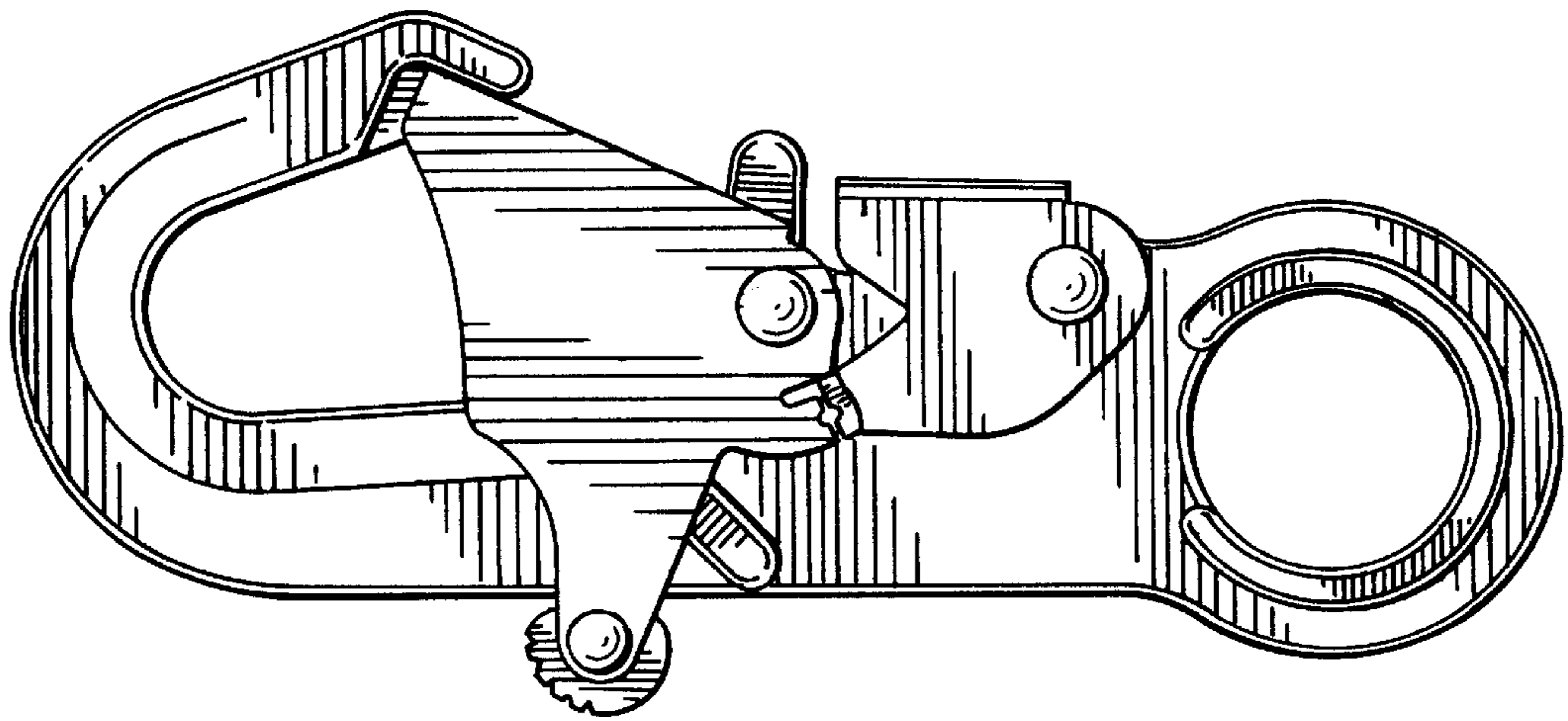


FIG. 1

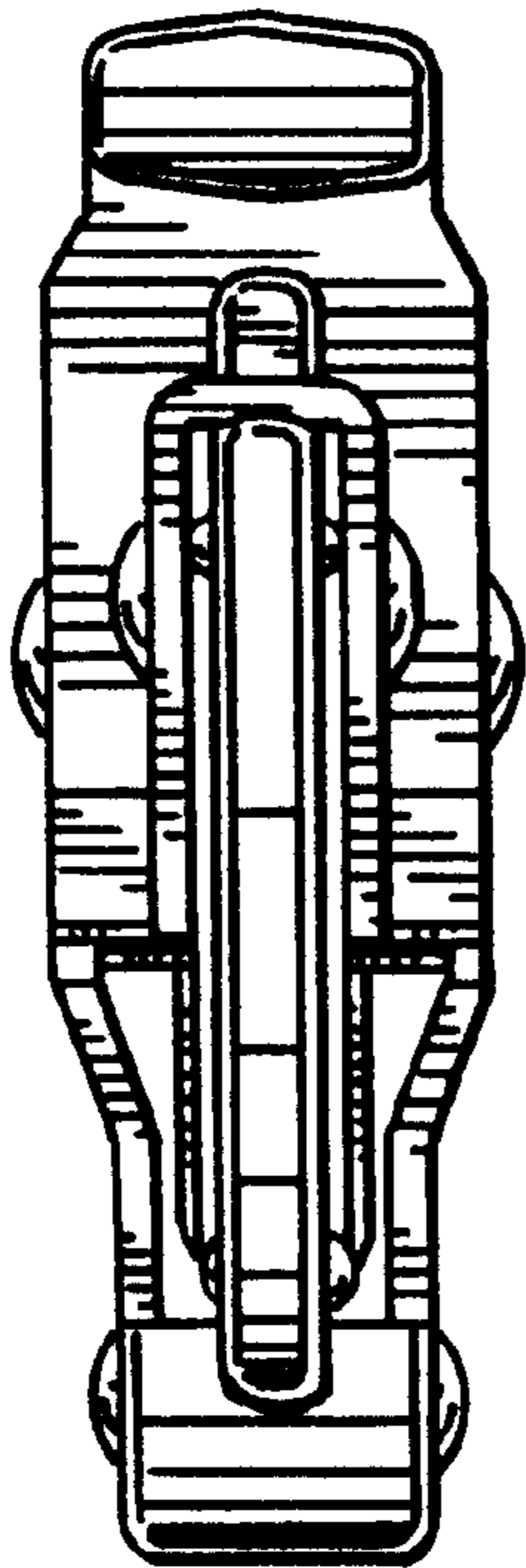


FIG. 2

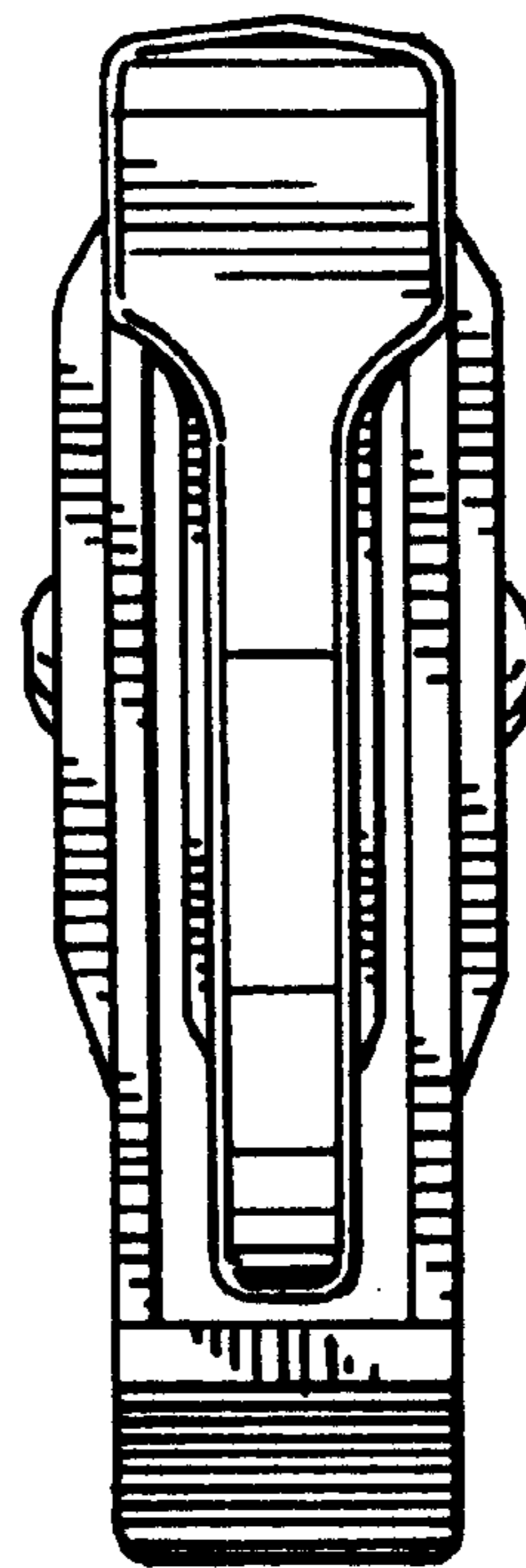


FIG. 3

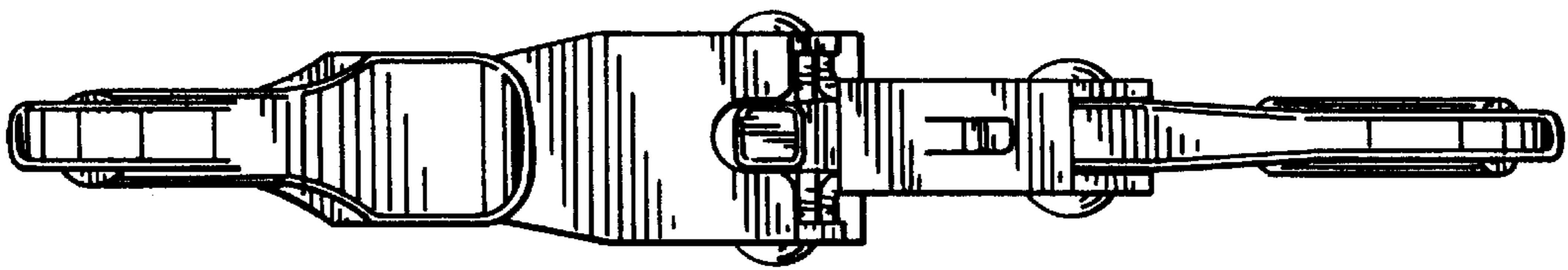


FIG. 4

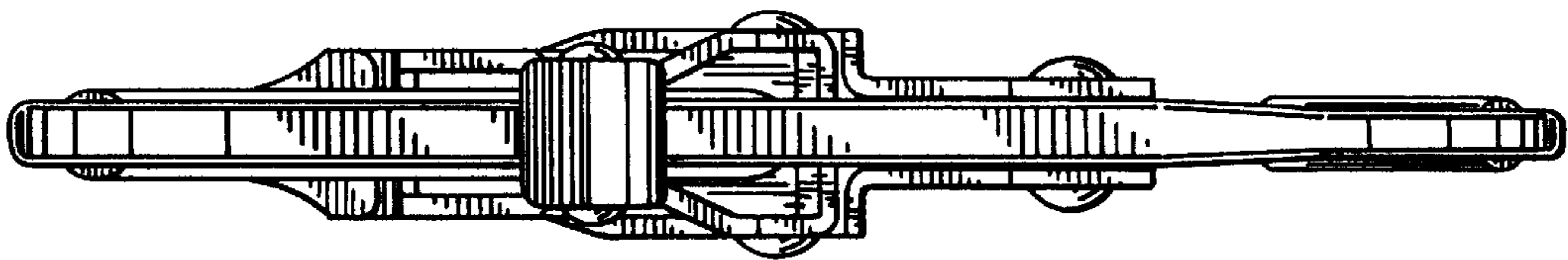


FIG. 5

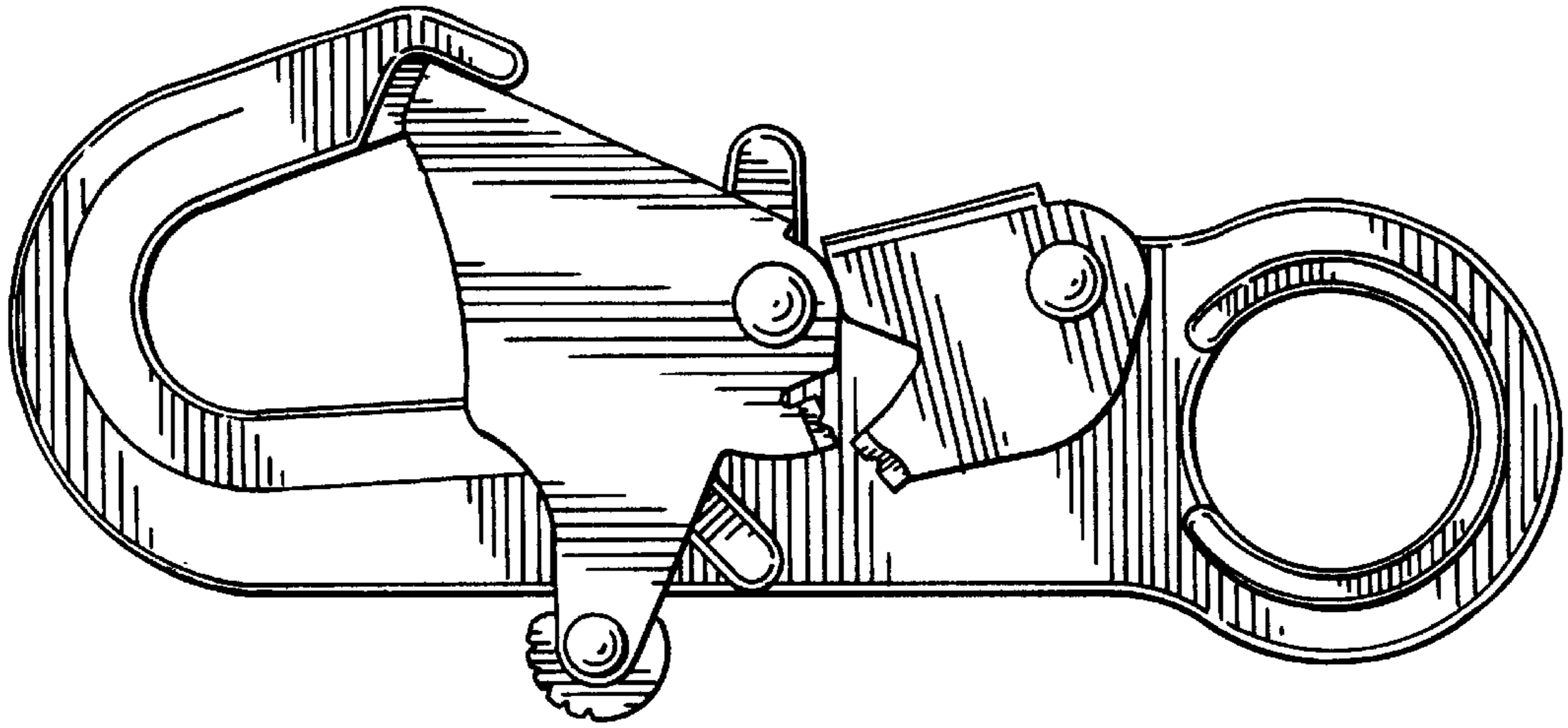


FIG. 6

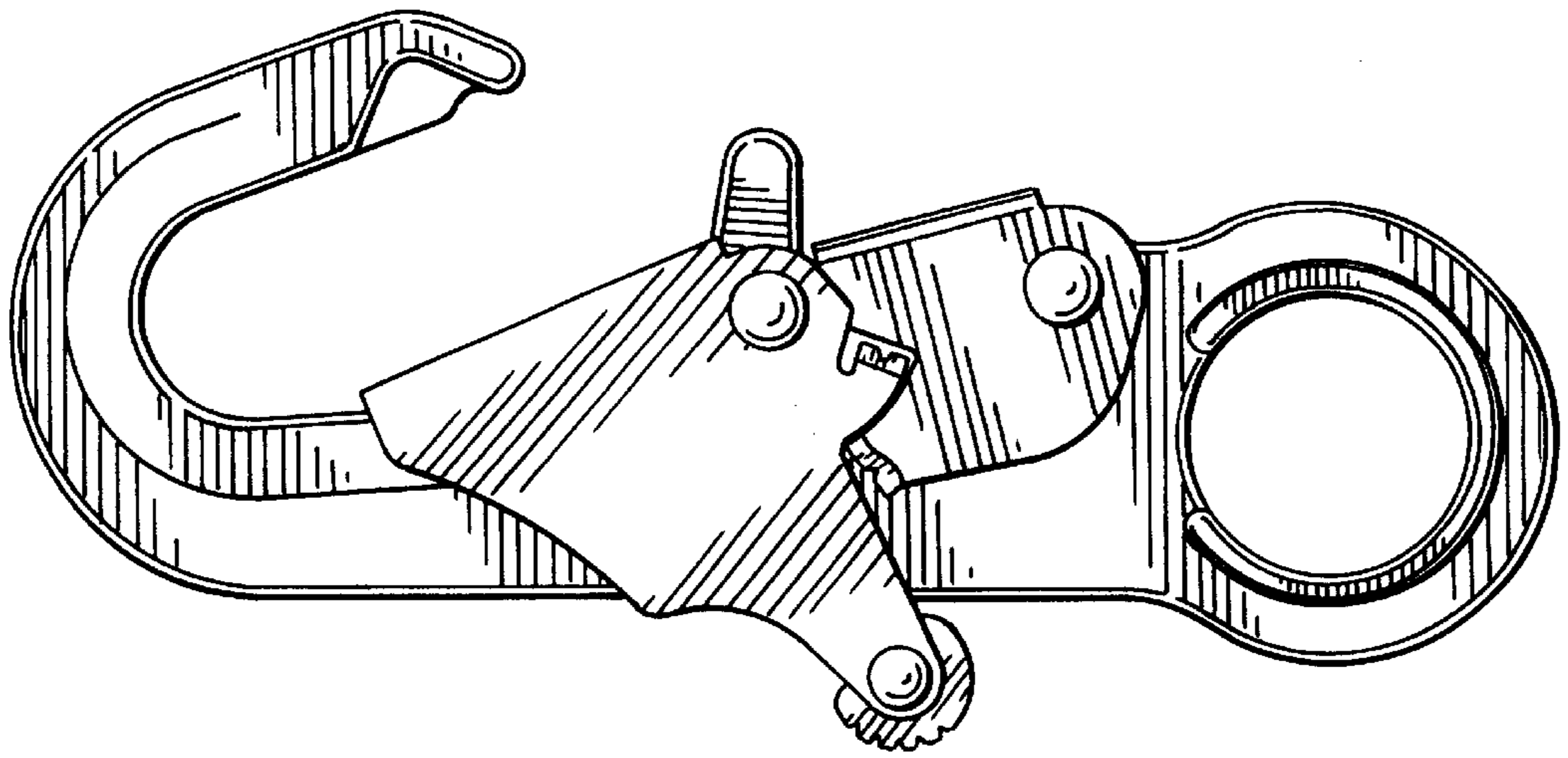


FIG. 7