



US00D445019S

(12) **United States Design Patent**
Vitetta

(10) **Patent No.:** **US D445,019 S**

(45) **Date of Patent:** **** Jul. 17, 2001**

(54) **HANGER BRACKET**

(76) Inventor: **John Vitetta**, 8060 Lawson Road, Unit #13, Milton, Ontario (CA), L9T 5C5

(**) Term: **14 Years**

(21) Appl. No.: **29/135,013**

(22) Filed: **Jan. 4, 2001**

(30) **Foreign Application Priority Data**

Jul. 13, 2000 (CA) 2000-1878

(51) **LOC (7) Cl.** **08-05**

(52) **U.S. Cl.** **D8/366; D8/349**

(58) **Field of Search** D8/349, 354, 366, D8/371; 428/100, 99, 121; 248/200.1, 300, 229.1, 222.41, 500, 72.2, 62, 316.7, 217.2, 217.3, 205.1, 247, 309.1, 317; 403/353, 319; 52/715, 385

(56) **References Cited**

U.S. PATENT DOCUMENTS

D. 302,239 * 7/1989 Russell et al. D8/366
D. 375,718 * 11/1996 Lazzeroni et al. D8/349

D. 387,970 * 12/1997 Ensien D8/349
D. 394,862 * 6/1998 Fischer D8/349
D. 398,219 * 9/1998 Campman D8/363
4,139,174 * 2/1979 Olson 248/317
5,624,045 * 4/1997 Highsmith et al. 211/192
5,704,495 * 1/1998 Bale et al. 211/71.01

* cited by examiner

Primary Examiner—Pamela Burgess

(74) *Attorney, Agent, or Firm*—Arne I. Fors

(57) **CLAIM**

The ornamental design is for a “hanger bracket”, as shown and described.

DESCRIPTION

FIG. 1 is a front perspective view of a hanger bracket showing my new design;
FIG. 2 is a top view thereof;
FIG. 3 is a front elevation thereof;
FIG. 4 is a side elevation viewed from the left;
FIG. 5 is a side elevation viewed from the right;
FIG. 6 is a rear elevation thereof; and,
FIG. 7 is a bottom view.

1 Claim, 1 Drawing Sheet

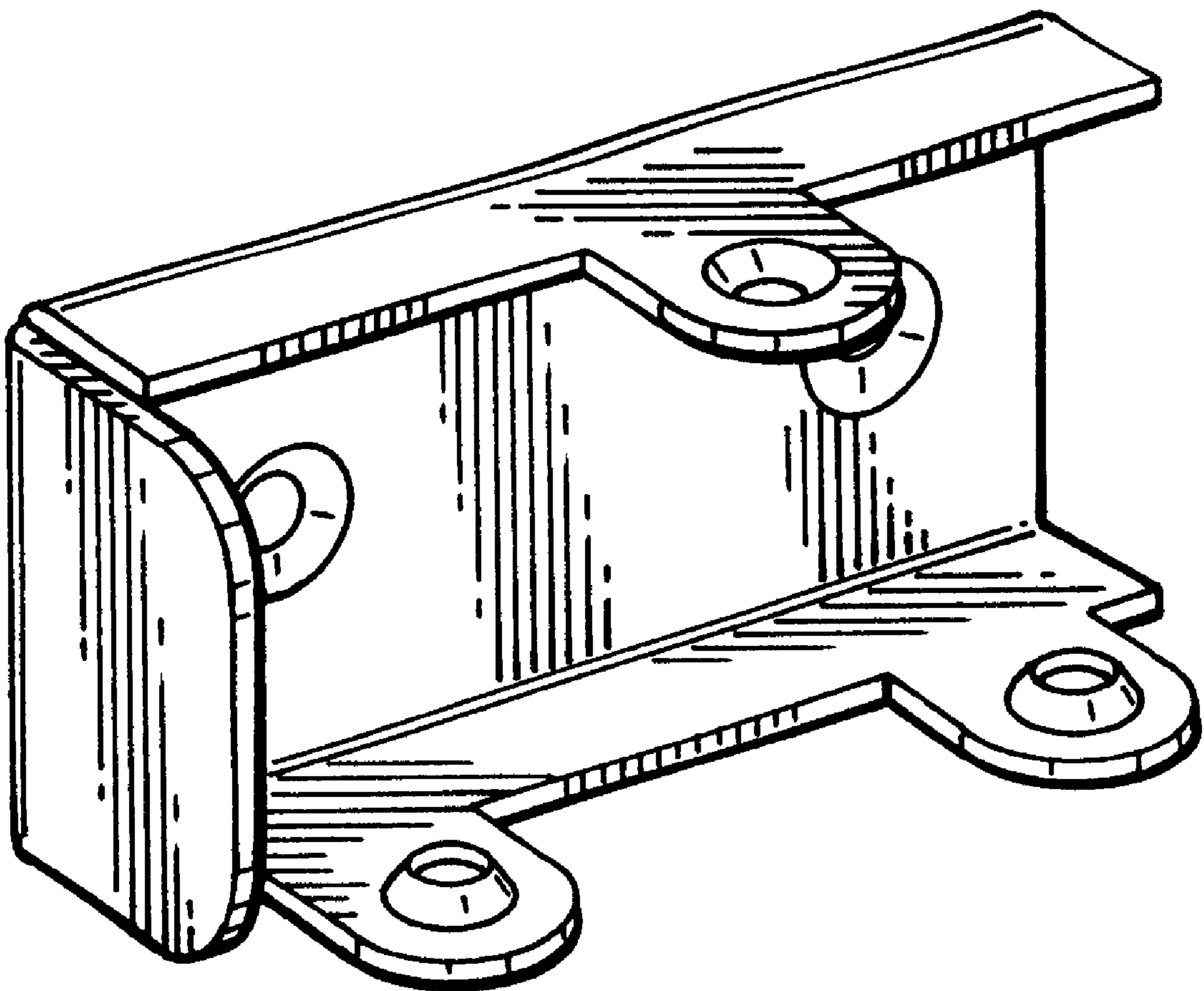


FIG.1.

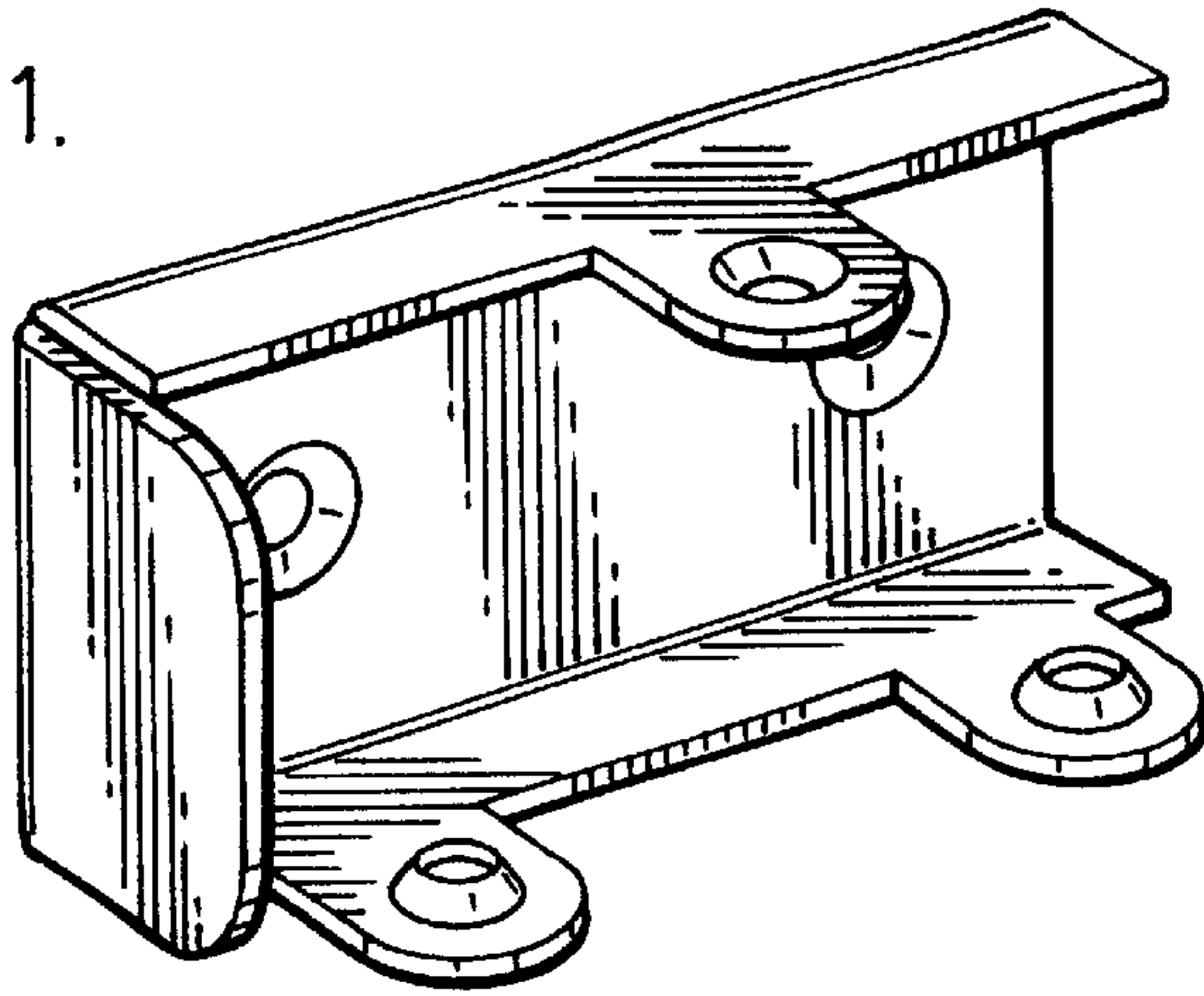


FIG.2.

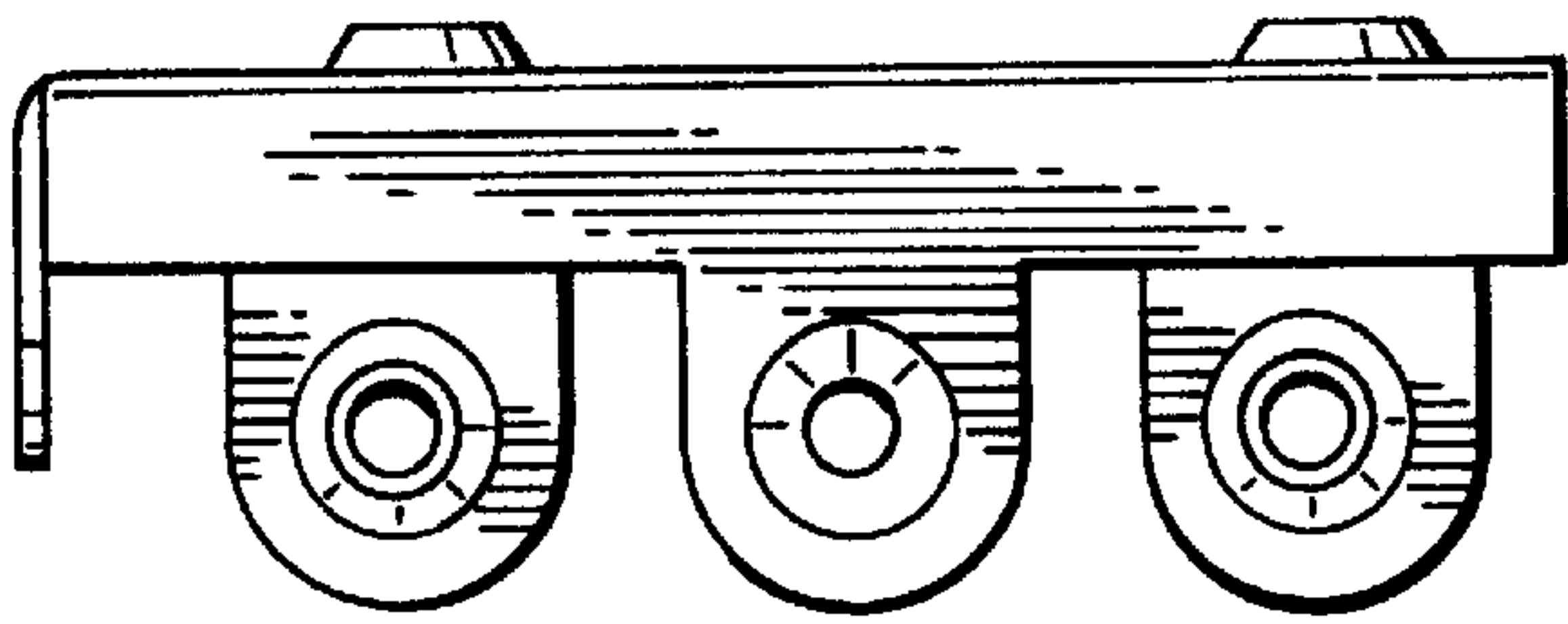


FIG.3.

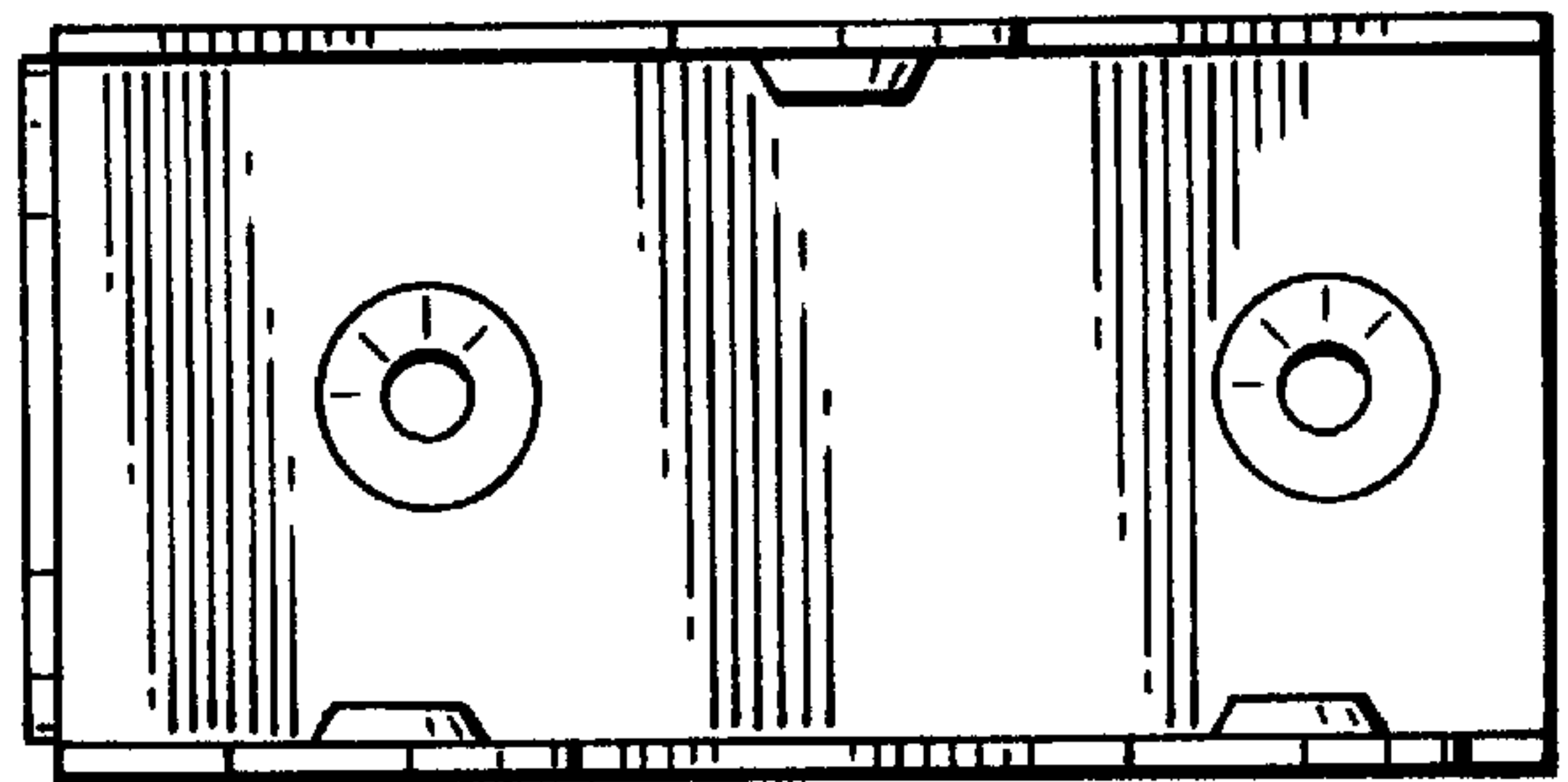


FIG.4.

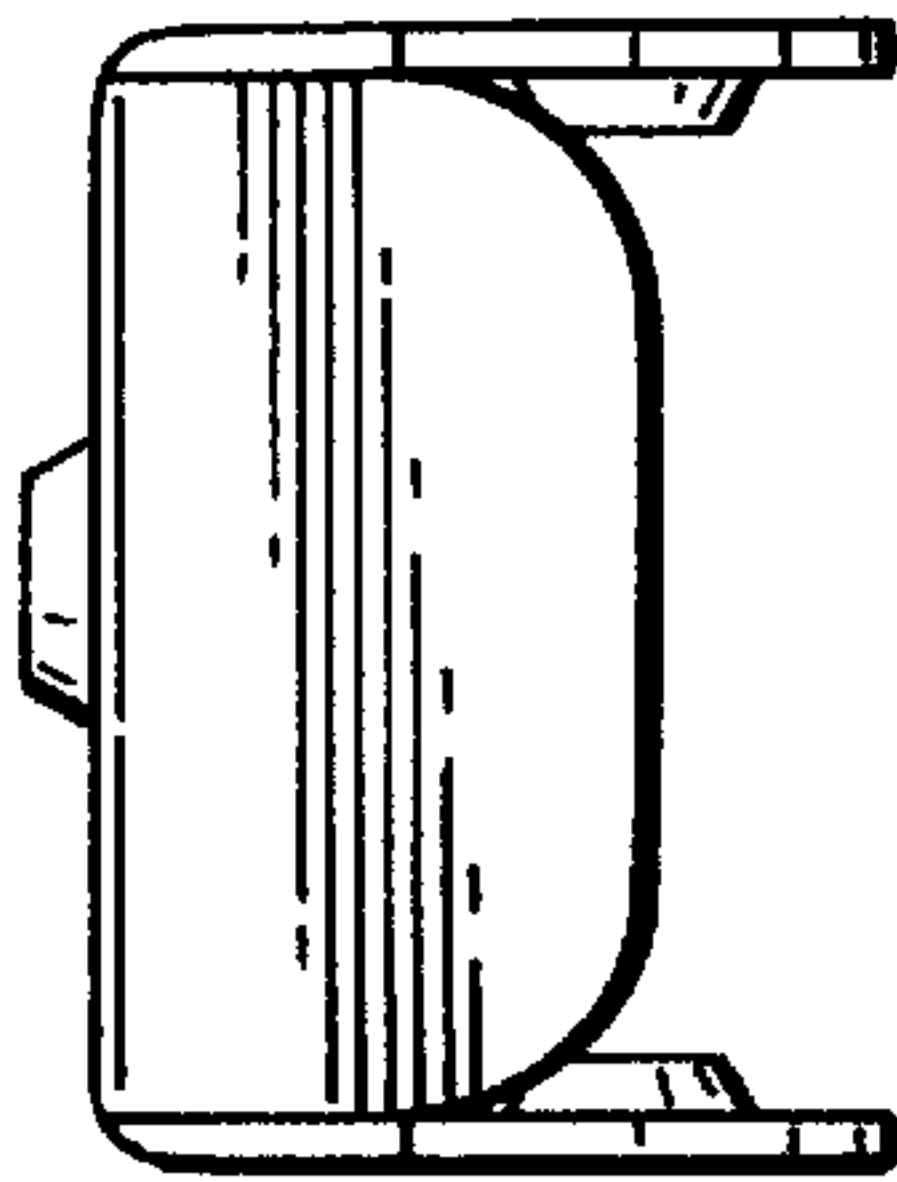


FIG.5.

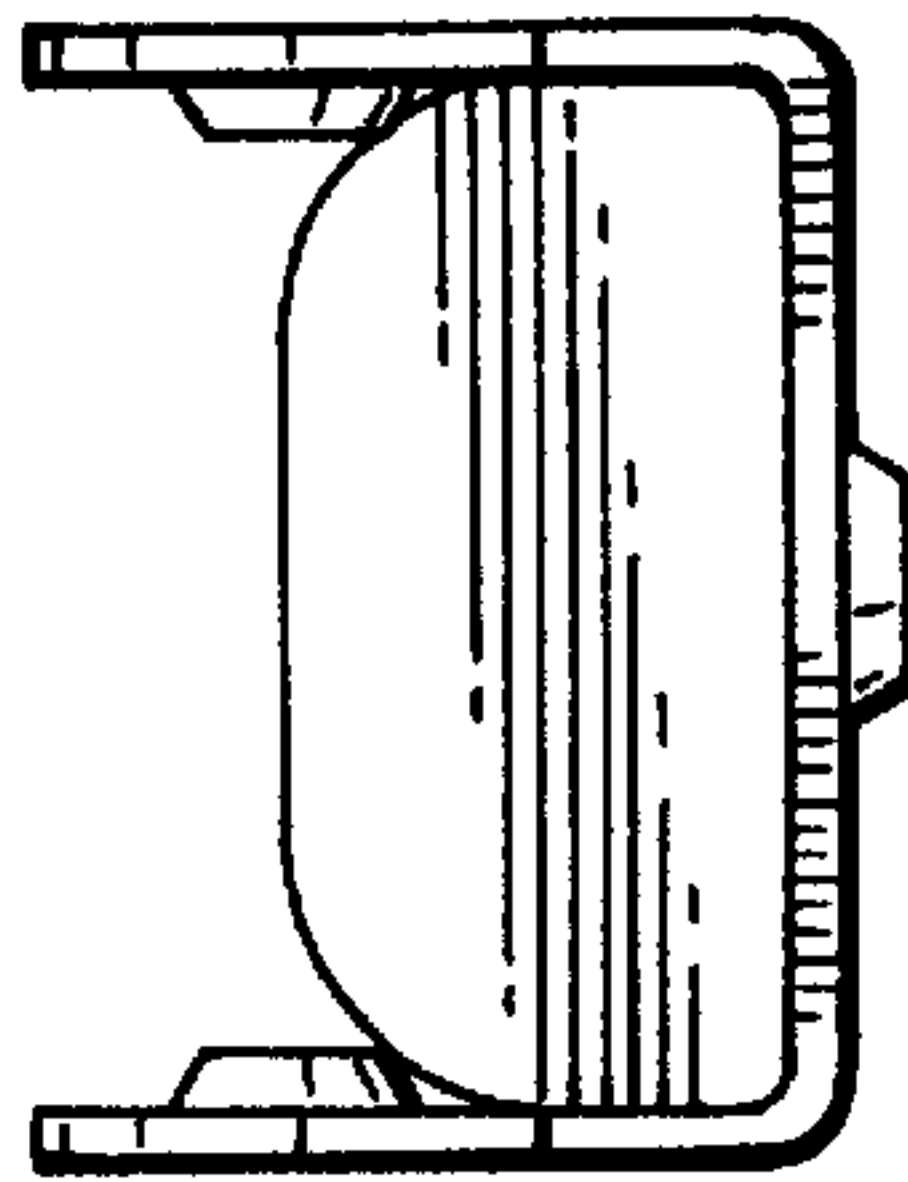


FIG.6.

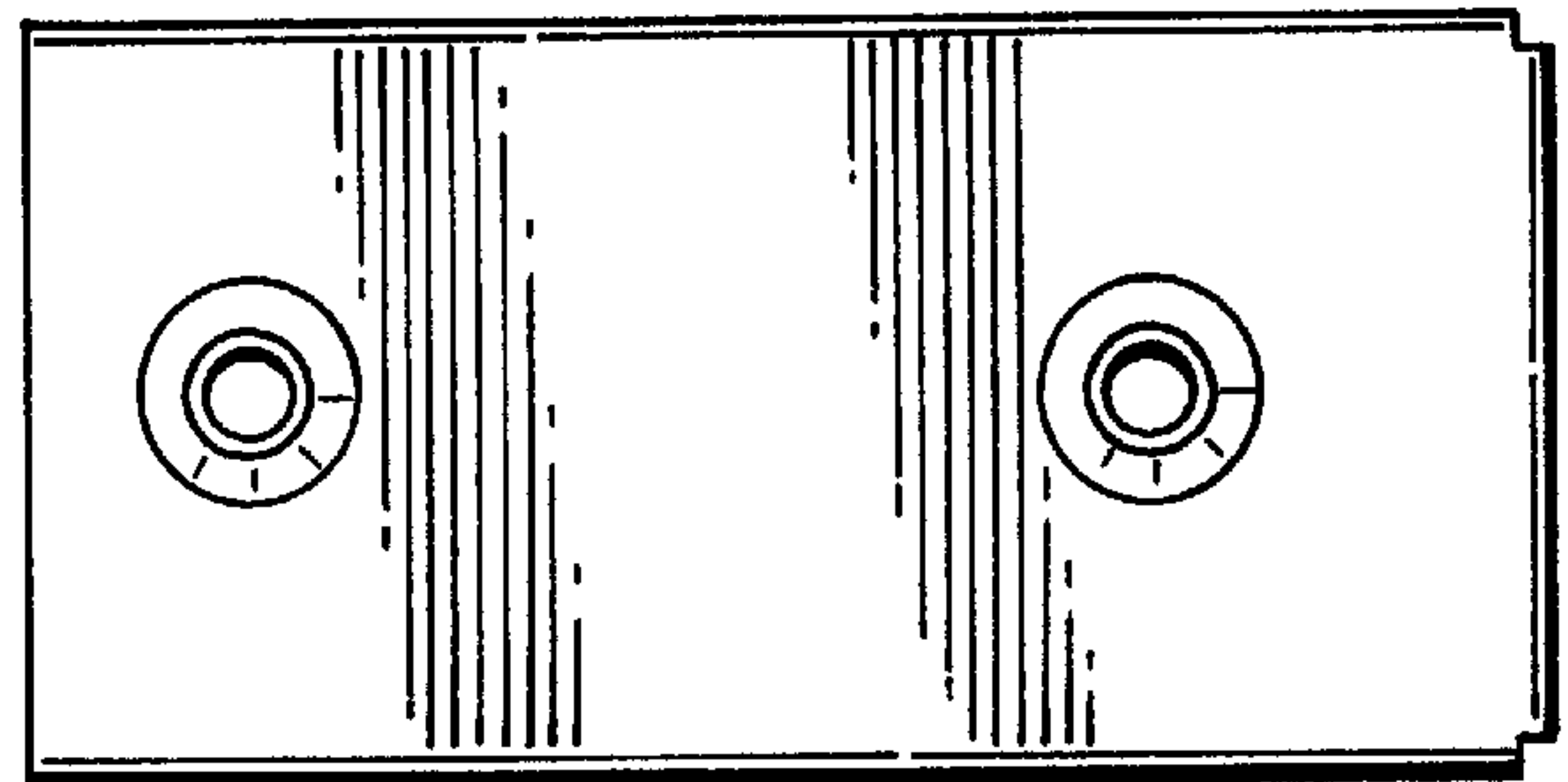


FIG.7.

